



US00D683146S

(12) **United States Design Patent**  
**Selig**

(10) **Patent No.:** **US D683,146 S**

(45) **Date of Patent:** **\*\* May 28, 2013**

(54) **PROPANE TANK BENCH**

(76) Inventor: **Colin Selig**, Walnut Creek, CA (US)

(\*\*) Term: **14 Years**

(21) Appl. No.: **29/430,454**

(22) Filed: **Aug. 25, 2012**

(51) **LOC (9) Cl.** ..... **06-01**

(52) **U.S. Cl.**  
USPC ..... **D6/358**

(58) **Field of Classification Search**

USPC ..... D6/334–336, 351, 358, 371, 372,  
D6/373, 374, 375, 376, 379, 380, 381, 716,  
D6/716.1, 716.2, 716.3, 716.4; 297/181,  
297/232, 448.1, 448.2, 451.3, 452.29

See application file for complete search history.

(56) **References Cited**

**U.S. PATENT DOCUMENTS**

D99,685 S *	5/1936	Stoll	.....	D6/381
D114,415 S *	4/1939	Stoll	.....	D6/381
D283,276 S *	4/1986	Mallison	.....	D6/371
D321,436 S *	11/1991	Paris	.....	D6/381
D404,926 S *	2/1999	Smith	.....	D6/334
D447,641 S *	9/2001	Hanagan	.....	D6/358

D452,780 S *	1/2002	Hanagan	.....	D6/358
D461,967 S *	8/2002	Hanagan	.....	D6/358
D530,937 S *	10/2006	Barrett	.....	D6/381

\* cited by examiner

*Primary Examiner* — Mimoso De

(74) *Attorney, Agent, or Firm* — Fidel Nwamu; Nwamu PC

(57) **CLAIM**

The ornamental design for a propane tank bench, as shown and described.

**DESCRIPTION**

FIG. 1 is a perspective view of the propane tank bench showing my new design;

FIG. 2 is a back perspective view of the propane tank bench showing my new design;

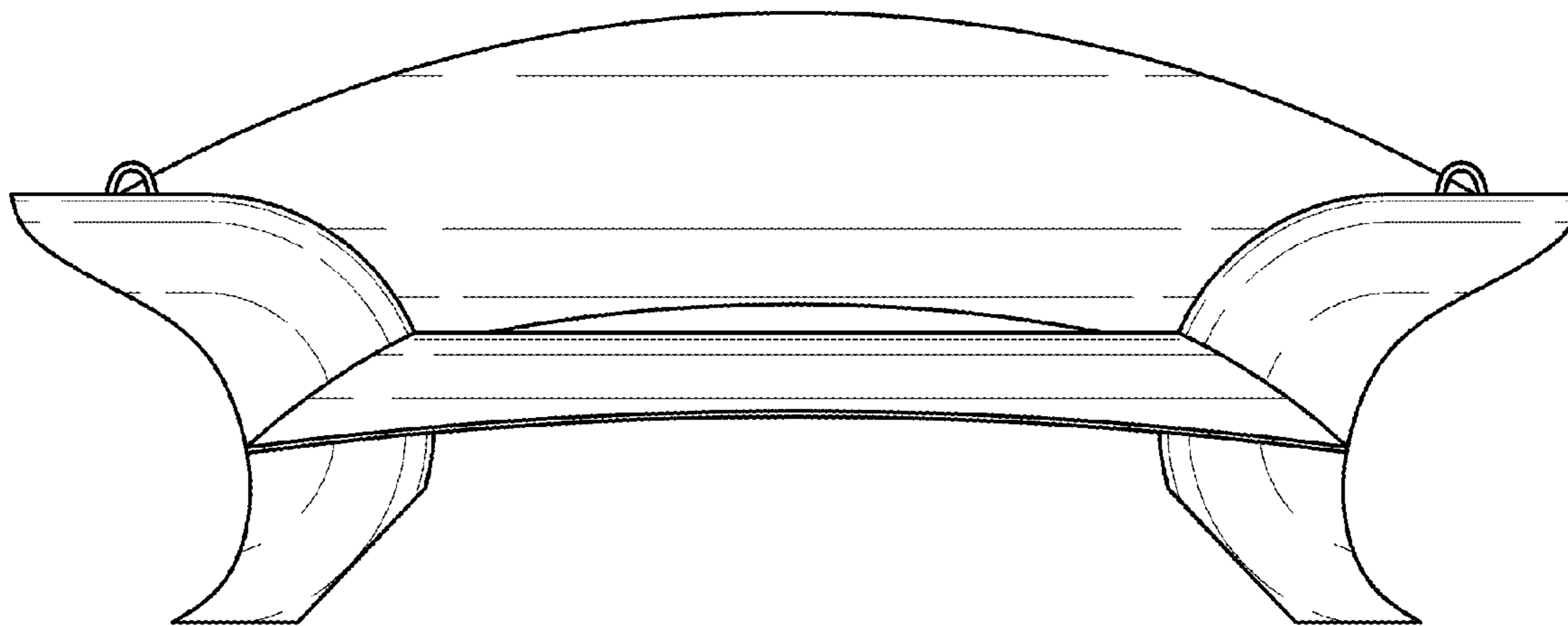
FIG. 3 is a front elevational view of the propane tank bench showing my new design;

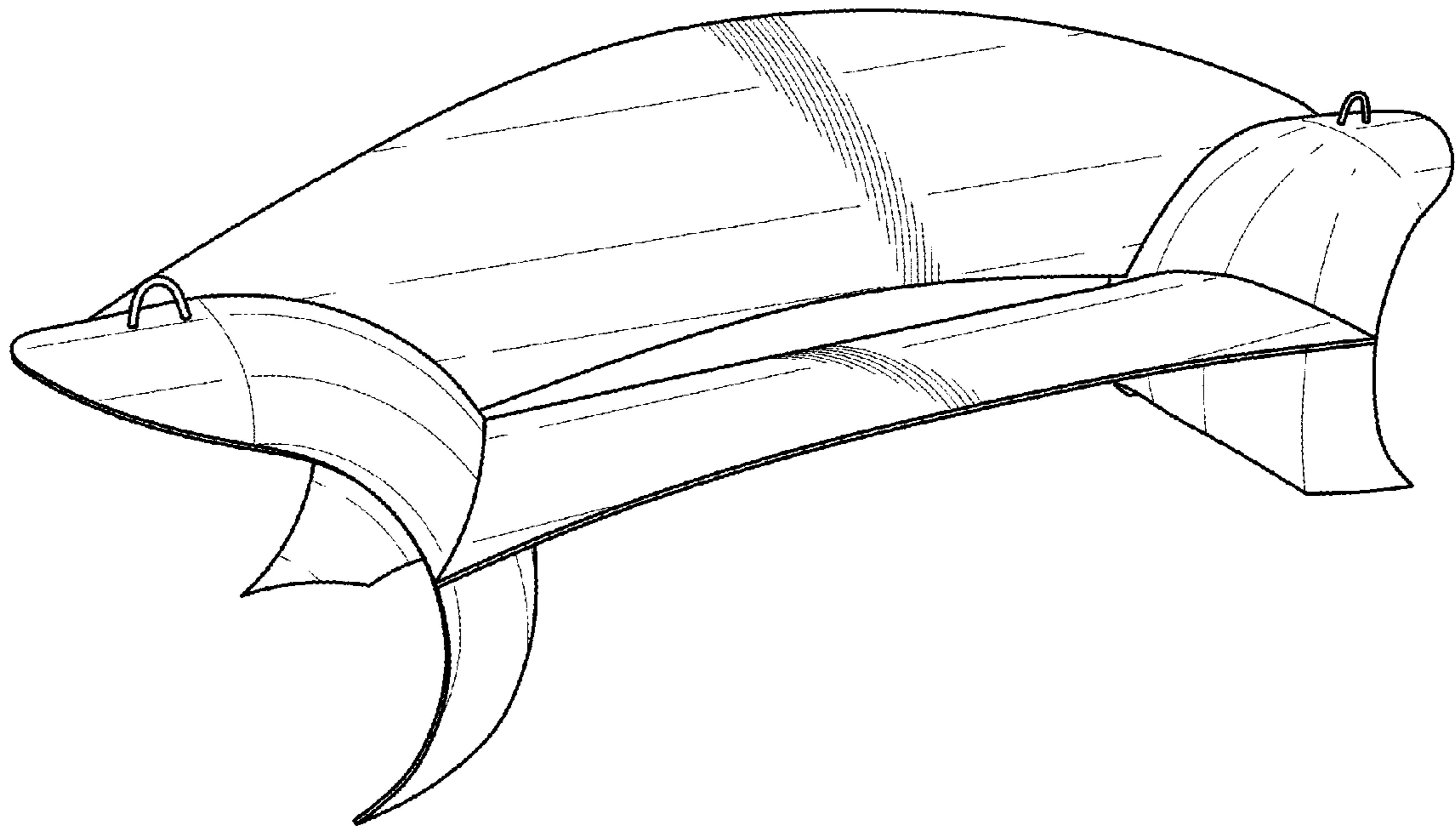
FIG. 4 is a side elevational view of the propane tank bench showing my new design;

FIG. 5 is a back elevational view of the propane tank bench showing my new design; and,

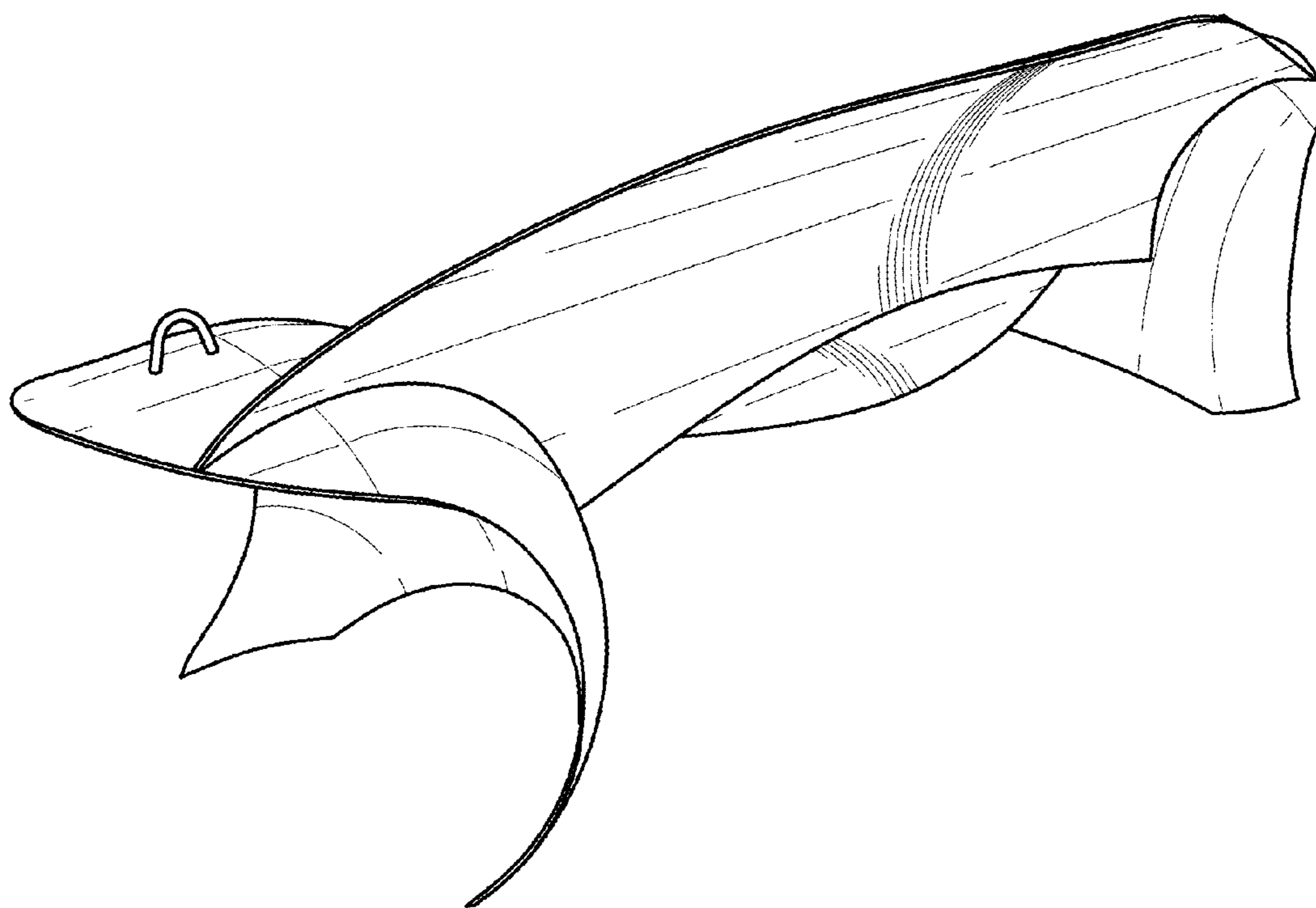
FIG. 6 is top plan view of the propane tank bench showing my new design.

**1 Claim, 4 Drawing Sheets**

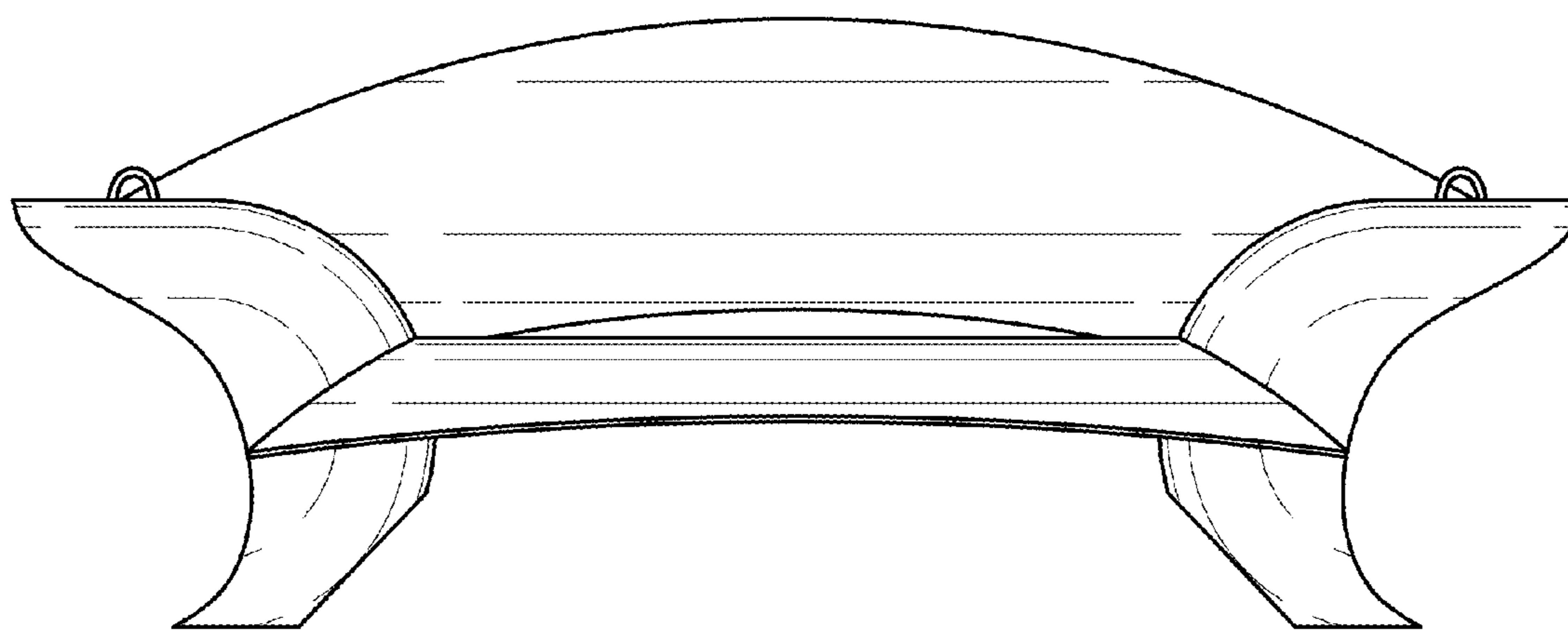




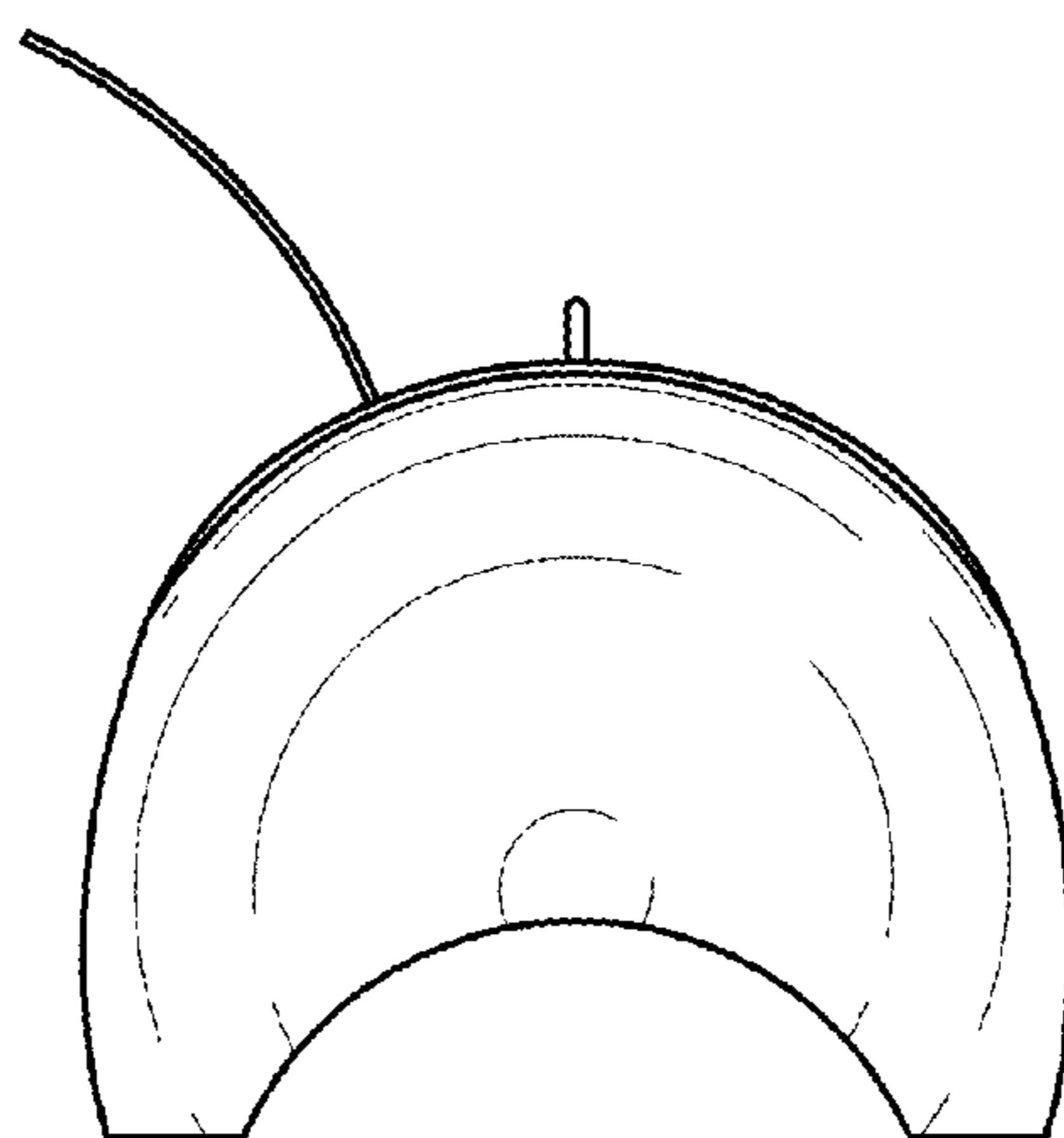
**FIG. 1**



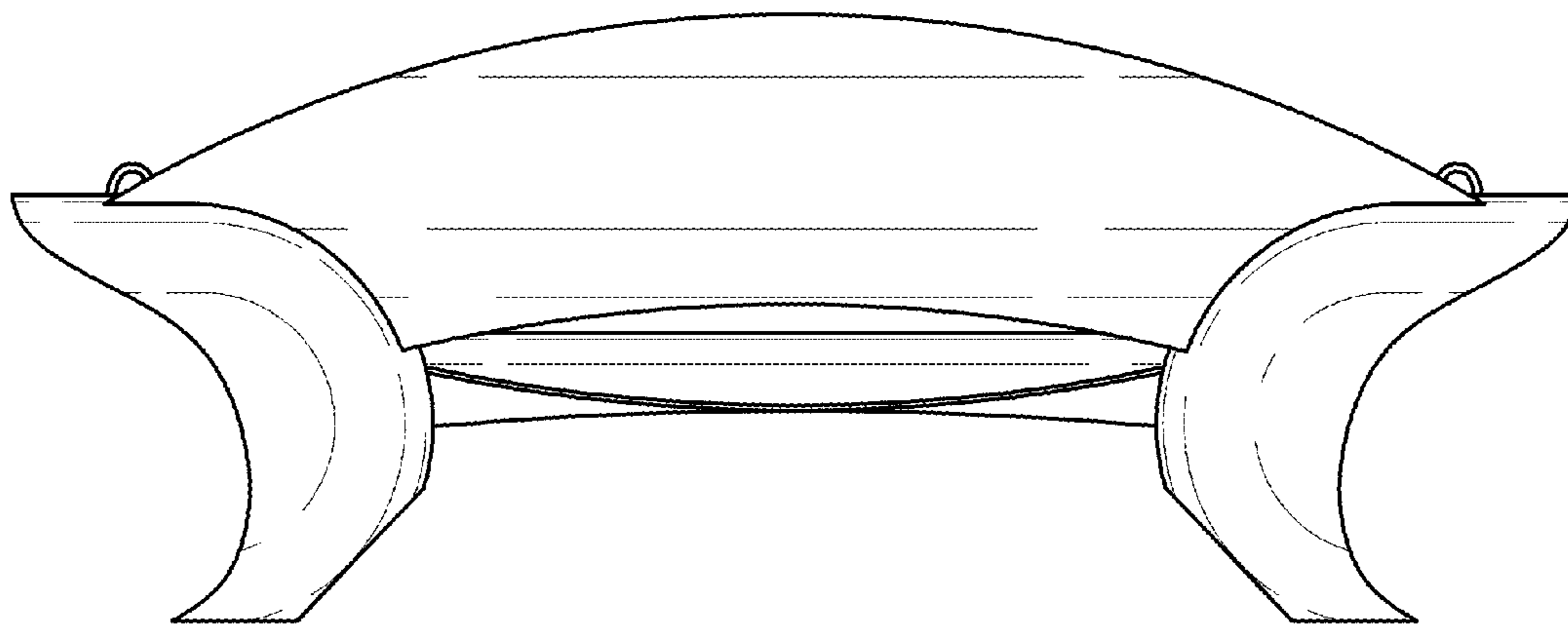
**FIG. 2**



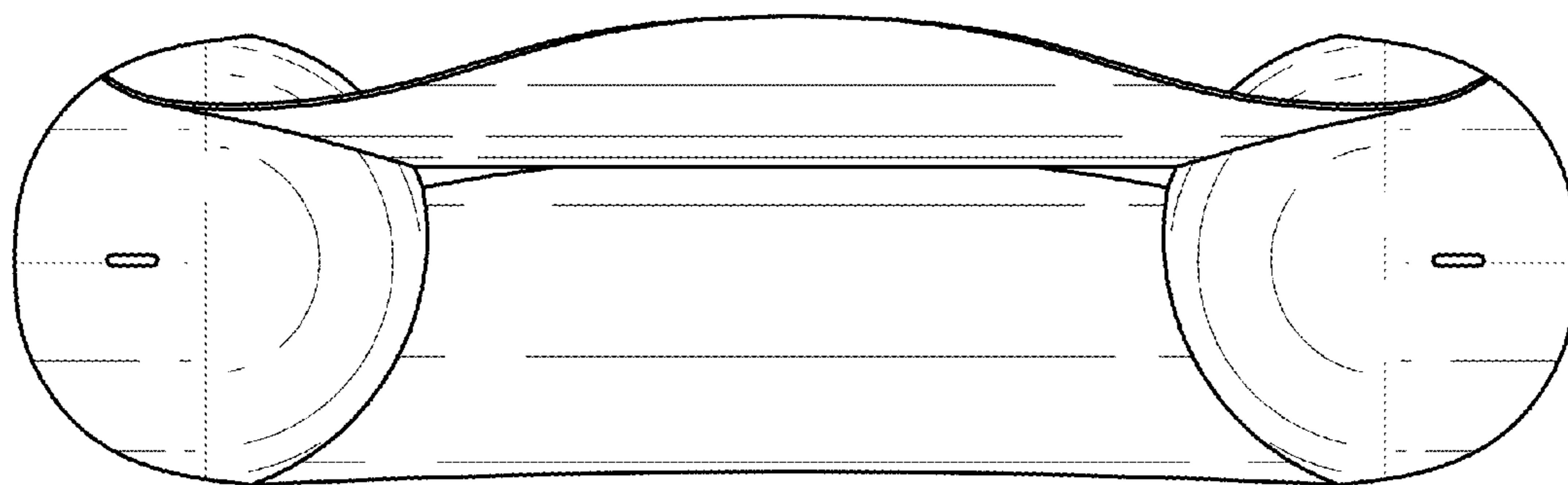
**FIG. 3**



**FIG. 4**



**FIG. 5**



**FIG. 6**