



US00D683145S

(12) **United States Design Patent**
Patel

(10) **Patent No.:** **US D683,145 S**

(45) **Date of Patent:** **** May 28, 2013**

(54) **COMBINED MODULAR STORAGE BLOCK SEAT AND TABLE**

(71) Applicant: **Espace Kübbii Inc.**, Vaudreuil-Dorion (CA)

(72) Inventor: **Anne Patel**, Vaudreuil-Dorion (CA)

(73) Assignee: **Espace Kübbii Inc.**, Vaudreuil-Dorion, Québec (CA)

(**) Term: **14 Years**

(21) Appl. No.: **29/433,773**

(22) Filed: **Oct. 4, 2012**

(51) **LOC (9) Cl.** **06-01**

(52) **U.S. Cl.**
USPC **D6/349**

(58) **Field of Classification Search**
USPC D6/334–336, 349–350, 382–383,
D6/475–479, 491–492, 503; 211/42, 188;
108/59, 65–66; 312/107–108, 257.1, 258
See application file for complete search history.

(56) **References Cited**

U.S. PATENT DOCUMENTS

| | | | | | | |
|-----------|---|---|---------|------------------|-------|---------|
| 3,851,194 | A | * | 11/1974 | Kawada | | 310/345 |
| 4,407,911 | A | * | 10/1983 | Hooke | | 429/94 |
| 5,197,899 | A | * | 3/1993 | Akeda | | 439/271 |
| 5,969,952 | A | * | 10/1999 | Hayashi et al. | | 361/774 |
| D566,427 | S | * | 4/2008 | McConnell et al. | | D6/475 |

| | | | | | | |
|--------------|----|---|---------|------------------|-------|---------|
| D566,430 | S | * | 4/2008 | Austin et al. | | D6/477 |
| D586,574 | S | * | 2/2009 | Gomree | | D6/350 |
| D592,889 | S | * | 5/2009 | Carter et al. | | D6/470 |
| D600,944 | S | * | 9/2009 | McConnell et al. | | D6/449 |
| D654,693 | S | * | 2/2012 | Freeman | | D3/318 |
| D672,167 | S | * | 12/2012 | Dantus et al. | | D6/683 |
| 2003/0010738 | A1 | * | 1/2003 | Hsia et al. | | 211/188 |

* cited by examiner

Primary Examiner — Kelley Donnelly

(74) *Attorney, Agent, or Firm* — Norton Rose Canada LLP

(57) **CLAIM**

I claim the design for an combined modular storage block seat and table, as shown and described.

DESCRIPTION

FIG. 1 is a perspective view of a combined modular storage block seat and table in accordance with a first embodiment of my new design;

FIG. 2 is a front view thereof, the rear view being a mirror image;

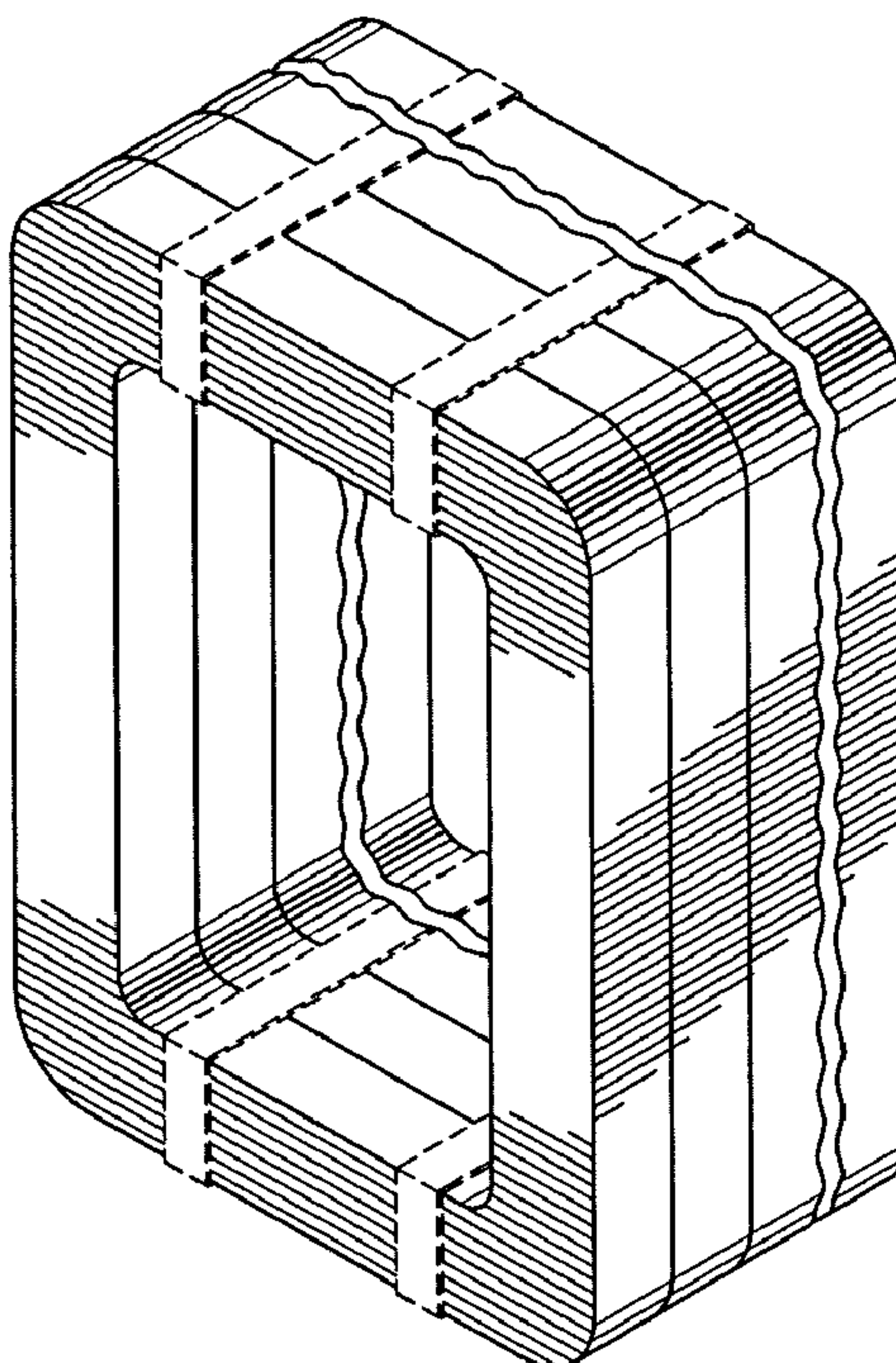
FIG. 3 is a top view thereof; the bottom view being a mirror image;

FIG. 4 is a left side view thereof; the right side view being a mirror image; and,

FIG. 5 is a perspective view of a second embodiment of a combined modular storage block seat and table of my new design but with a finite length.

The broken line portions form no part of the claimed design. The break lines shown in FIGS. 1, 3, and 4 are not part of the claimed design and represent that no particular length is claimed.

1 Claim, 3 Drawing Sheets



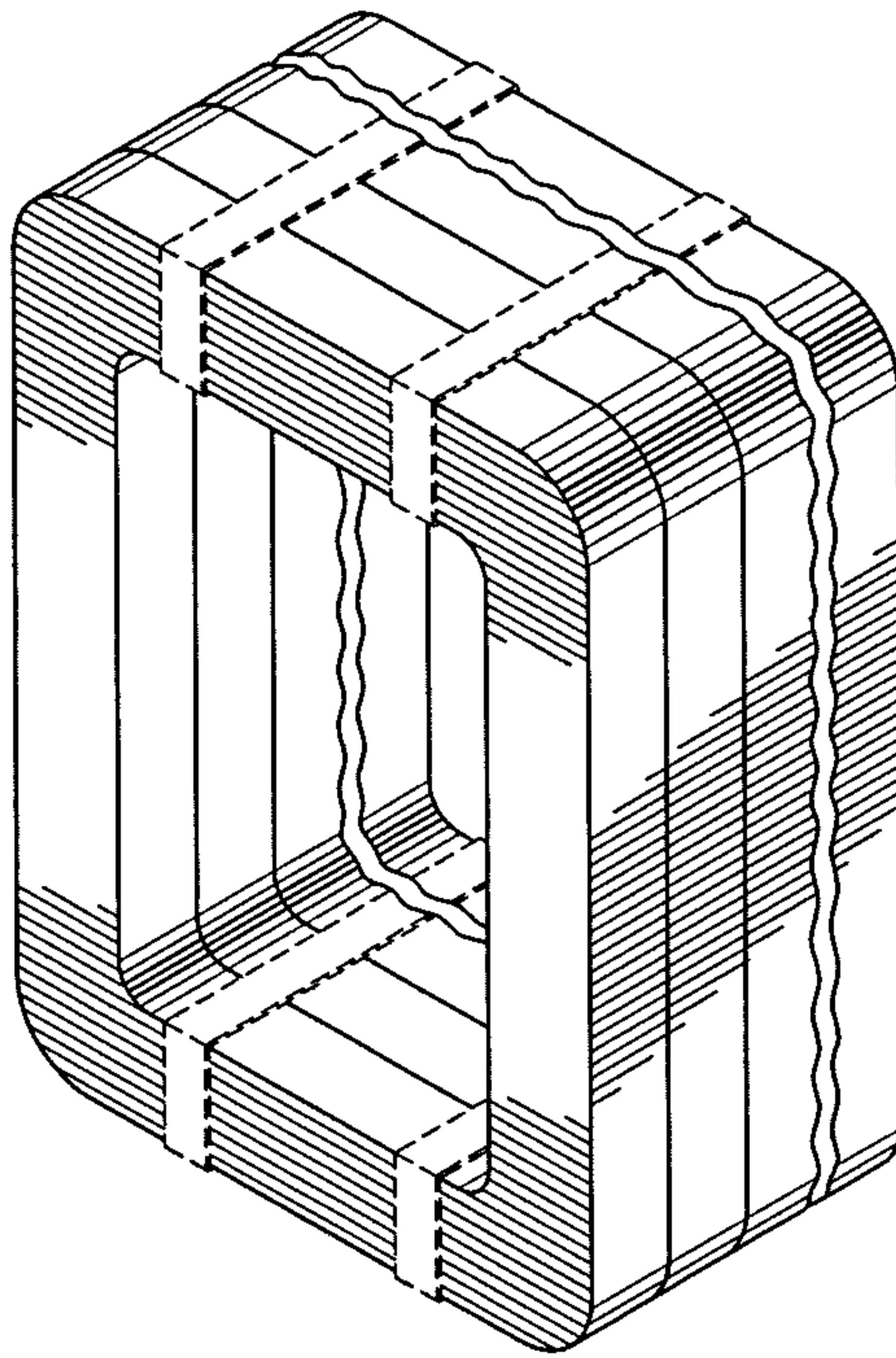


FIG. 1

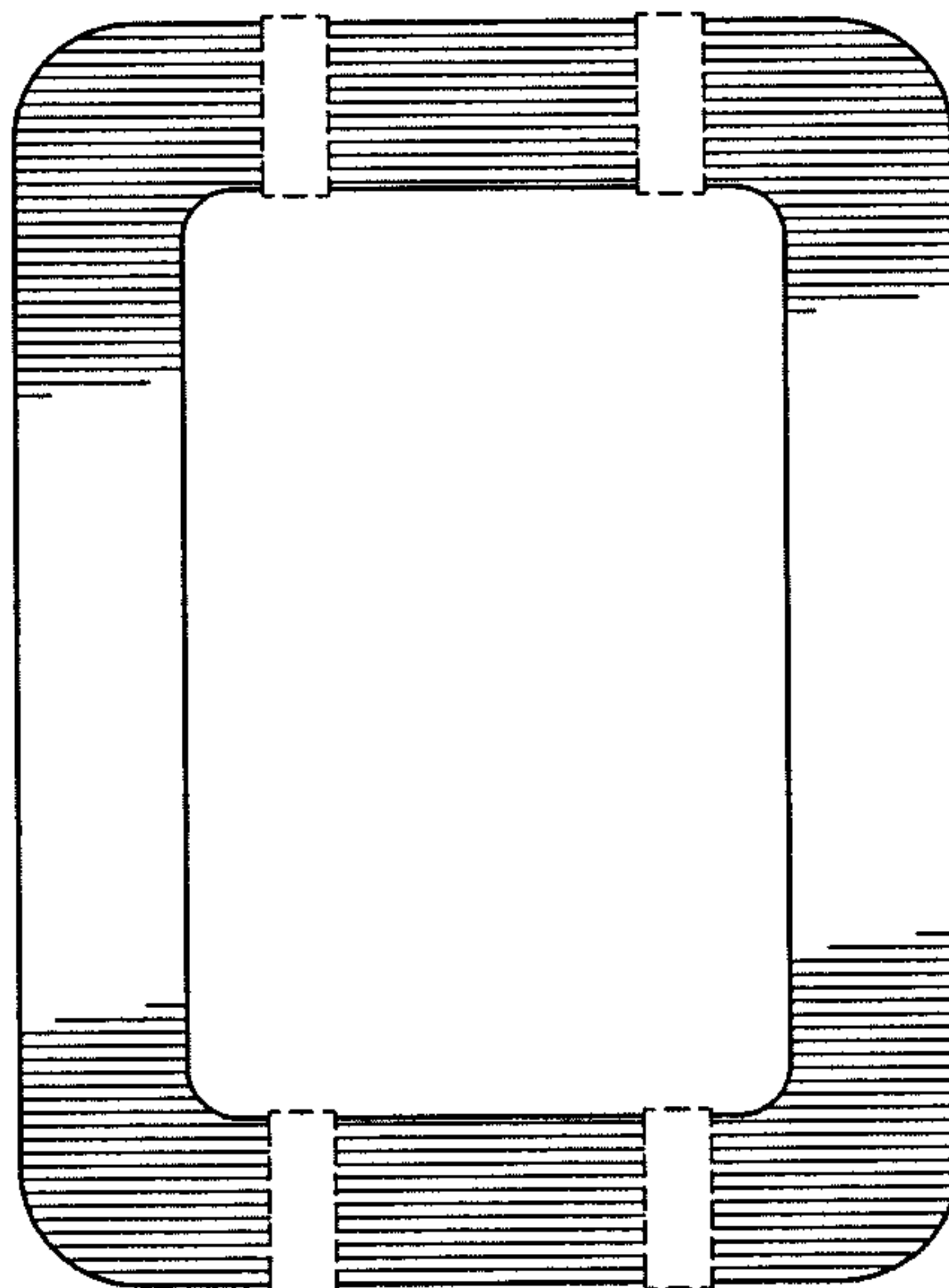


FIG. 2

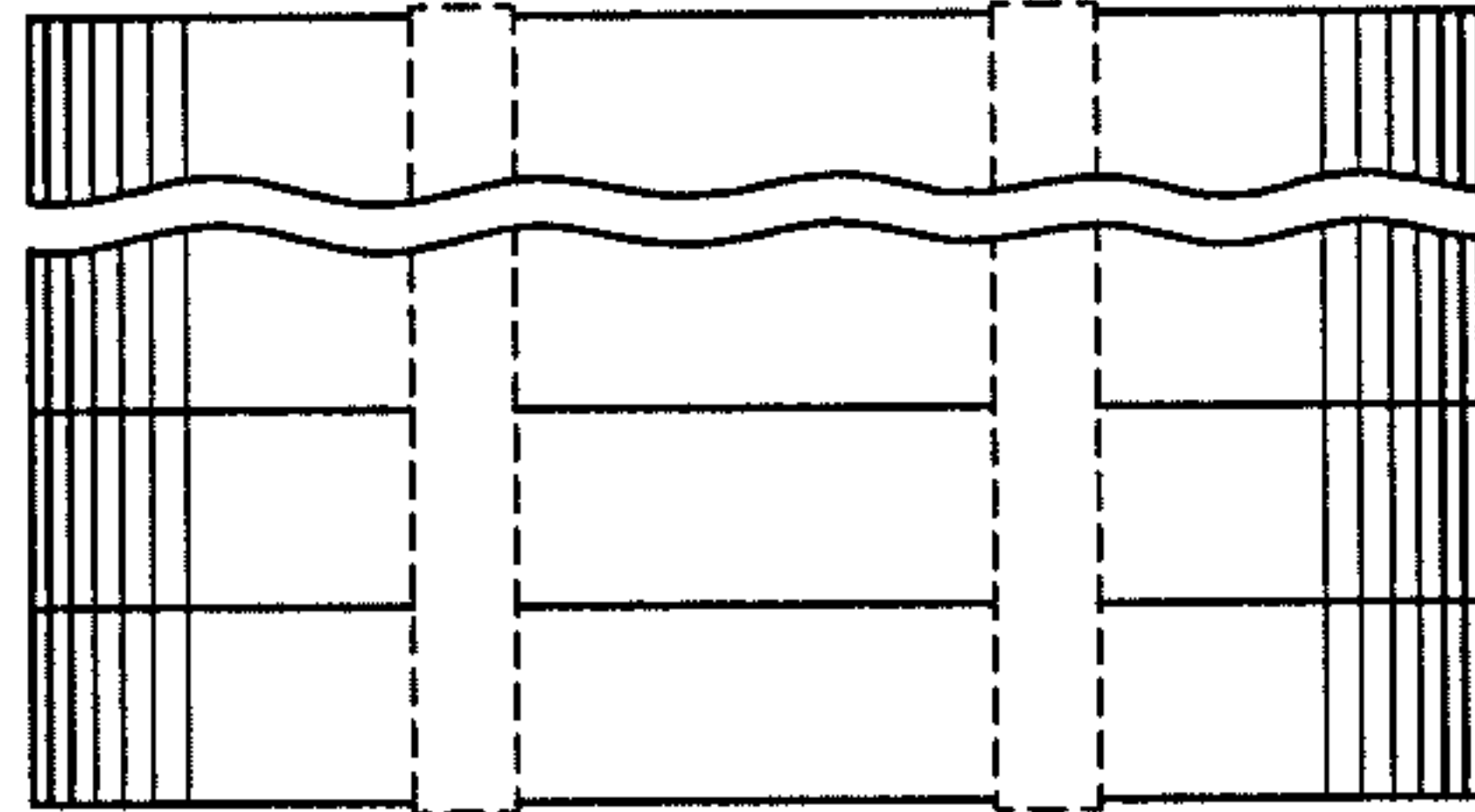


FIG. 3

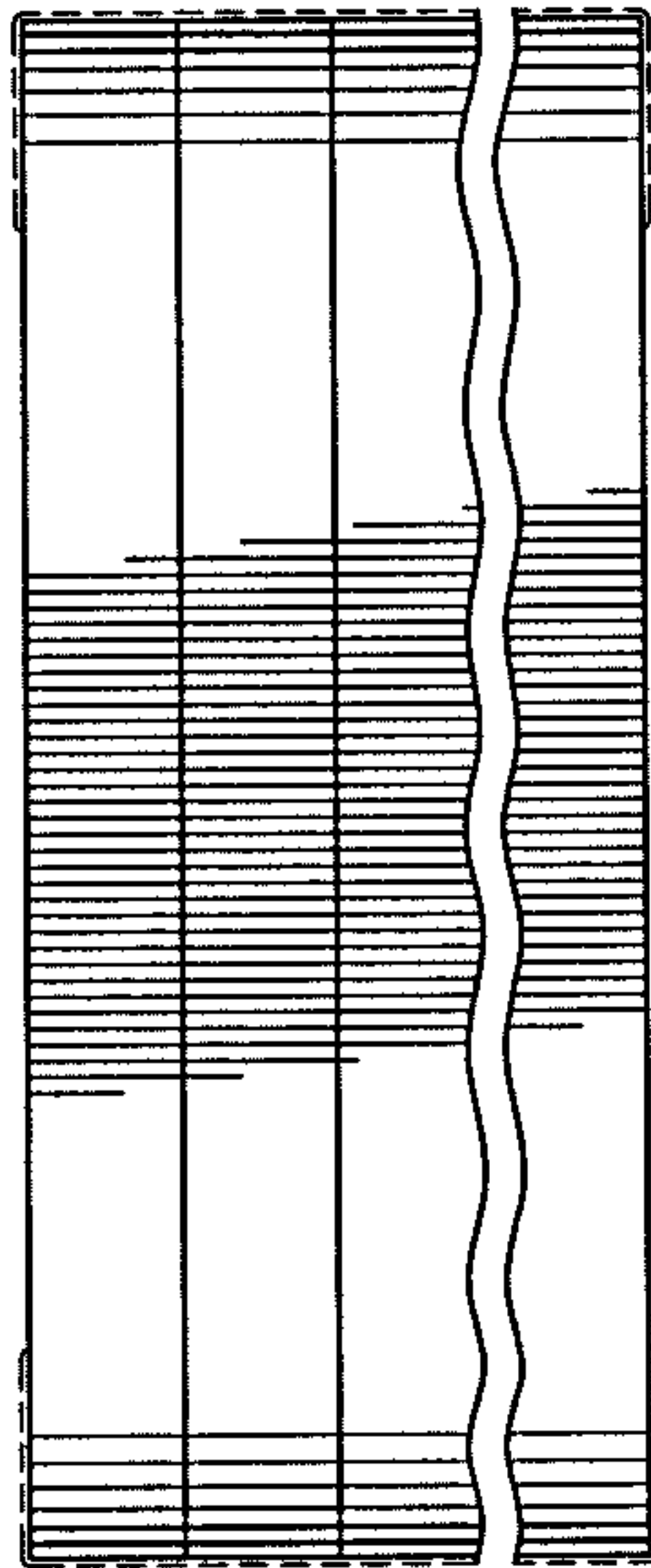


FIG. 4

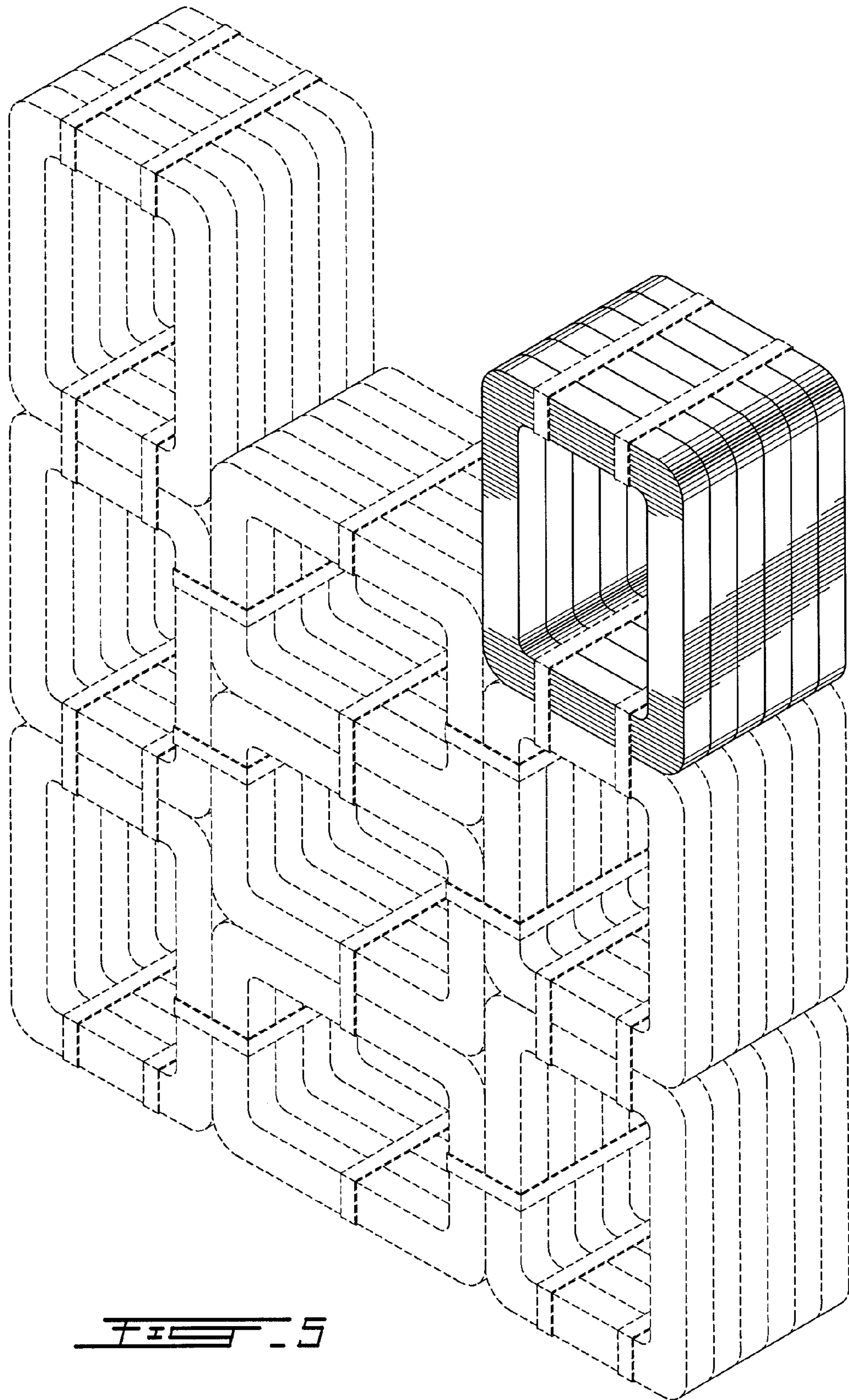


FIG. 5