



US00D683143S

(12) **United States Design Patent**  
**Gold et al.**

(10) **Patent No.:** **US D683,143 S**

(45) **Date of Patent:** **\*\* May 28, 2013**

(54) **HIGH CHAIR**

(76) Inventors: **Jonathan Morris Gold**, London (GB);  
**Daniel Jason Tyler**, London (GB)

(\*\*) Term: **14 Years**

(21) Appl. No.: **29/425,512**

(22) Filed: **Jun. 23, 2012**

(51) **LOC (9) Cl.** ..... **06-01**

(52) **U.S. Cl.**  
USPC ..... **D6/339**

(58) **Field of Classification Search** ..... D6/333-335,  
D6/339, 491, 500-502; D21/412, 419; 280/30-31;  
5/655, 94, 98.1, 99.1, 101, 102, 105;  
297/183.1-183.4, 184.13, 184.15, 184.17,  
297/250.1, 256.15, 256.16

See application file for complete search history.

(56) **References Cited**

**U.S. PATENT DOCUMENTS**

D355,775 S \* 2/1995 Burstein ..... D6/339  
D590,608 S \* 4/2009 Ebina ..... D6/339  
D603,175 S \* 11/2009 Jacobs et al. .... D6/339

D619,818 S \* 7/2010 Bergkvist ..... D6/339  
D641,180 S \* 7/2011 Kennedy et al. .... D6/339  
D650,598 S \* 12/2011 Kennedy et al. .... D6/339  
D663,539 S \* 7/2012 Chuah ..... D6/339

\* cited by examiner

*Primary Examiner* — Caron D Veynar

*Assistant Examiner* — Abraham Bahta

(57) **CLAIM**

The ornamental design for a high chair, as shown and described.

**DESCRIPTION**

FIG. 1 is a front perspective view of a high chair showing our new design;

FIG. 2 is a rear perspective view thereof;

FIG. 3 is a first side elevational view thereof;

FIG. 4 is a second side elevational view thereof rotated by 180° relative to the first side elevational view of FIG. 3;

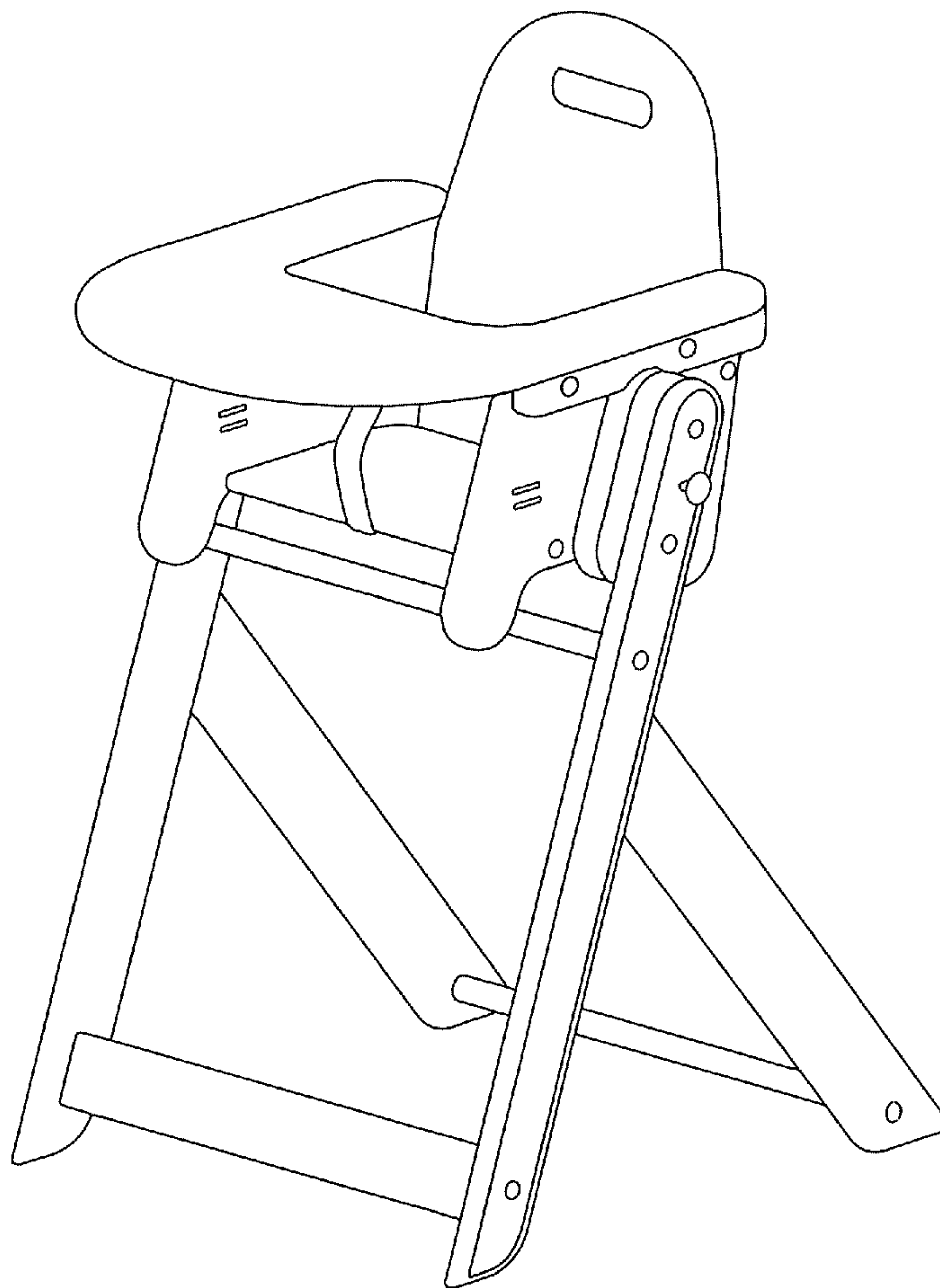
FIG. 5 is a front elevational view thereof;

FIG. 6 is a rear elevational view thereof;

FIG. 7 is a top plan view thereof; and,

FIG. 8 is a bottom plan view thereof.

**1 Claim, 8 Drawing Sheets**



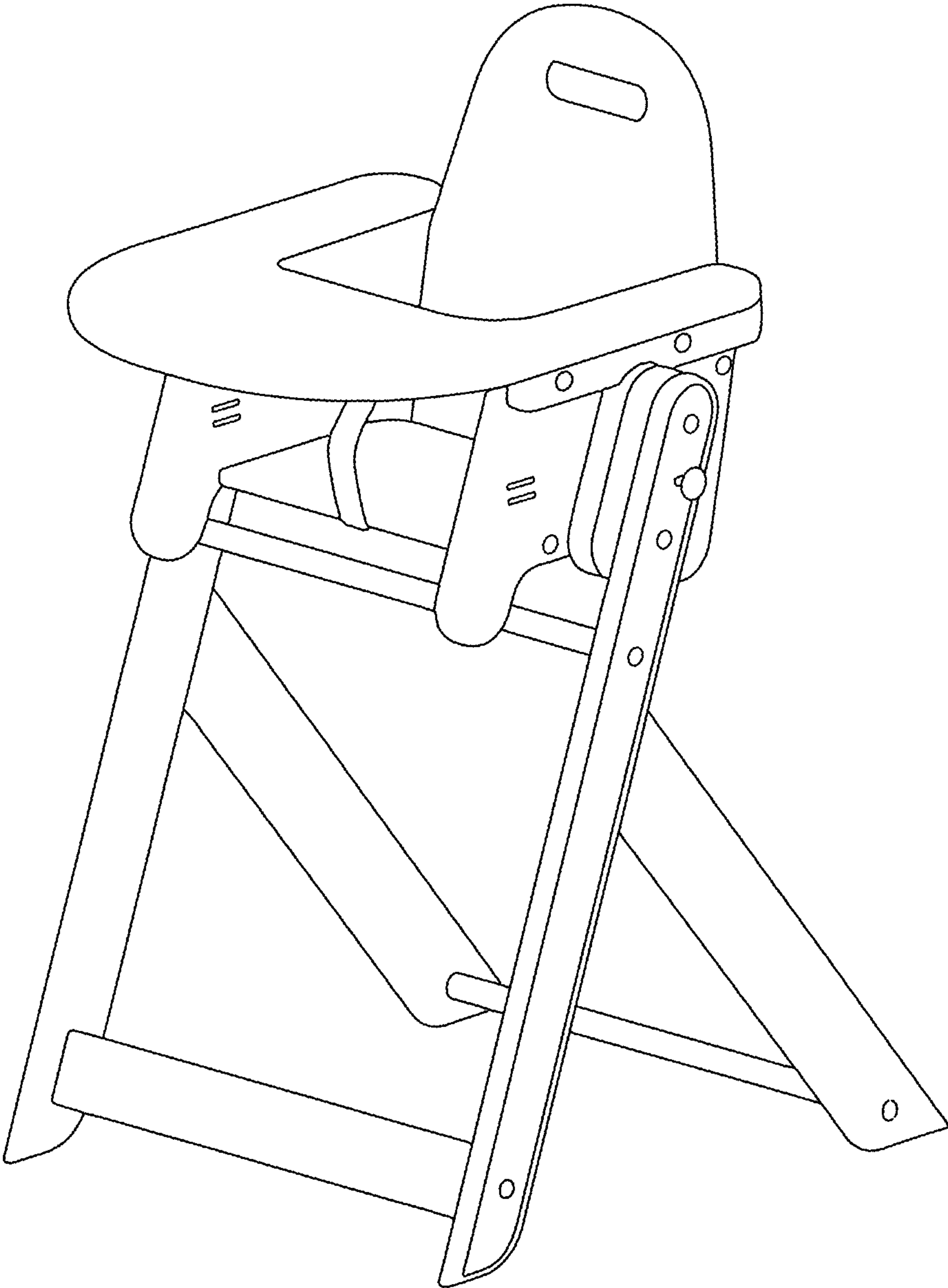


Fig. 1

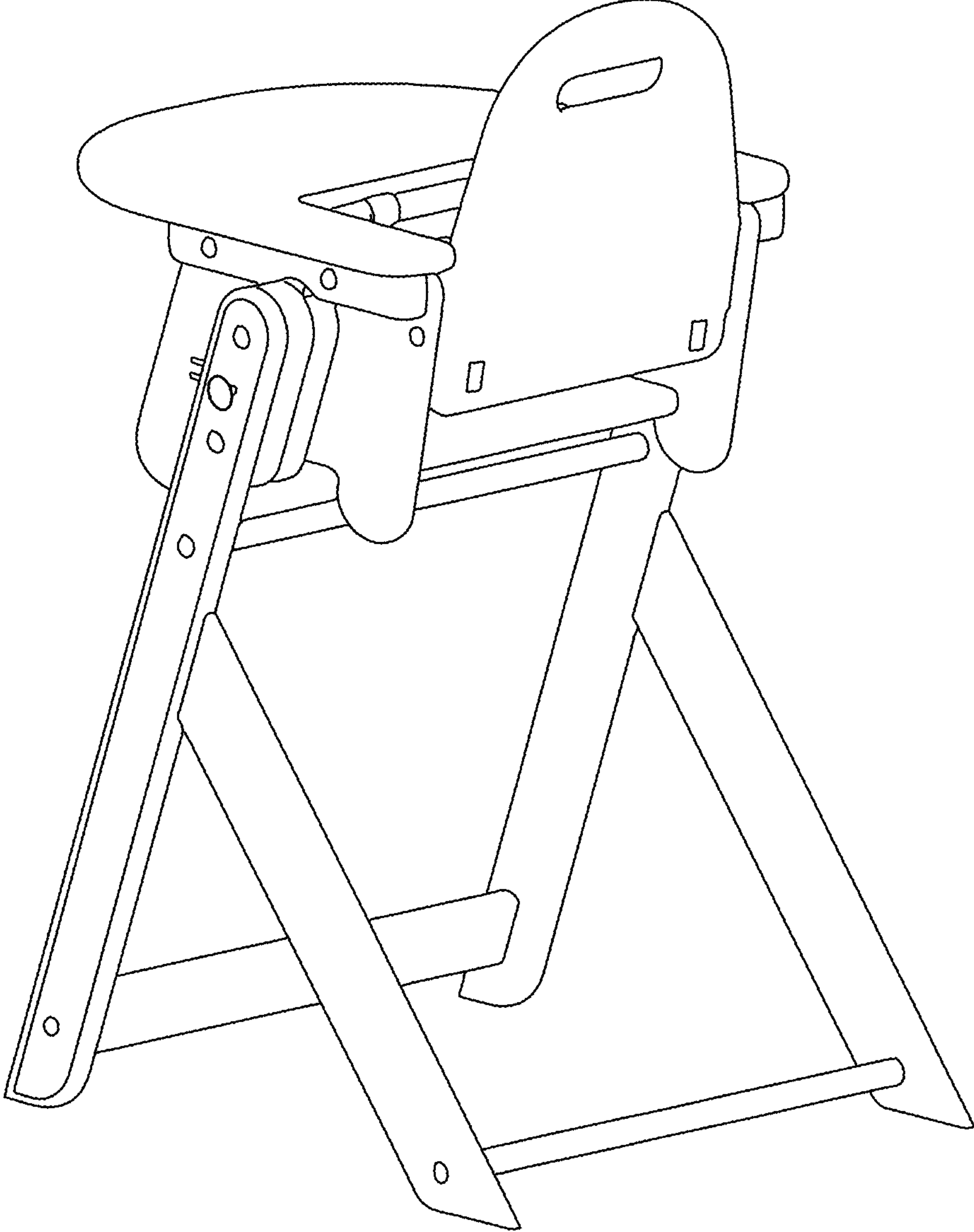


Fig. 2

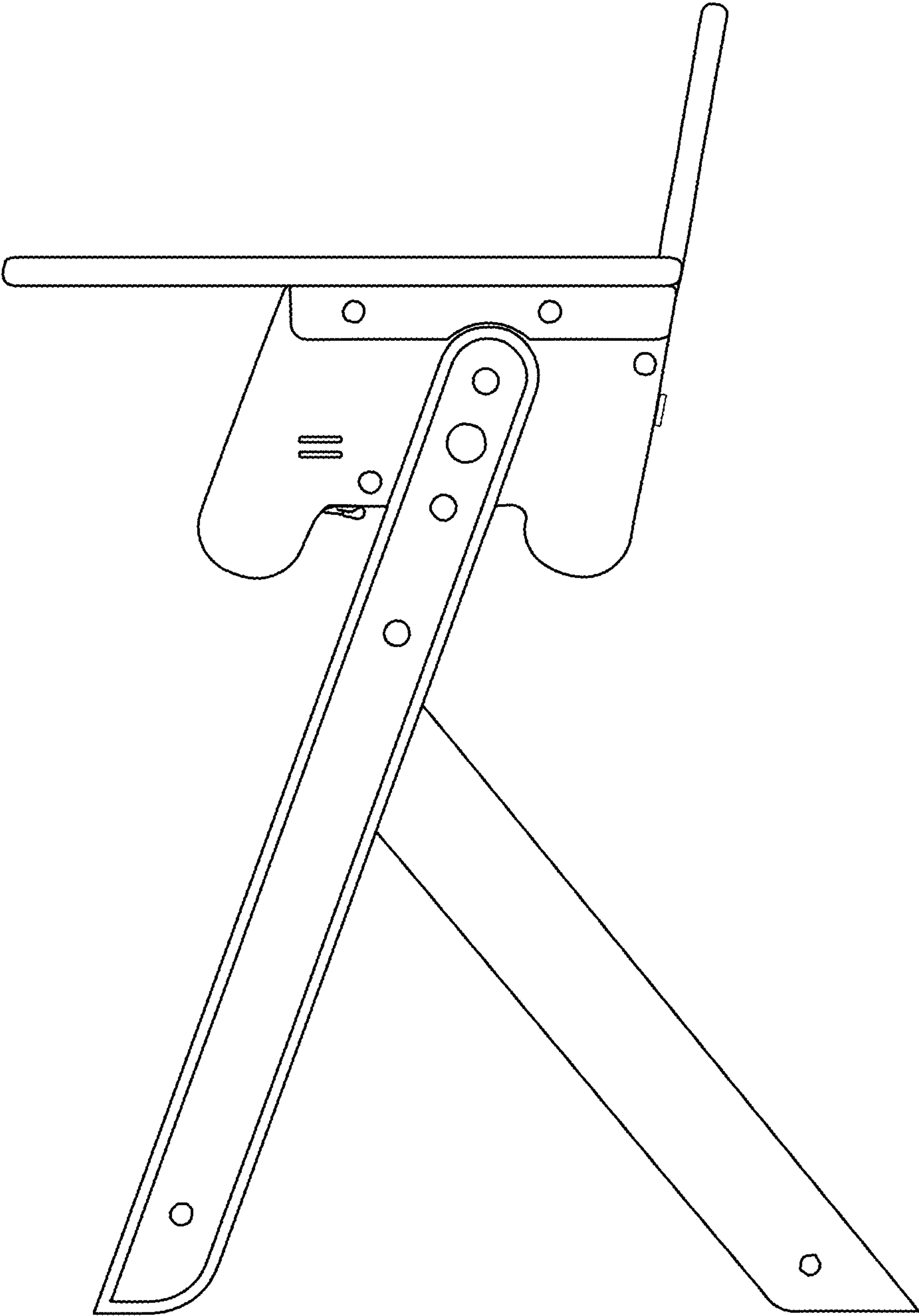


Fig. 3

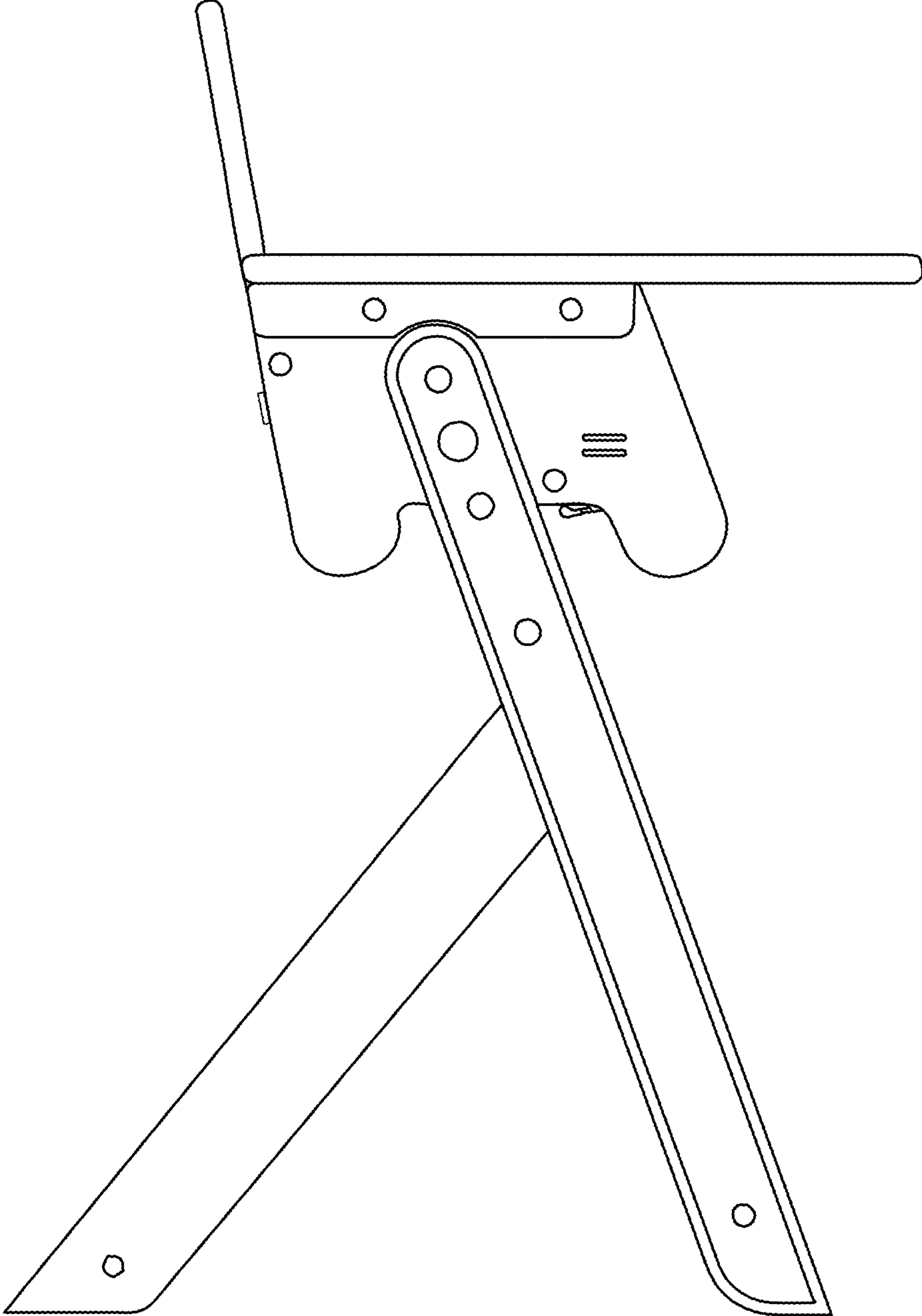


Fig. 4

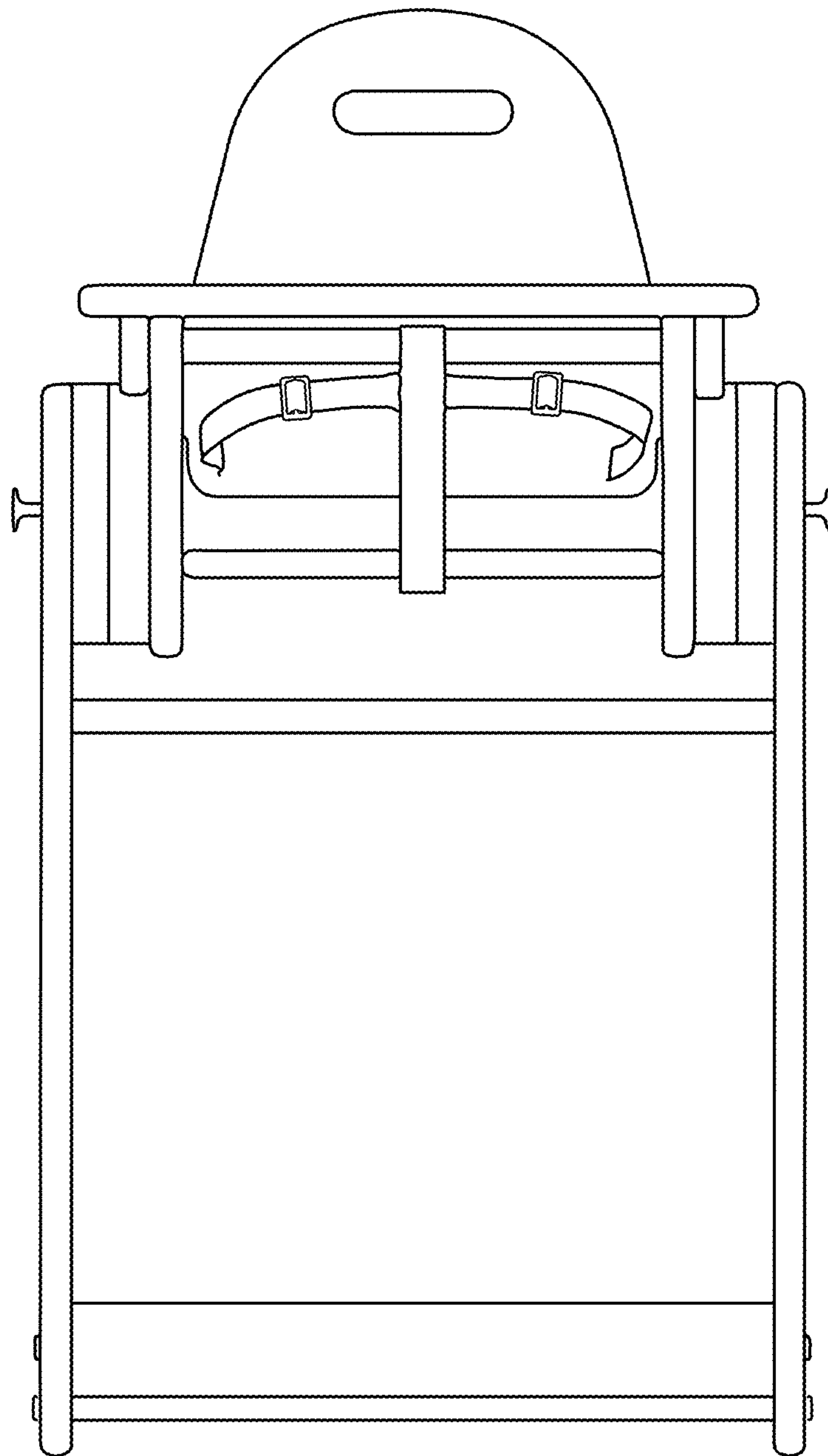


Fig. 5

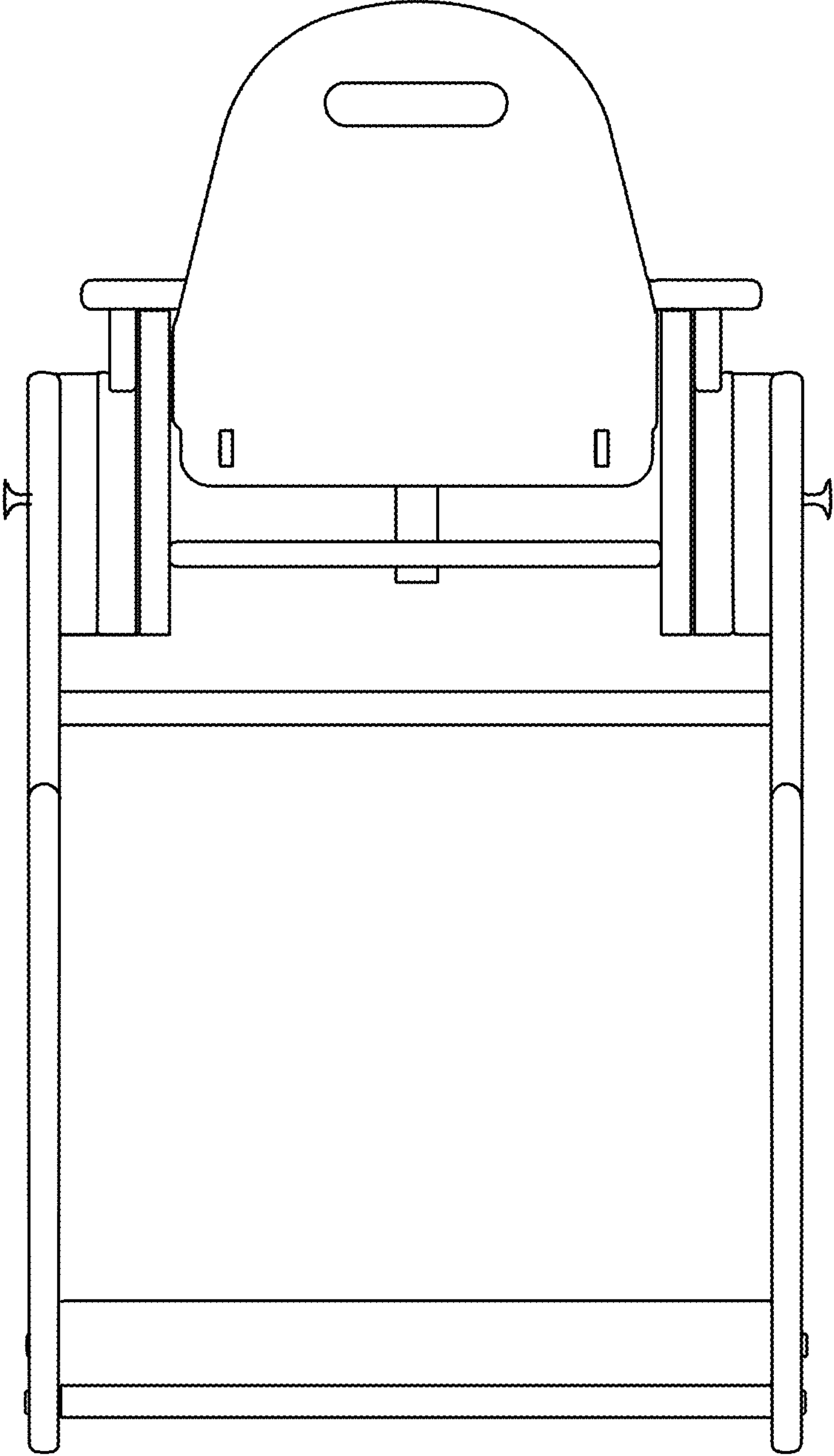


Fig. 6



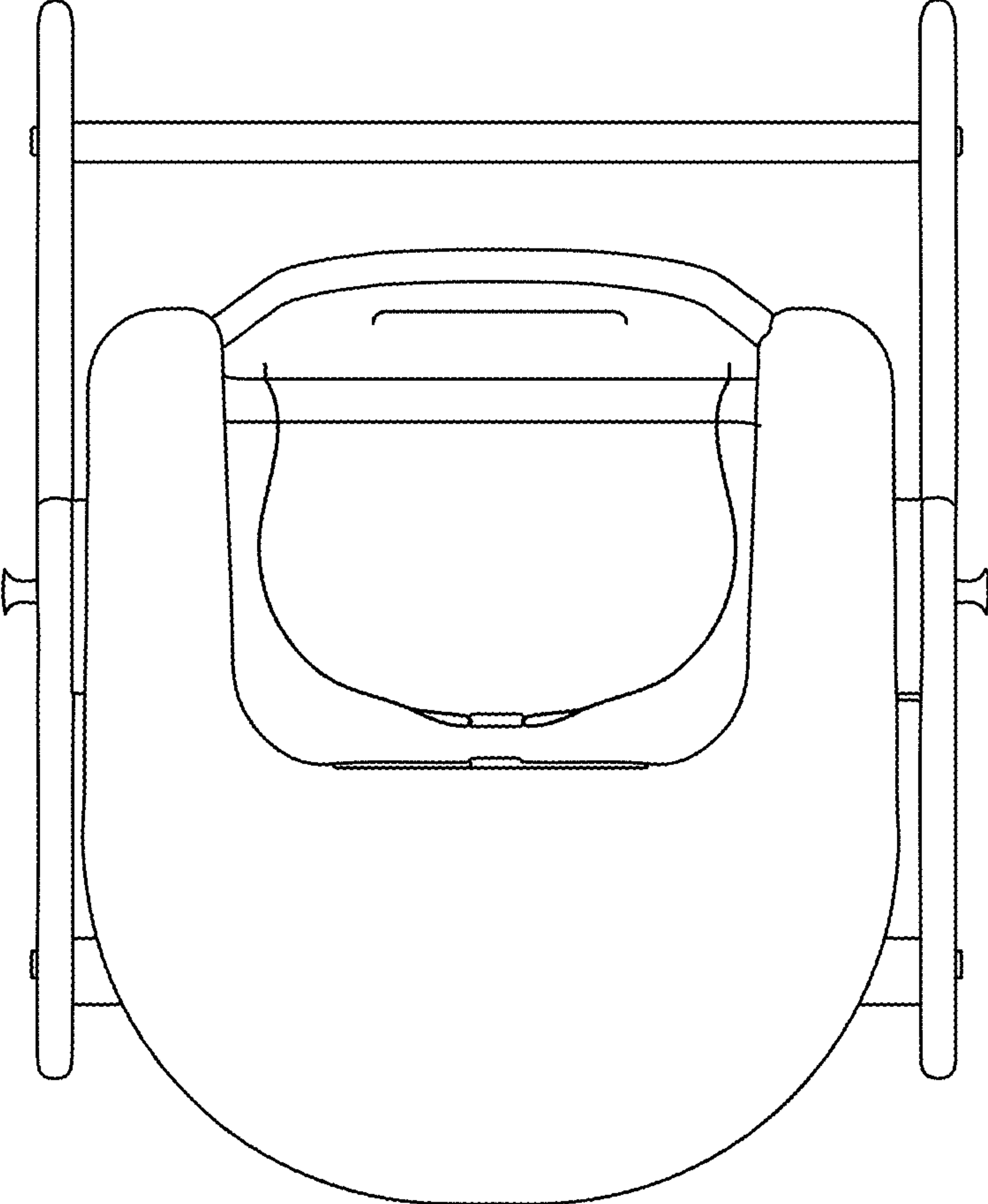


Fig. 7



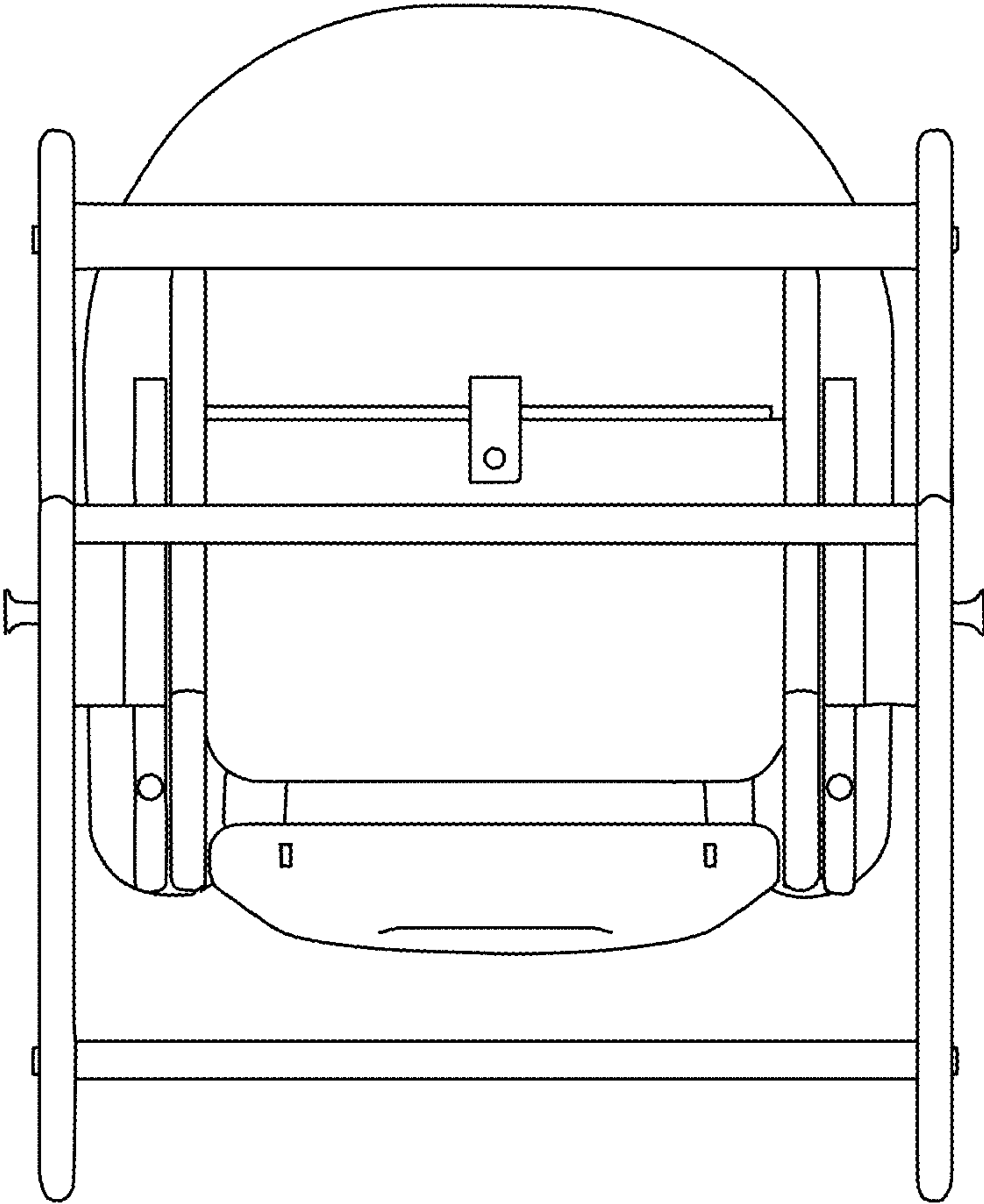


Fig. 8