



US00D683140S

(12) **United States Design Patent**
Stroud et al.

(10) **Patent No.:** **US D683,140 S**

(45) **Date of Patent:** **** May 28, 2013**

(54) **MIRROR**

(71) Applicants: **Annette Marie Stroud**, Chattanooga,
TN (US); **Johnny Brown**, Chattanooga,
TN (US)

(72) Inventors: **Annette Marie Stroud**, Chattanooga,
TN (US); **Johnny Brown**, Chattanooga,
TN (US)

(**) **Term:** **14 Years**

(21) **Appl. No.:** **29/436,331**

(22) **Filed:** **Nov. 5, 2012**

(51) **LOC (9) Cl.** **06-07**

(52) **U.S. Cl.**
USPC **D6/300**

(58) **Field of Classification Search**
USPC D12/417, 191; D20/29, 10, 37, 42;
D6/300-314; D16/241; 224/311-314; 40/352,
40/341, 700, 358, 107, 726, 122; D19/19,
D19/86, 88, 65

See application file for complete search history.

(56) **References Cited**

U.S. PATENT DOCUMENTS

D353,568 S * 12/1994 Tong D12/191
D491,879 S * 6/2004 Alves et al. D12/417

D515,017 S * 2/2006 Feldman et al. D12/417
D516,498 S * 3/2006 Eskandry D12/417
D550,270 S * 9/2007 Astill D16/241
D567,512 S * 4/2008 Molenaar et al. D6/300
D567,741 S * 4/2008 Chalek et al. D12/417
D578,469 S * 10/2008 Fair et al. D12/417

* cited by examiner

Primary Examiner — Cathron Brooks

Assistant Examiner — Sydney Buffalow

(74) *Attorney, Agent, or Firm* — Frank Marino

(57) **CLAIM**

The ornamental design for a mirror, as shown and described.

DESCRIPTION

FIG. 1 is a perspective view of a mirror according to our new design;

FIG. 2 is a front view of the mirror of FIG. 1;

FIG. 3 is a bottom view of the mirror of FIG. 1, the top view being a mirror image thereof;

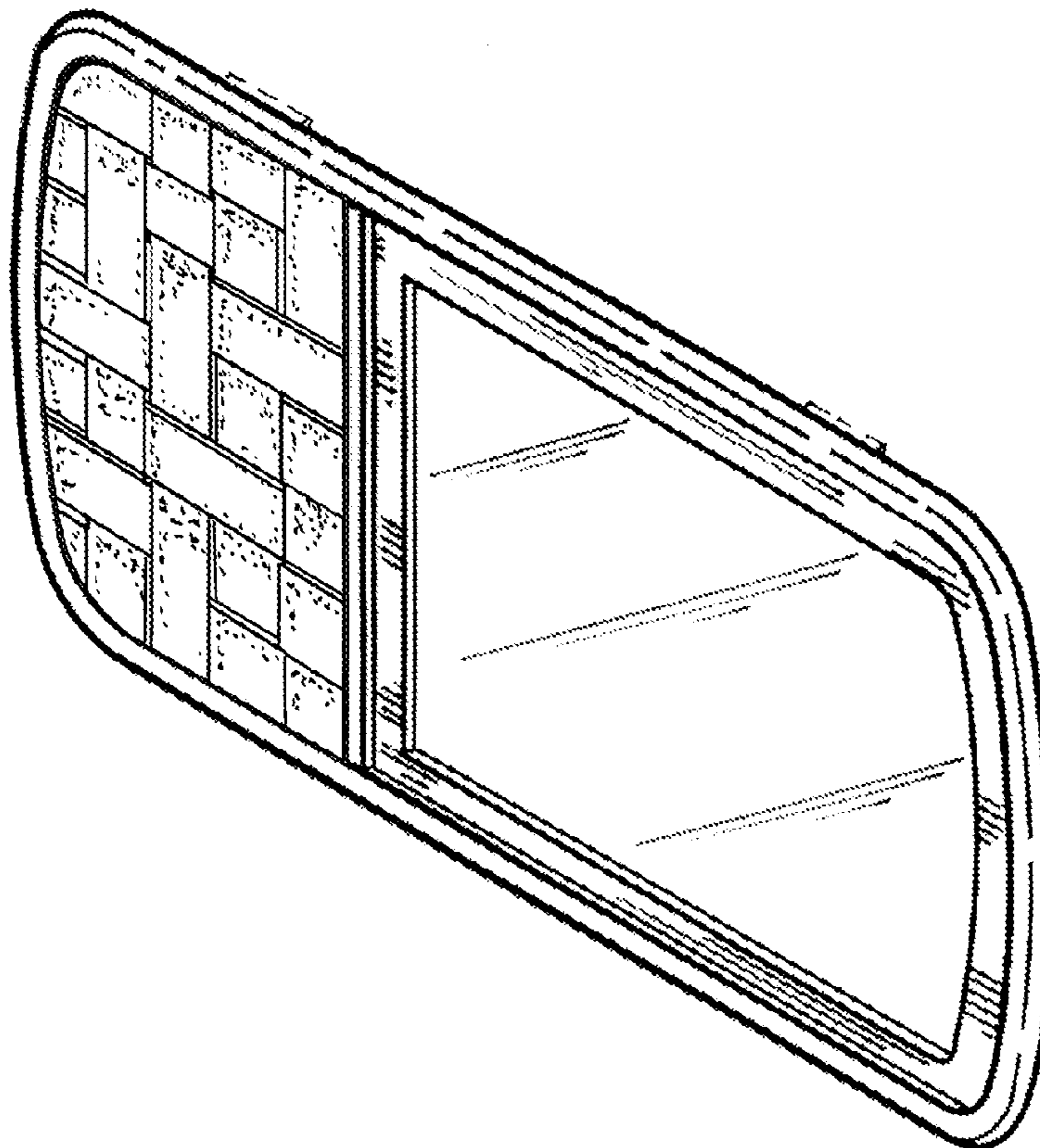
FIG. 4 is a rear view of the mirror of FIG. 1;

FIG. 5 is a right side view of the mirror of FIG. 1, the left side view being a mirror image thereof; and,

FIG. 6 is a cross-sectional view of the mirror of FIG. 1 taken at Line 6-6 of FIG. 2.

The broken lines shown in the drawings represent portions of the mirror that form no part of the claimed design.

1 Claim, 2 Drawing Sheets



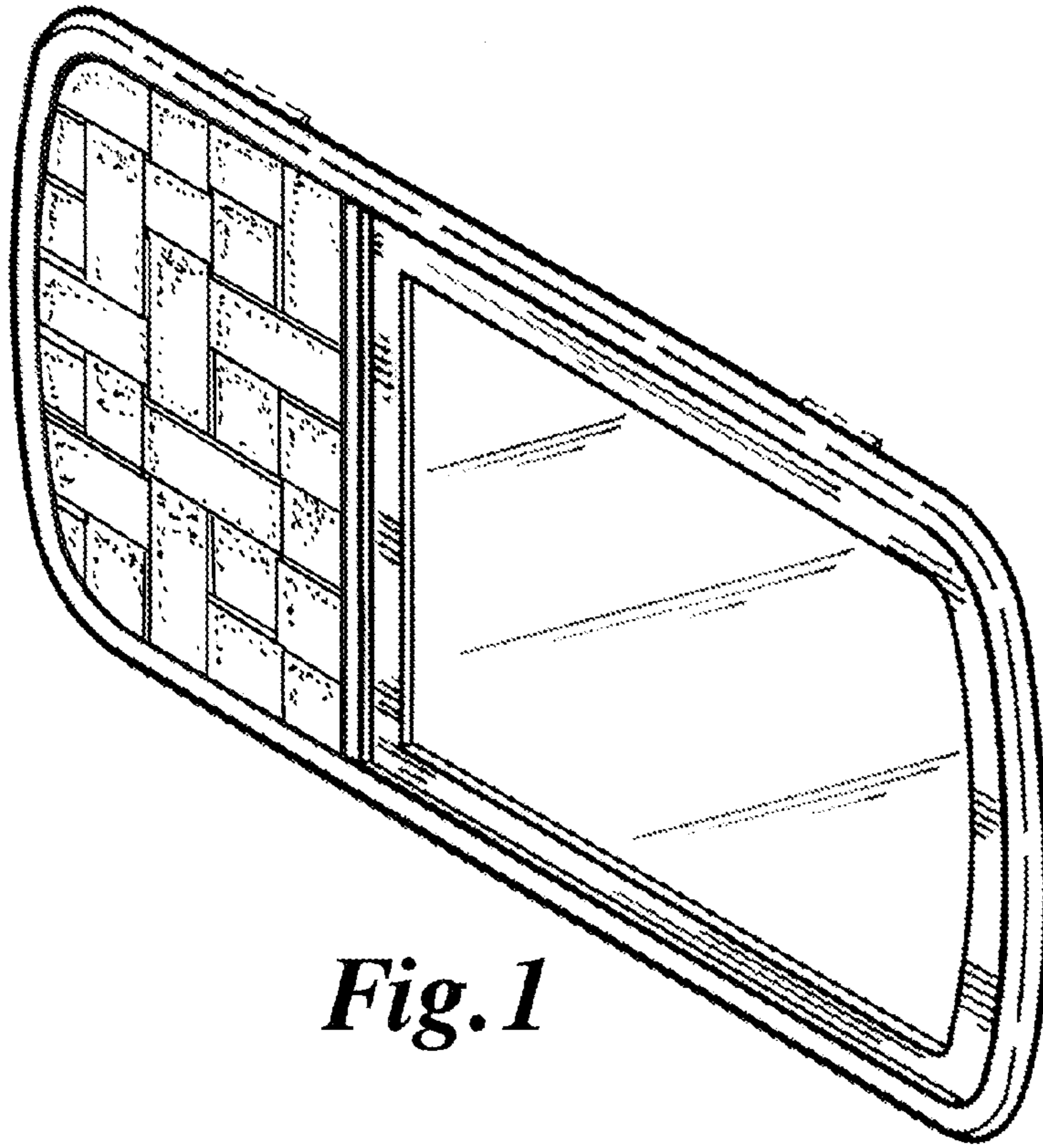


Fig. 1

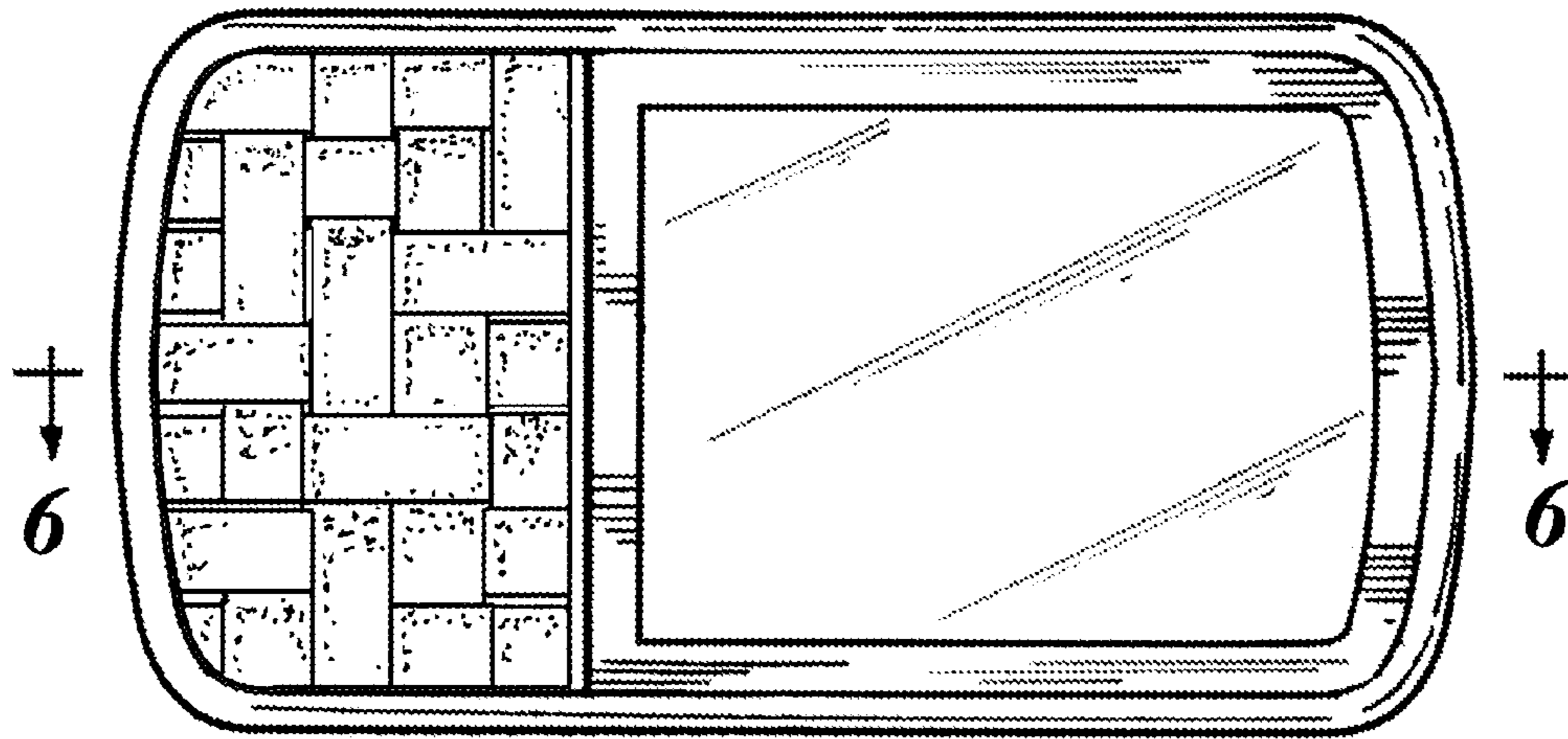


Fig. 2

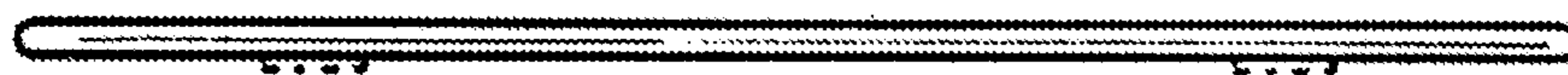


Fig. 3

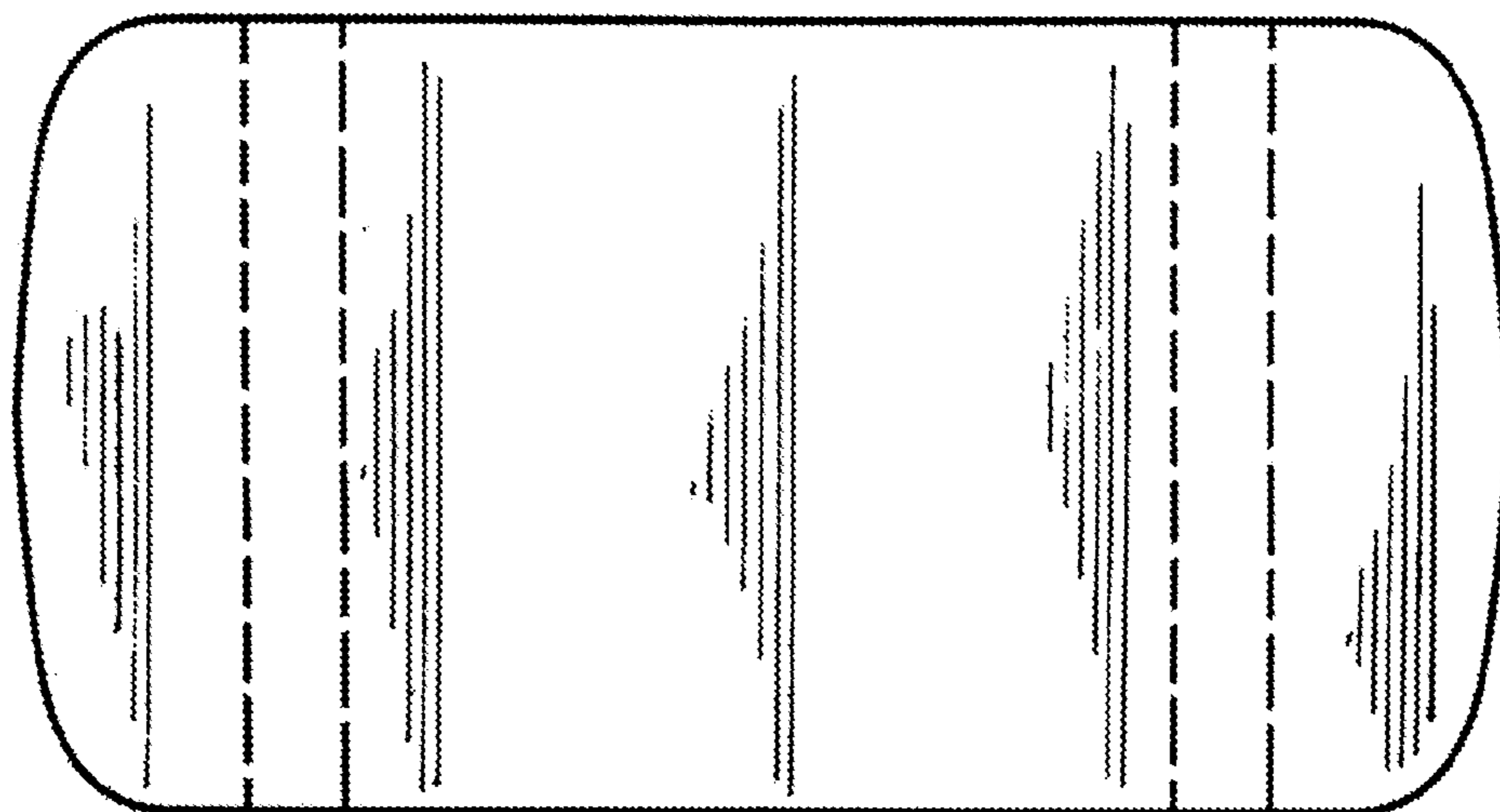


Fig. 4



Fig. 6



Fig. 5