



US00D683139S

(12) **United States Design Patent**  
**Chikos et al.**

(10) **Patent No.:** **US D683,139 S**  
(45) **Date of Patent:** **\*\* May 28, 2013**

(54) **ELECTRIC SKIN BRUSH**

(75) Inventors: **Robin E. Chikos**, Renton, WA (US);  
**Richard A. Reishus**, Renton, WA (US);  
**Travis Hosler**, Seattle, WA (US);  
**Michael M. Itano**, Seattle, WA (US)

(73) Assignee: **Pacific Bioscience Laboratories, Inc.**,  
Redmond, WA (US)

(\*\*) Term: **14 Years**

(21) Appl. No.: **29/415,512**

(22) Filed: **Mar. 12, 2012**

(51) **LOC (9) Cl.** ..... **04-02**

(52) **U.S. Cl.**  
USPC ..... **D4/102; D4/127**

(58) **Field of Classification Search** ..... D4/100,  
D4/102, 127, 134, 138; 15/21.1, 22.1, 28,  
15/29, 143.1, 159.1, 160, 179, 180, 188; D24/146,  
D24/200, 214, 215; D28/9, 58, 63; 601/89,  
601/97, 109, 114, 137, 154  
See application file for complete search history.

(56) **References Cited**

**U.S. PATENT DOCUMENTS**

3,968,789	A	*	7/1976	Simoncini	.....	601/95
D245,883	S	*	9/1977	Tsuji et al.	.....	D4/102
D281,035	S	*	10/1985	Herzfeld	.....	D4/102
5,891,063	A	*	4/1999	Vigil	.....	601/114
D500,168	S	*	12/2004	Ho	.....	D28/44
D549,964	S	*	9/2007	Roth et al.	.....	D4/102
D601,803	S	*	10/2009	Reishus et al.	.....	D4/102
D646,487	S	*	10/2011	Leppla et al.	.....	D4/102

**OTHER PUBLICATIONS**

CN 301542018 Registered Design Application, (Wu, Xianowang) Nov. 5, 2011, [online], [retrieved on Dec. 15, 2012] Retrieved from the Questel Intellectual Property Portal Design Database using the Internet: <URL: http://www.orbit.com>.\*  
CN 301207096 Registered Design Application, (Wu, Xianowang) May 19, 2010, [online], [retrieved on Dec. 15, 2012] Retrieved from the Questel Intellectual Property Portal Design Database using the Internet: <URL: http://www.orbit.com>.\*

\* cited by examiner

*Primary Examiner* — Robin V Webster

*Assistant Examiner* — Lavone D Tabor

(74) *Attorney, Agent, or Firm* — Clark A. Puntigam; Jensen & Puntigam, P.S.

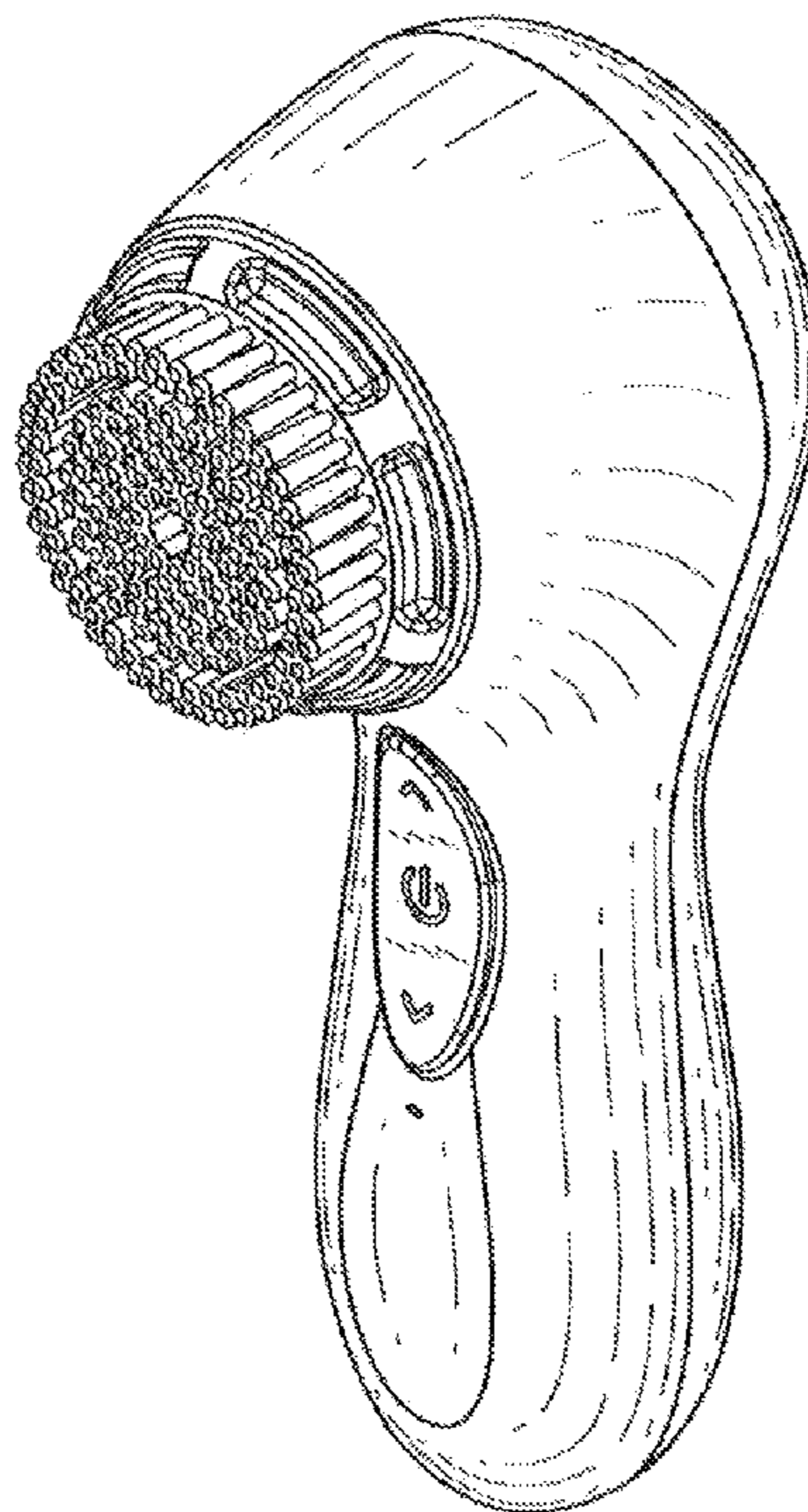
(57) **CLAIM**

The ornamental design for an electric skin brush, as shown and described.

**DESCRIPTION**

FIG. 1 is an isometric view of the electric skin brush showing the new design;  
FIG. 2 is a front elevational view of the electric skin brush;  
FIG. 3 is a rear elevational view of the electric skin brush;  
FIG. 4 is a side elevational view of one side of the electric skin brush;  
FIG. 5 is a side elevational view of the opposing side of the electric skin brush;  
FIG. 6 is a top view of the electric skin brush; and,  
FIG. 7 is a bottom view of the electric skin brush.

**1 Claim, 6 Drawing Sheets**



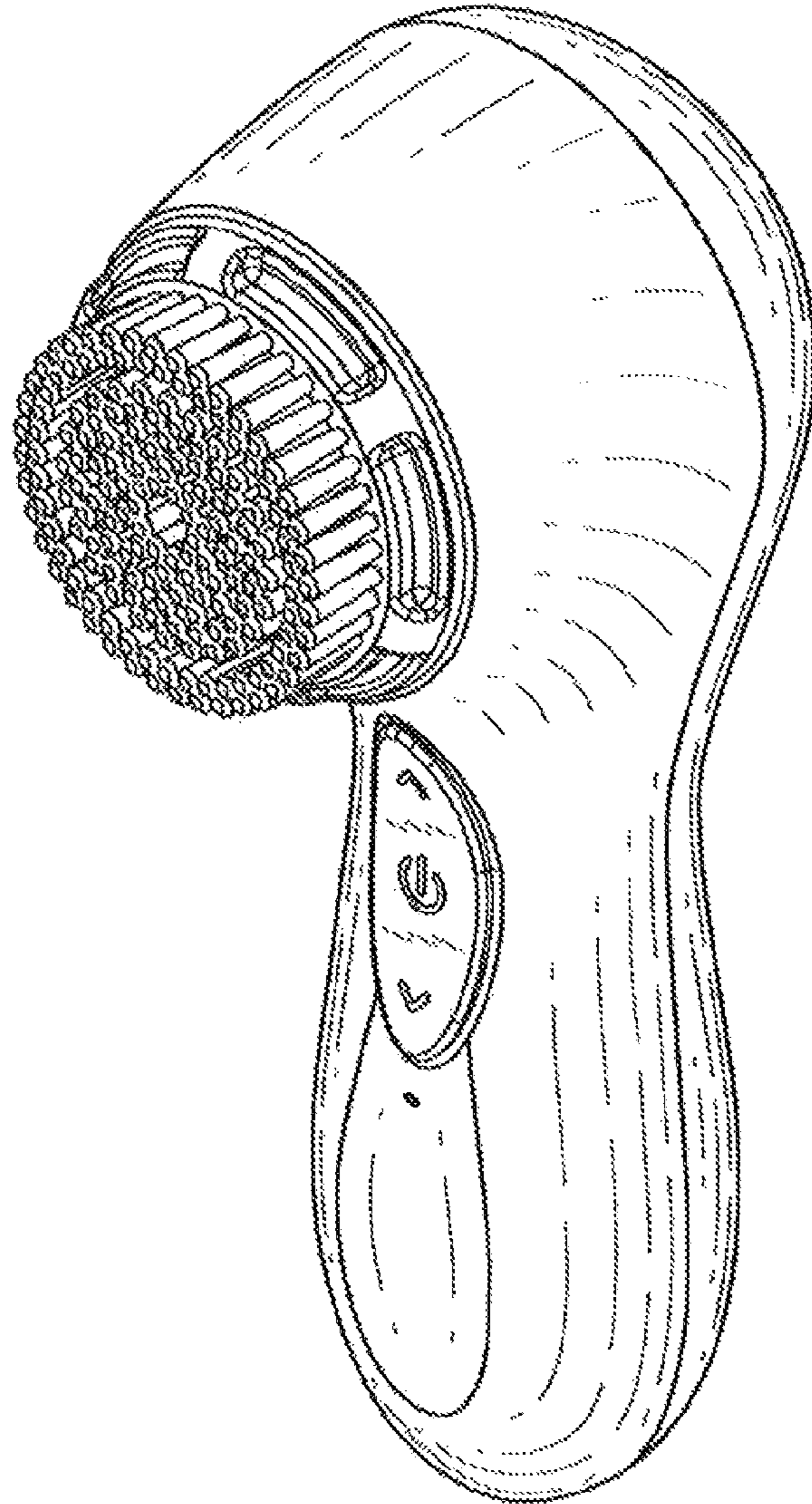


FIG. 1

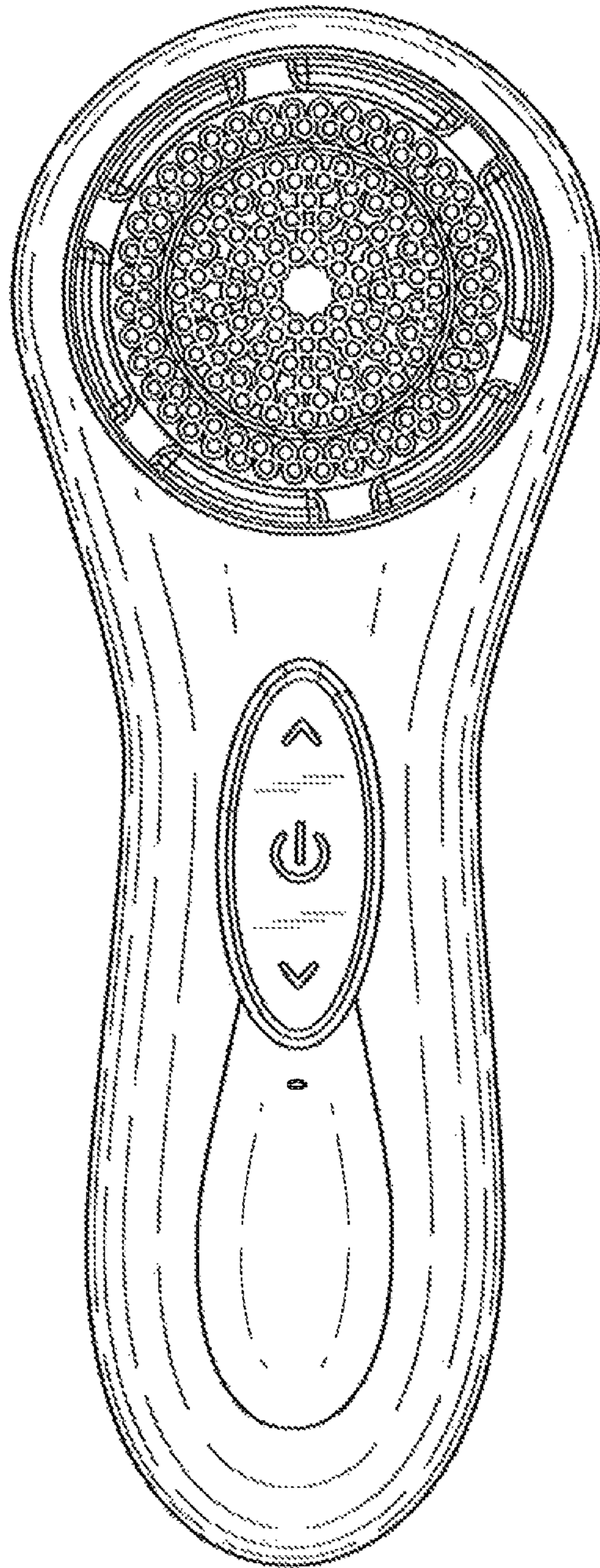


FIG. 2

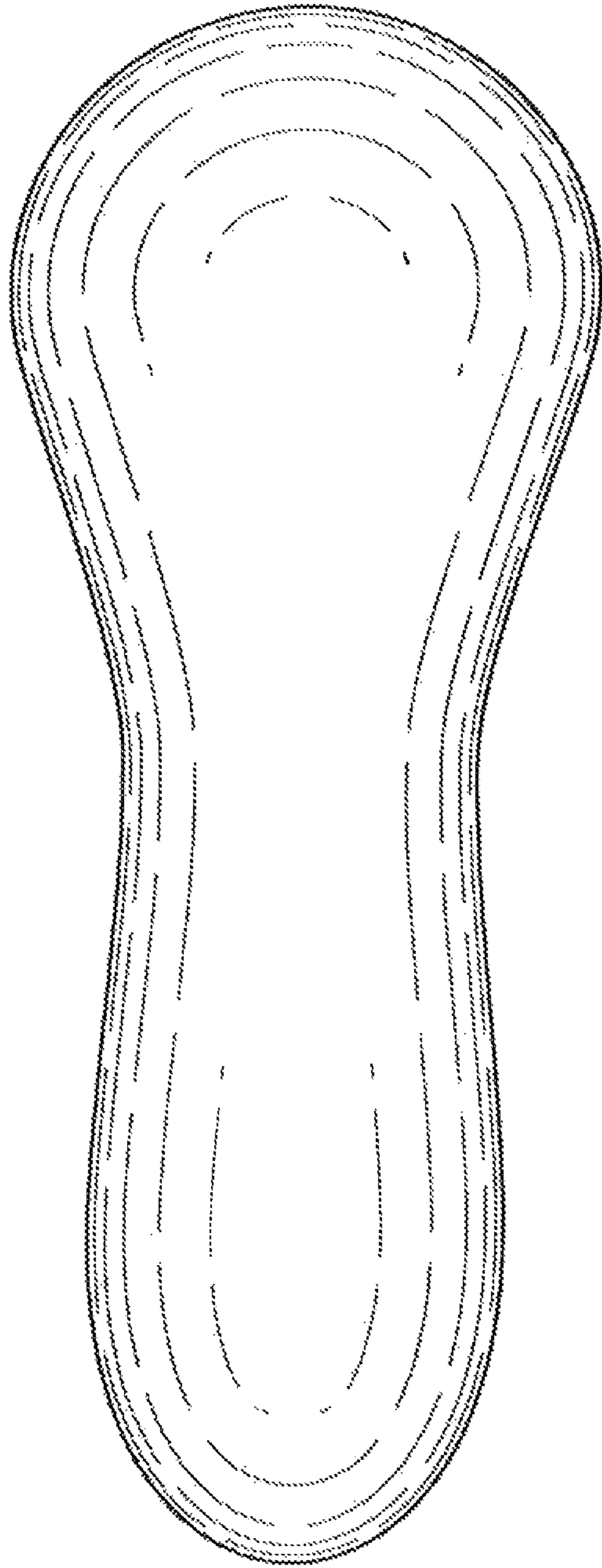


FIG. 3

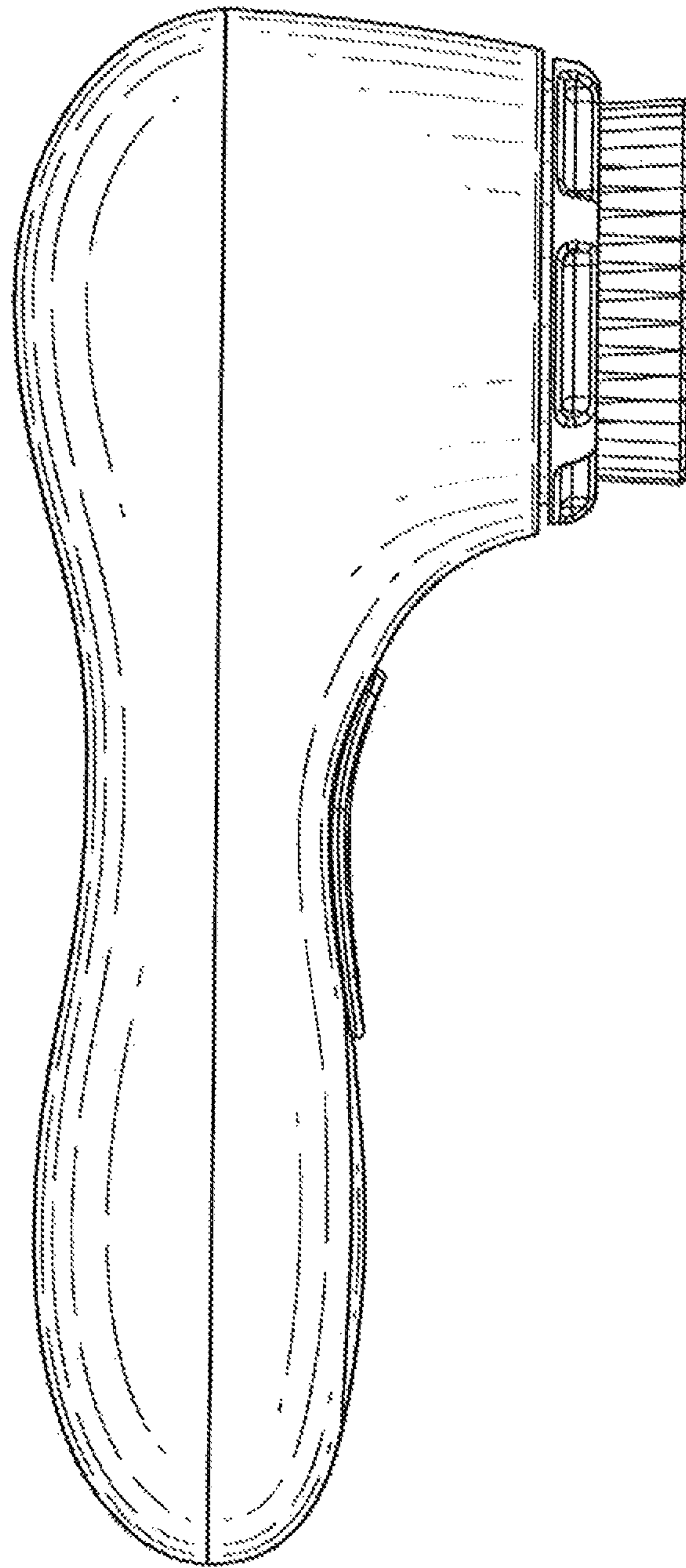


FIG. 4

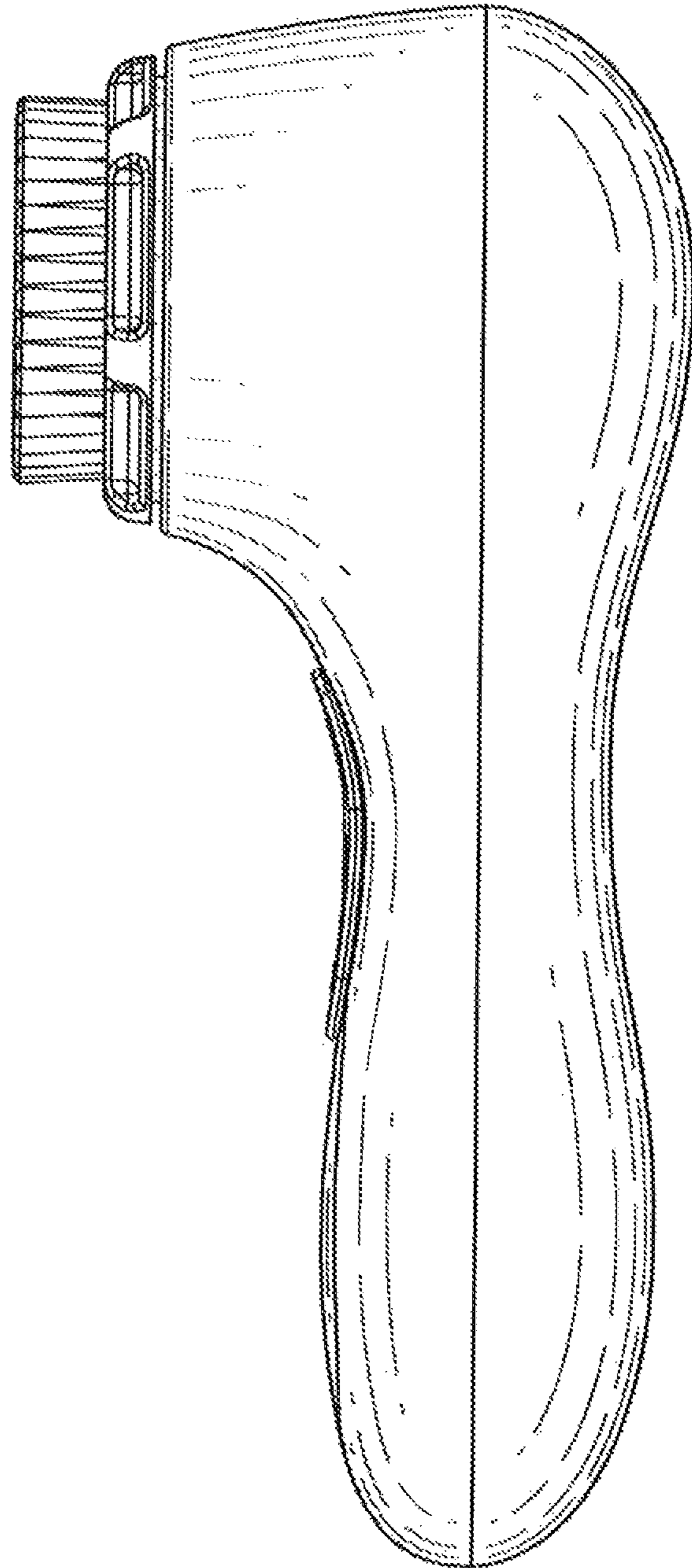


FIG. 5

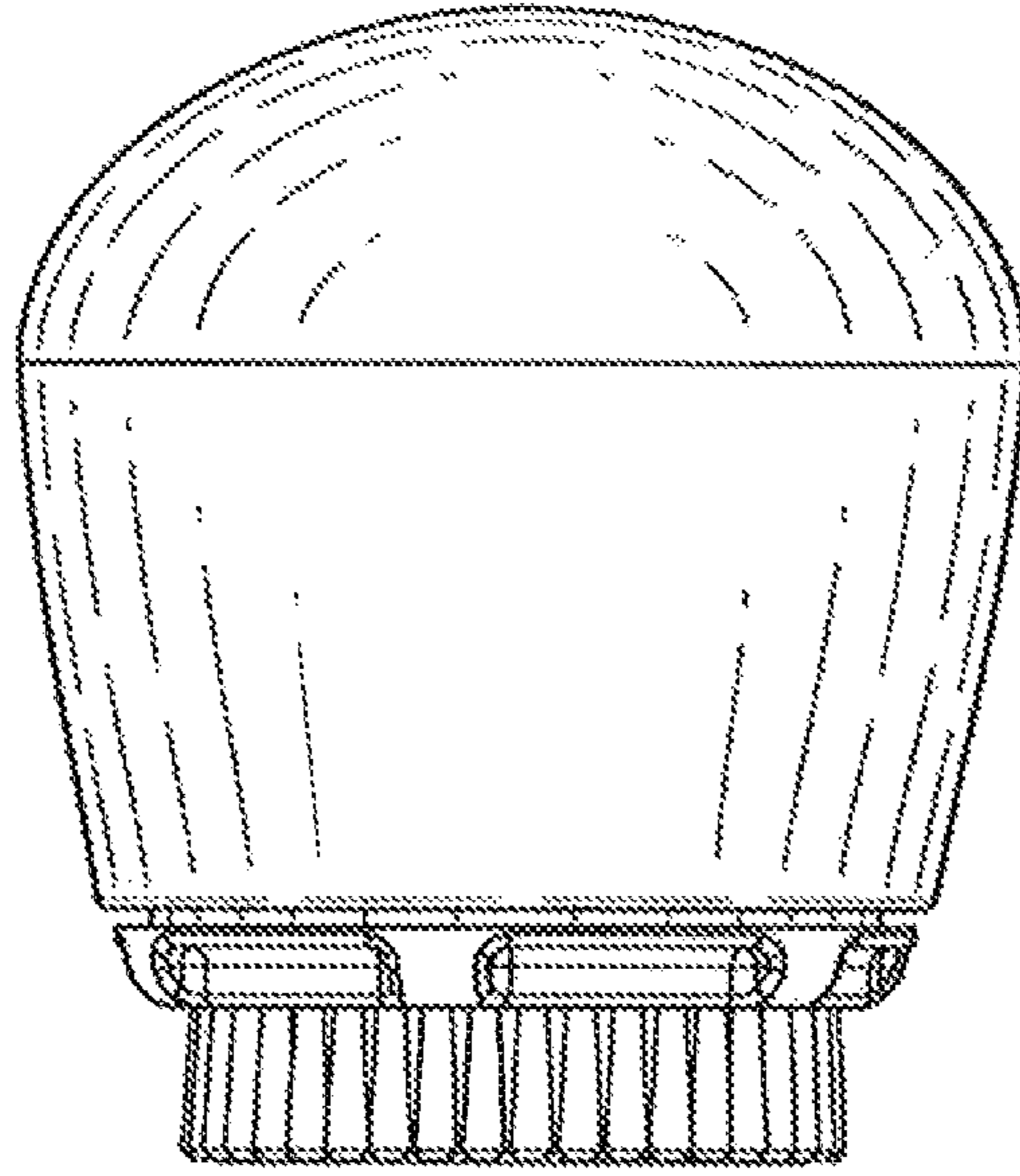


FIG. 6

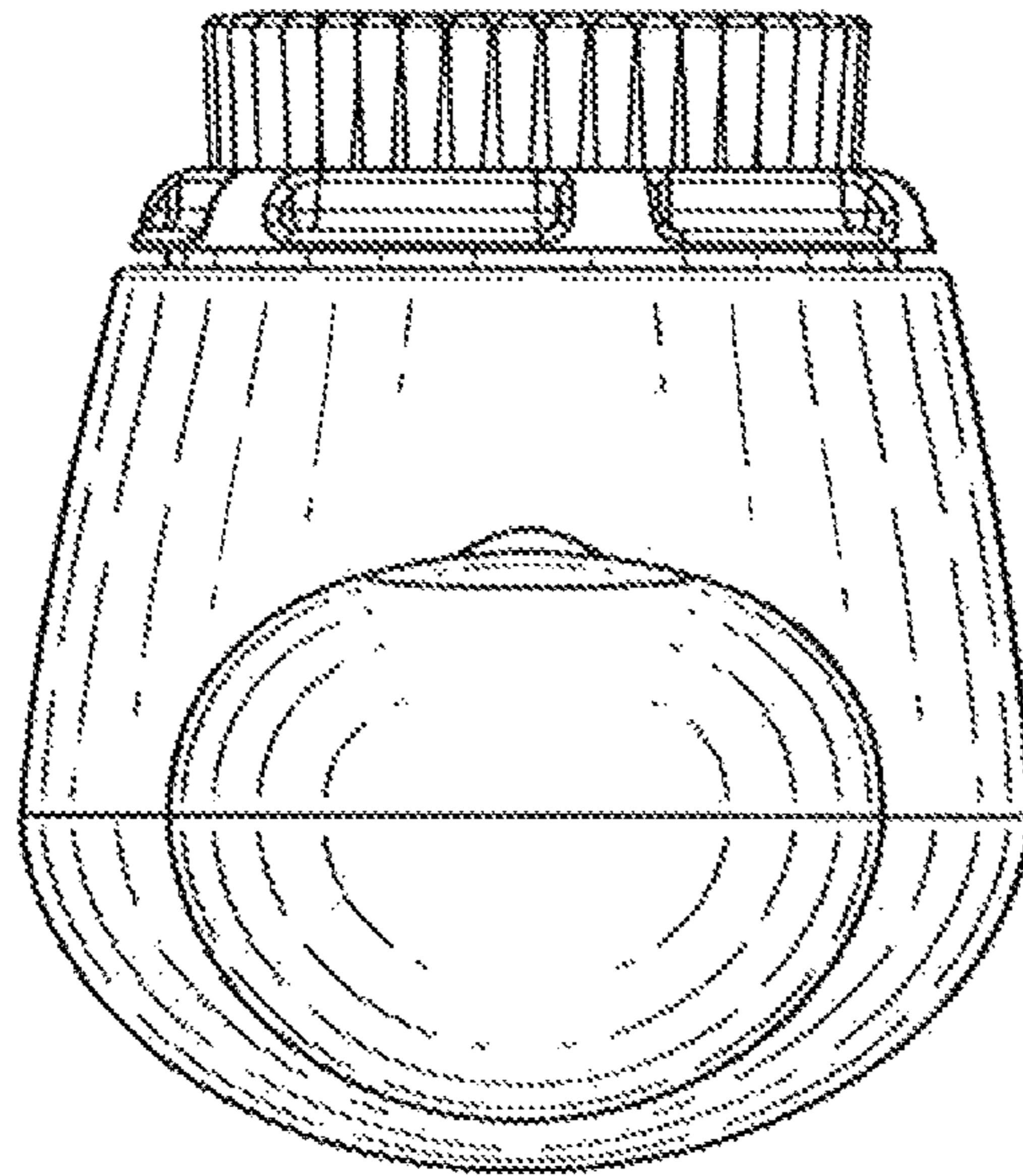


FIG. 7