



US00D683136S

(12) **United States Design Patent**  
**Wilson et al.**

(10) **Patent No.:** **US D683,136 S**  
(45) **Date of Patent:** **\*\* May 28, 2013**

(54) **HOLSTER FOR A PORTABLE ELECTRONIC DEVICE**

(75) Inventors: **Scott Harold Wilson**, Chicago, IL (US);  
**Dennis Matthew Puhalla**, Chicago, IL (US);  
**David Brian Seal**, Chicago, IL (US);  
**Kevin Gerard Brennan**, Chicago, IL (US)

(73) Assignee: **Wimo Labs LLC**, Chicago, IL (US)

(\*\*) Term: **14 Years**

(21) Appl. No.: **29/430,831**

(22) Filed: **Aug. 30, 2012**

(51) **LOC (9) Cl.** ..... **03-01**

(52) **U.S. Cl.**  
USPC ..... **D3/218**

(58) **Field of Classification Search**  
USPC ... D3/218, 215, 219, 201, 269, 303; 224/196,  
224/269, 666, 678, 930, 640, 646, 940; 379/446,  
379/455; D14/138, 250–251, 253;  
455/575.1–575.8

See application file for complete search history.

(56) **References Cited**

**U.S. PATENT DOCUMENTS**

6,176,401 B1 \* 1/2001 Lim ..... 224/196  
D466,287 S \* 12/2002 Tanaka ..... D3/218  
D468,525 S \* 1/2003 Boyle et al. .... D3/218

(Continued)

*Primary Examiner* — Catheri Oliver-Garcia

(74) *Attorney, Agent, or Firm* — Neal Gerber & Eisenberg LLP

(57) **CLAIM**

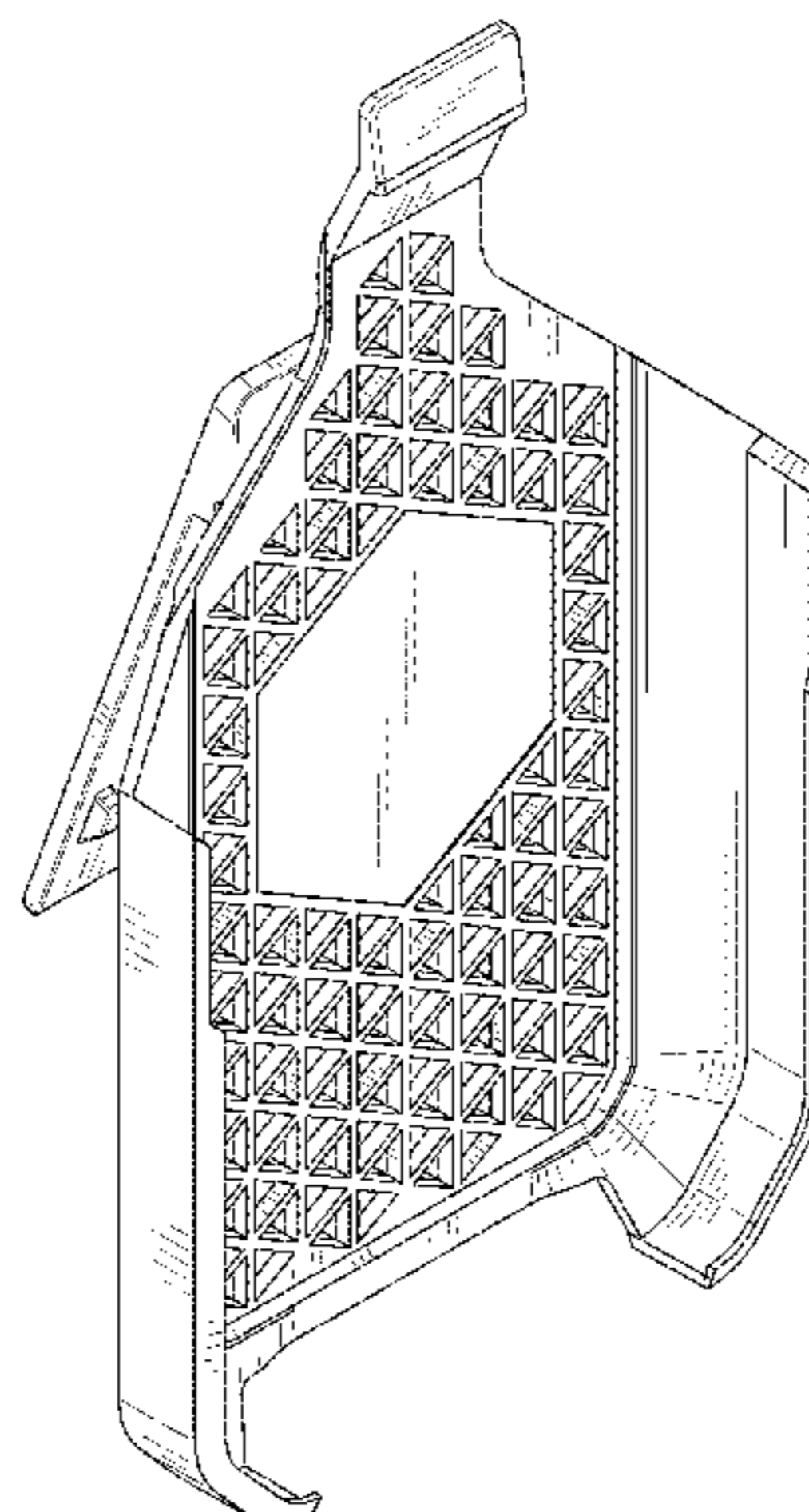
The ornamental design for a holster for a portable electronic device, as shown and described.

**DESCRIPTION**

FIG. 1 is a front perspective view of a first embodiment of a holster for a portable electronic device showing our new design;

FIG. 2 is a front elevation view thereof;  
FIG. 3 is a rear elevation view thereof;  
FIG. 4 is a right side elevation view thereof;  
FIG. 5 is a left side elevation view thereof;  
FIG. 6 is a top plan view thereof;  
FIG. 7 is a bottom plan view thereof;  
FIG. 8 is a rear perspective view thereof;  
FIG. 9 is a front perspective view of a second embodiment of our new design, the broken lines being for illustrative purposes only and forming no part of this embodiment;  
FIG. 10 is a front elevation view thereof;  
FIG. 11 is a rear elevation view thereof;  
FIG. 12 is a right side elevation view thereof;  
FIG. 13 is a left side elevation view thereof;  
FIG. 14 is a top plan view thereof;  
FIG. 15 is a bottom plan view thereof;  
FIG. 16 is a rear perspective view thereof;  
FIG. 17 is a front perspective view of a third embodiment of our new design;  
FIG. 18 is a front elevation view thereof;  
FIG. 19 is a rear elevation view thereof;  
FIG. 20 is a right side elevation view thereof;  
FIG. 21 is a left side elevation view thereof;  
FIG. 22 is a top plan view thereof;  
FIG. 23 is a bottom plan view thereof;  
FIG. 24 is a rear perspective view thereof;  
FIG. 25 is a front perspective view of a fourth embodiment of our new design, the broken lines being for illustrative purposes only and forming no part of this embodiment;  
FIG. 26 is a front elevation view thereof;  
FIG. 27 is a rear elevation view thereof;  
FIG. 28 is a right side elevation view thereof;  
FIG. 29 is a left side elevation view thereof;  
FIG. 30 is a top plan view thereof;  
FIG. 31 is a bottom plan view thereof; and,  
FIG. 32 is a rear perspective view thereof.  
The broken lines in the drawings represent environmental subject matter and form no part of the claimed design.

**1 Claim, 24 Drawing Sheets**



# US D683,136 S

Page 2

---

## U.S. PATENT DOCUMENTS

D508,605 S *	8/2005	Hwang et al. ....	D3/218	
D517,310 S *	3/2006	Aron et al. ....	D3/218	
				* cited by examiner
D529,713 S *	10/2006	Guyot et al. ....	D3/218	
D594,224 S *	6/2009	Leung et al. ....	D3/218	

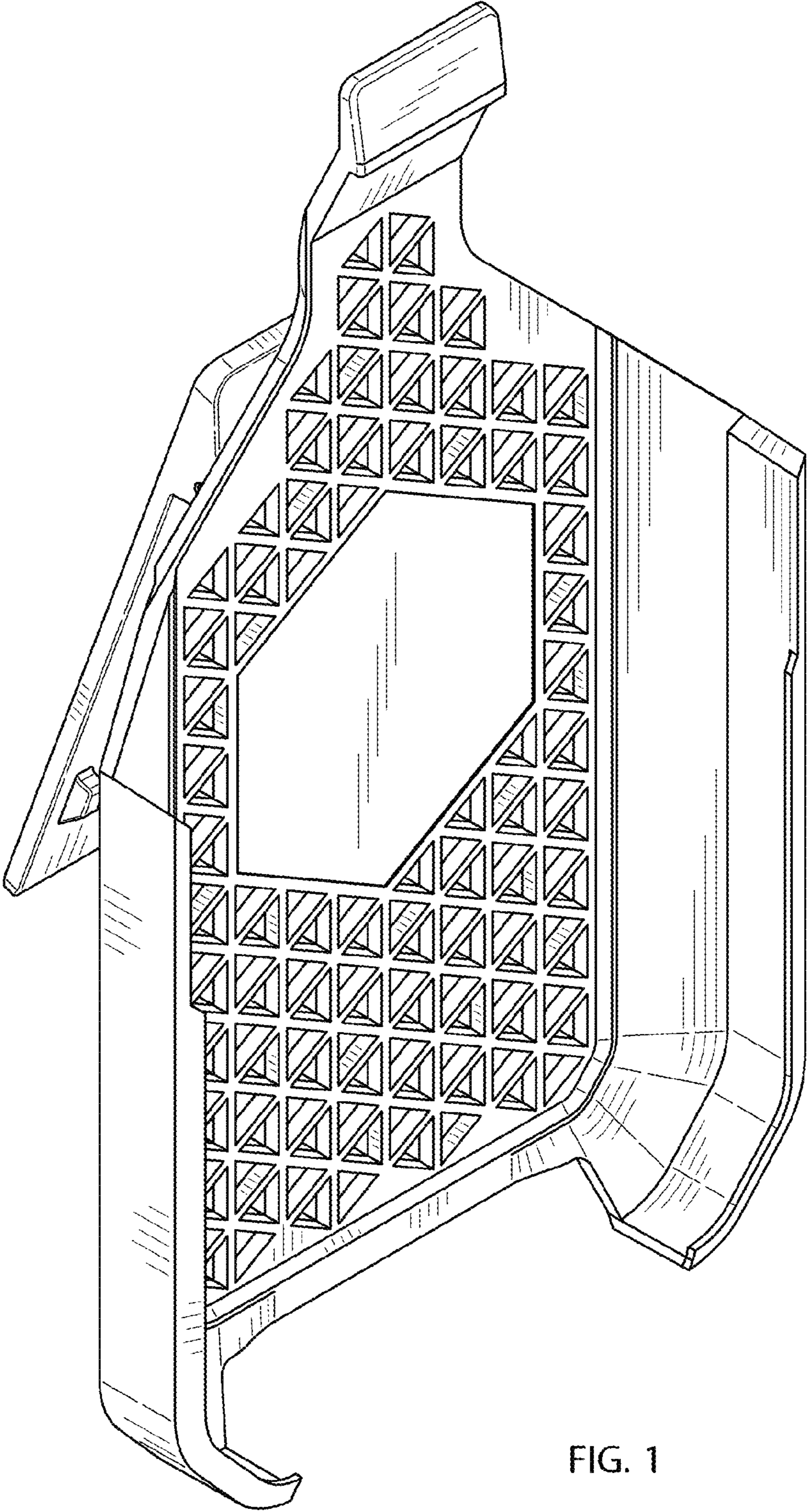


FIG. 1

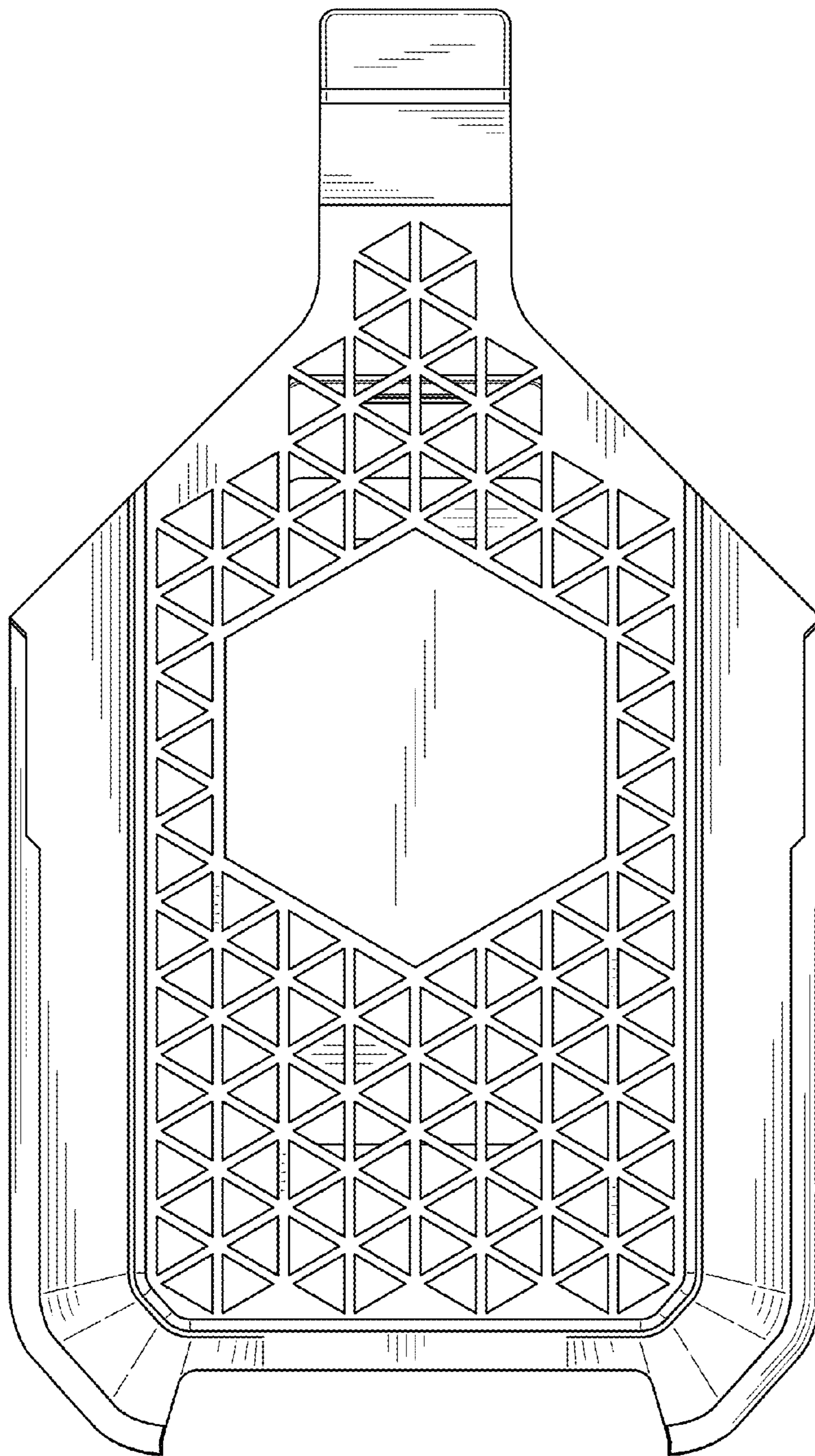


FIG. 2

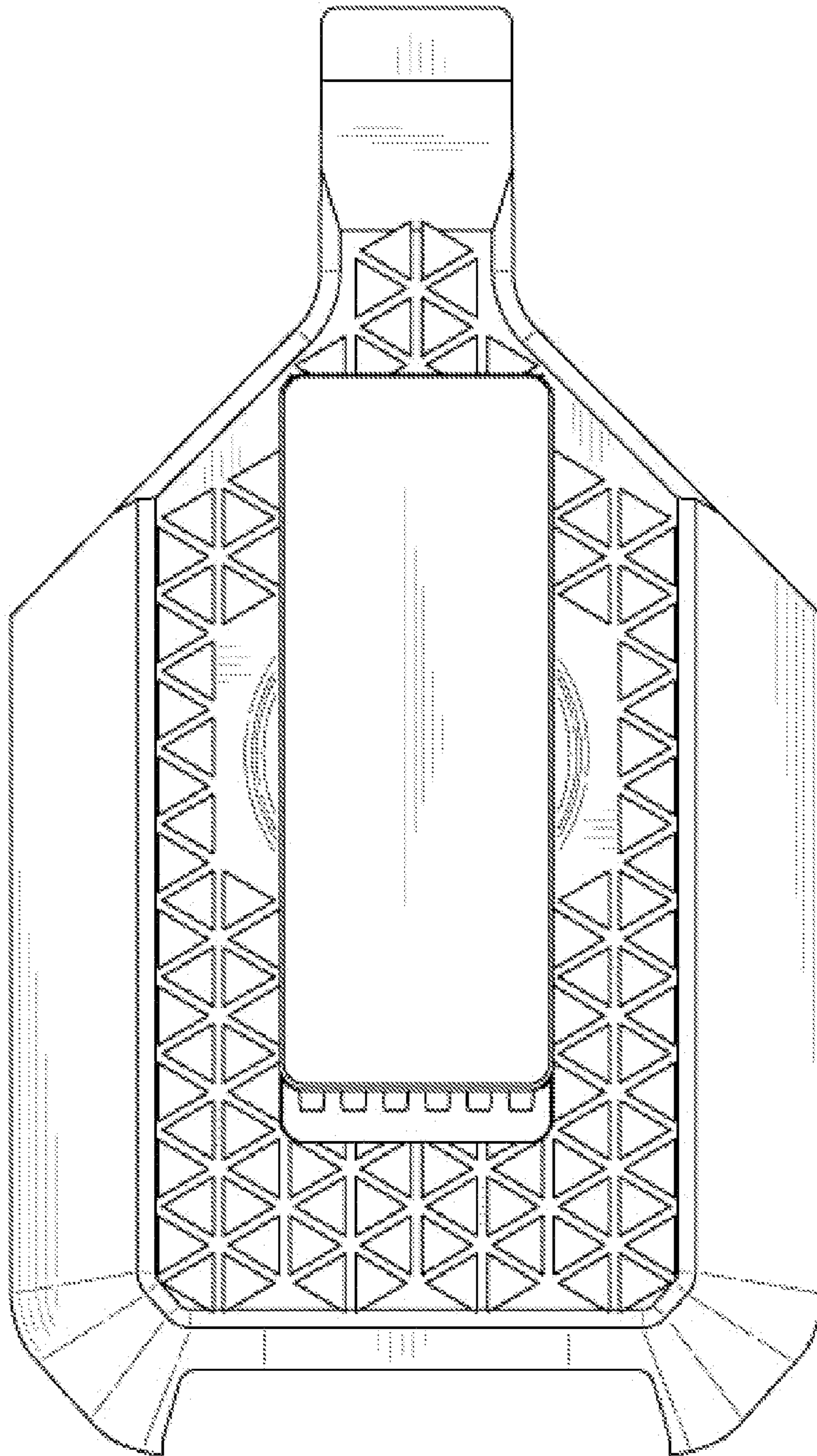


FIG. 3

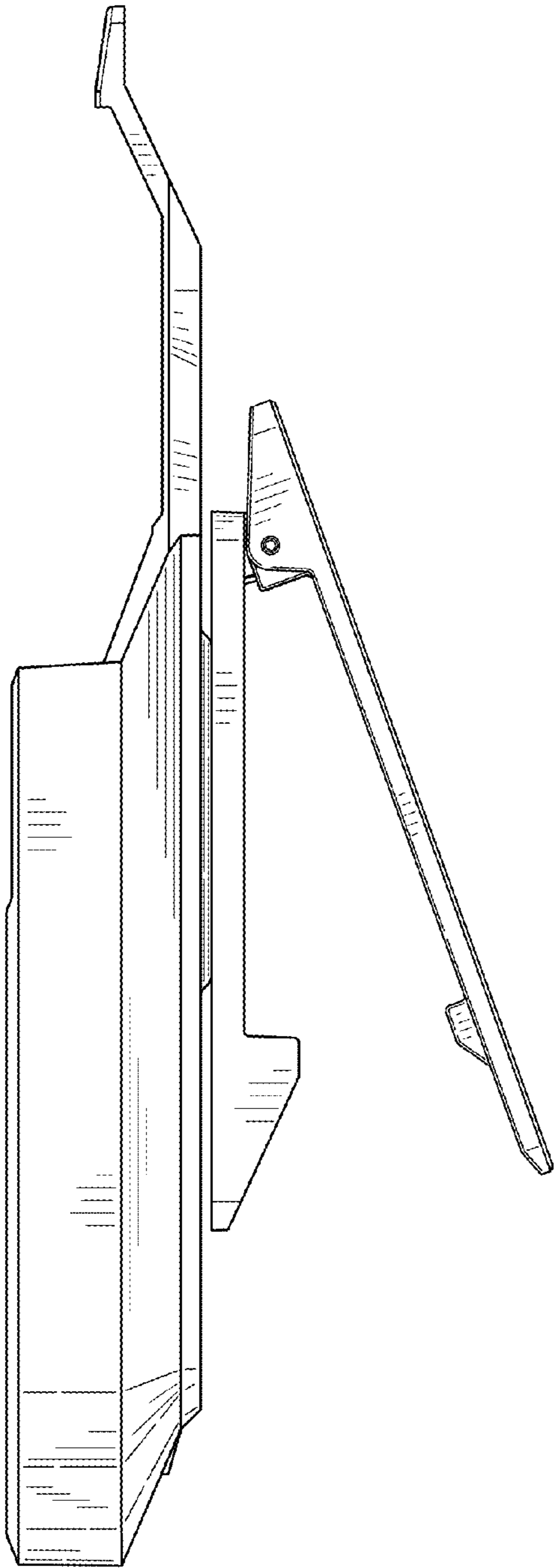


FIG. 4

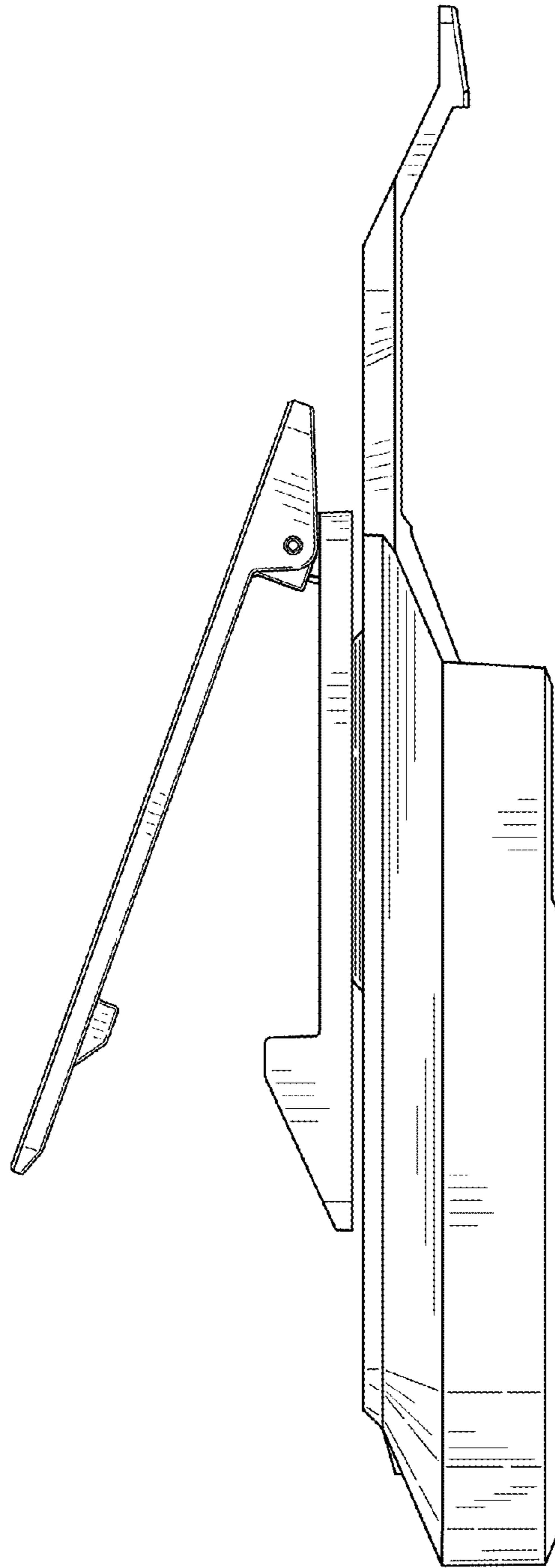


FIG. 5

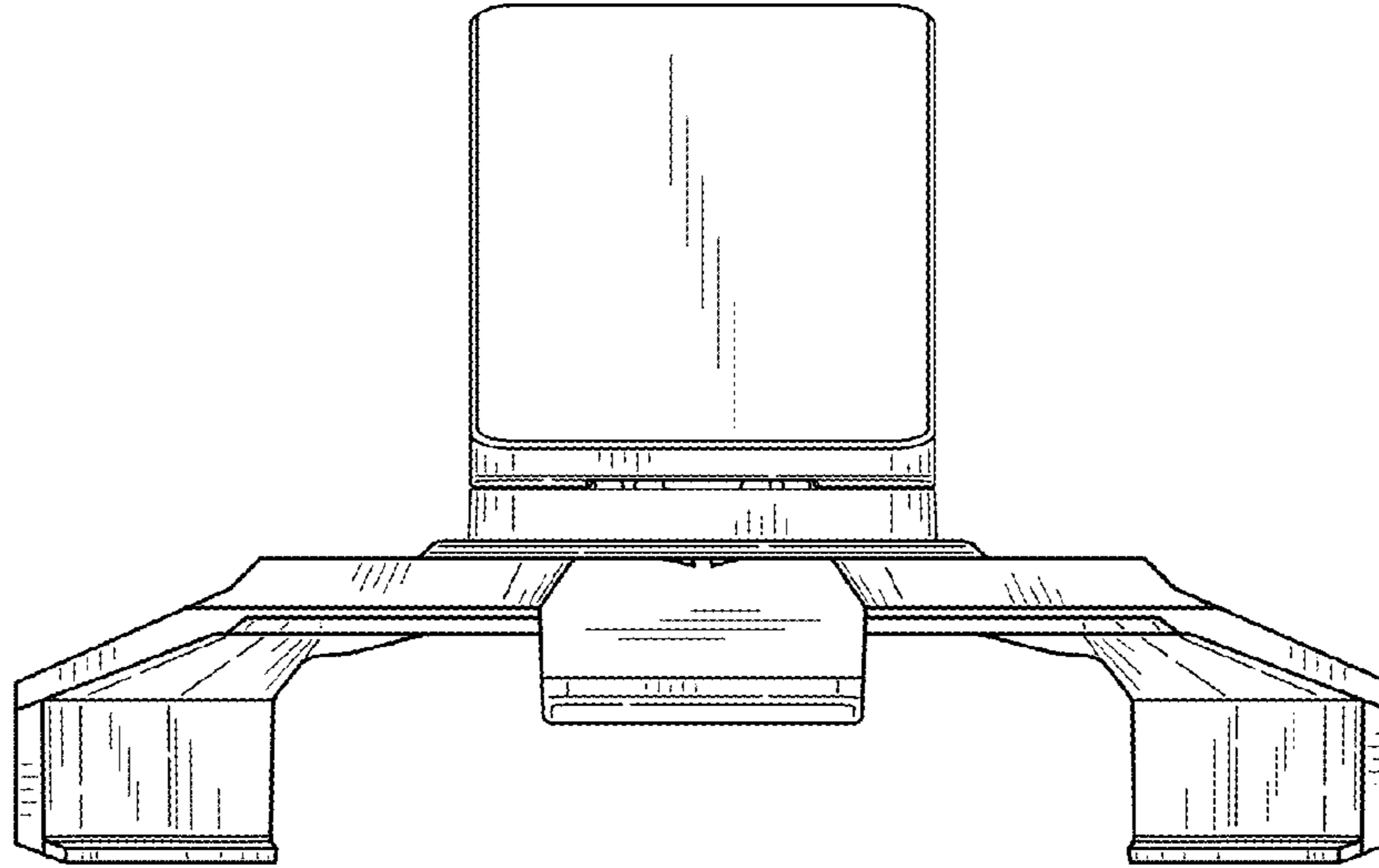


FIG. 6

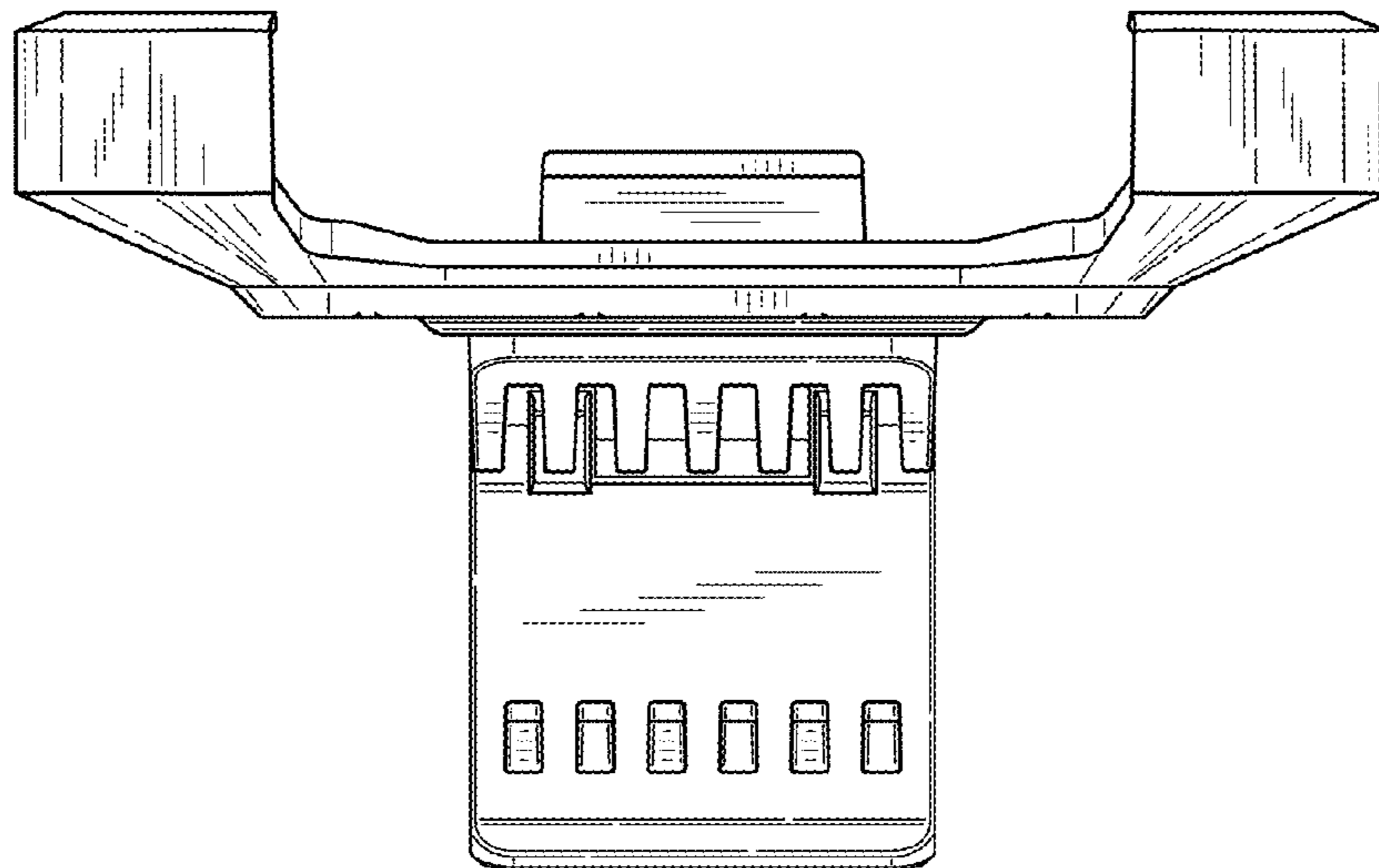


FIG. 7

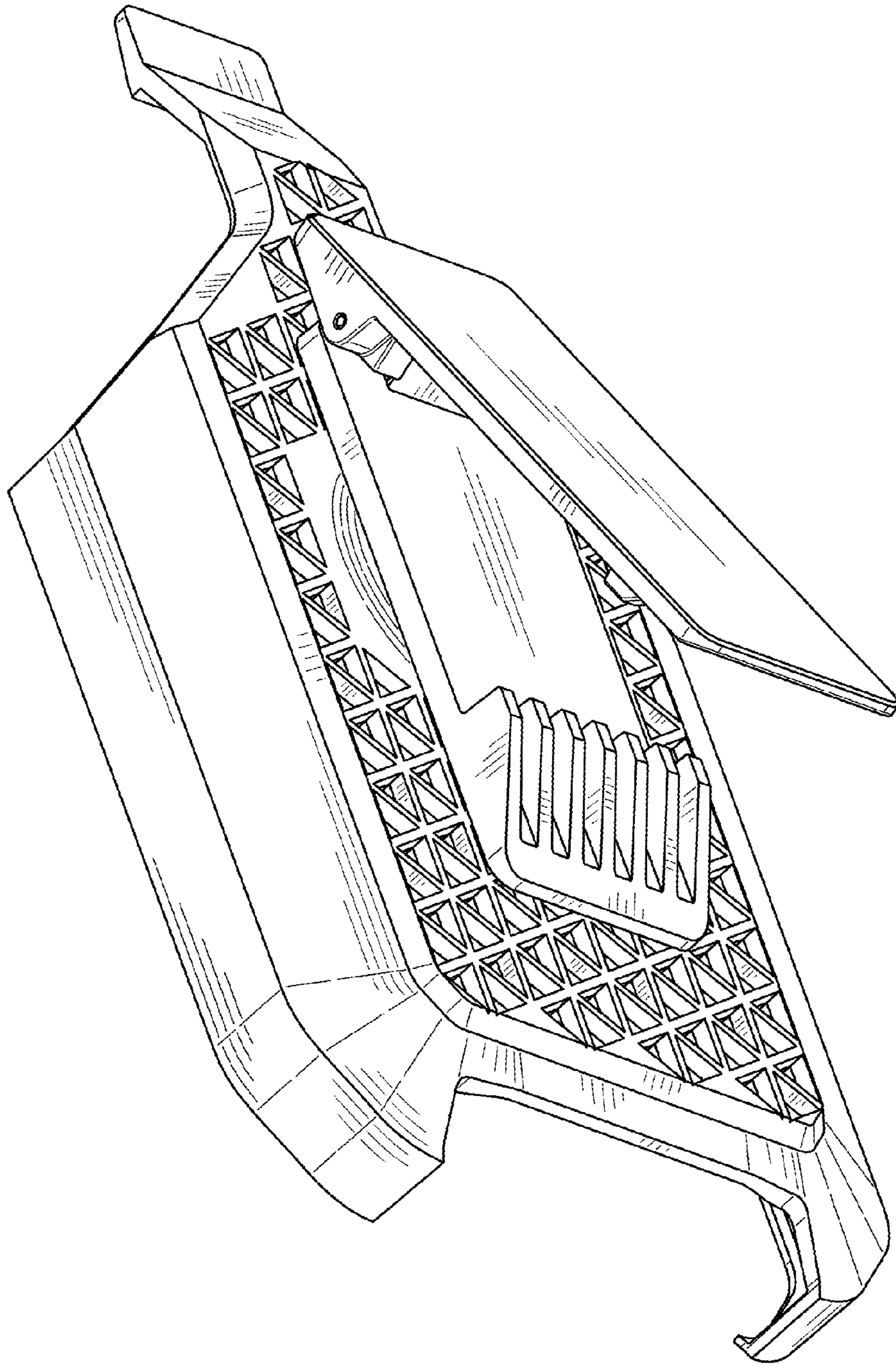


FIG. 8



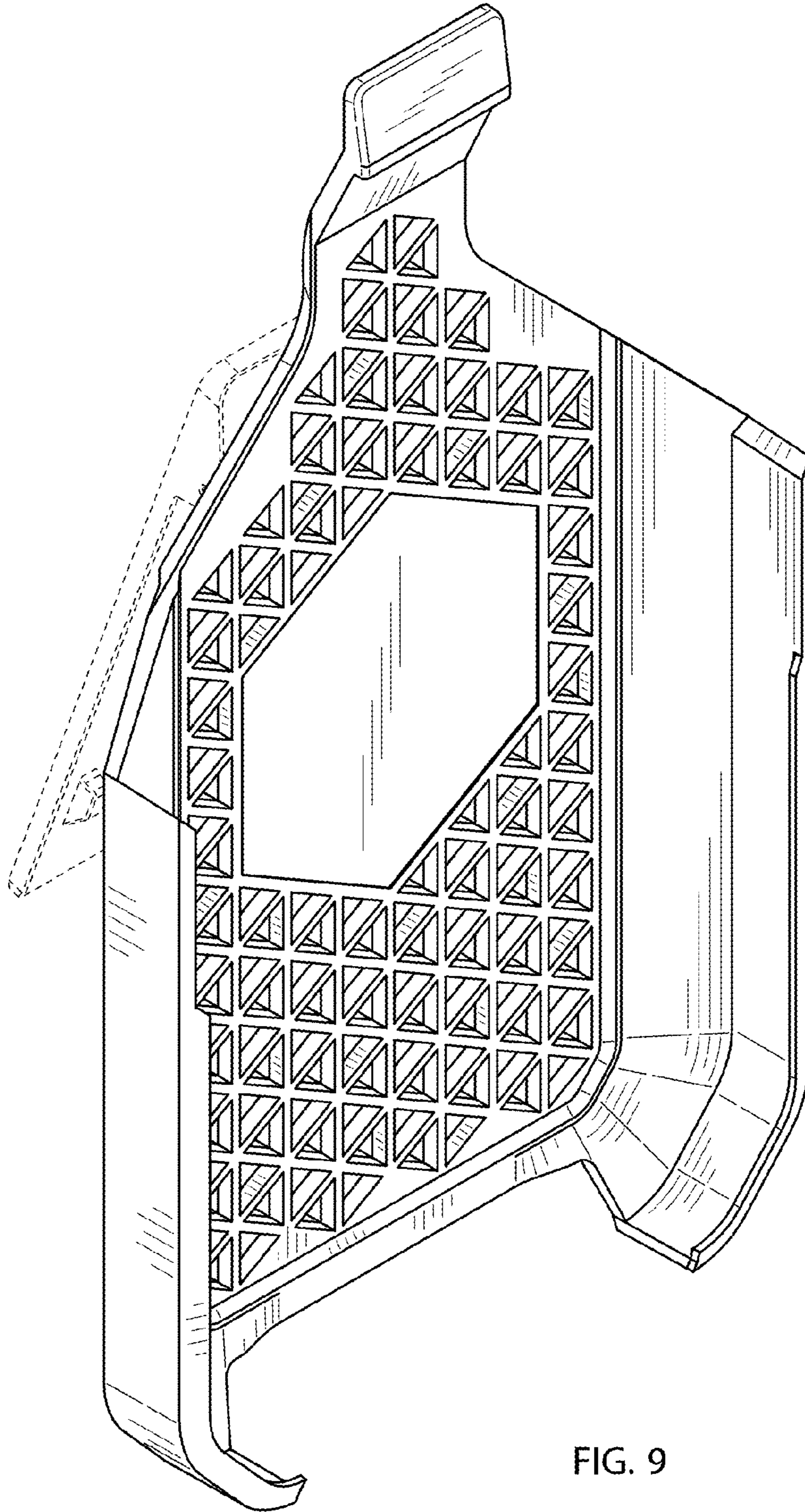


FIG. 9

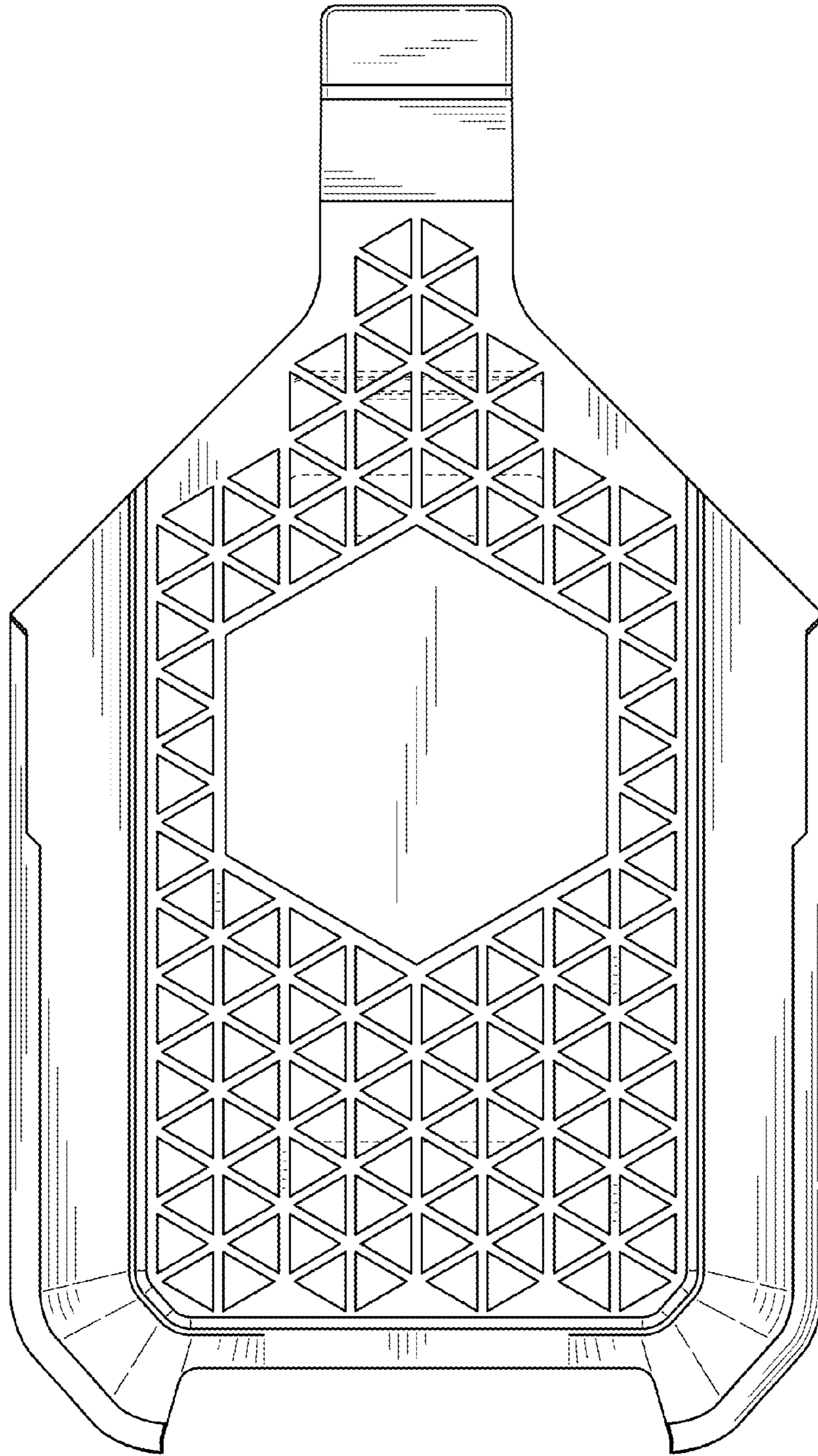


FIG. 10

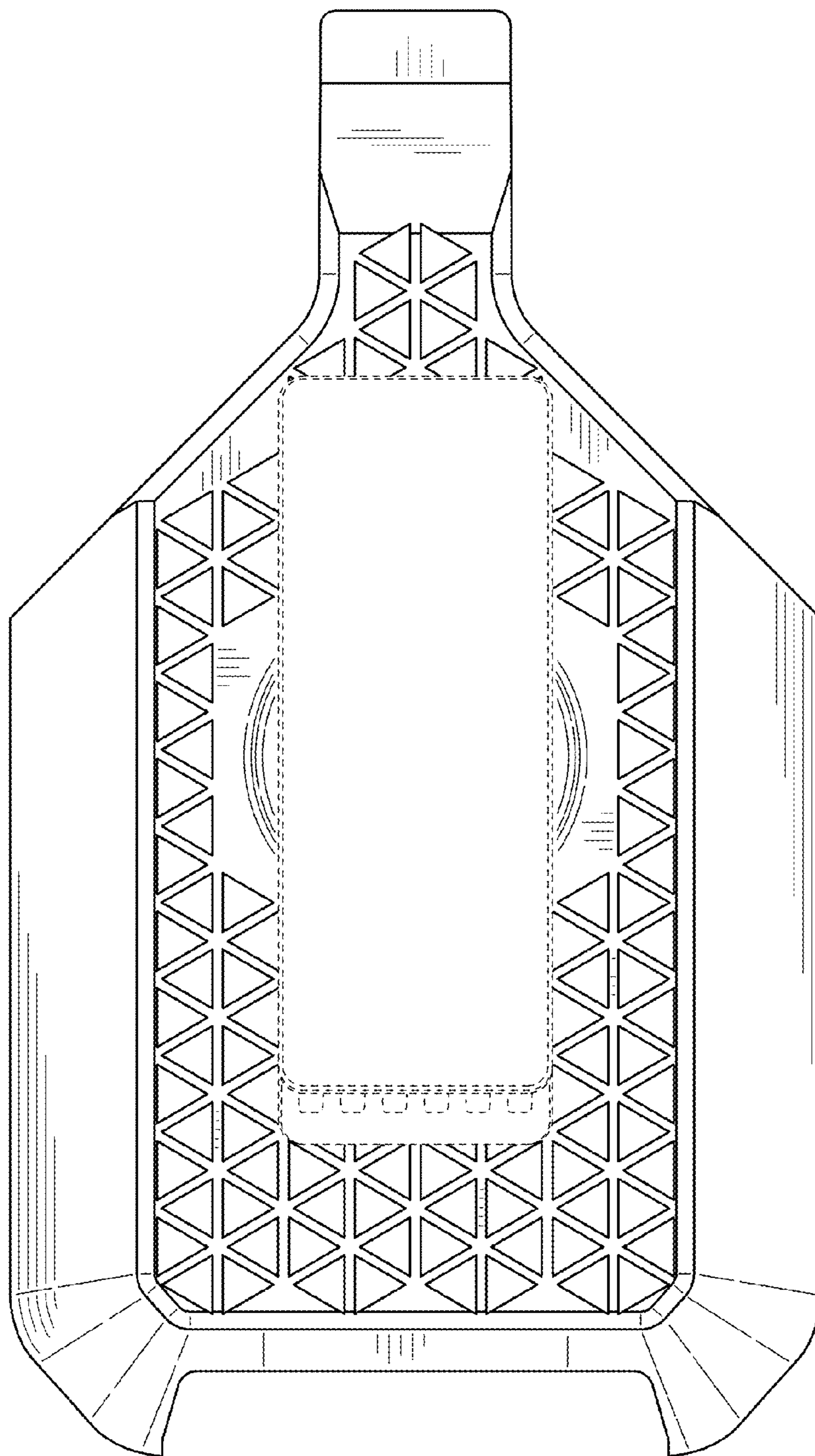


FIG. 11

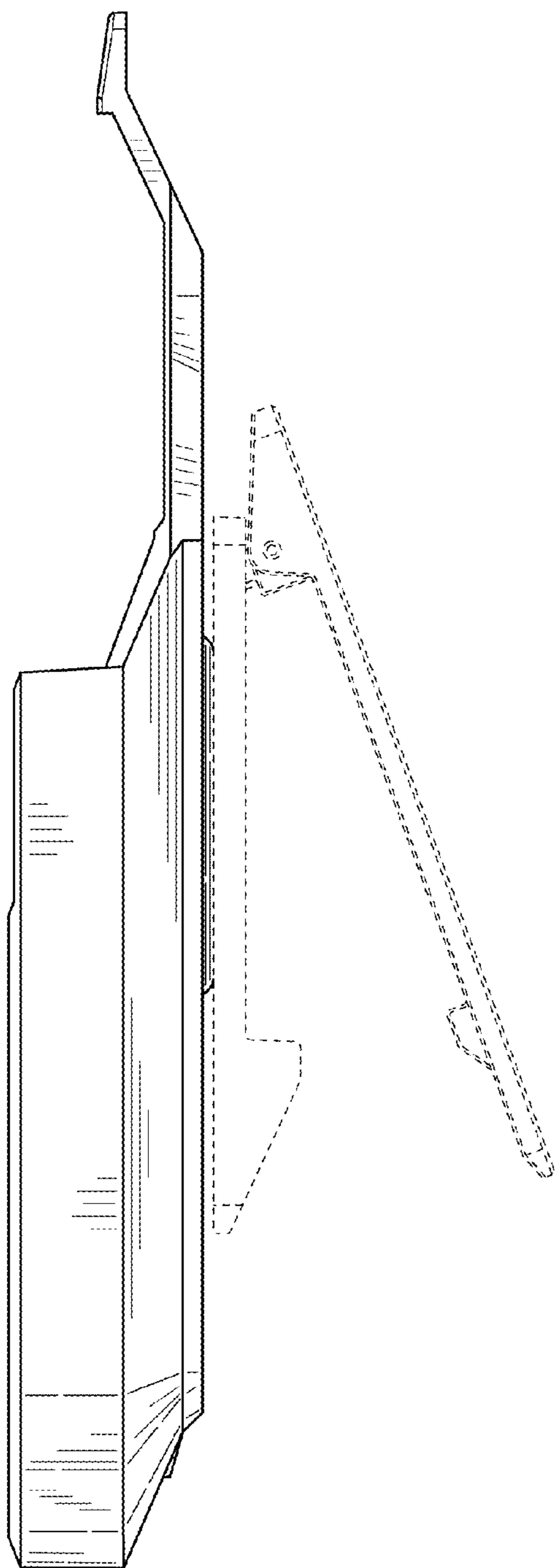


FIG. 12

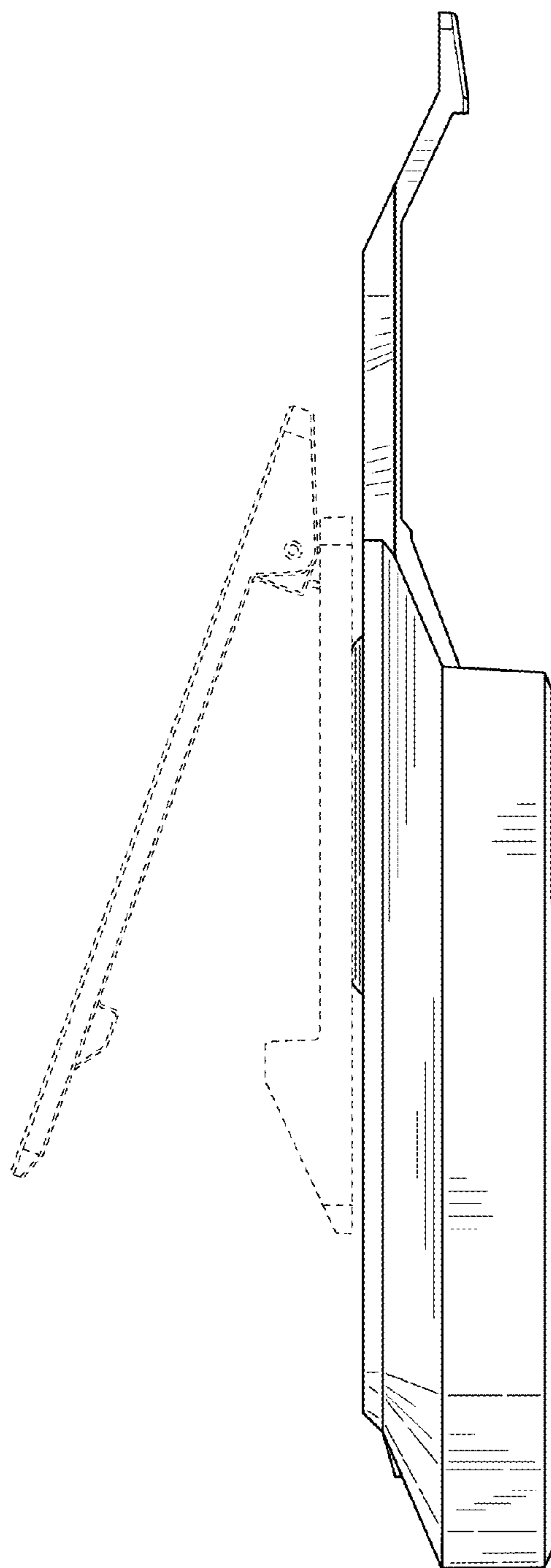


FIG. 13

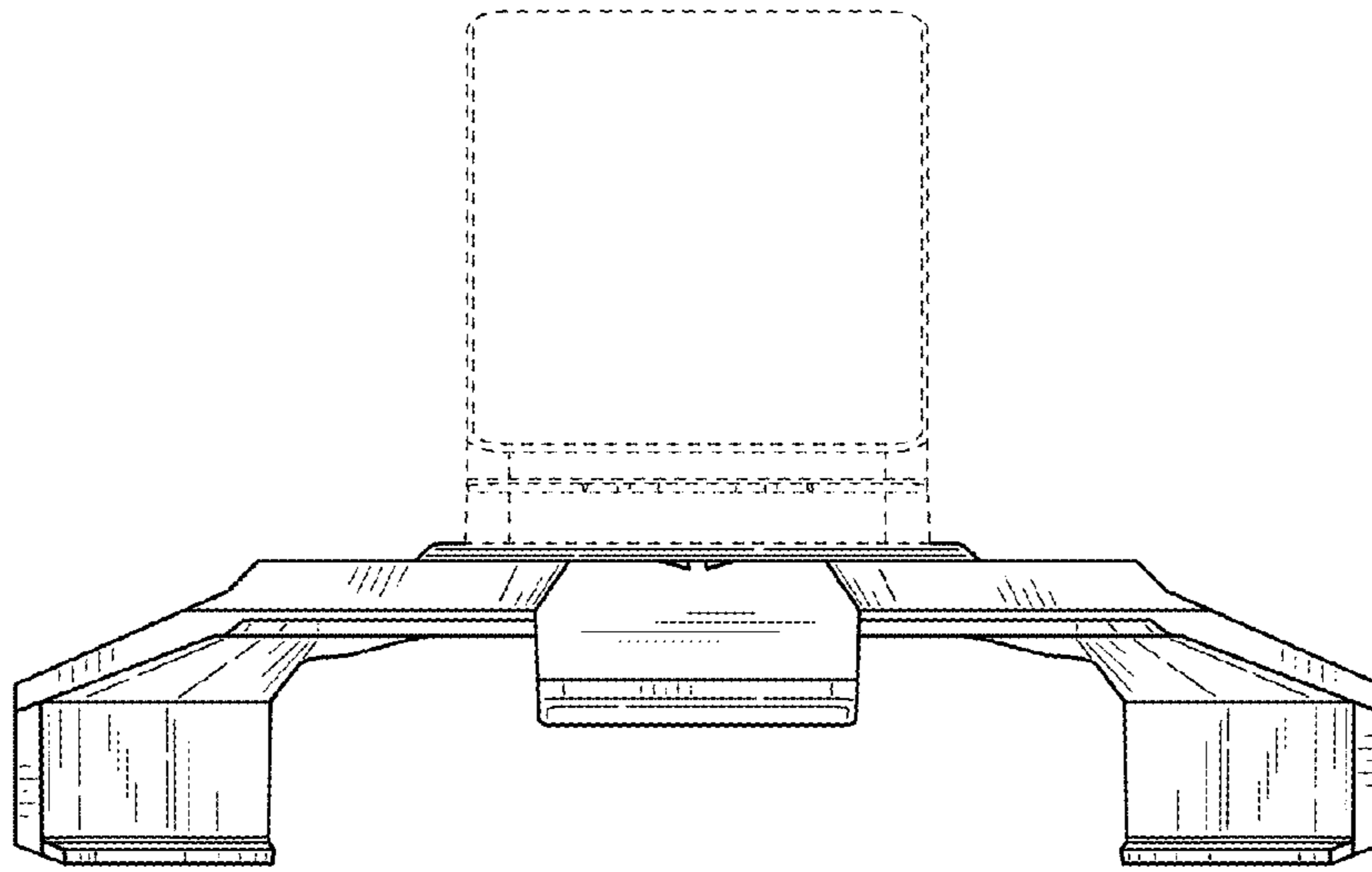


FIG. 14

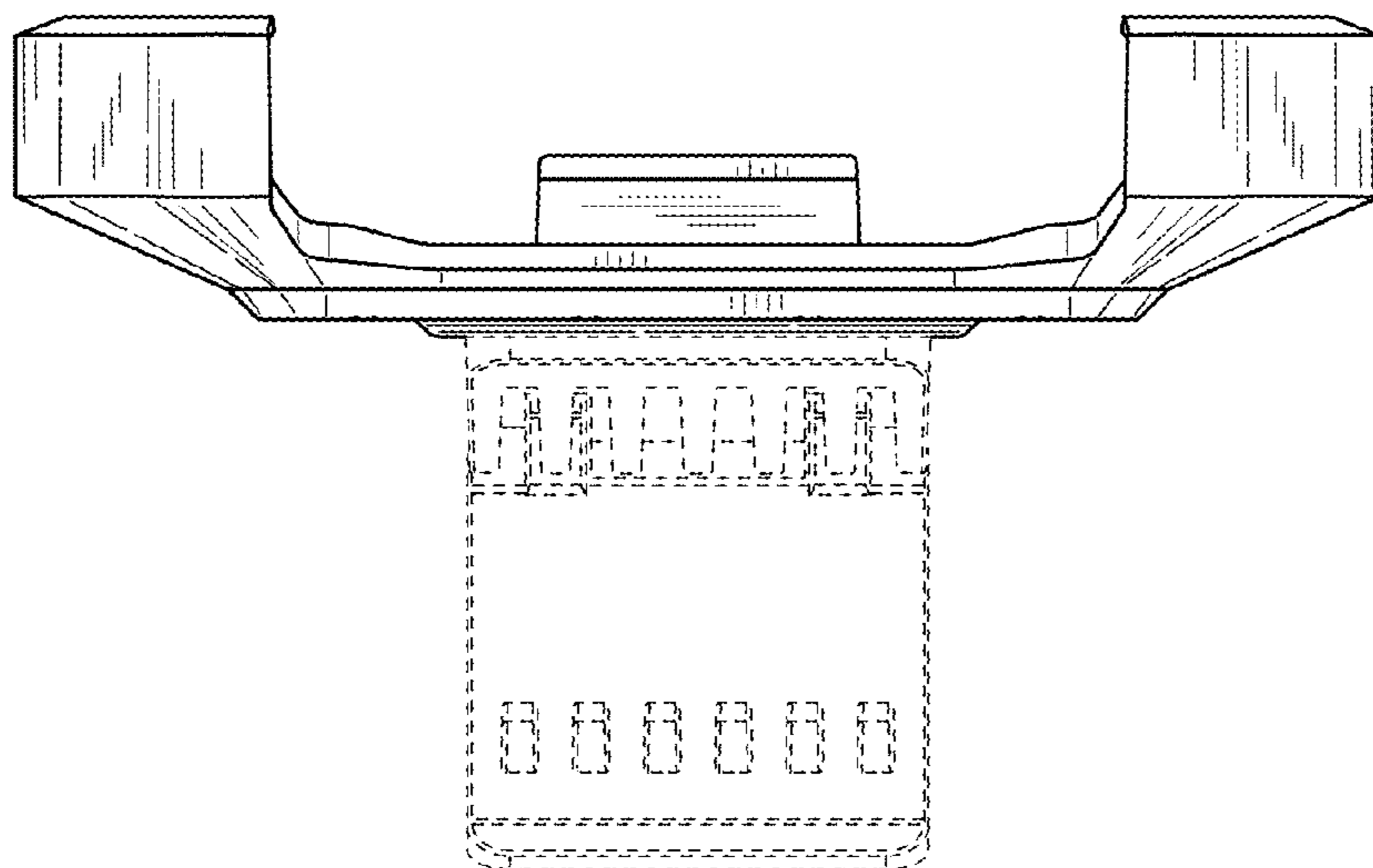


FIG. 15

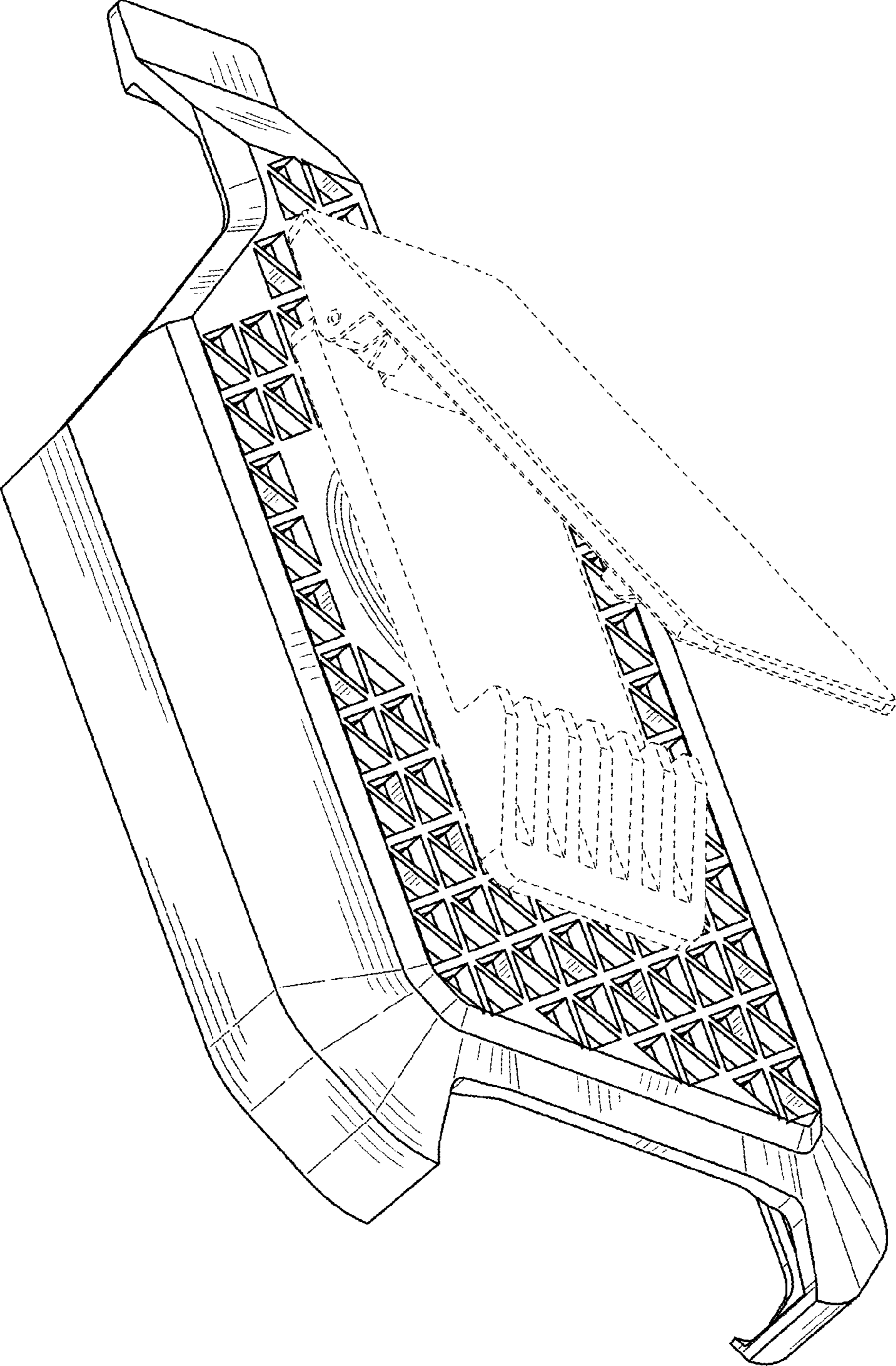


FIG. 16

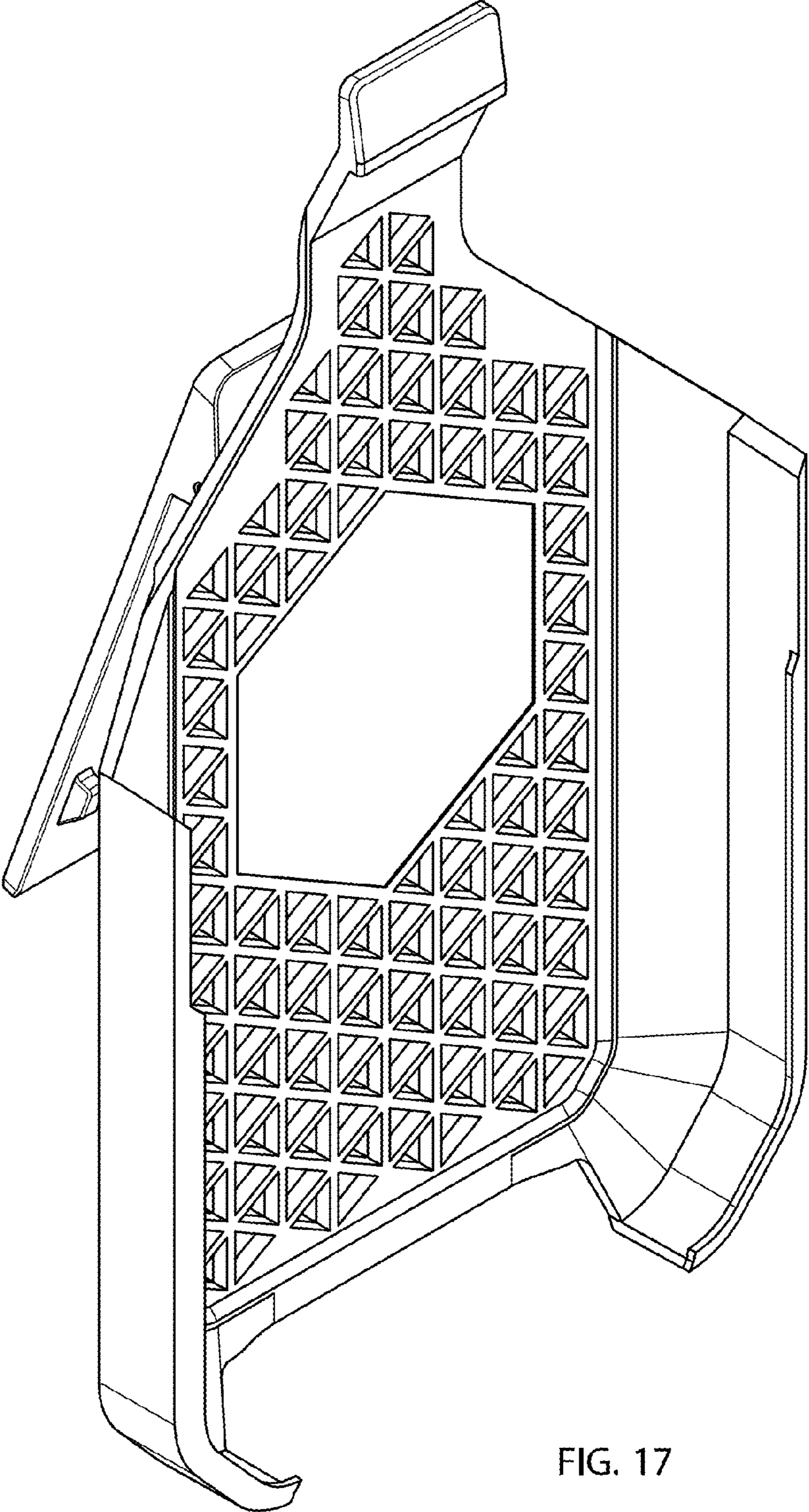


FIG. 17

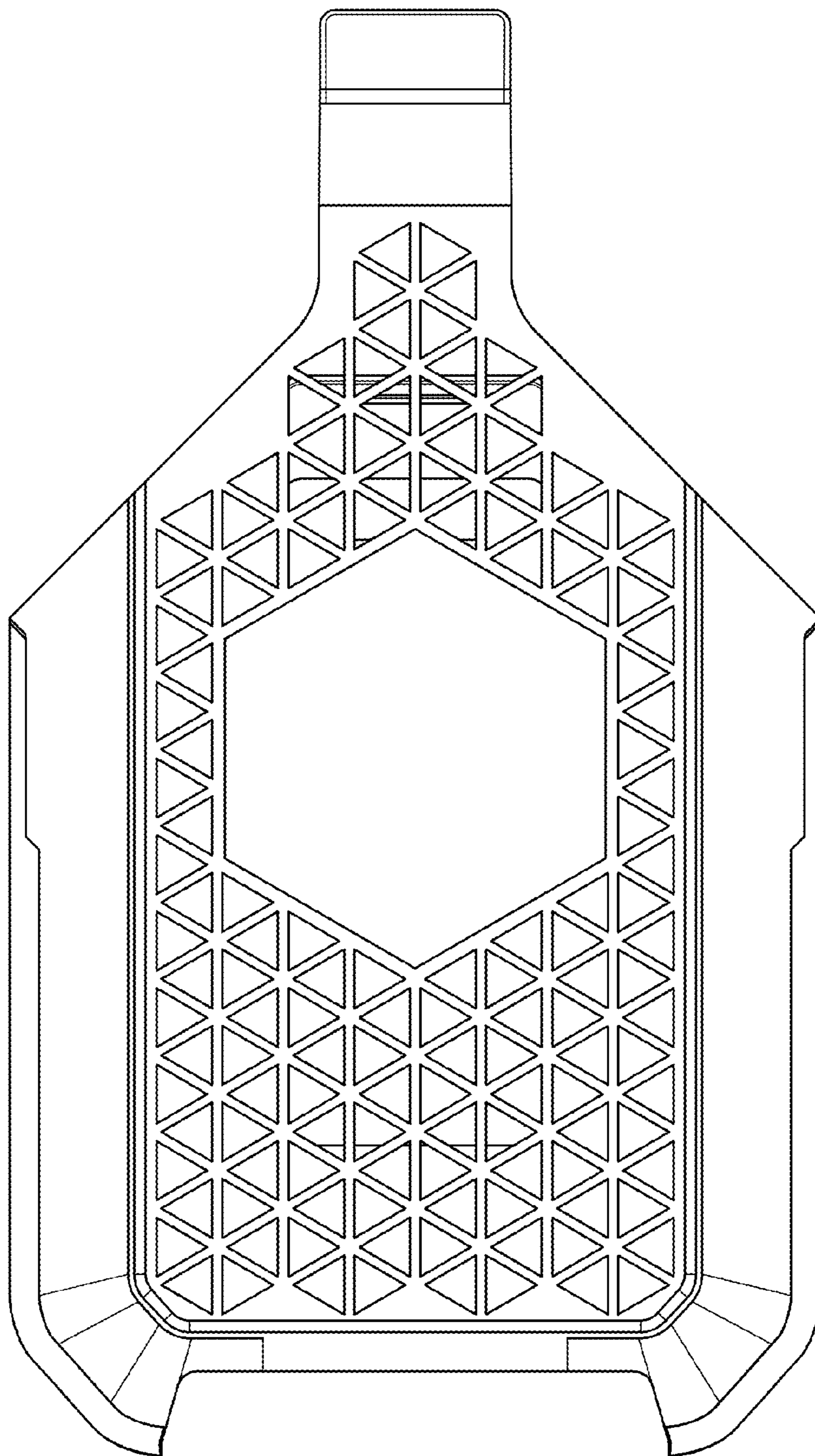


FIG. 18



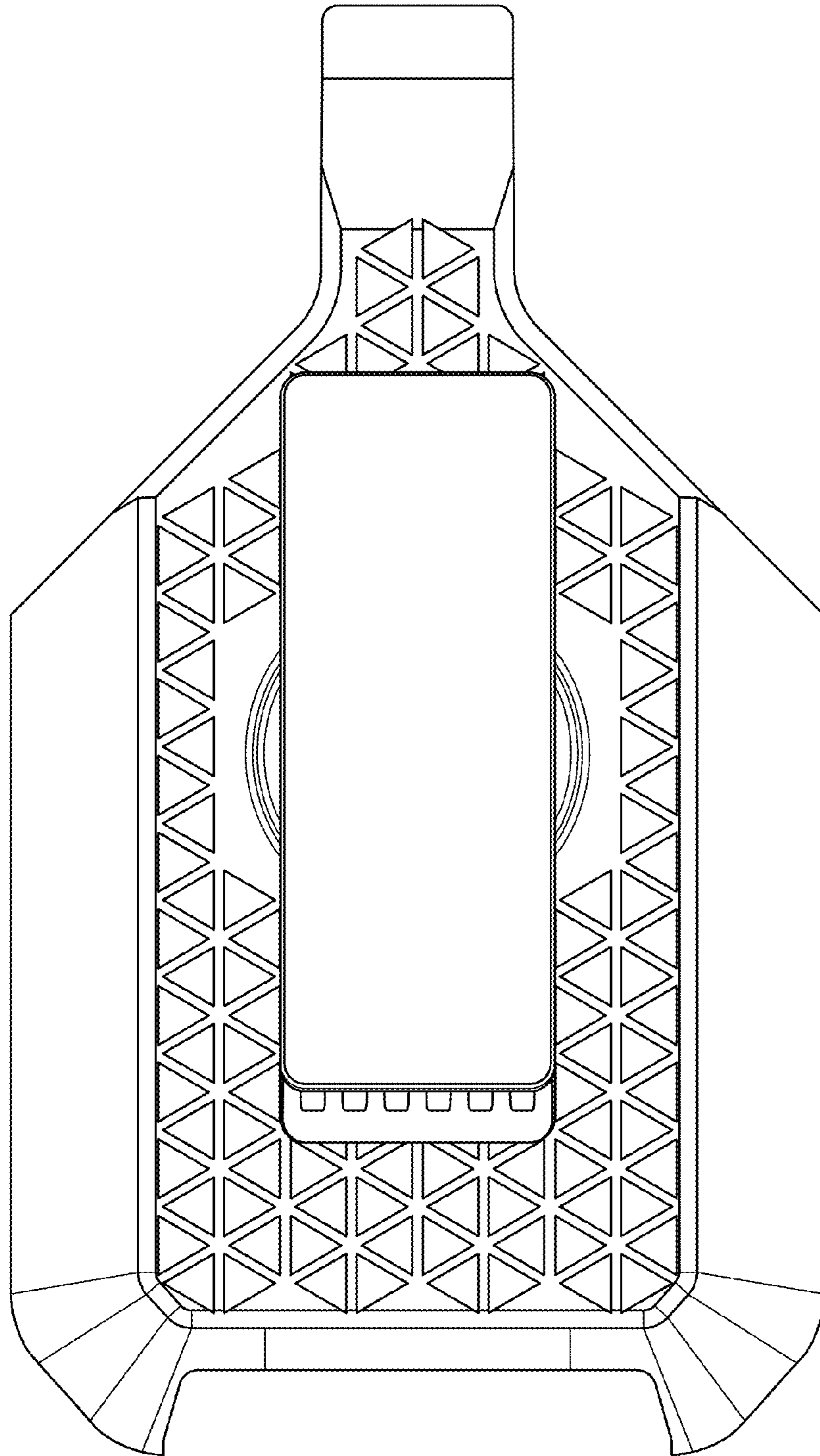


FIG. 19

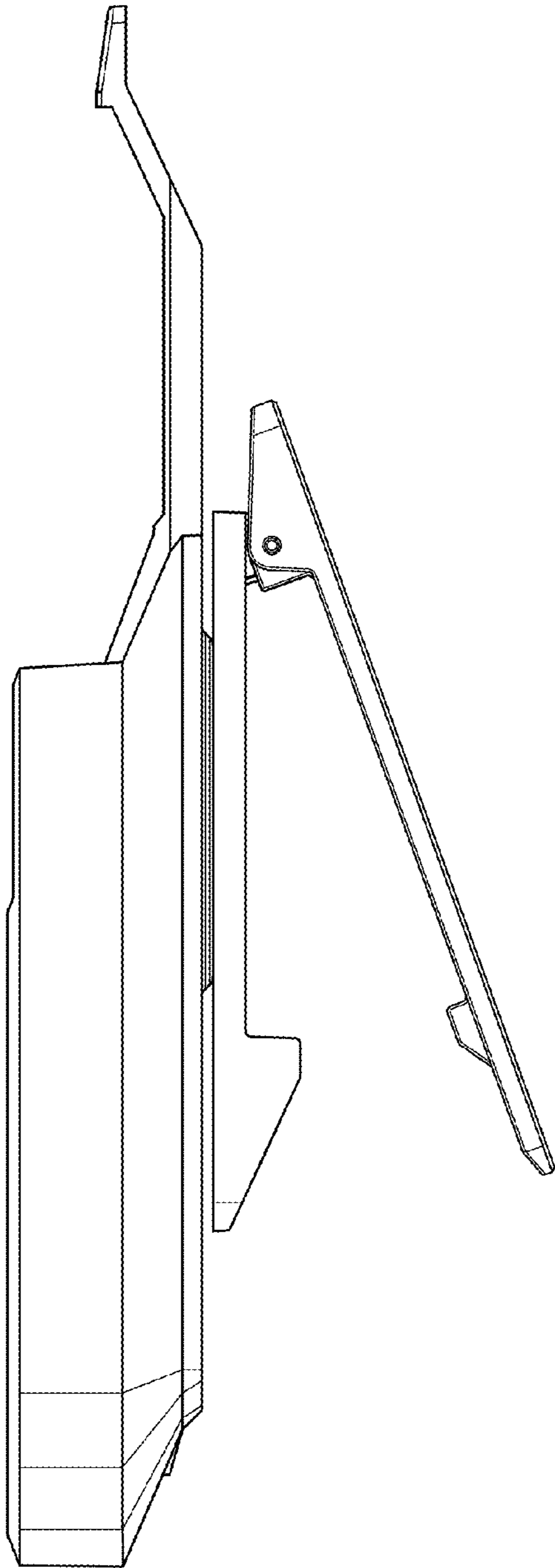


FIG. 20

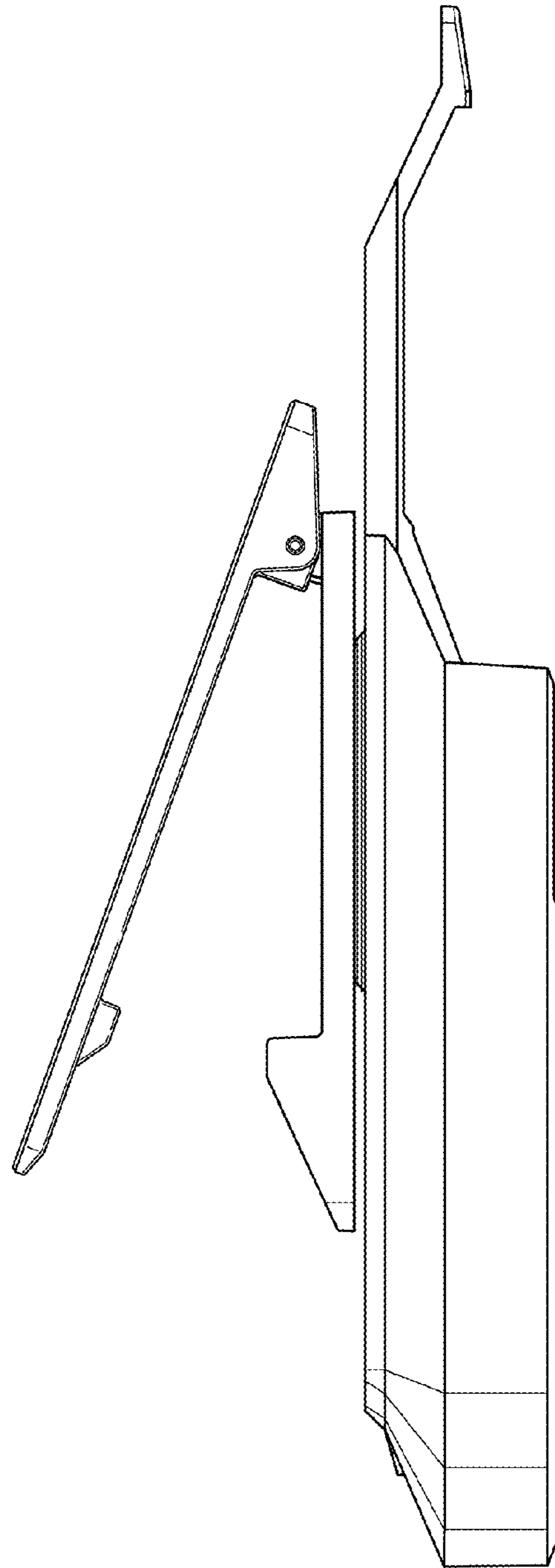


FIG. 21

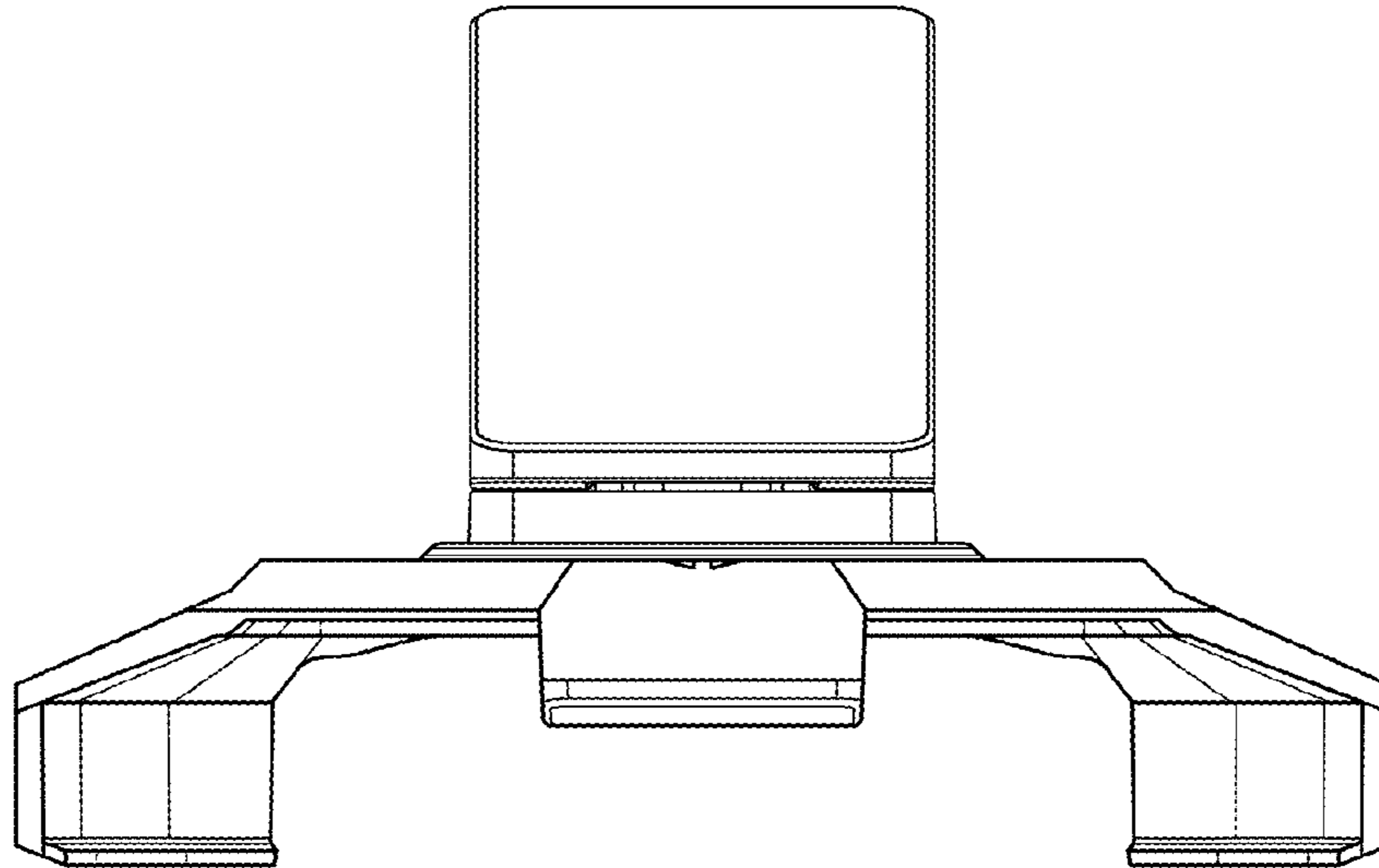


FIG. 22

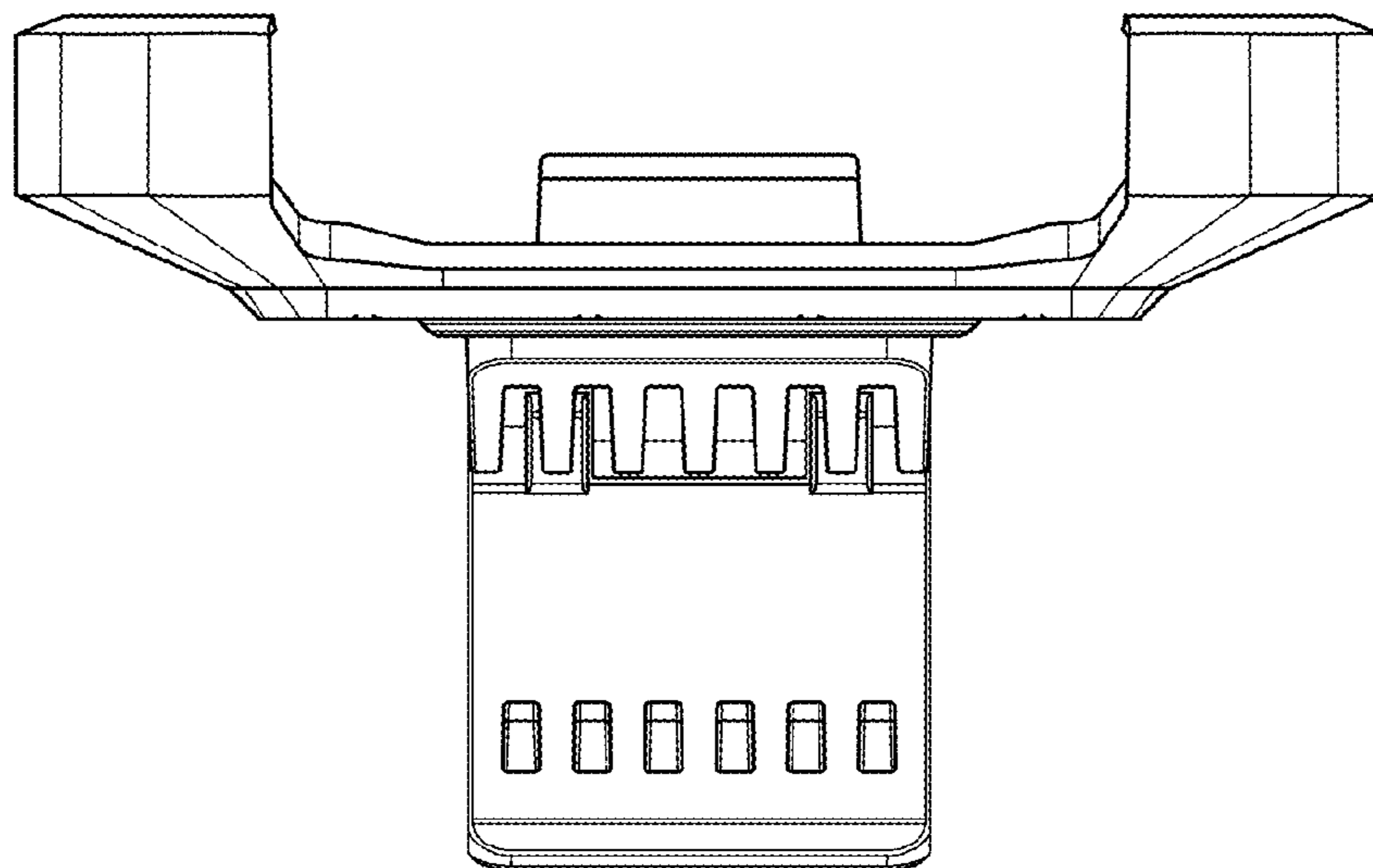


FIG. 23

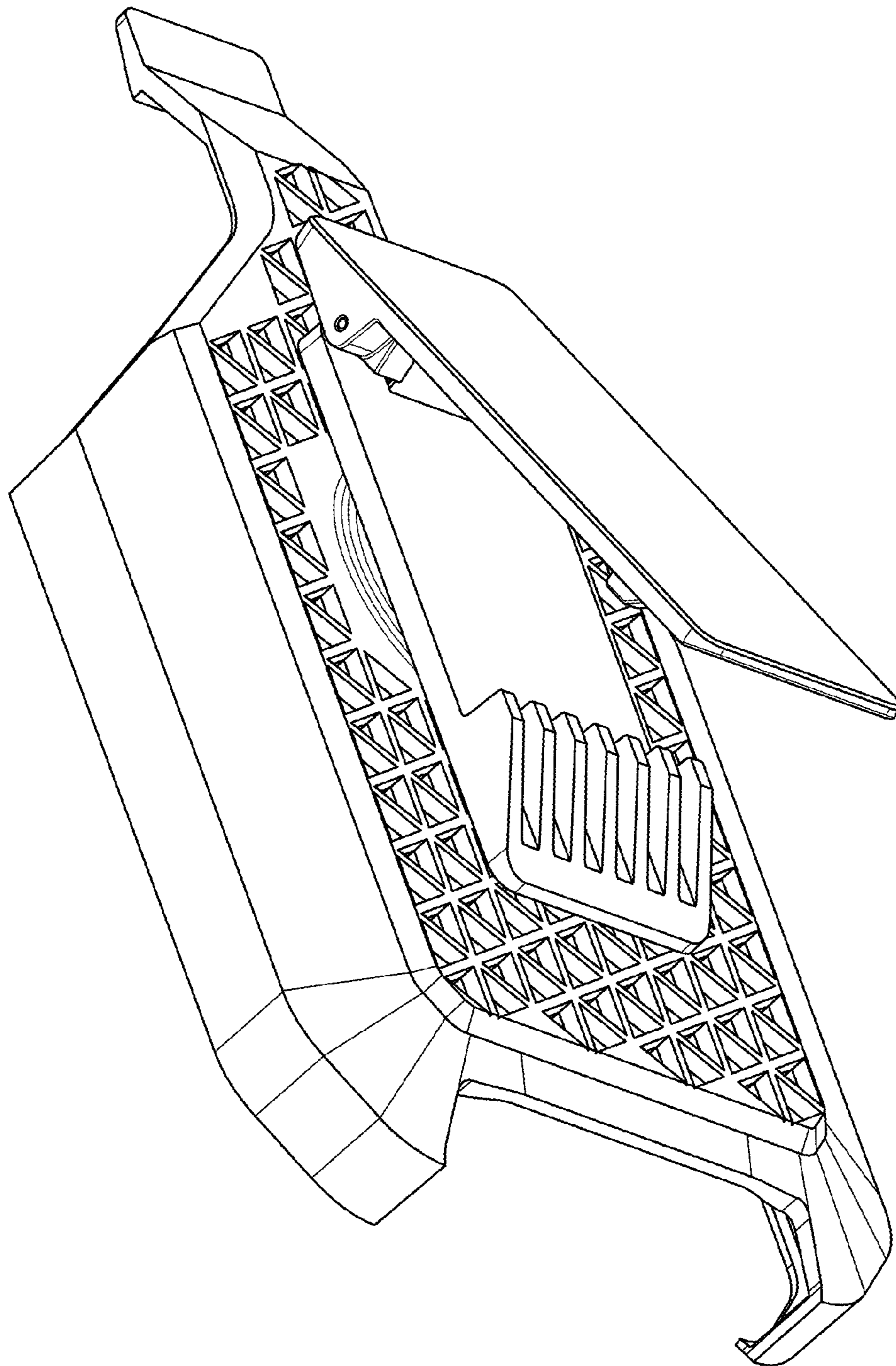


FIG. 24

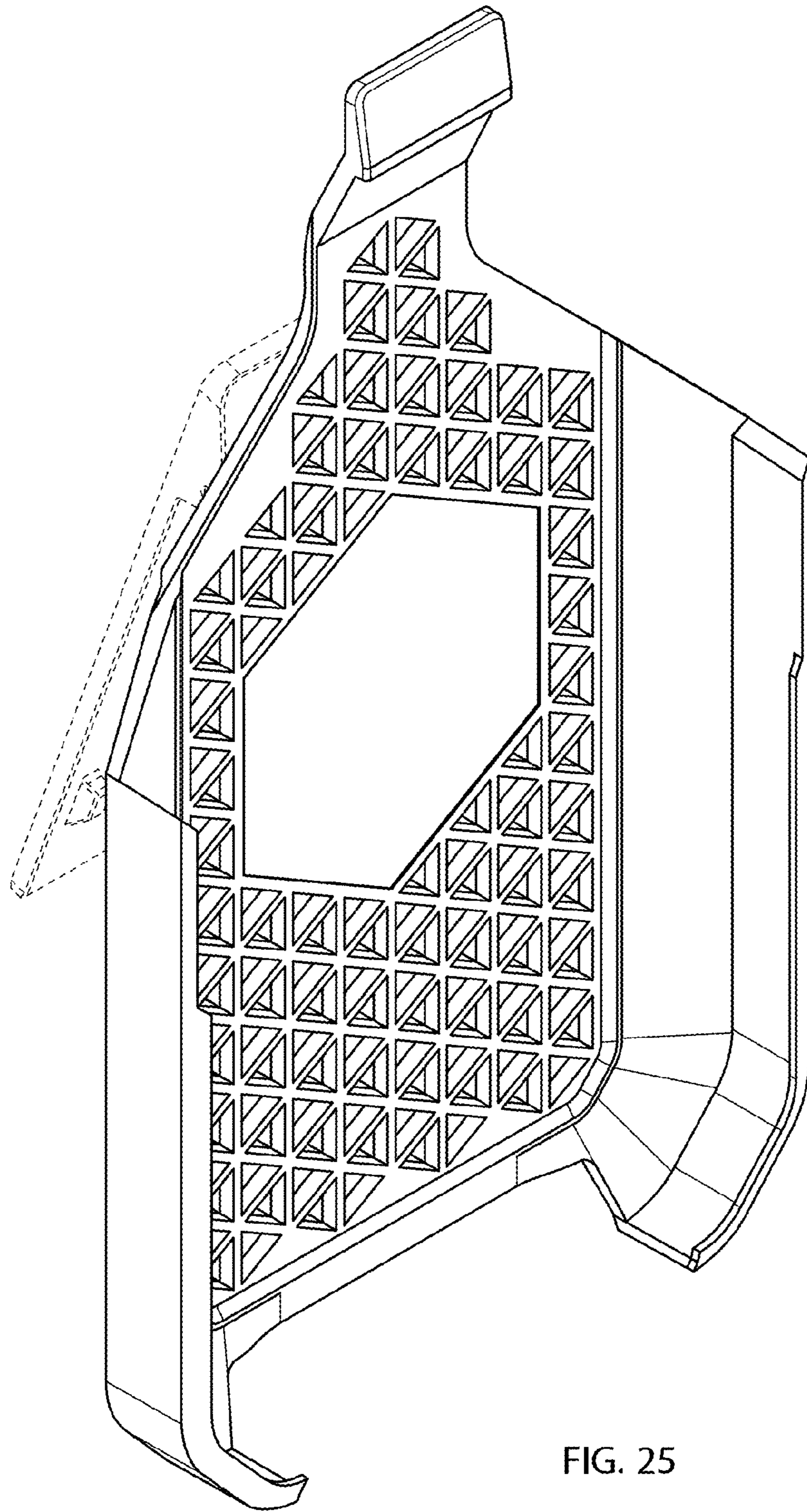


FIG. 25

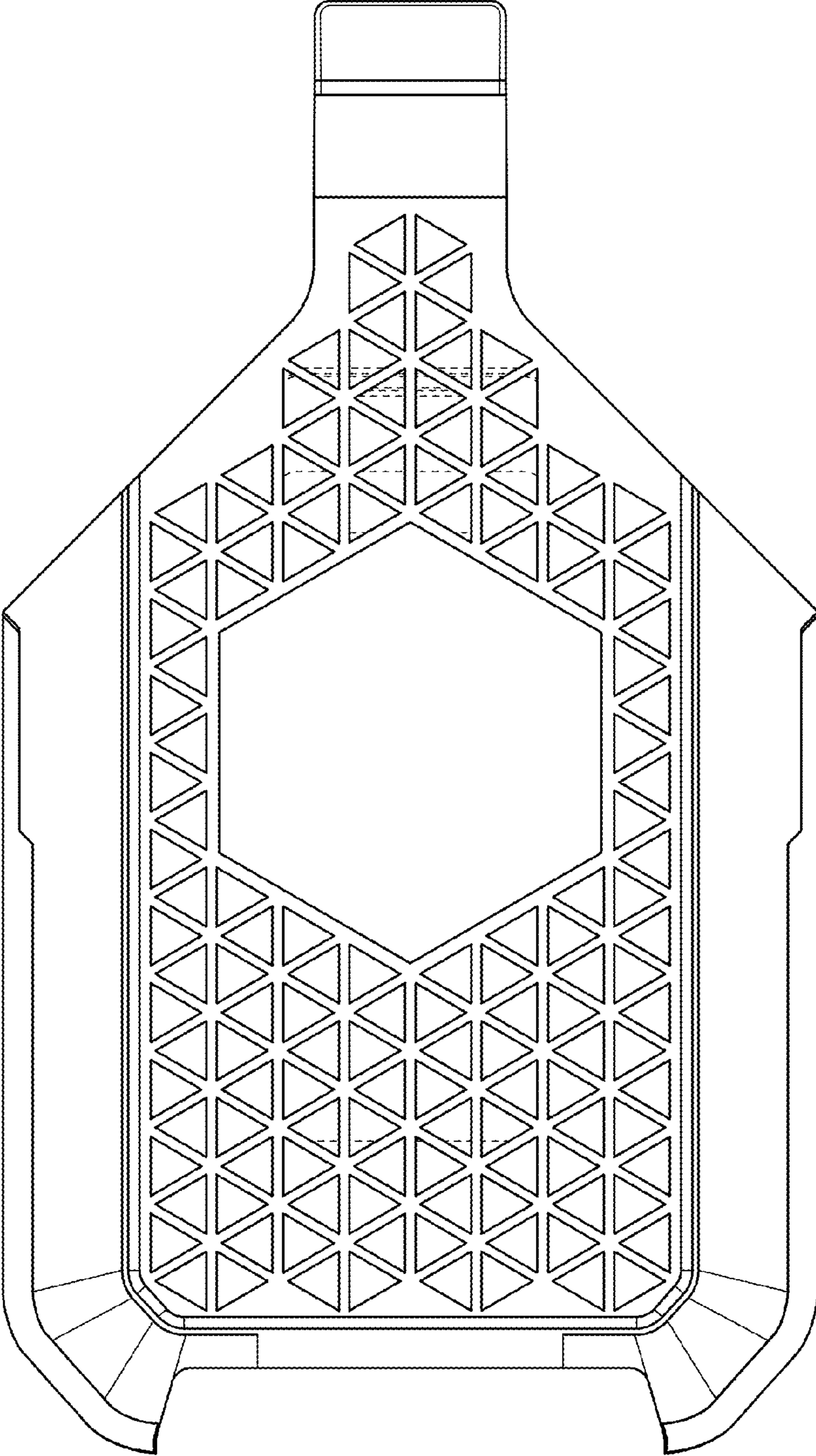


FIG. 26

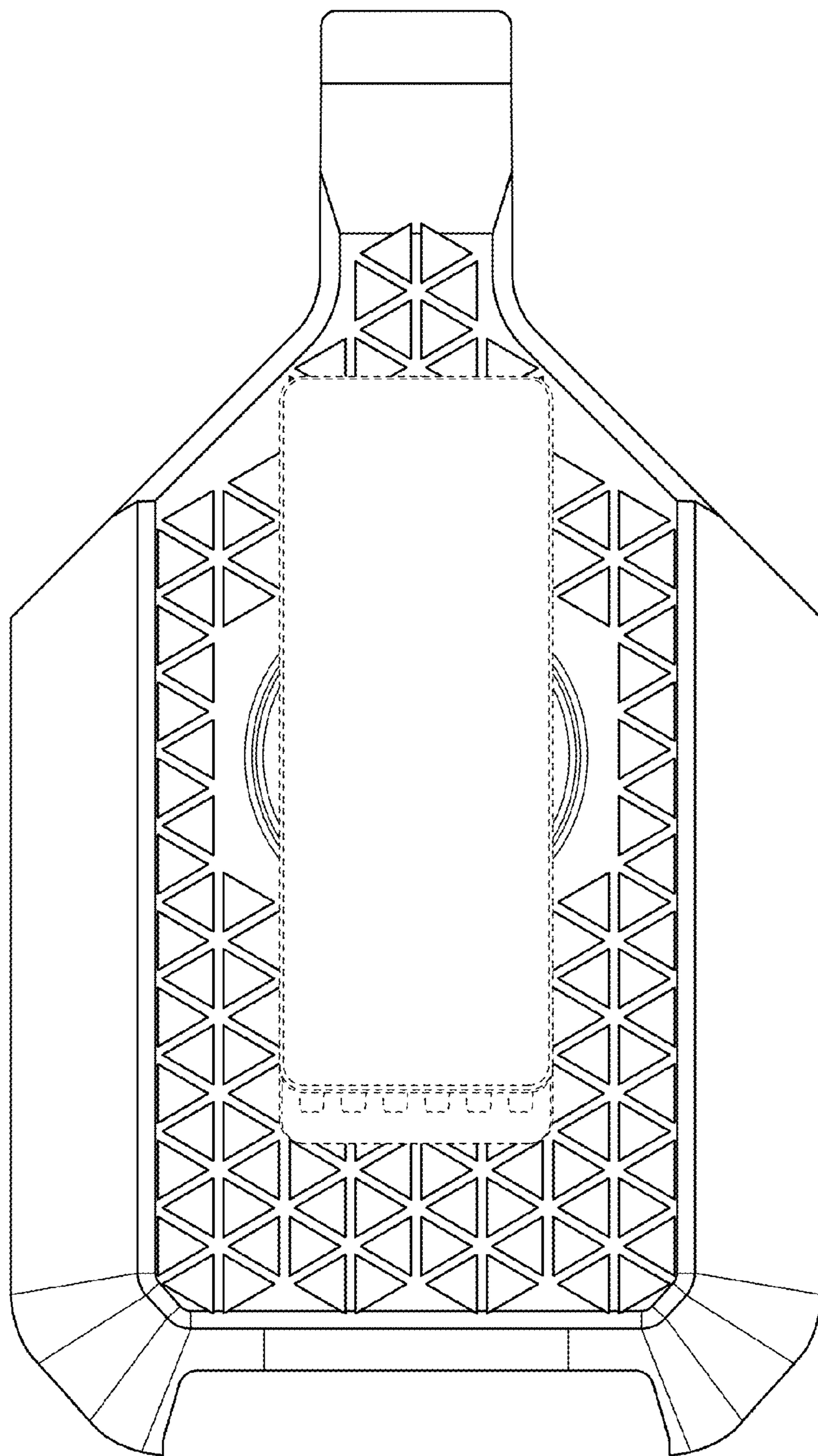


FIG. 27

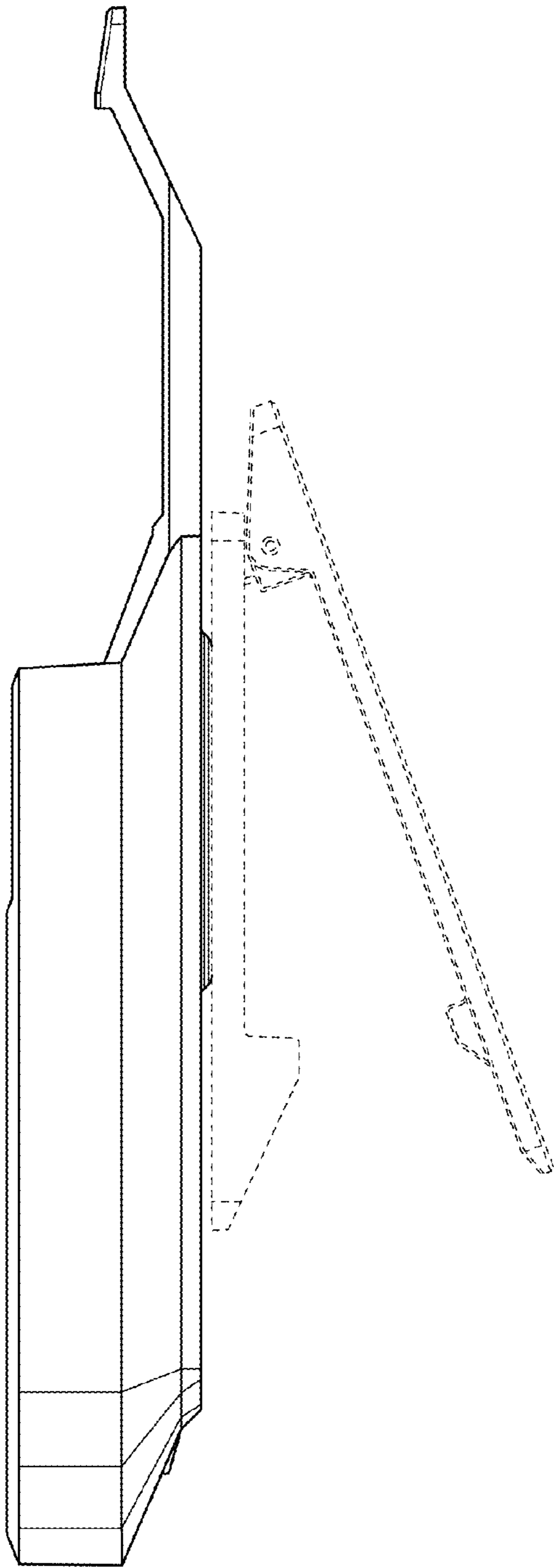


FIG. 28

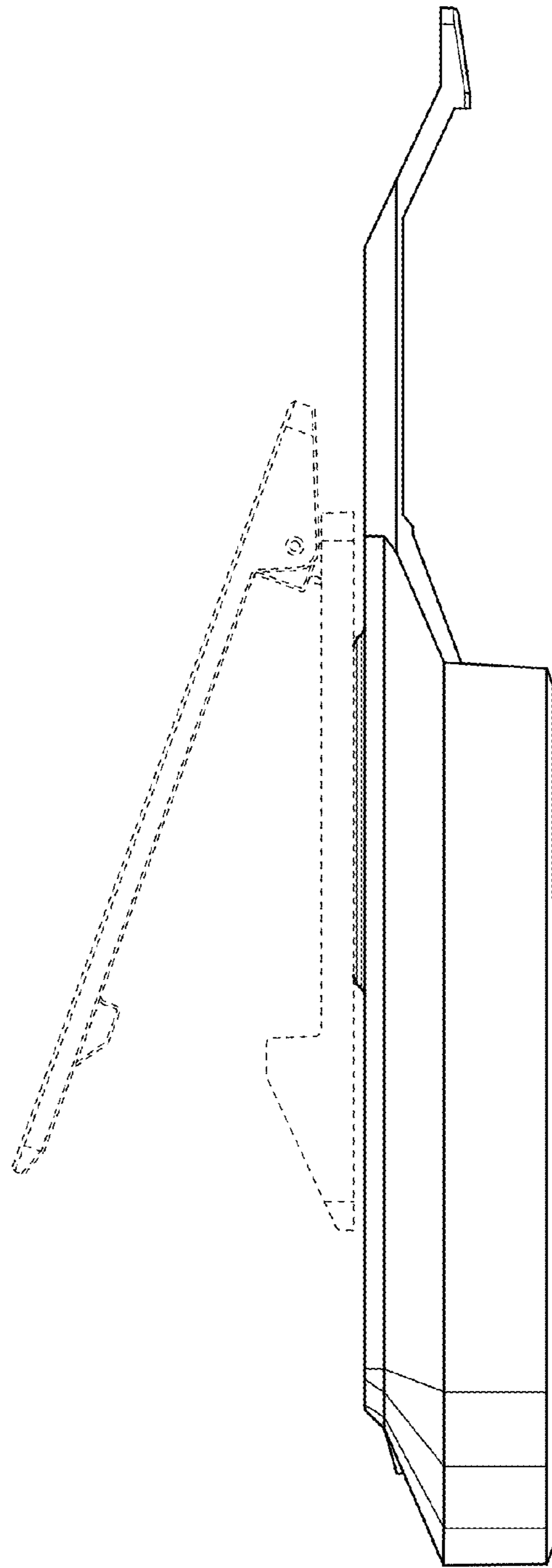


FIG. 29



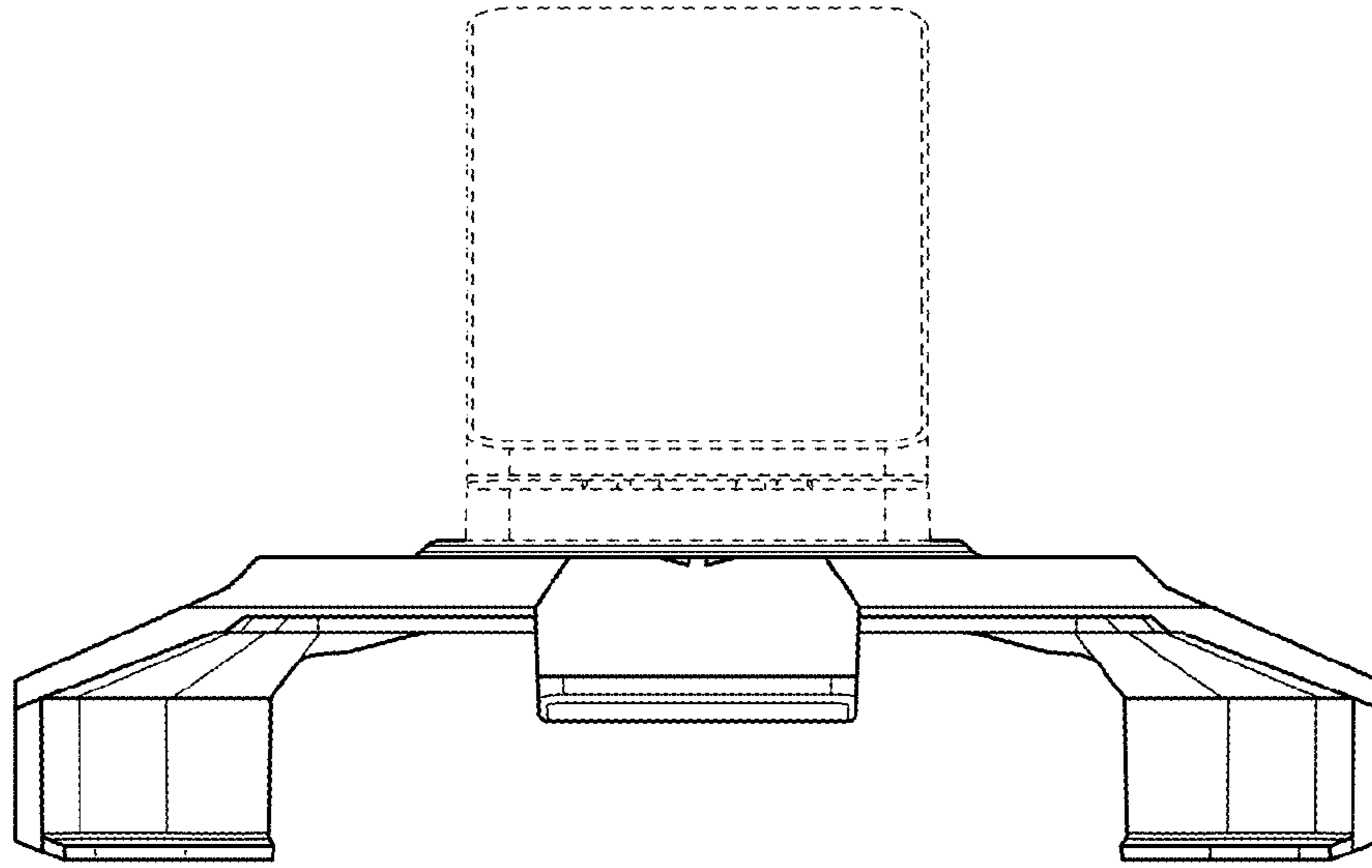


FIG. 30

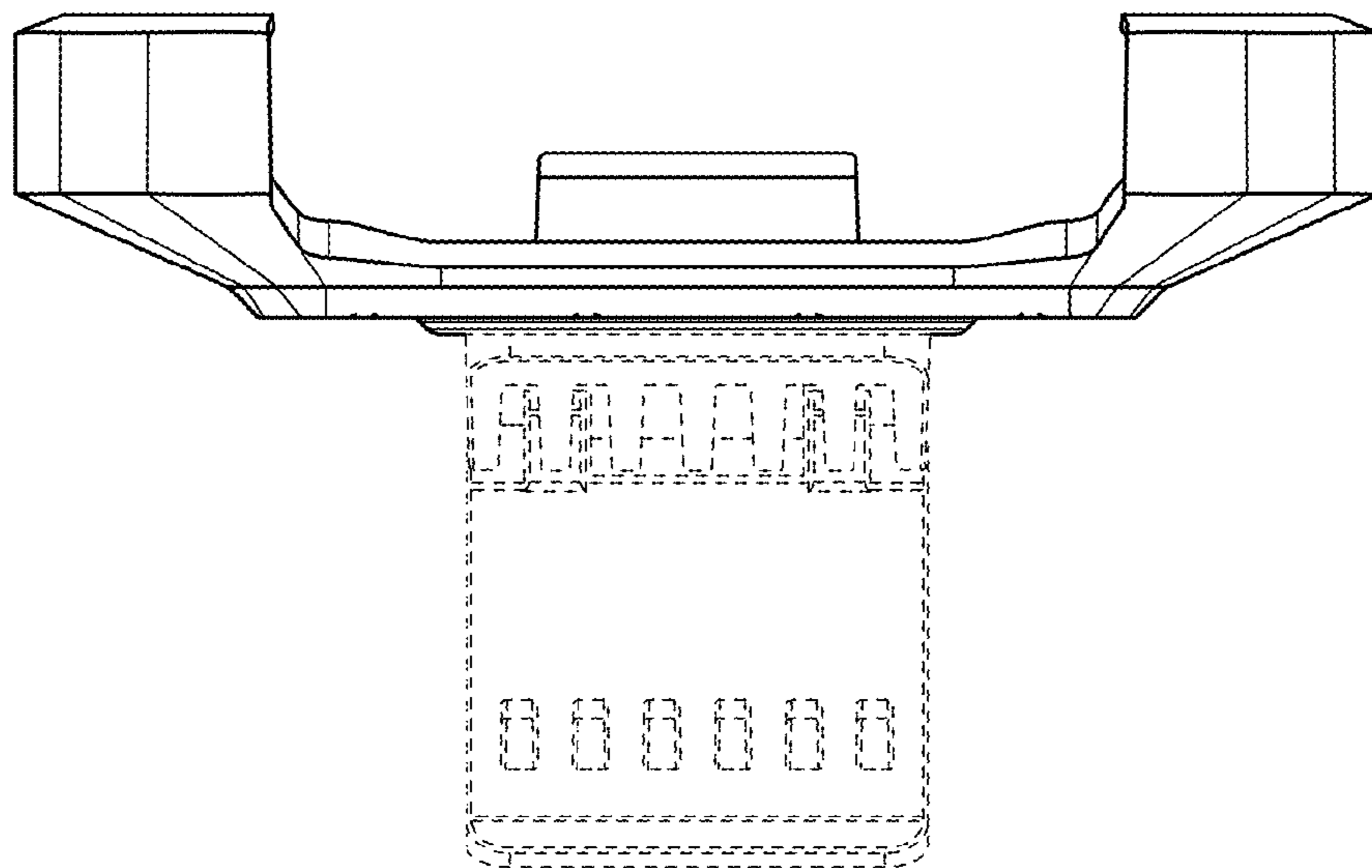


FIG. 31

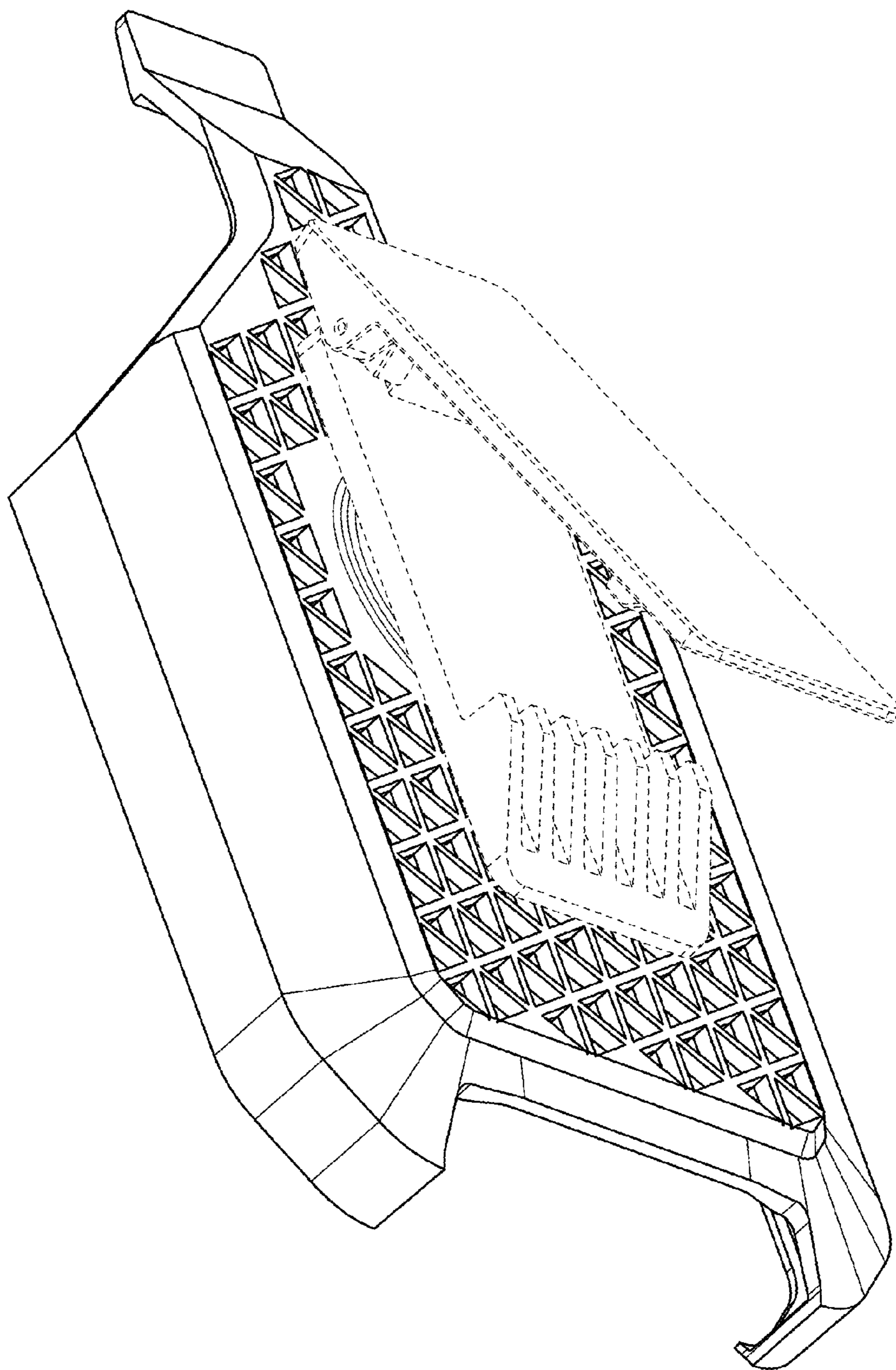


FIG. 32