



US00D683119S

(12) **United States Design Patent**
Shyllon

(10) **Patent No.:** **US D683,119 S**
(45) **Date of Patent:** **** May 28, 2013**

(54) **SHOE OUTSOLE**

(71) Applicant: **NIKE, Inc.**, Beaverton, OR (US)

(72) Inventor: **Tamimu A. Shyllon**, Portland, OR (US)

(73) Assignee: **NIKE, Inc.**, Beaverton, OR (US)

(**) Term: **14 Years**

(21) Appl. No.: **29/446,854**

(22) Filed: **Feb. 27, 2013**

(51) **LOC (9) Cl.** **02-04**

(52) **U.S. Cl.**
USPC **D2/960**

(58) **Field of Classification Search**
USPC D2/902, 906, 908, 916, 918, 925,
D2/946-962, 977; 36/3 B, 22 R, 24.5, 25 R,
36/28, 32 R, 34 R, 59 C, 67 A, 103
See application file for complete search history.

(56) **References Cited**

U.S. PATENT DOCUMENTS

334,668 A	1/1886	Knipe	
D76,791 S *	11/1928	Funk	D2/957
1,833,606 A *	11/1931	Gillis	36/17 R
2,466,580 A *	4/1949	Dalbey	36/31
D268,065 S *	3/1983	Spreng	D2/908
4,658,514 A *	4/1987	Shin	36/30 R
4,676,010 A *	6/1987	Cheskin	36/32 R
D292,946 S *	12/1987	Stubblefield et al.	D2/957
D305,382 S *	1/1990	Kiyosawa	D2/954
D307,212 S *	4/1990	Aveni	D2/953
D311,810 S	11/1990	Hatfield	
D317,974 S *	7/1991	Austin	D2/957
D340,797 S	11/1993	Pallera et al.	
5,280,680 A *	1/1994	Burke et al.	36/28
D349,803 S	8/1994	Godinez	
D353,479 S	12/1994	Godinez	
D369,736 S *	5/1996	Kuran	D8/305

D373,458 S *	9/1996	Tanaka et al.	D2/957
5,678,327 A *	10/1997	Halberstadt	36/27
D388,597 S	1/1998	Gavigan	
D392,091 S *	3/1998	Takaoka et al.	D2/954
D441,947 S *	5/2001	Escobar et al.	D2/960
D449,156 S	10/2001	McClaskie	
D461,948 S	8/2002	Merceron	
D471,348 S *	3/2003	Adams	D2/960
D492,473 S	7/2004	White	
D492,840 S	7/2004	Hearn	
D513,112 S *	12/2005	Le	D2/957
7,178,266 B2 *	2/2007	Deem et al.	36/3 B
D552,831 S *	10/2007	Cunningham	D2/897
7,334,349 B2 *	2/2008	Sokolowski et al.	36/25 R
D568,594 S	5/2008	Ringholz	
D576,380 S *	9/2008	Morris	D2/902

(Continued)

OTHER PUBLICATIONS

Nike Footwear Catalog, 1988 Fall Footwear, p. 4, published Dec. 1987, Nike, Inc., USA.

(Continued)

Primary Examiner — T. Chase Nelson

(74) *Attorney, Agent, or Firm* — Banner & Witcoff, Ltd.

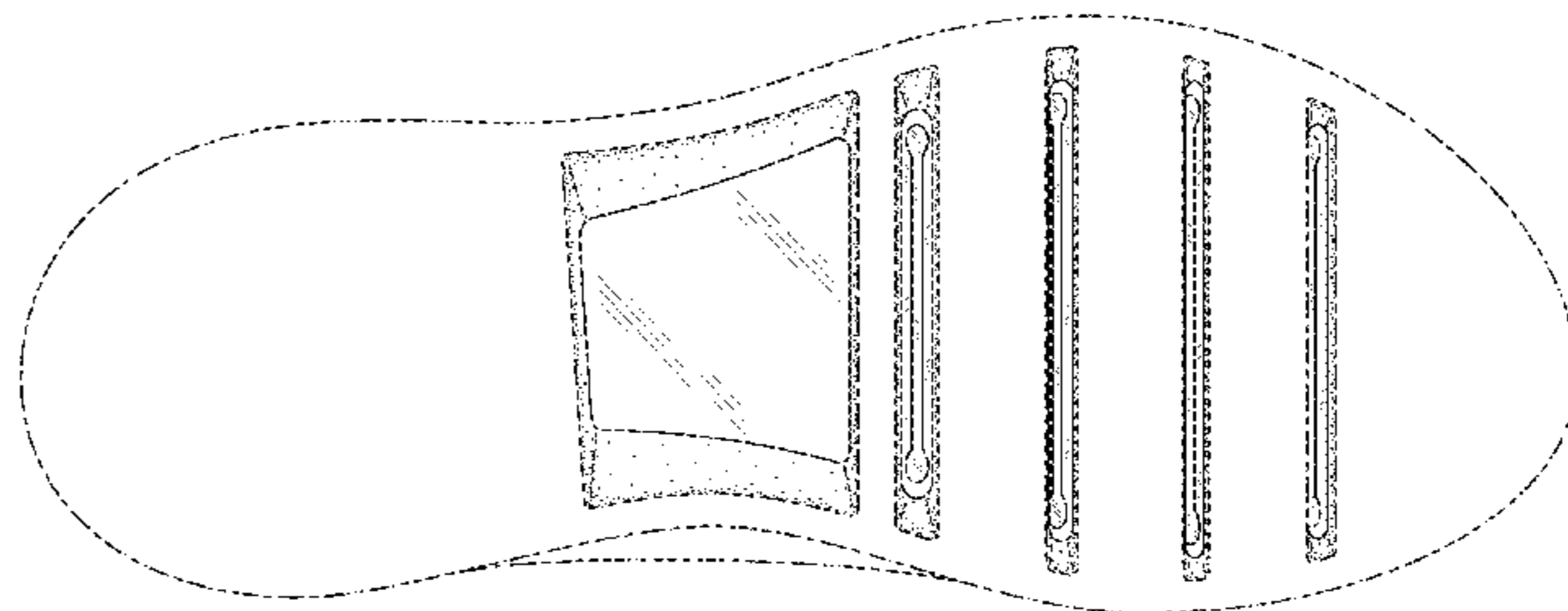
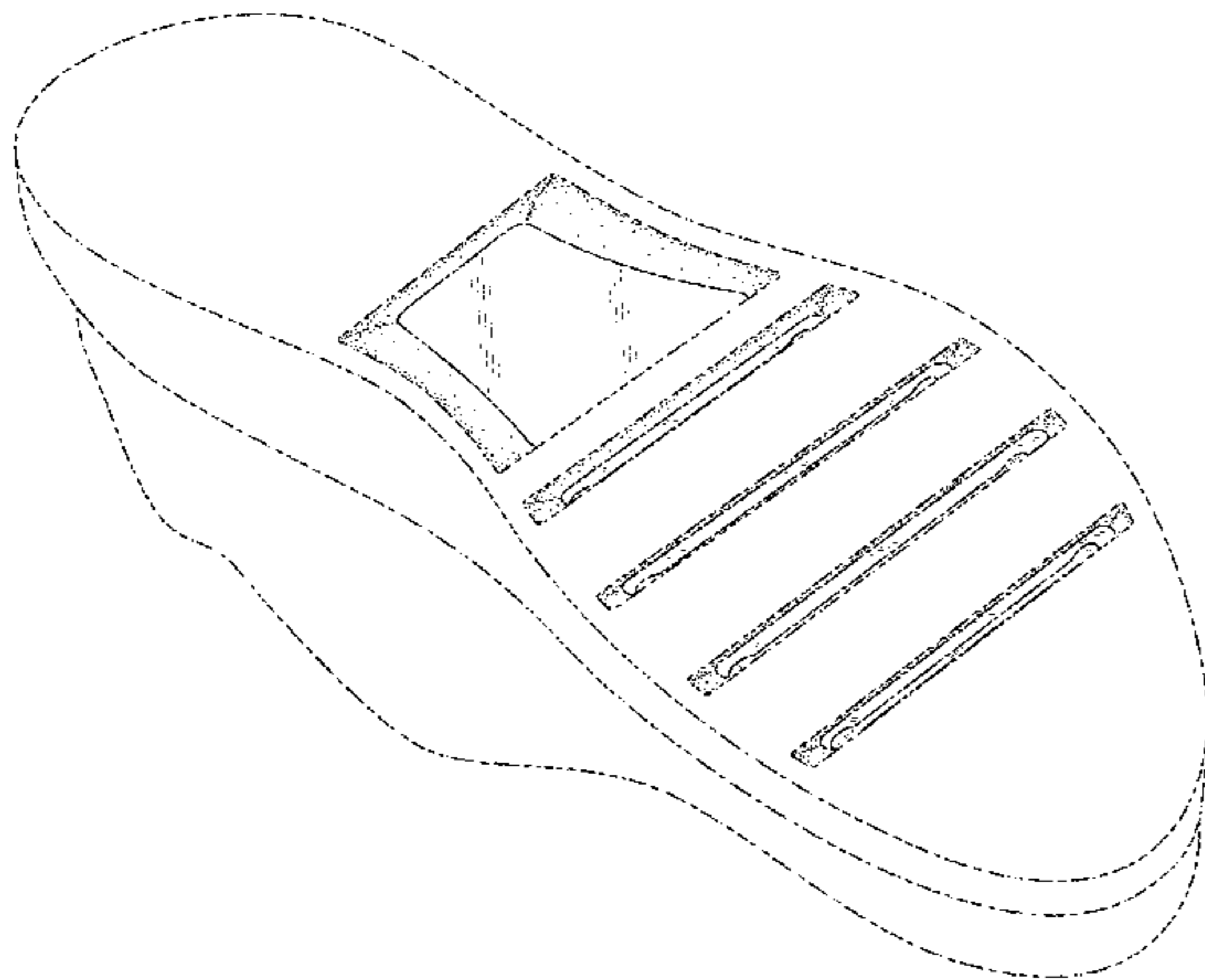
(57) **CLAIM**

The ornamental design for a shoe outsole, as shown and described.

DESCRIPTION

FIG. 1 is a front perspective view of a shoe outsole showing my new design;
FIG. 2 is a plan view thereof; and,
FIG. 3 is a rear perspective view thereof.
The broken lines immediately adjacent to the shaded area represent unclaimed boundaries of the design. The broken lines showing the remainder of the shoe are for environmental purposes only and form no part of the claimed design.

1 Claim, 3 Drawing Sheets



US D683,119 S

Page 2

U.S. PATENT DOCUMENTS

D577,880 S 10/2008 White
D579,641 S * 11/2008 Erickson et al. D2/954
7,464,490 B2 * 12/2008 Lebo 36/30 R
D584,887 S 1/2009 Earle
D586,986 S * 2/2009 Loveder D2/947
7,597,946 B2 * 10/2009 Watkins et al. 428/35.7
D609,439 S * 2/2010 Walton D2/951
D632,881 S * 2/2011 Rosenberg D2/961
D640,047 S * 6/2011 Claassen D2/961
D640,863 S 7/2011 Raysse
D643,194 S 8/2011 Raysse
D643,197 S 8/2011 Teteriatnikov
D643,601 S 8/2011 Raysse
D643,602 S 8/2011 Teteriatnikov
D644,421 S * 9/2011 Raysse D2/951
D648,516 S 11/2011 Yi

D659,967 S 5/2012 Miner
D663,511 S * 7/2012 Martinez et al. D2/917
2003/0150131 A1 * 8/2003 McManus et al. 36/28

OTHER PUBLICATIONS

Nike Footwear Catalog, 1994 Fall Footwear, p. 114, published Nov. 1993, Nike, Inc., USA.
Nike Footwear Catalog, 1997 Fall Footwear, p. 28, published Dec. 1996, Nike, Inc., USA.
Nike Footwear Catalog, 1998 Late Spring Footwear, p. 38, published Sep. 1997, Nike, Inc., USA.
Nike Footwear Catalog, 2005 Fall Footwear, p. 7, published Nov. 2004, Nike, Inc., USA.

* cited by examiner

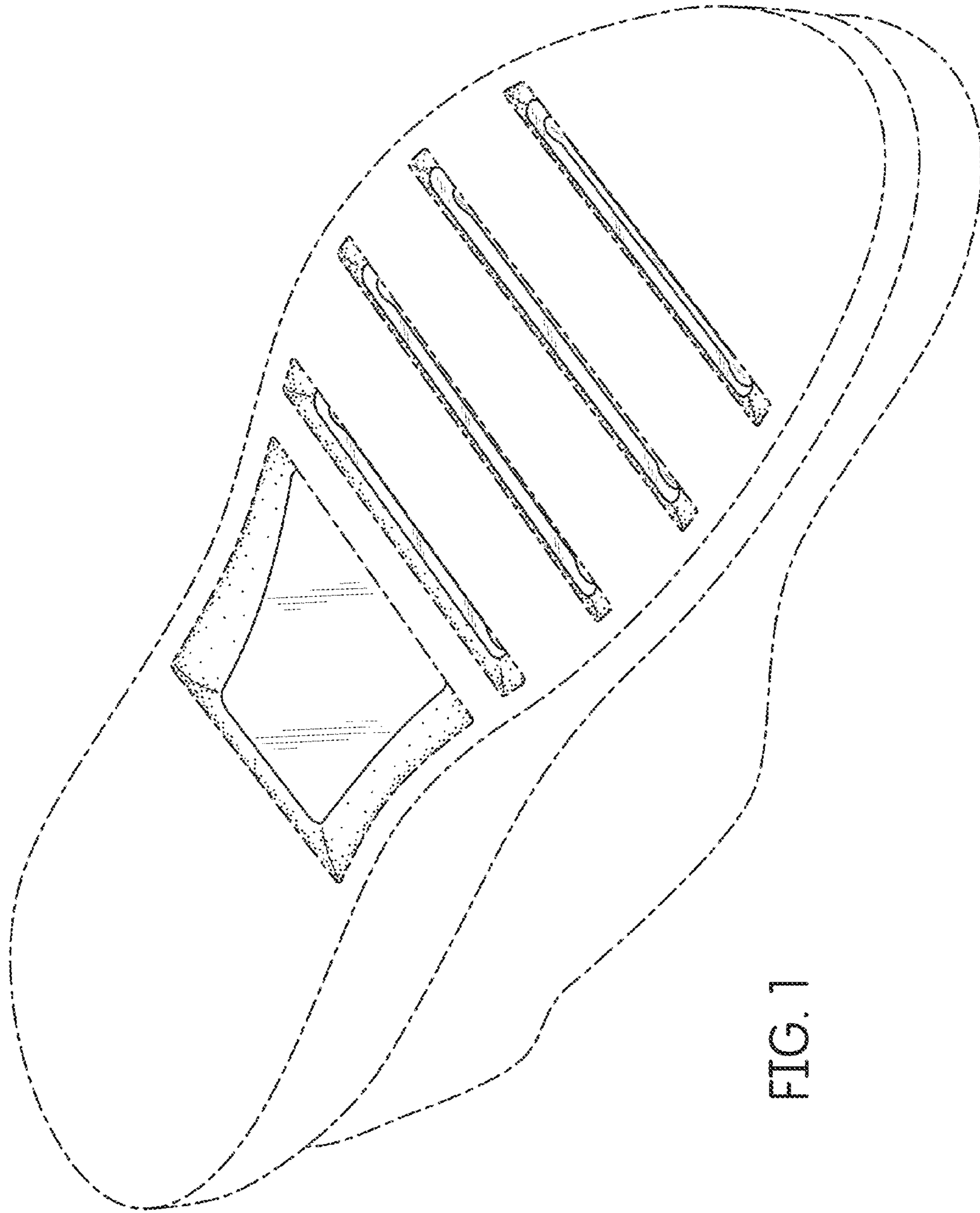


FIG. 1

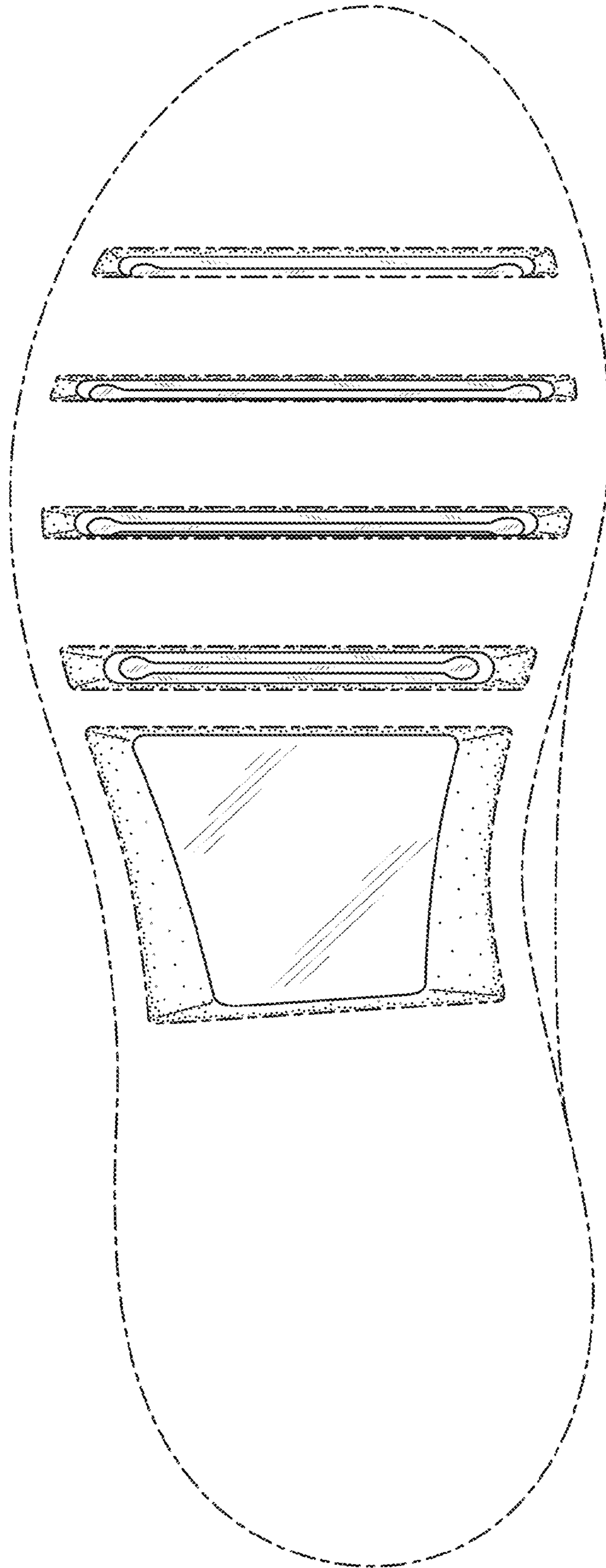


FIG. 2

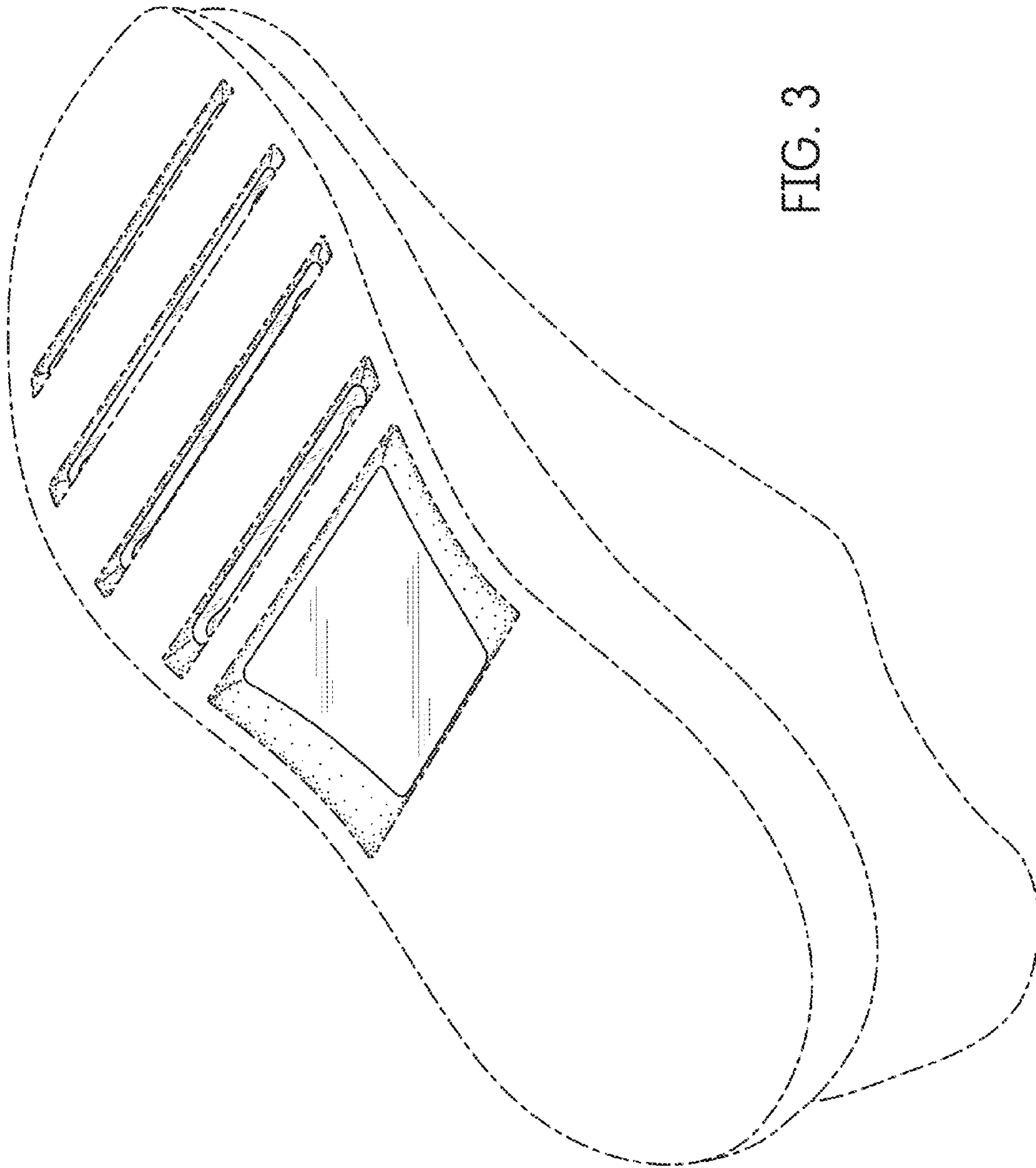


FIG. 3