



US00D683114S

(12) **United States Design Patent**  
**Vardell**

(10) **Patent No.:** **US D683,114 S**

(45) **Date of Patent:** **\*\* May 28, 2013**

(54) **SHOE COVER**

(71) Applicant: **William Alan Vardell**, Jonesboro, AR  
(US)

(72) Inventor: **William Alan Vardell**, Jonesboro, AR  
(US)

(73) Assignees: **William Alan Vardell**, Jonesboro, AR  
(US); **Keith Alan Harp**, Jonesboro, AR  
(US)

(\*\*) Term: **14 Years**

(21) Appl. No.: **29/441,187**

(22) Filed: **Jan. 2, 2013**

(51) **LOC (9) Cl.** ..... **02-04**

(52) **U.S. Cl.**  
USPC ..... **D2/909**

(58) **Field of Classification Search**  
USPC ..... D2/901, 902, 906, 909, 910, 913,  
D2/914, 915, 972; 36/31, 76 R, 14, 45, 91,  
36/77 R, 7.2, 131, 132, 72 R  
See application file for complete search history.

(56) **References Cited**

**U.S. PATENT DOCUMENTS**

D219,136 S \* 11/1970 Mace ..... D2/913  
D339,422 S \* 9/1993 Williams ..... D24/192  
D391,744 S \* 3/1998 McMaster ..... D2/913

D425,289 S \* 5/2000 Sheppard et al. .... D2/913  
D435,715 S \* 1/2001 Hunter et al. .... D2/913  
D437,105 S \* 2/2001 Mahjied ..... D2/913  
D489,518 S \* 5/2004 Maxfield ..... D2/919  
D500,189 S \* 12/2004 Mahjied ..... D2/913  
D597,734 S \* 8/2009 Beckett ..... D2/909

\* cited by examiner

*Primary Examiner* — Robert M Spear

*Assistant Examiner* — Rashida C McCoy

(74) *Attorney, Agent, or Firm* — Joe D. Calhoun; Rashauna  
A. Norment

(57) **CLAIM**

The ornamental design for a shoe cover, as shown and  
described.

**DESCRIPTION**

FIG. 1 depicts a perspective view of a shoe cover having a  
pouch in a closed position.

FIG. 2 depicts a top plan view thereof.

FIG. 3 depicts a bottom plan view thereof.

FIG. 4 depicts a left side elevation view thereof, with a right  
side elevation view being a mirror image of the left side  
elevation view thereof.

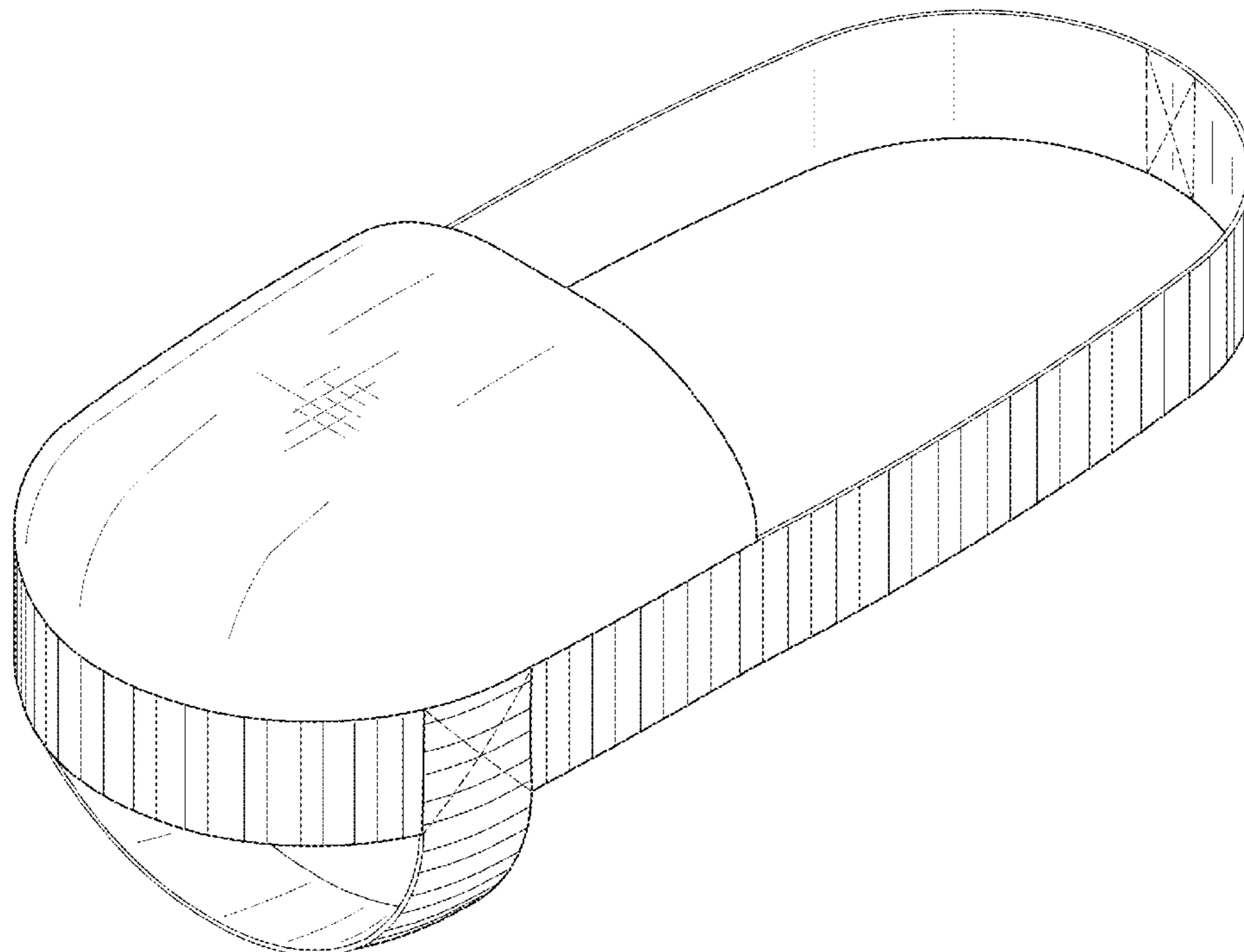
FIG. 5 depicts a front elevation view thereof.

FIG. 6 depicts a rear elevation view thereof, with the pouch in  
a closed position; and,

FIG. 7 depicts another perspective view thereof, with the  
pouch in an opened position.

The broken lines showing a boot is for illustrative purposes,  
and form no part of the claimed design.

**1 Claim, 5 Drawing Sheets**



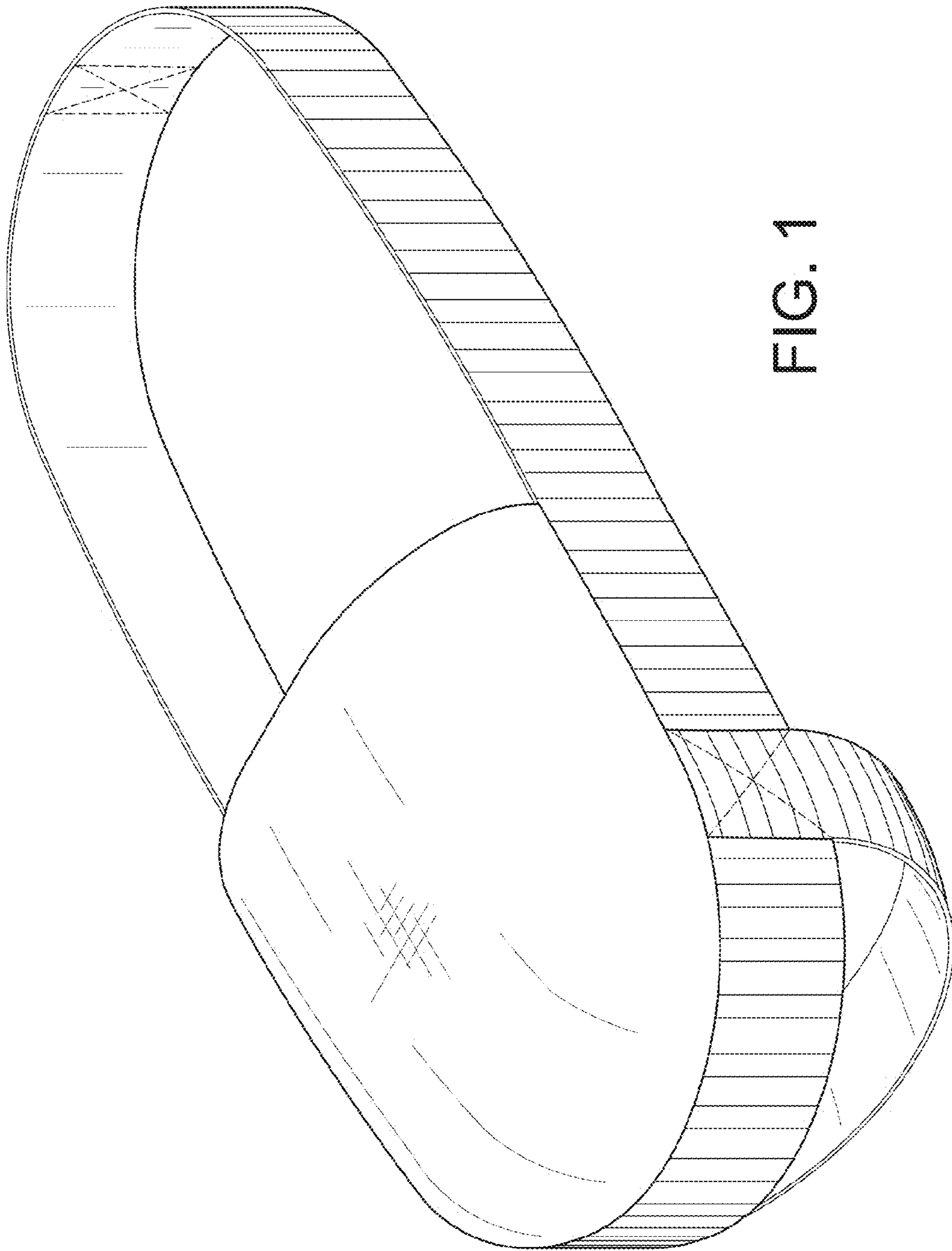


FIG. 1

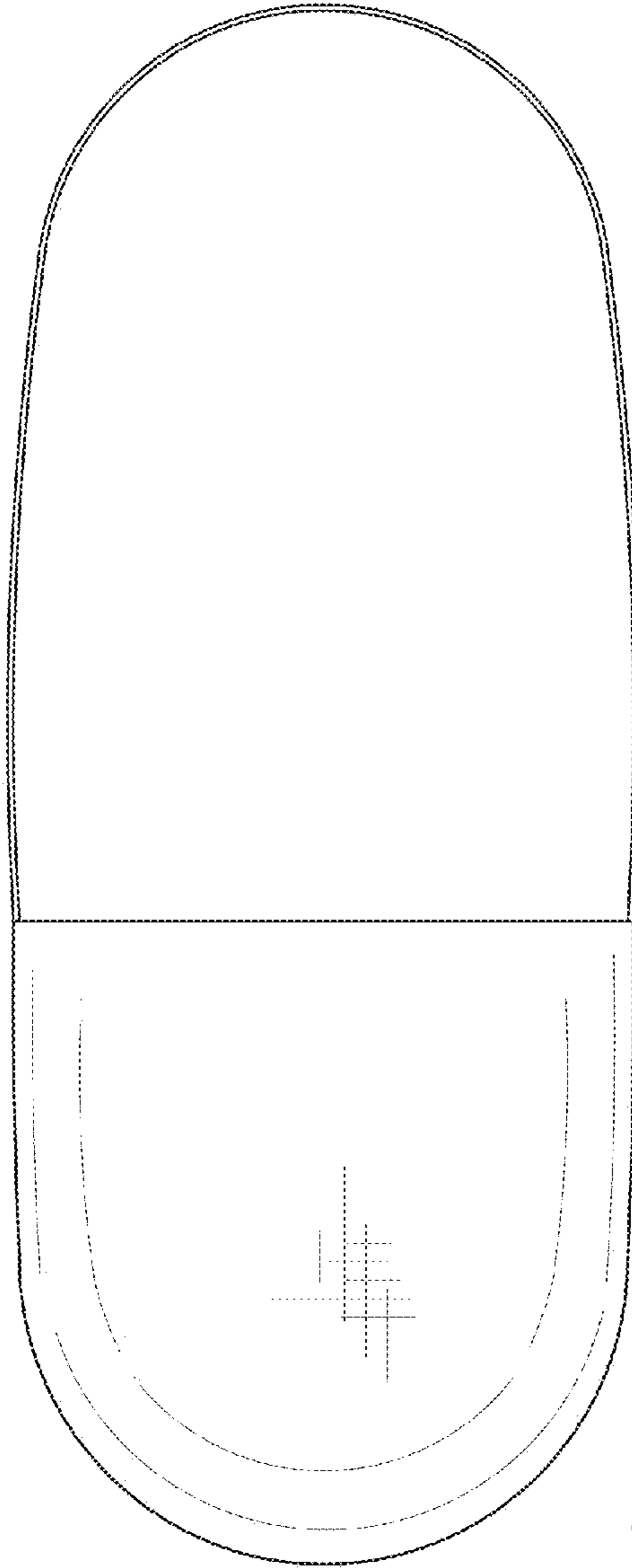


FIG. 2

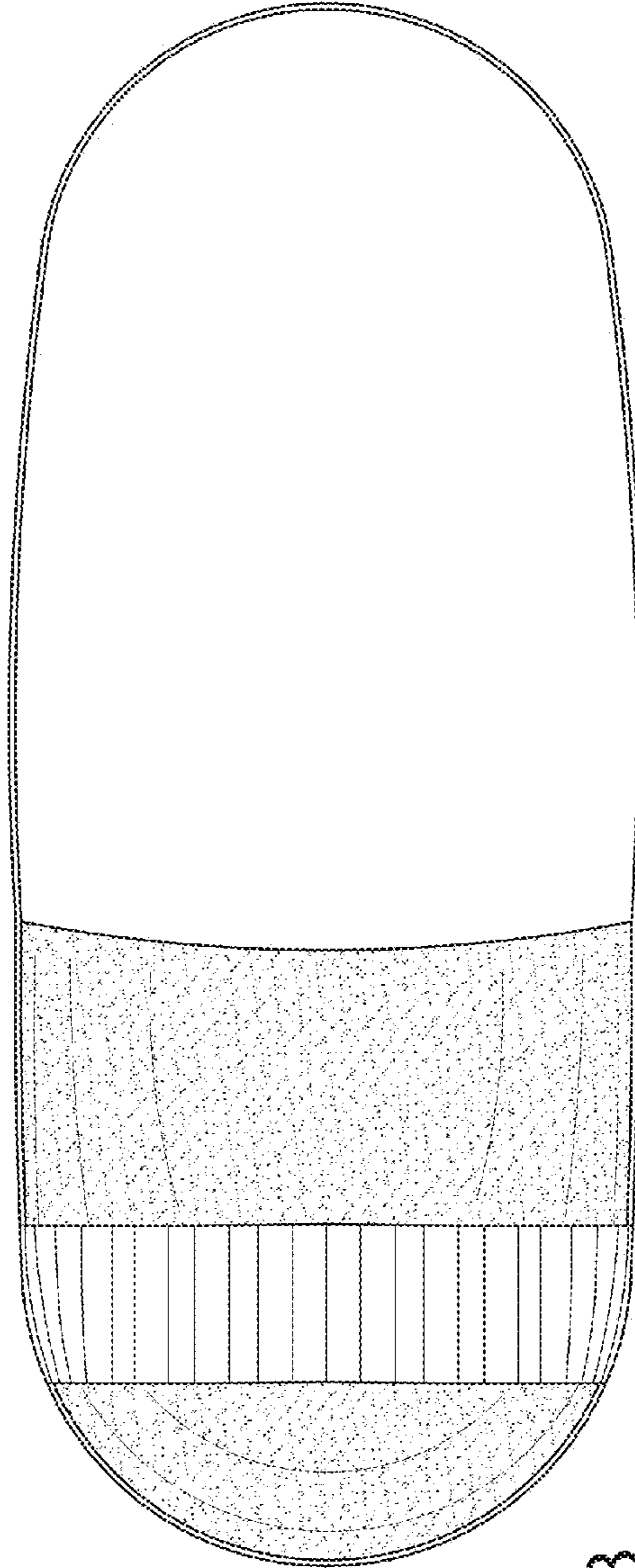


FIG. 3

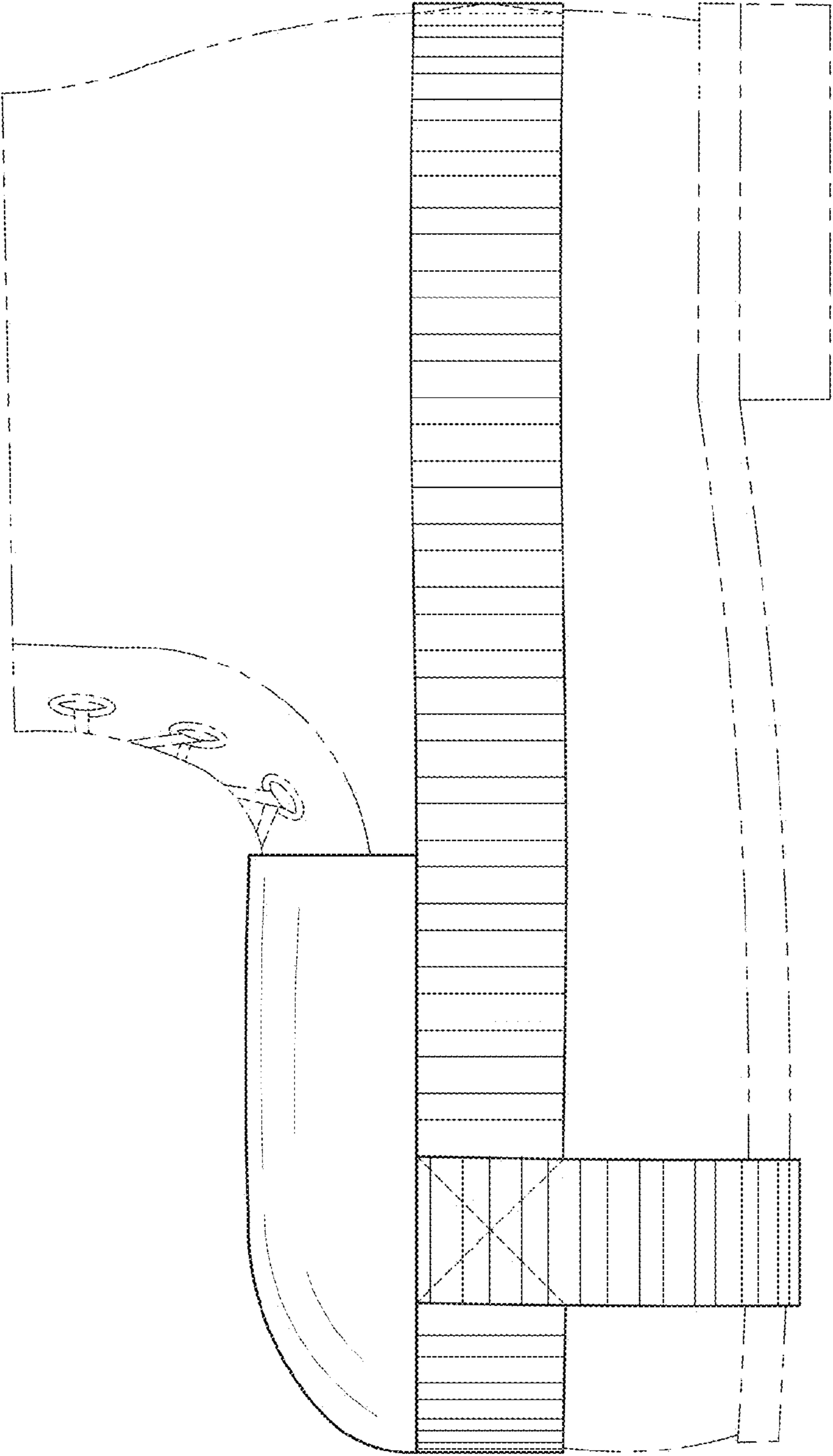


FIG. 4

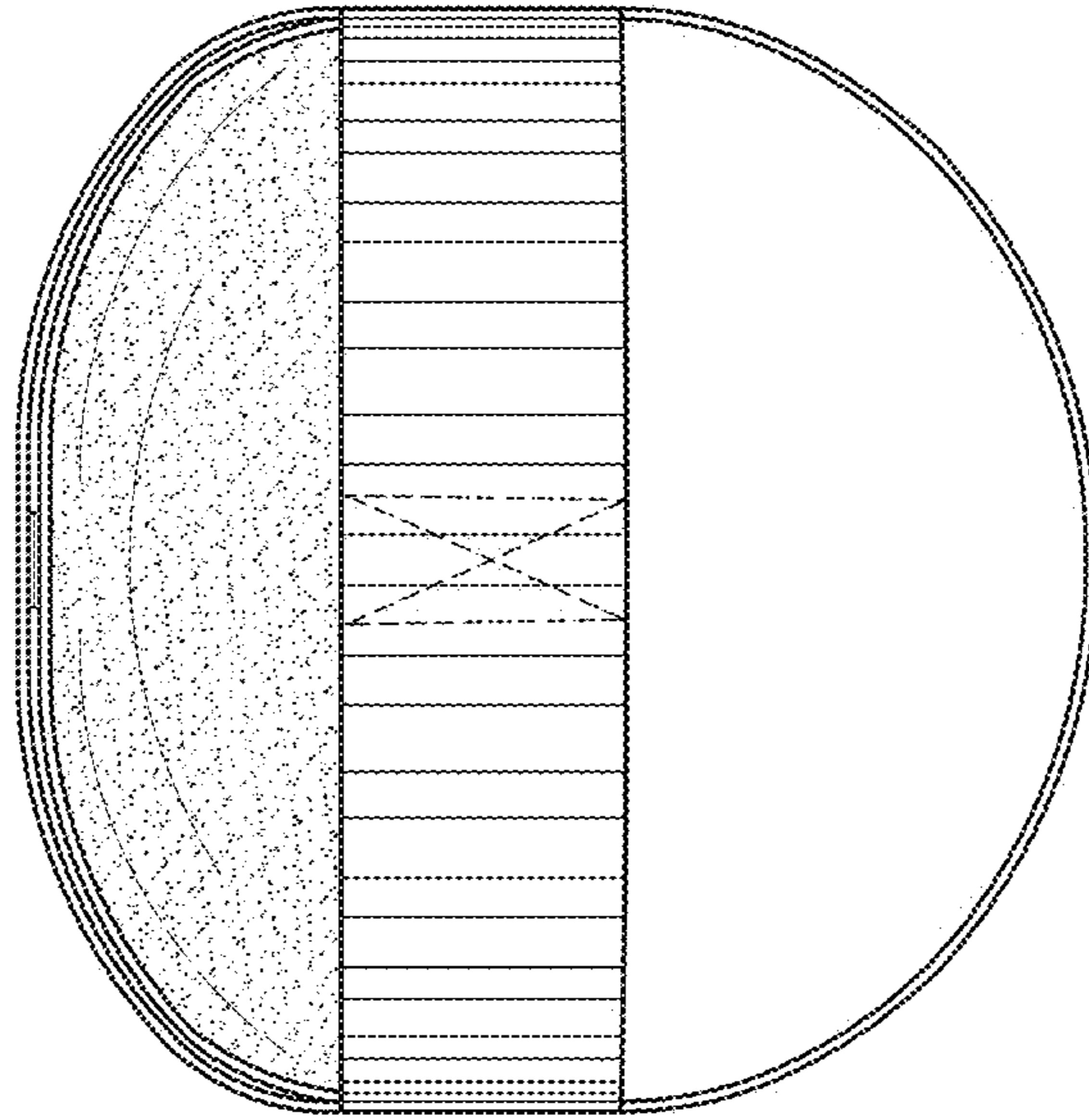


FIG. 6

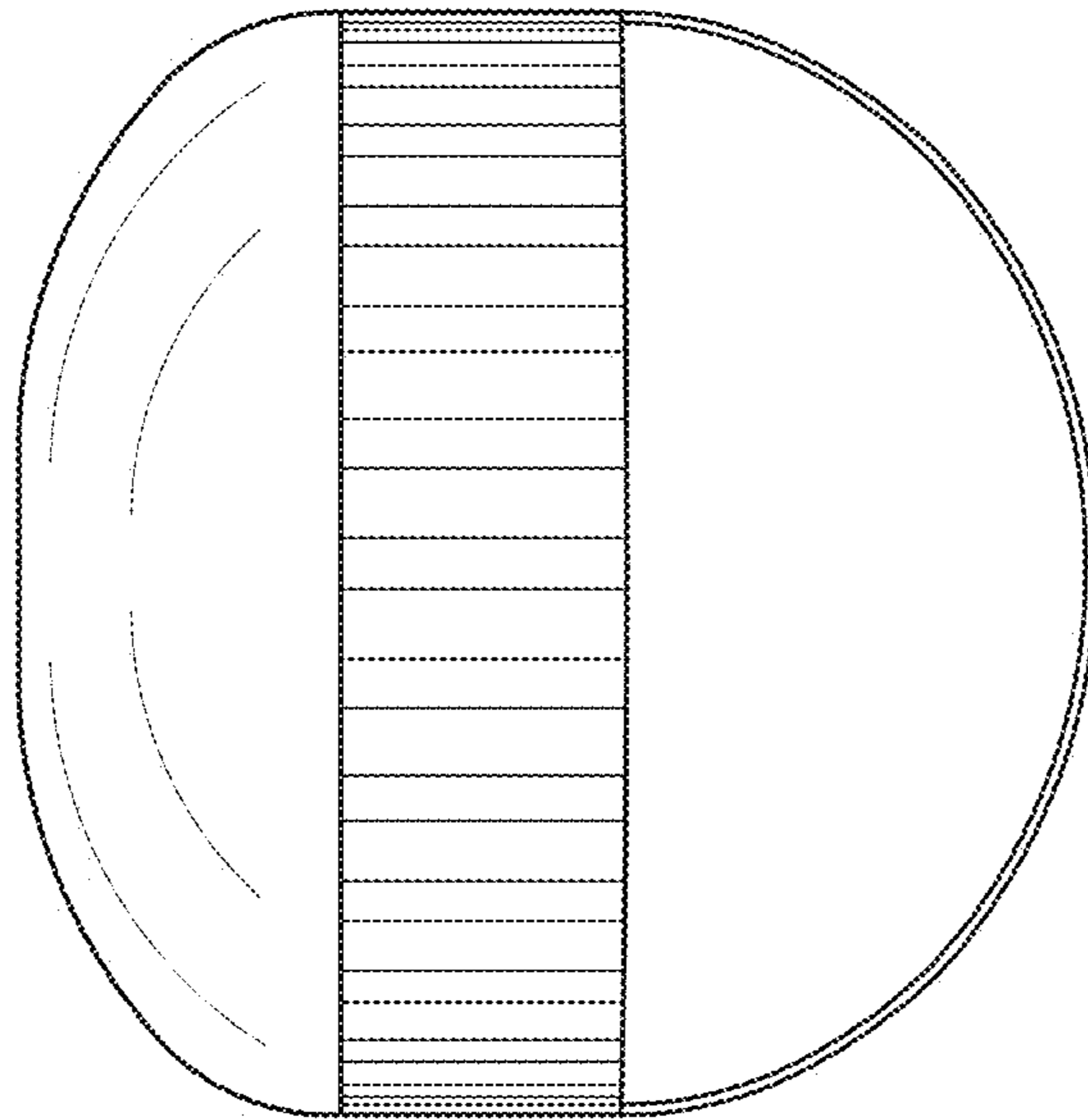


FIG. 5



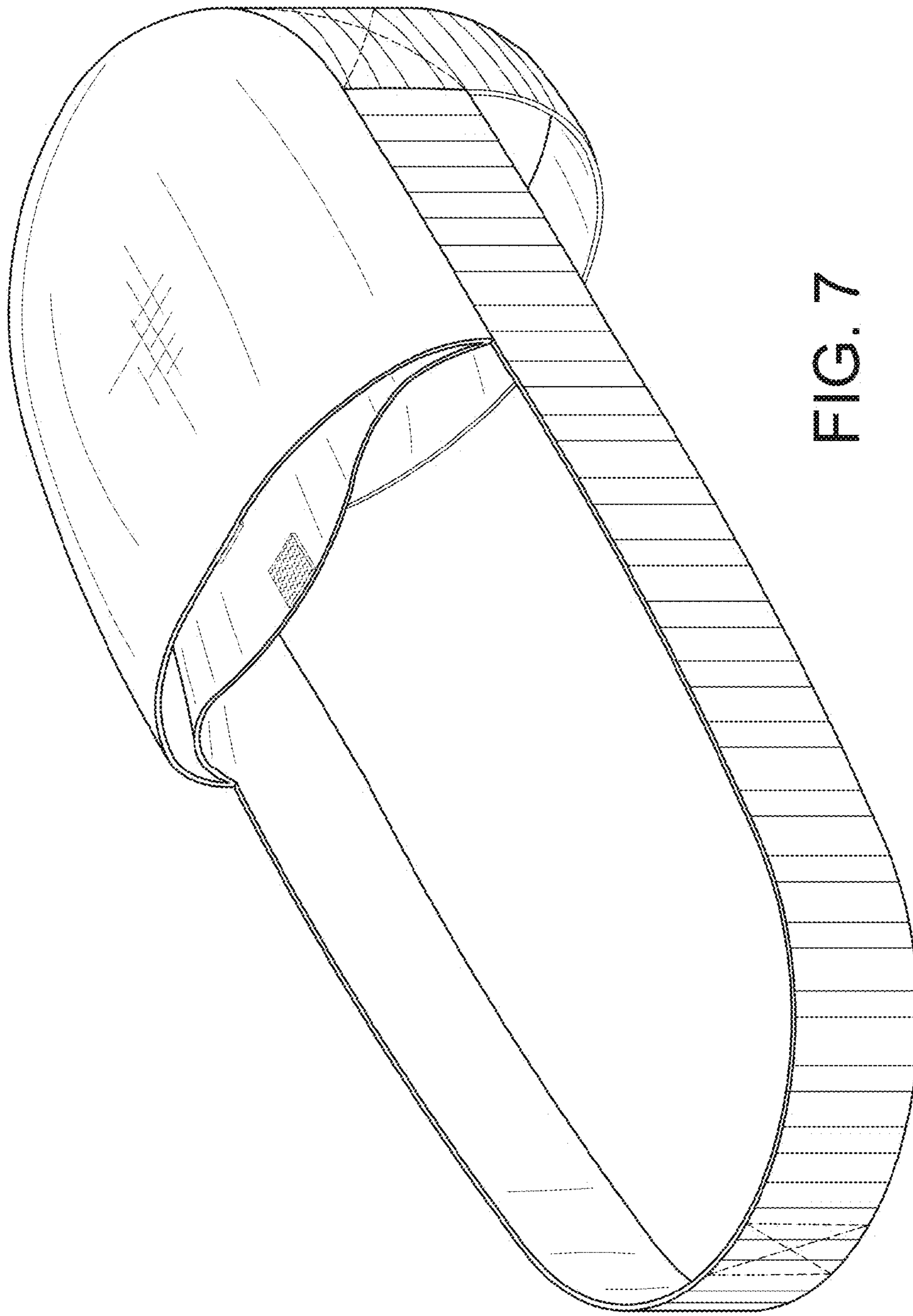


FIG. 7