



US00D683111S

(12) **United States Design Patent**
Rogers

(10) **Patent No.:** **US D683,111 S**

(45) **Date of Patent:** **** May 28, 2013**

(54) **HAT WITH OPENING TO ACCOMMODATE HAIRSTYLE**

6,240,566 B1 6/2001 Scantlin
D482,186 S 11/2003 Pytanowski
D496,145 S * 9/2004 Lacey D2/866

(Continued)

(71) Applicant: **Atessa G. Rogers**, Morgan Hill, CA
(US)

FOREIGN PATENT DOCUMENTS

(72) Inventor: **Atessa G. Rogers**, Morgan Hill, CA
(US)

WO 96/08175 3/1996
WO 11/63357 A2 5/2011

(**) Term: **14 Years**

Primary Examiner — Karen E Eldridge Powers
(74) *Attorney, Agent, or Firm* — Bryan Cave LLP

(21) Appl. No.: **29/432,812**

(57) **CLAIM**

I claim the ornamental design for a hat with an opening to accommodate a hairstyle, as shown and described.

(22) Filed: **Sep. 20, 2012**

DESCRIPTION

(51) **LOC (9) Cl.** **02-03**

(52) **U.S. Cl.**
USPC **D2/876**

(58) **Field of Classification Search**
USPC D2/865, 871, 872, 873, 875, 876,
D2/877, 878, 879, 882, 883, 884, 886, 891,
D2/892, 893; 2/171, 171.4, 171.5, 175.1,
2/175.3, 195.1, 195.2, 195.3, 195.4, 183,
2/209.12, 209.3, 209.4

See application file for complete search history.

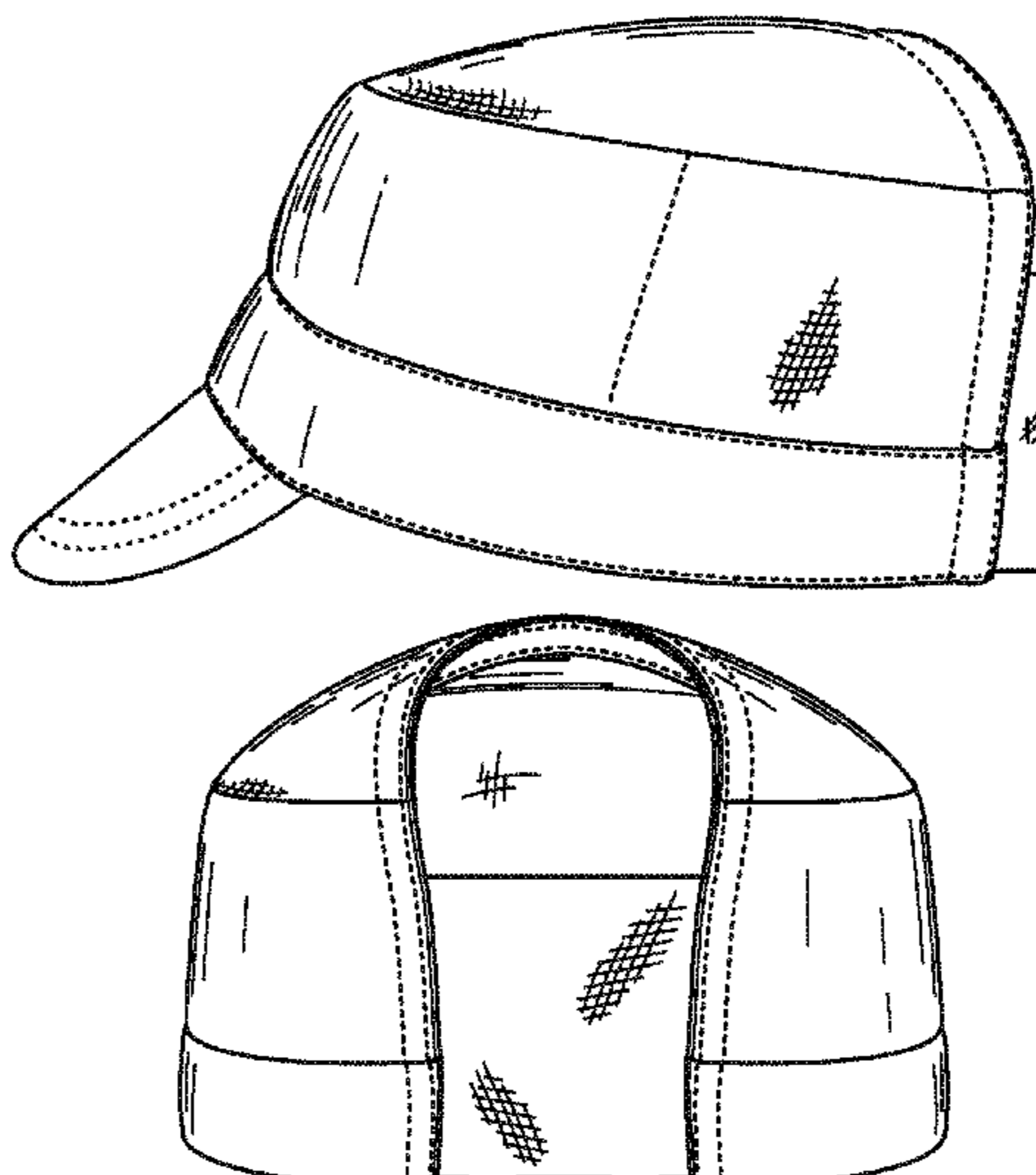
FIG. 1 is a rear perspective view of a hat with an opening to accommodate a hairstyle;
FIG. 2 is a right side elevation view of a hat with an opening to accommodate a hairstyle;
FIG. 3 is a left side elevation view of a hat with an opening to accommodate a hairstyle;
FIG. 4 is a front elevation view of a hat with an opening to accommodate a hairstyle;
FIG. 5 is a rear elevation view of a hat with an opening to accommodate a hairstyle;
FIG. 6 is a top plan view of a hat with an opening to accommodate a hairstyle;
FIG. 7 is a bottom plan view of a hat with an opening to accommodate a hairstyle;
FIG. 8 is a side elevation view of a hat with an opening to accommodate a hairstyle;
FIG. 9 is a rear perspective view of a hat with an opening to accommodate a hairstyle; and,
FIG. 10 is a further rear perspective view of a hat with an opening to accommodate a hairstyle.
The partial human figure shown in broken lines in the drawings illustrates the environment in which the design is used, and assists in showing how the claimed design appears when worn; it forms no part of the claimed design. The broken lines on the hat itself are unclaimed features.

(56) **References Cited**

U.S. PATENT DOCUMENTS

1,563,611 A * 12/1925 Cohen 2/12
D90,101 S * 6/1933 Campbell D2/882
4,486,903 A * 12/1984 Krystal 2/172
D282,118 S * 1/1986 Mengwasser D2/871
4,630,317 A 12/1986 Brown et al.
5,321,854 A 6/1994 Kronenberger
5,325,540 A 7/1994 Kronenberger
5,488,740 A * 2/1996 Garza 2/175.1
D399,339 S * 10/1998 Malevitis et al. D2/882
D399,639 S 10/1998 Bartz
D405,590 S 2/1999 Bartz
5,875,488 A 3/1999 Milani
5,875,494 A 3/1999 Garnier et al.
D424,282 S 5/2000 Crumpton et al.
6,170,086 B1 1/2001 Lee

1 Claim, 7 Drawing Sheets



US D683,111 S

Page 2

U.S. PATENT DOCUMENTS

D514,281 S	2/2006	Cho		D617,537 S	6/2010	Pearson	
7,010,815 B2	3/2006	Tufano-Sisca		D624,285 S	9/2010	Hall	
7,024,702 B2	4/2006	Kronenberger		D632,875 S	2/2011	Bischel	
7,036,156 B2	5/2006	Lahman et al.		D669,252 S *	10/2012	Rogers	D2/882
D528,744 S *	9/2006	Nelson	D2/882	2004/0199979 A1	10/2004	Ngan	
D539,012 S	3/2007	Evans		2005/0108810 A1	5/2005	Yan	
D546,031 S	7/2007	Pearson et al.		2006/0117460 A1	6/2006	Yan	
D564,183 S	3/2008	Roach et al.		2006/0191057 A1	8/2006	Lynn	
D570,580 S *	6/2008	Paul et al.	D2/882	2007/0061944 A1	3/2007	Briskie	
D577,879 S	10/2008	Jones		2007/0250987 A1	11/2007	Adkins	
D589,687 S	4/2009	Hoepfner		2008/0000013 A1 *	1/2008	Talley	2/171
D590,136 S	4/2009	Campos, Sr. et al.		2008/0092272 A1	4/2008	Vainio et al.	
D595,033 S	6/2009	Lynn		2008/0209615 A1	9/2008	Rafty	
D603,586 S	11/2009	Miller et al.		2011/0173739 A1	7/2011	Riesen et al.	
D613,040 S	4/2010	Pearson		2012/0278970 A1 *	11/2012	Bischel	2/183

* cited by examiner

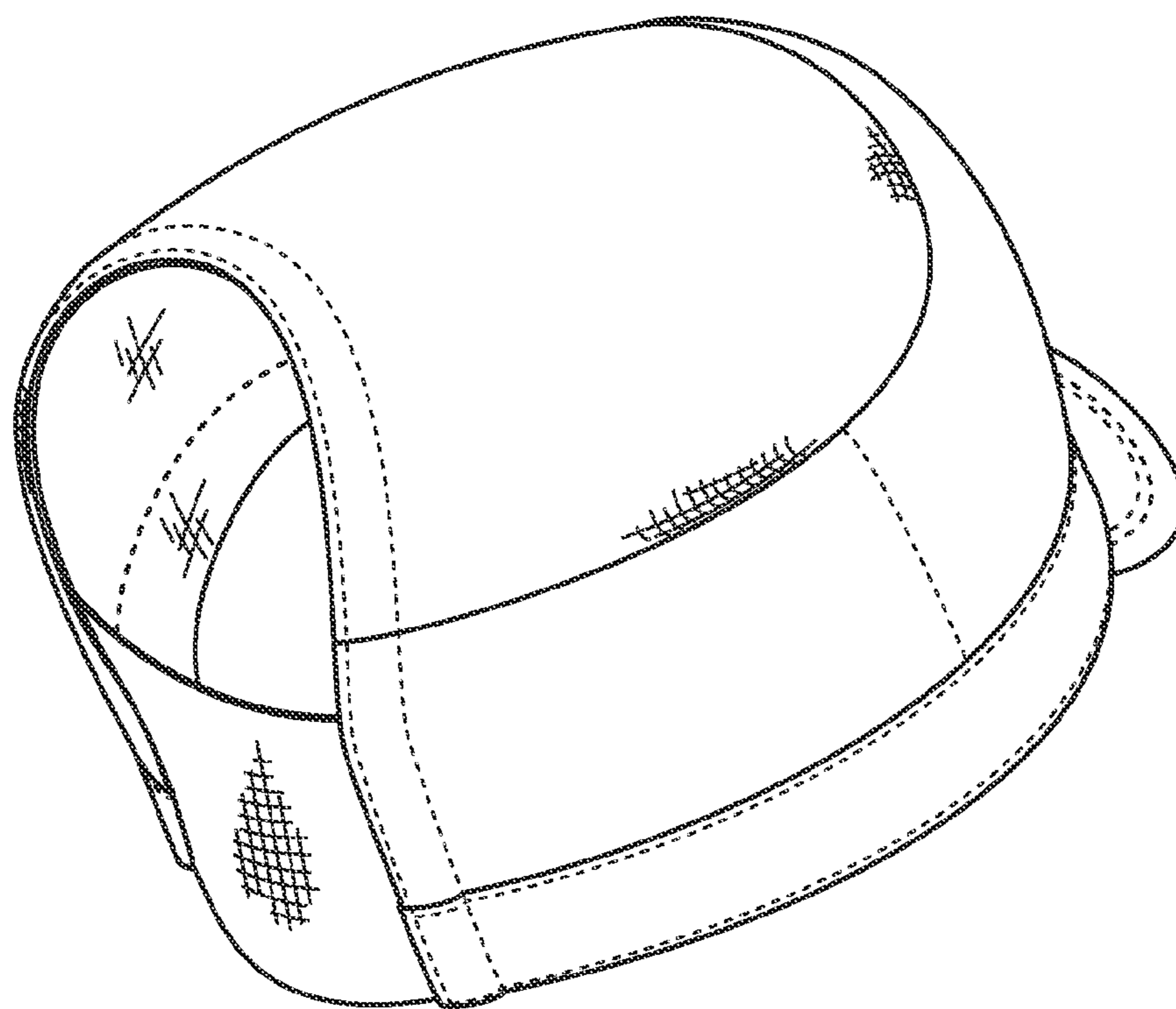


Fig. 1

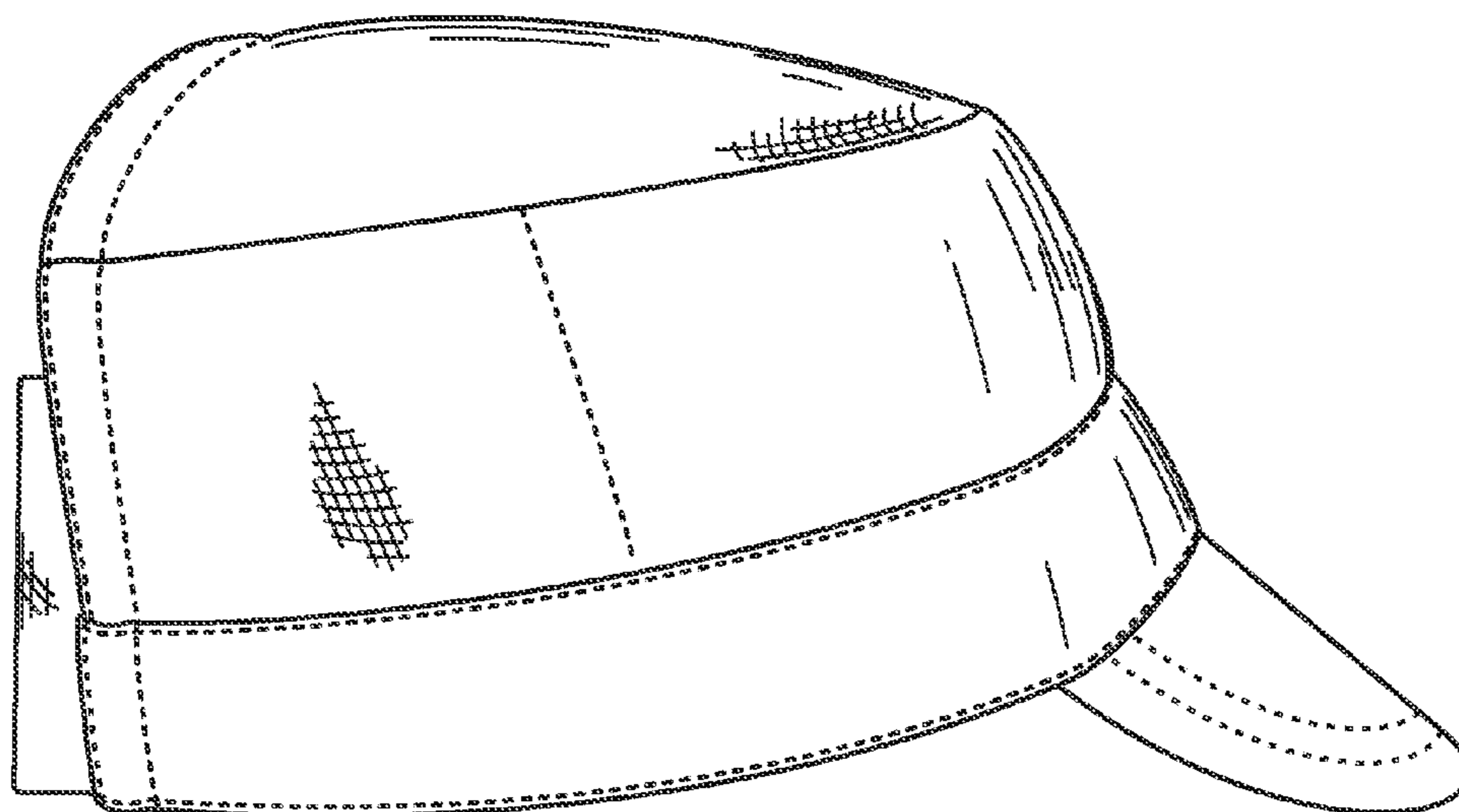


Fig. 2

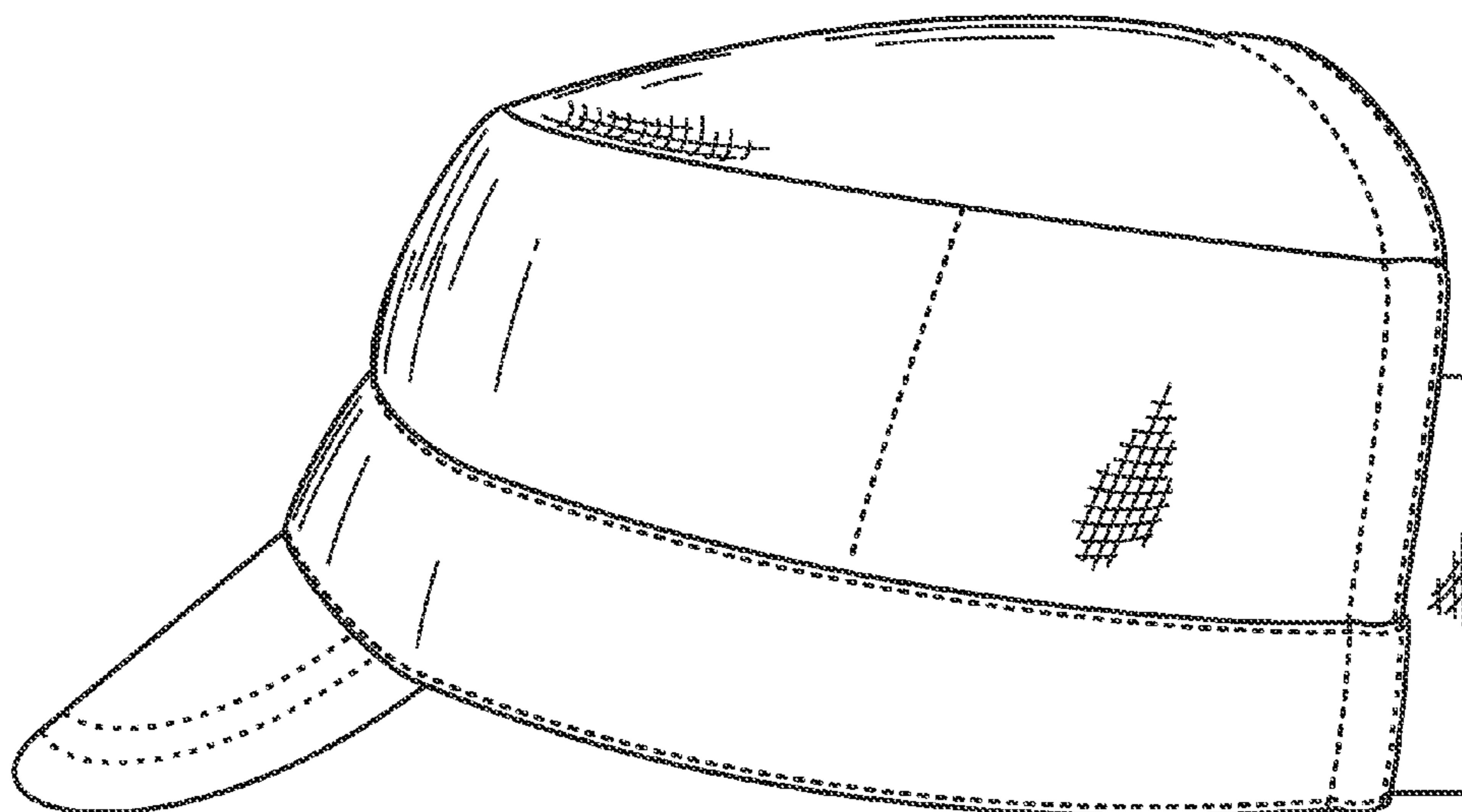


Fig. 3

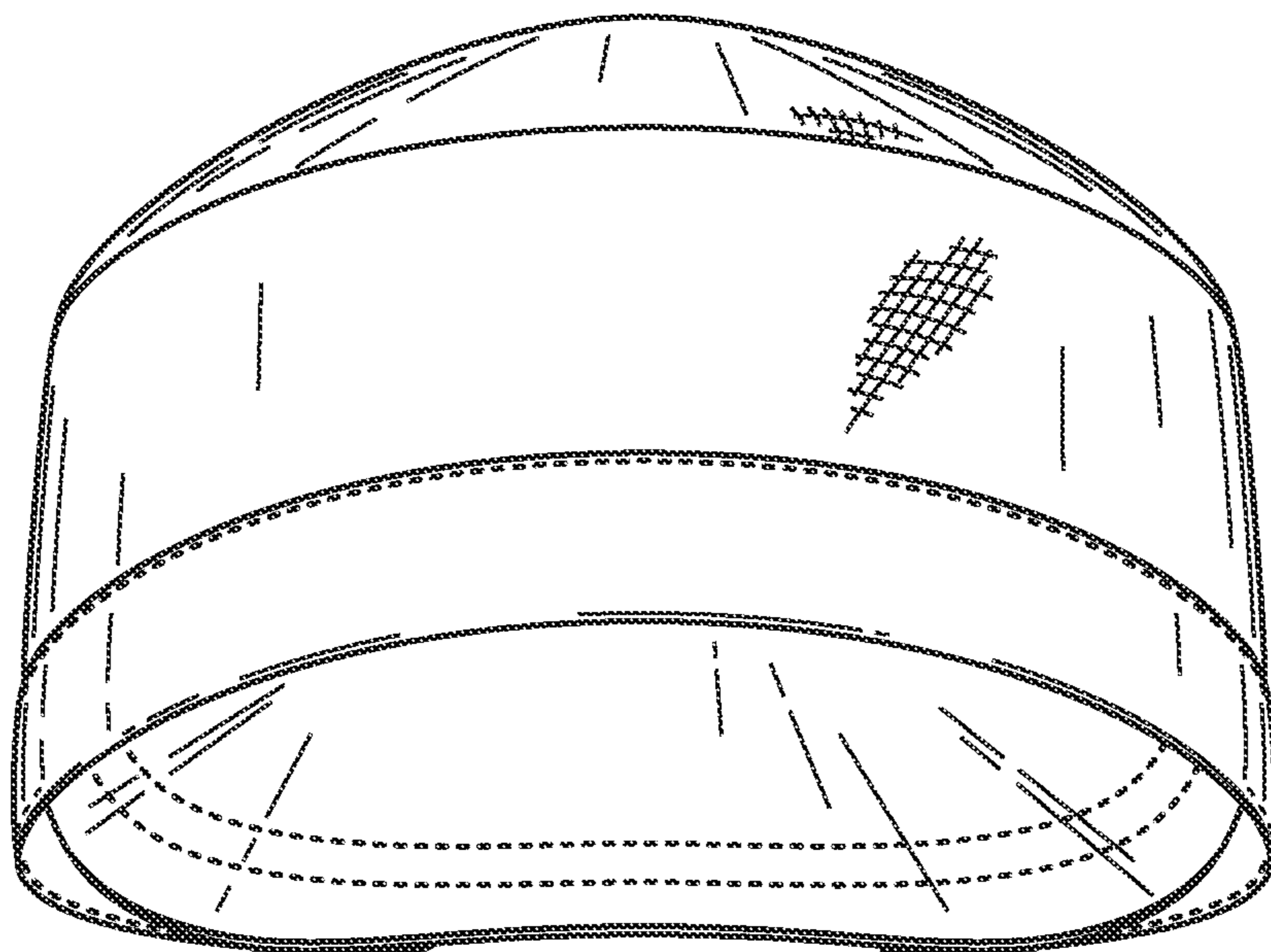


Fig. 4

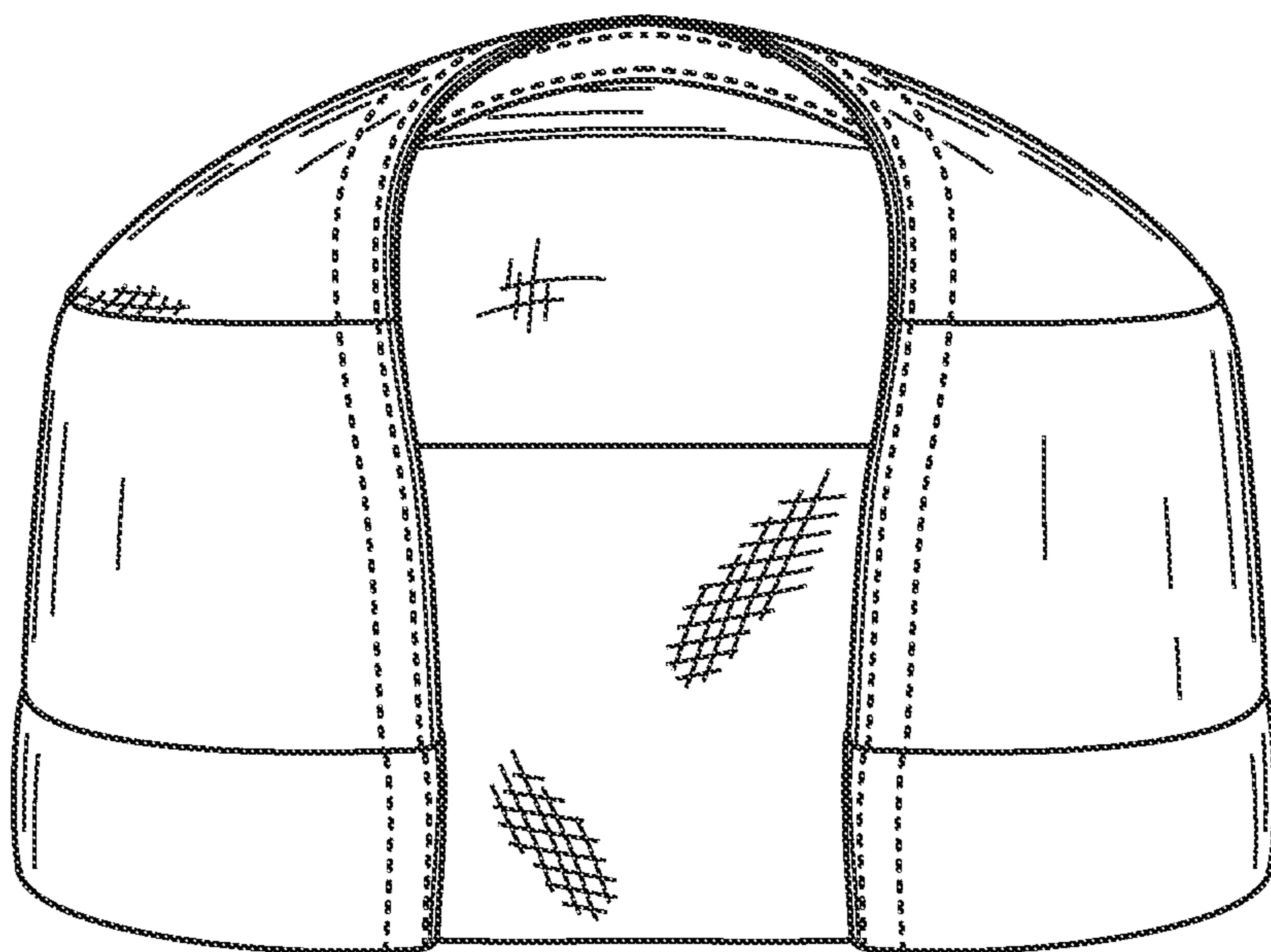


Fig. 5

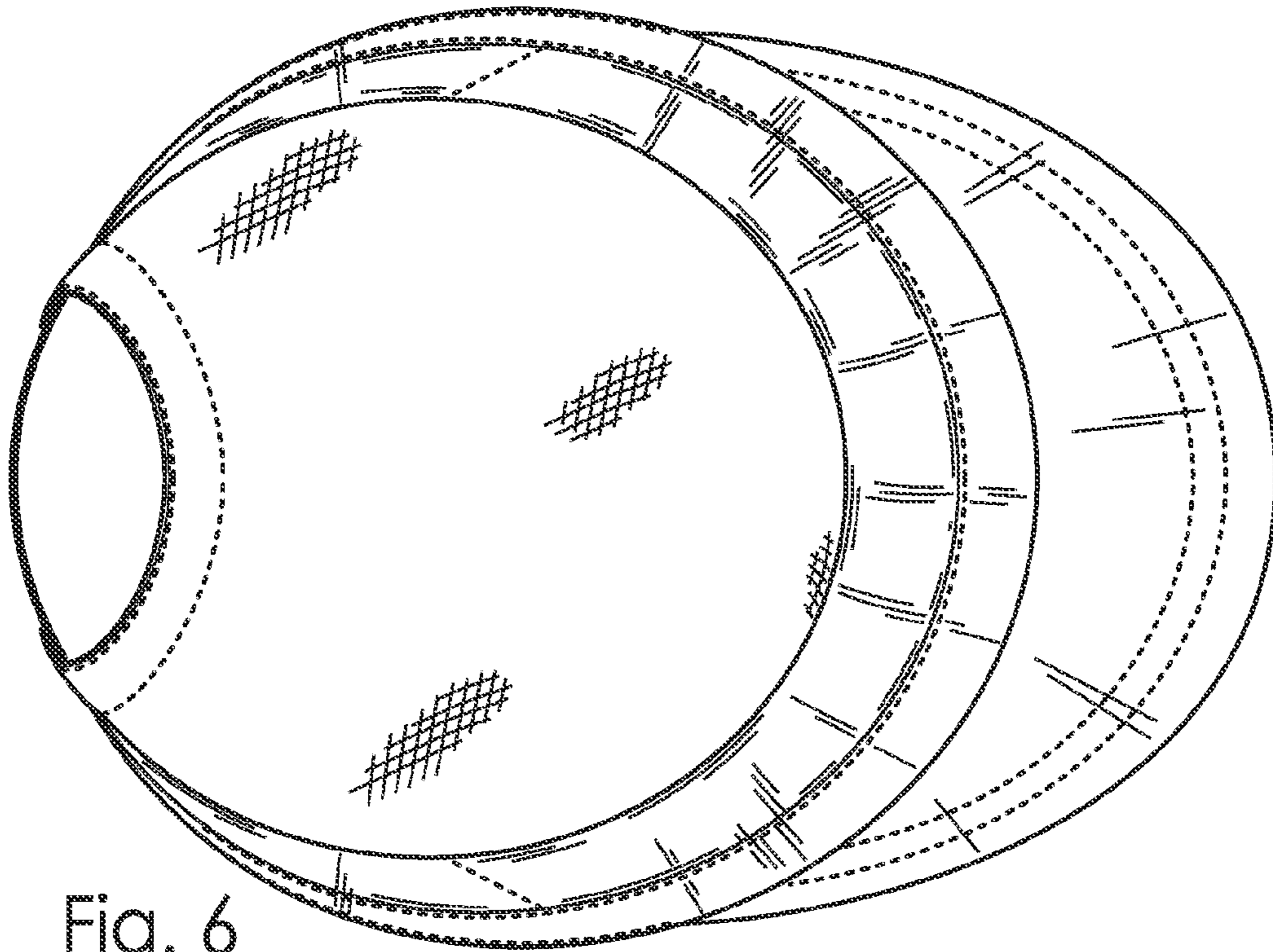


Fig. 6

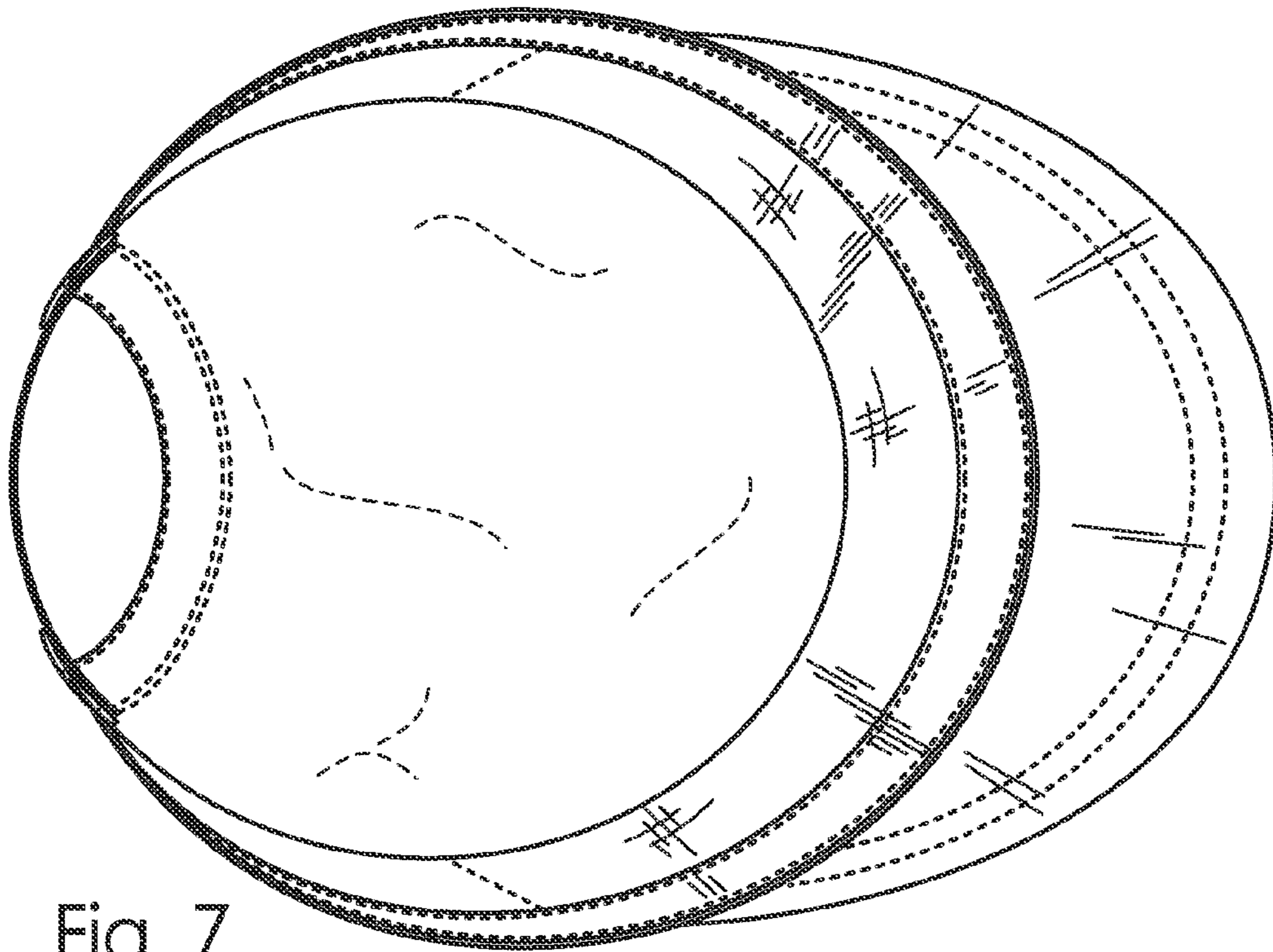


Fig. 7

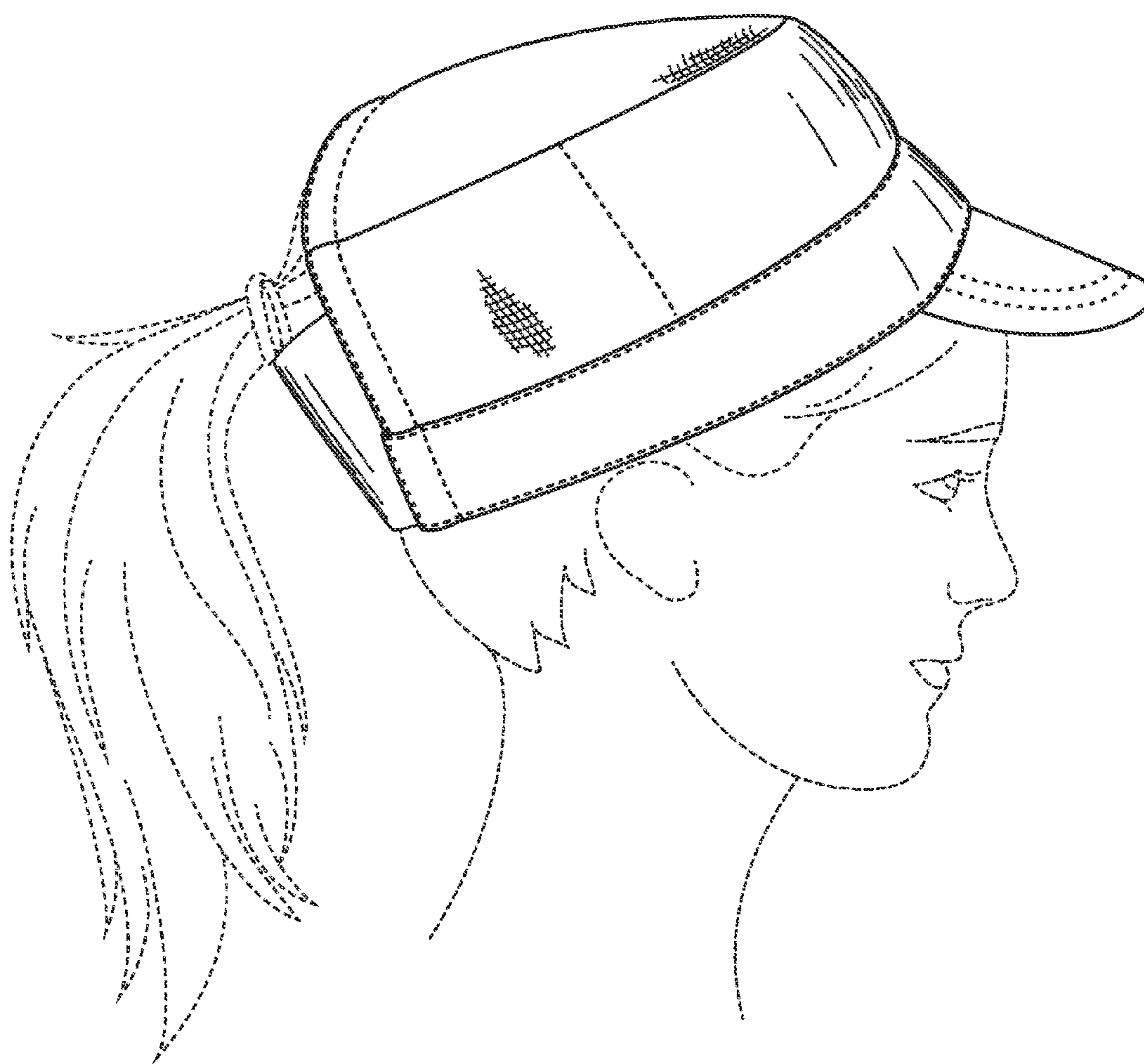


Fig. 8



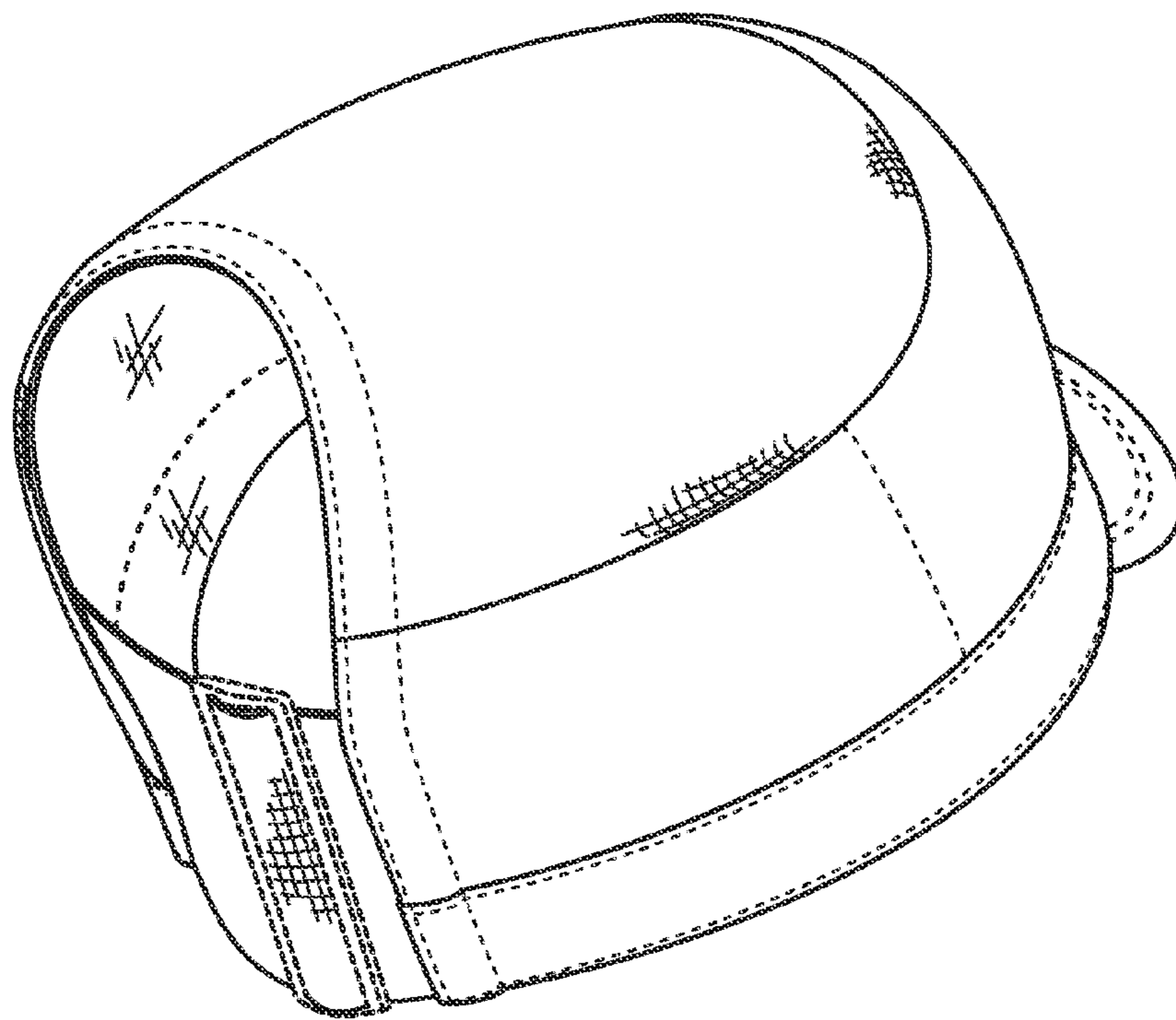


Fig. 10