



US00D683104S

(12) **United States Design Patent**
Flournoy et al.

(10) **Patent No.:** **US D683,104 S**

(45) **Date of Patent:** **** May 21, 2013**

(54) **FLOOR JACK EXTENSION**

(75) Inventors: **Matthew Flournoy**, South Bend, IN (US); **Andrew L. Tallman**, Manhattan Beach, CA (US)

(73) Assignee: **Norco Industries, Inc.**, Compton, CA (US)

(**) Term: **14 Years**

(21) Appl. No.: **29/430,827**

(22) Filed: **Aug. 30, 2012**

(51) **LOC (9) Cl.** **12-05**

(52) **U.S. Cl.**
USPC **D34/31**

(58) **Field of Classification Search** D34/31,
D34/35; 254/93 R, 1, 8 R, 2 R, 11, 12, 13;
D12/197; D13/183

See application file for complete search history.

(56) **References Cited**

U.S. PATENT DOCUMENTS

D425,281 S *	5/2000	Ridge	D34/31
D443,747 S *	6/2001	Ridge	D34/31
D509,039 S *	8/2005	Peschmann et al.	D34/31
D548,422 S *	8/2007	Lee et al.	D34/35
D639,012 S *	5/2011	Ahrenholtz	D34/31
D641,534 S *	7/2011	Lee et al.	D34/31

* cited by examiner

Primary Examiner — Cynthia Ramirez

(74) *Attorney, Agent, or Firm* — Hahn, Loeser & Parks, LLP

(57) **CLAIM**

The ornamental design for an floor jack extension, as shown and described.

DESCRIPTION

FIG. 1 is a front perspective view of an floor jack extension; FIG. 2 is an front, top perspective view of the floor jack extension of FIG. 1;

FIG. 3 is an front, bottom perspective view of the floor jack extension of FIG. 1;

FIG. 4 is a front view of the floor jack extension of FIG. 1;

FIG. 5 is a top plan view of floor jack extension of FIG. 1;

FIG. 6 is a rear view of the floor jack extension of FIG. 1;

FIG. 7 is an front, top perspective view of a second embodiment of an floor jack extension;

FIG. 8 is an front, bottom perspective view of the second embodiment of the floor jack extension;

FIG. 9 is a front view of the second embodiment of the floor jack extension;

FIG. 10 is a top plan view of the second embodiment of the floor jack extension;

FIG. 11 is a rear view of the second embodiment of the floor jack extension;

FIG. 12 is an front, top perspective view of a third embodiment of an floor jack extension;

FIG. 13 is an front, bottom perspective view of the third embodiment of the floor jack extension;

FIG. 14 is a front view of the third embodiment of the floor jack extension;

FIG. 15 is a top plan view of the third embodiment of the floor jack extension;

FIG. 16 is a rear view of the third embodiment of the floor jack extension;

FIG. 17 is an front, top perspective view of a fourth embodiment of an floor jack extension;

FIG. 18 is an front, bottom perspective view of the fourth embodiment of the floor jack extension;

FIG. 19 is a front view of the fourth embodiment of the floor jack extension;

FIG. 20 is a top plan view of the fourth embodiment of the floor jack extension;

FIG. 21 is a rear view of the fourth embodiment of the floor jack extension;

FIG. 22 is an front, top perspective view of a fifth embodiment of an floor jack extension;

FIG. 23 is an front, bottom perspective view of the fifth embodiment of the floor jack extension;

FIG. 24 is a front view of the fifth embodiment of the floor jack extension;

FIG. 25 is a top plan view of the fifth embodiment of the floor jack extension;

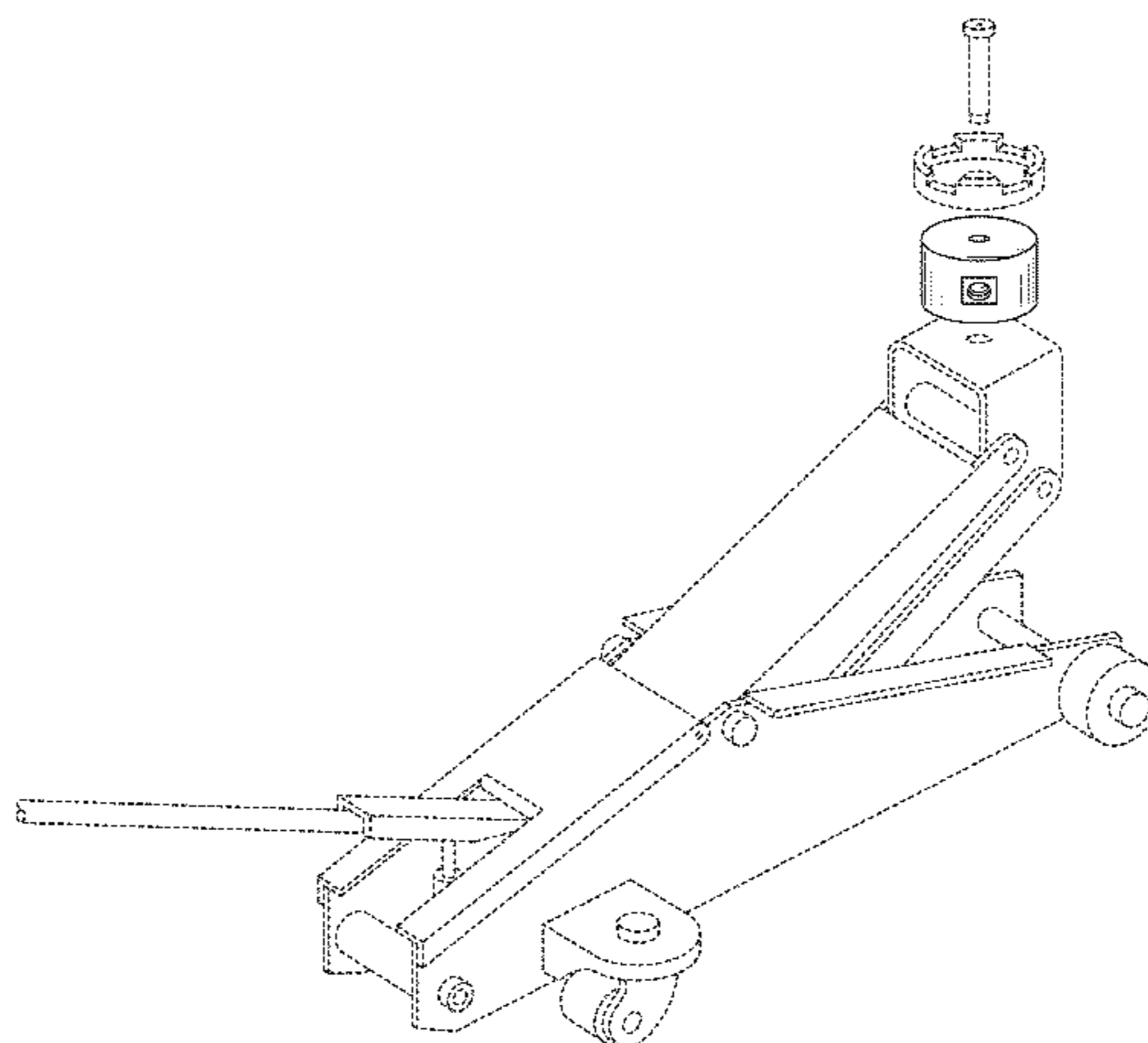


FIG. **26** is a rear view of the fifth embodiment of the floor jack extension;

FIG. **27** is an front, top perspective view of a sixth embodiment of an floor jack extension;

FIG. **28** is an front, bottom perspective view of the sixth embodiment of the floor jack extension;

FIG. **29** is a front view of the sixth embodiment of the floor jack extension;

FIG. **30** is a top plan view of the sixth embodiment of the floor jack extension; and,

FIG. **31** is a rear view of the sixth embodiment of the floor jack extension.

In the drawings, the broken lines depict portions of the design that form no part of the claimed design.

1 Claim, 23 Drawing Sheets

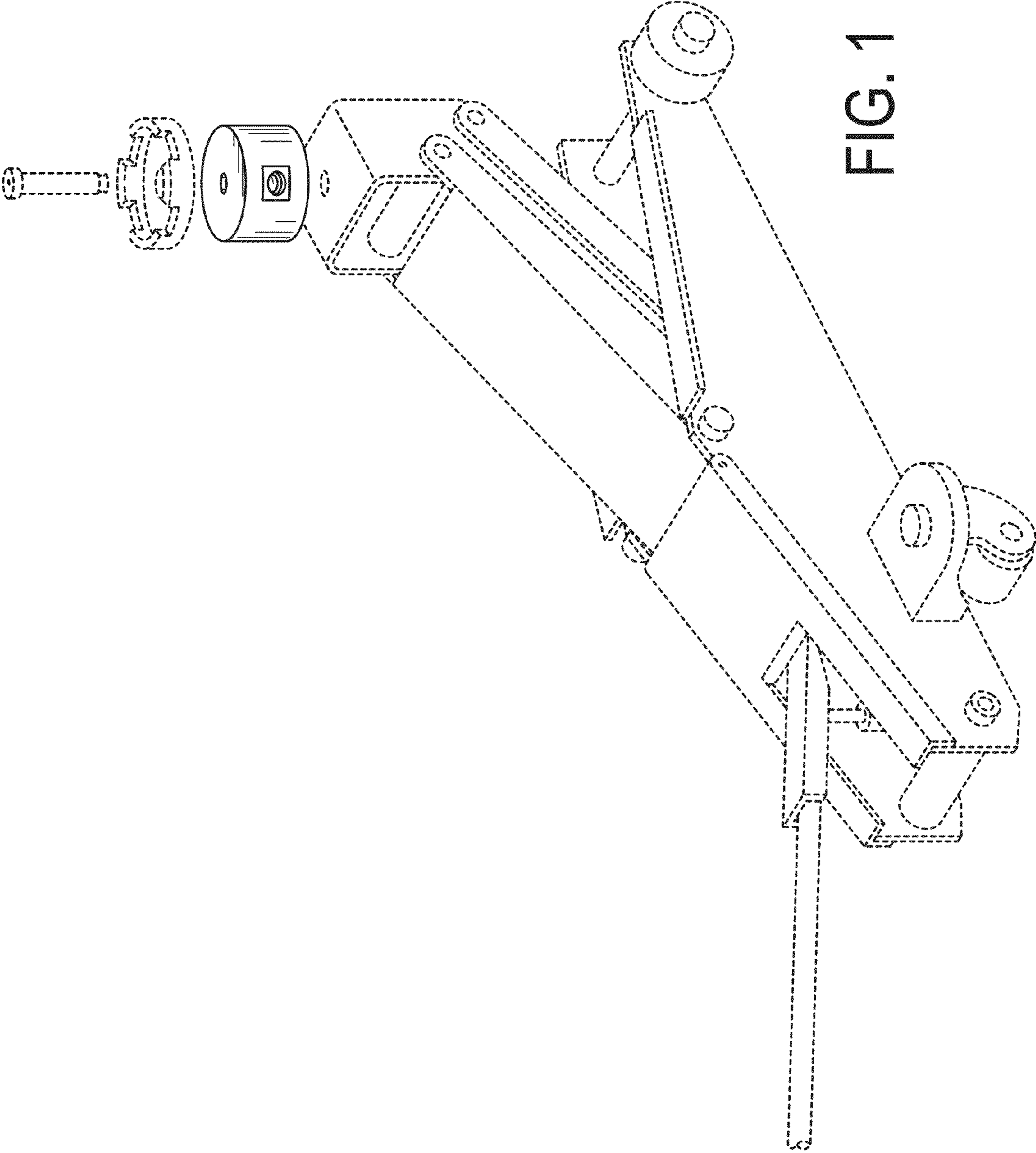


FIG. 1

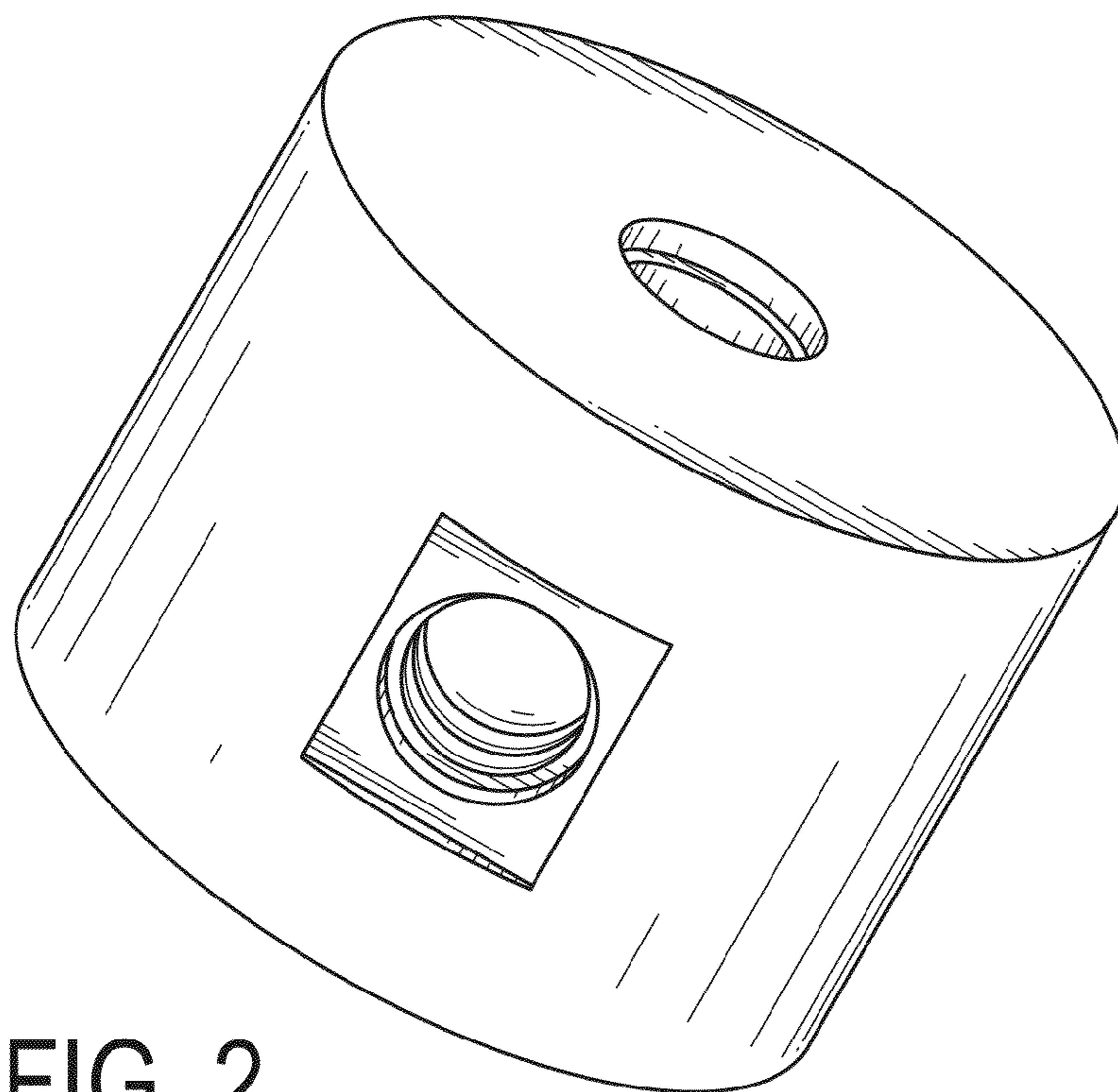


FIG. 2

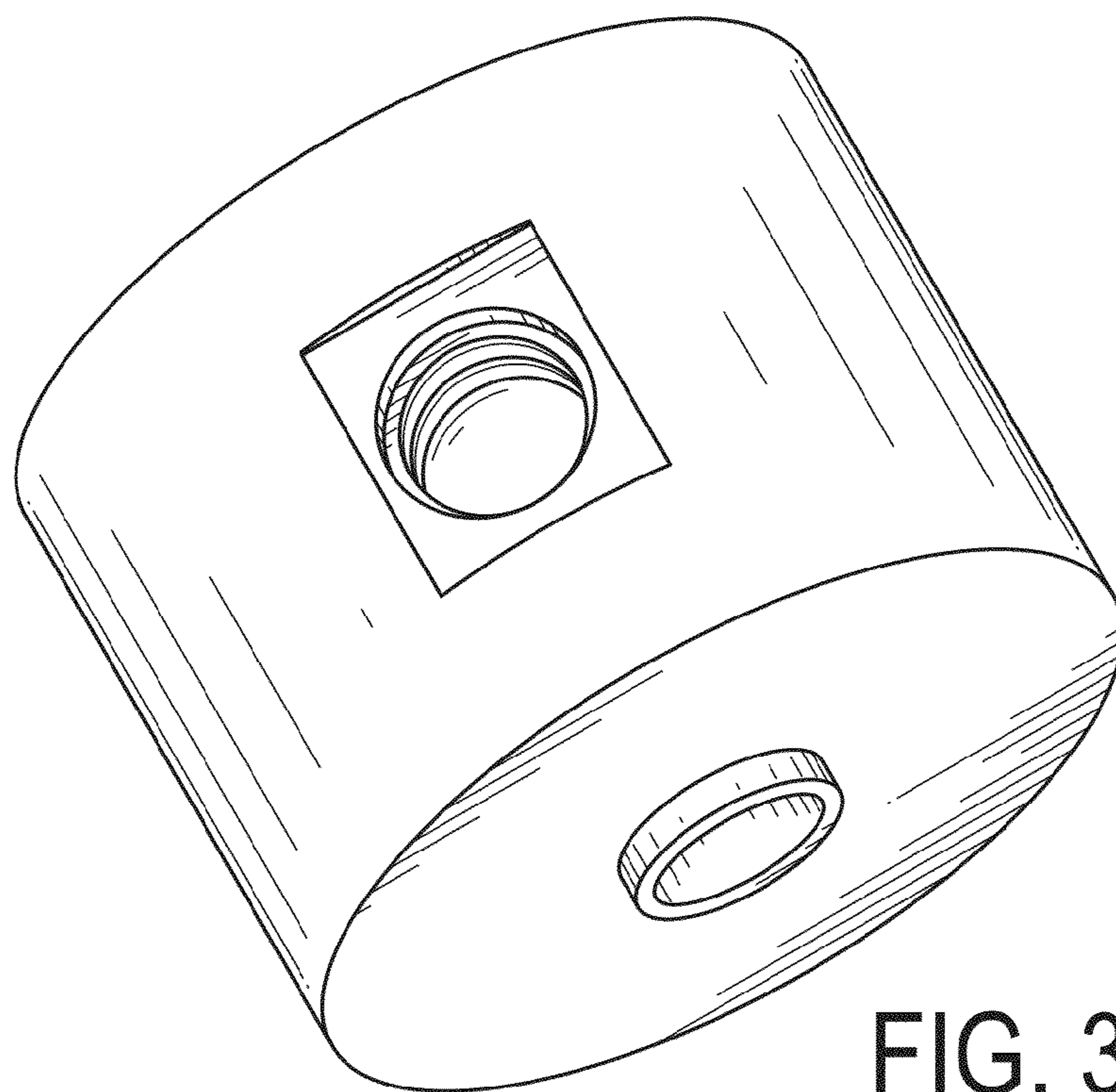


FIG. 3

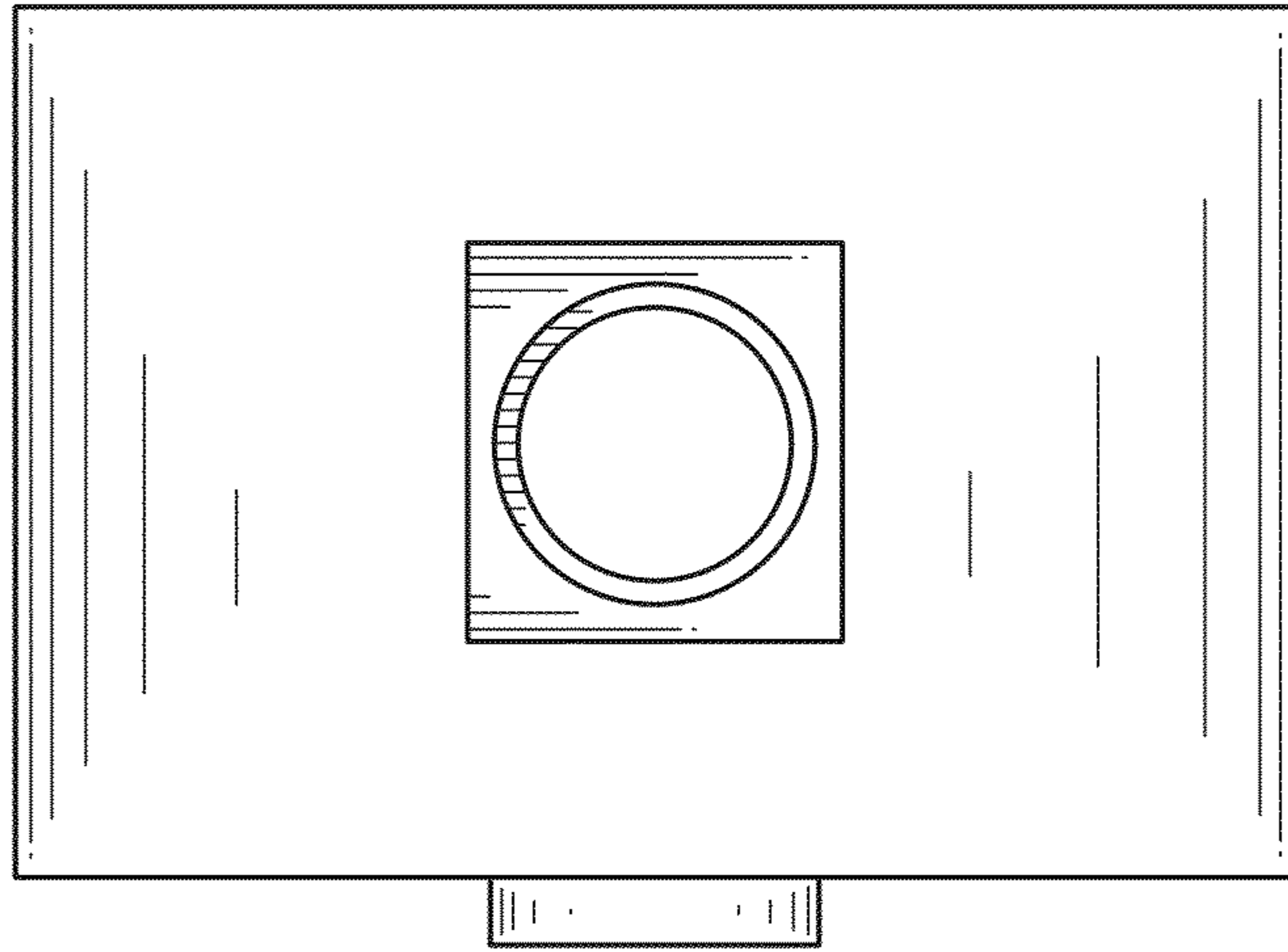


FIG. 4



FIG. 5

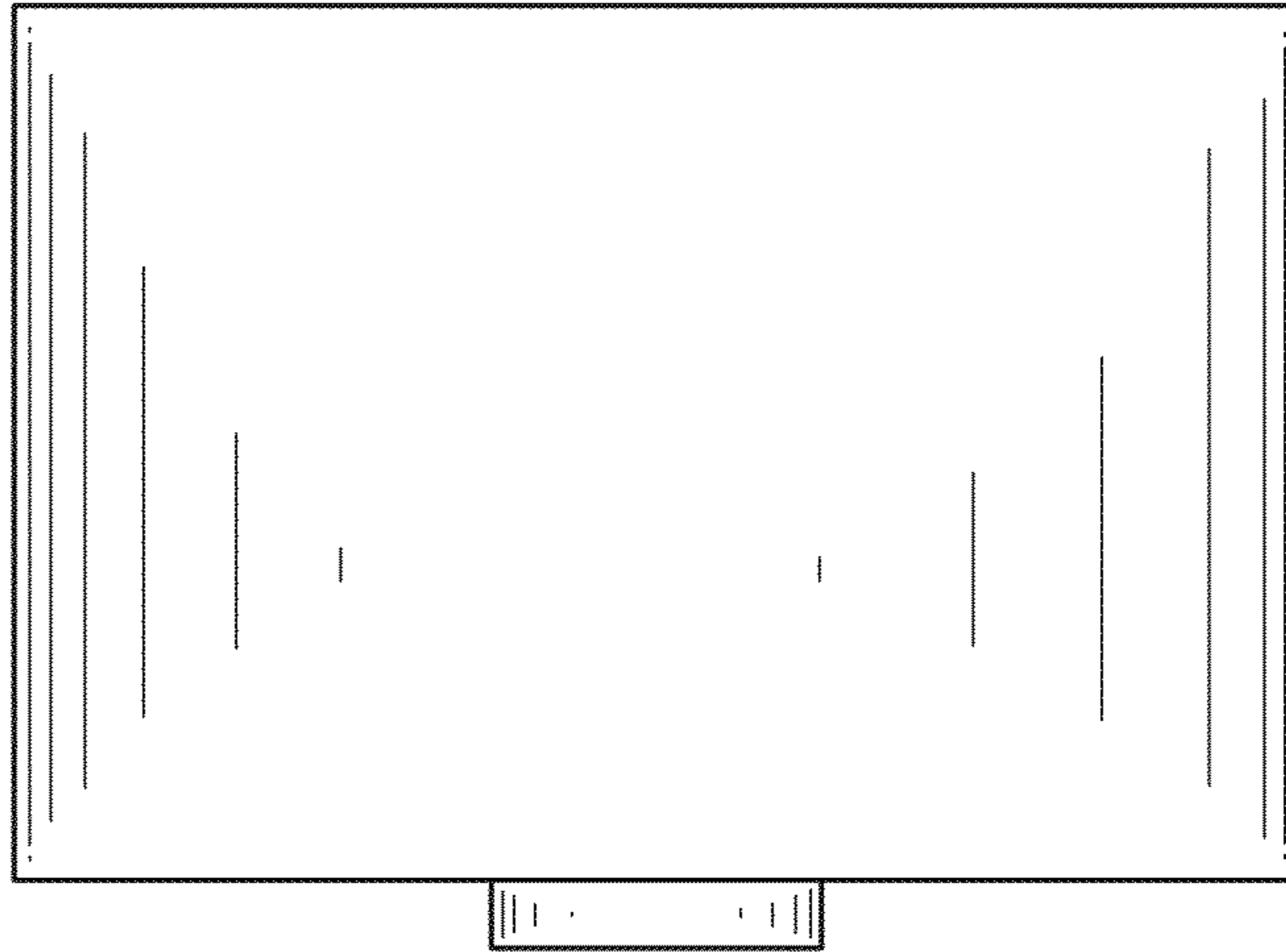


FIG. 6

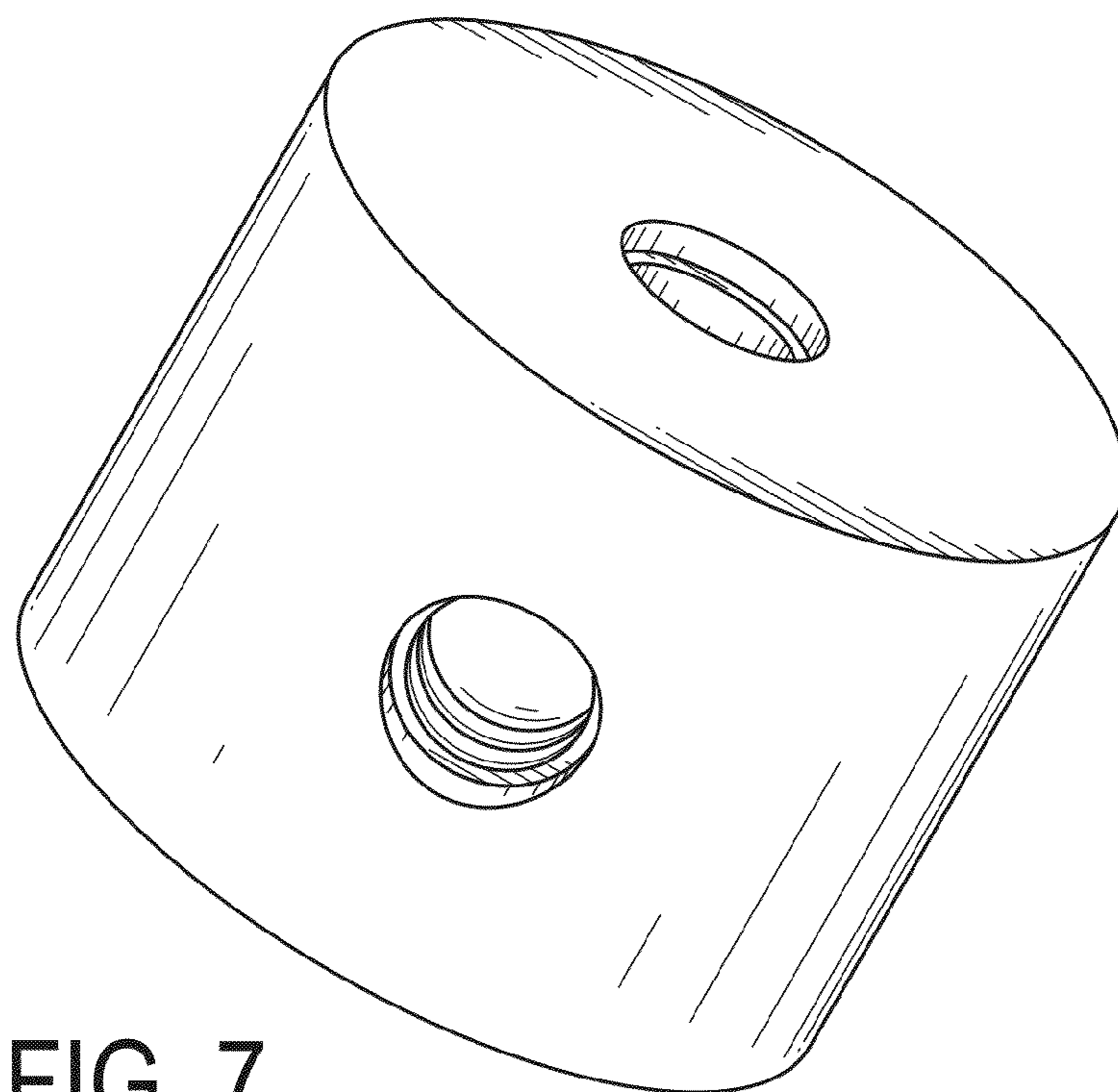


FIG. 7

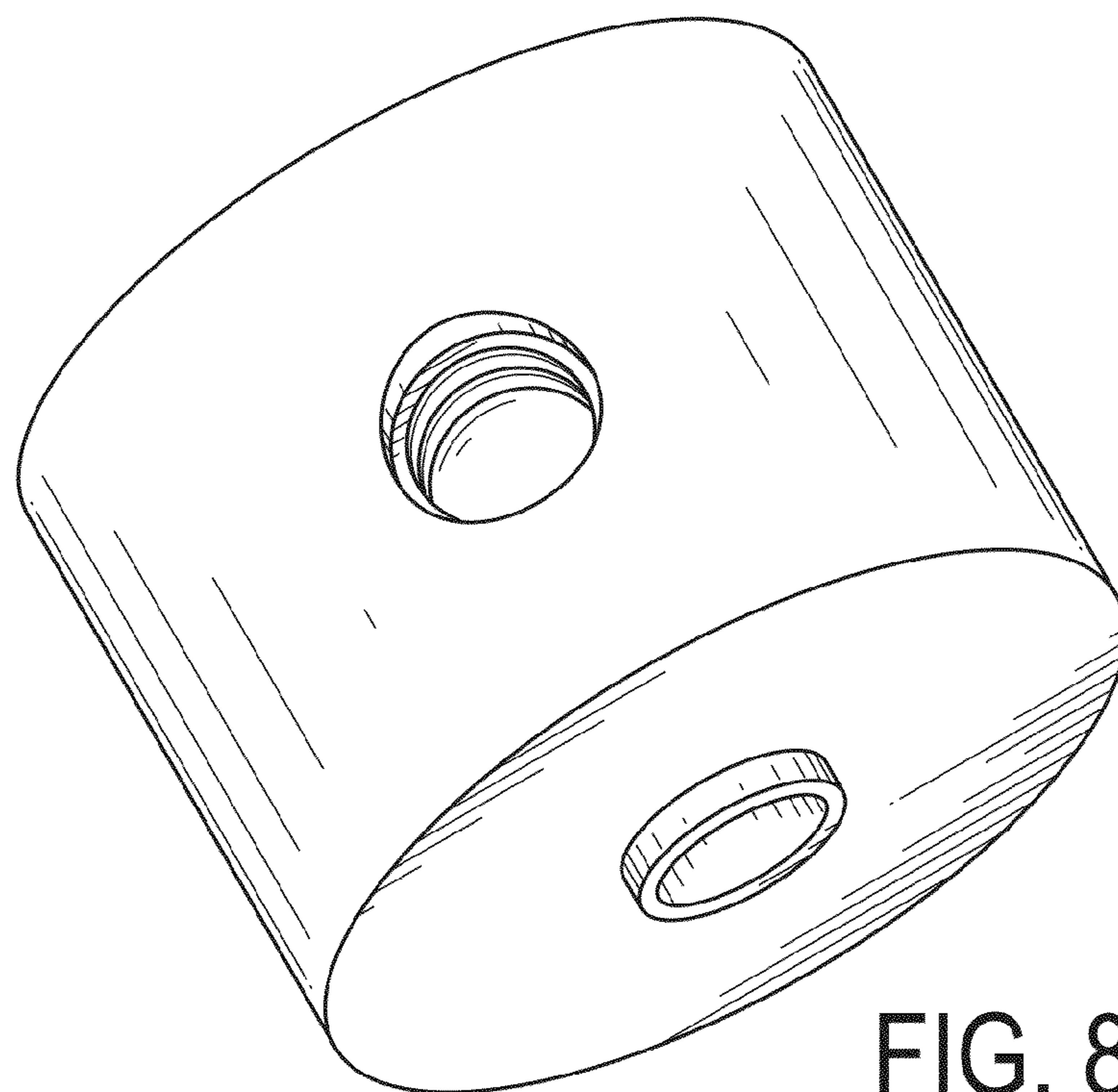


FIG. 8

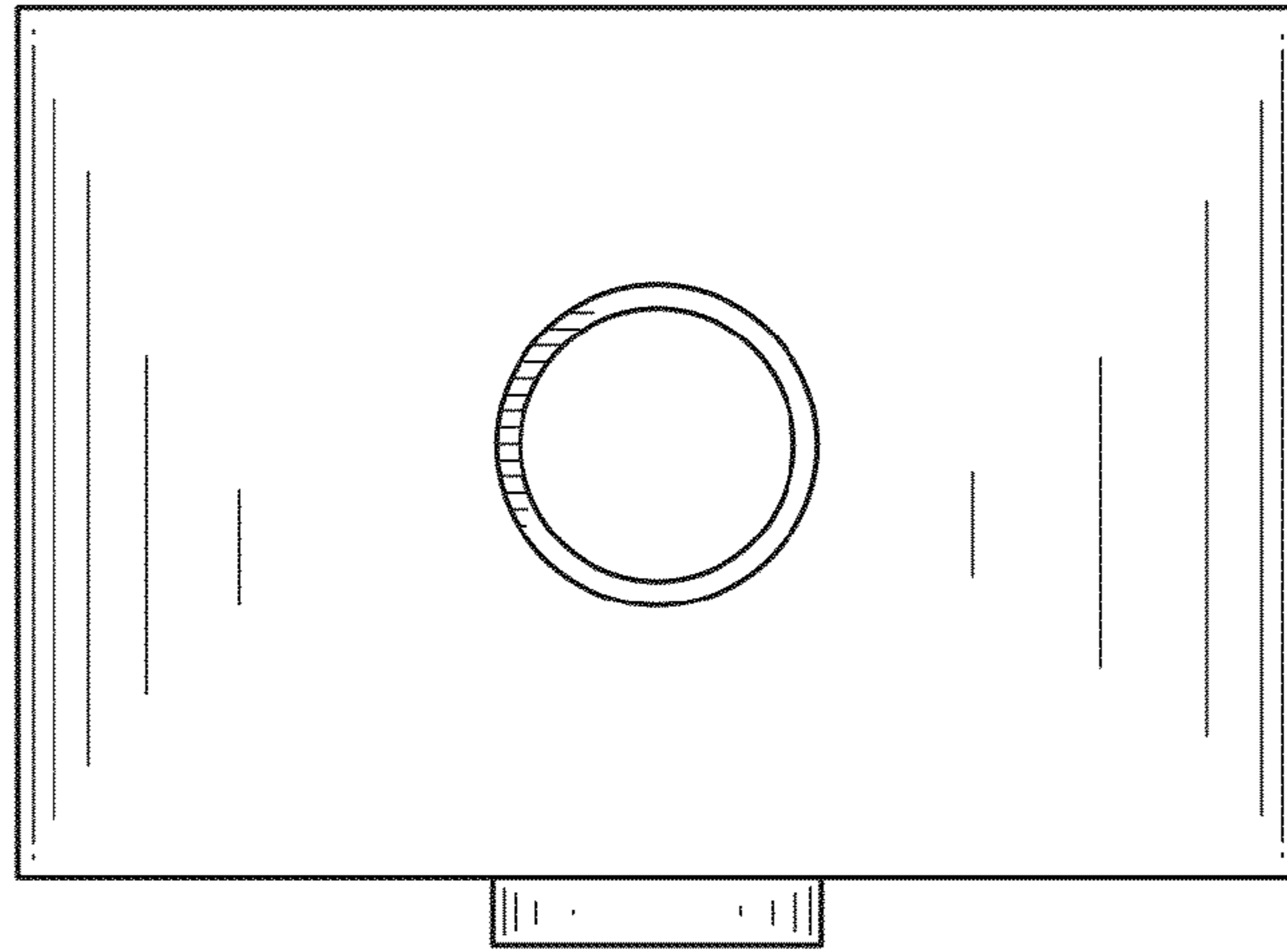


FIG. 9



FIG. 10

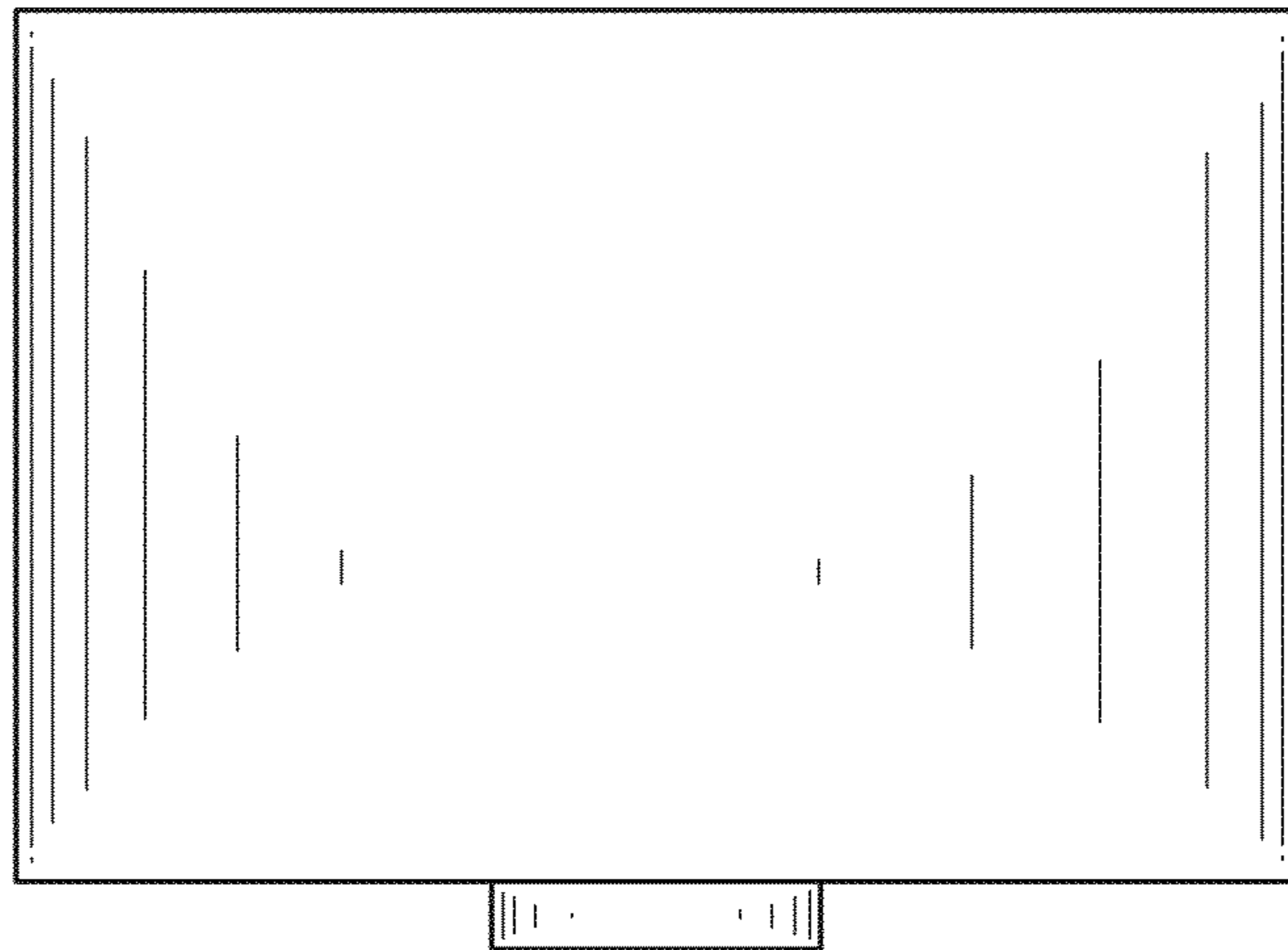


FIG. 11

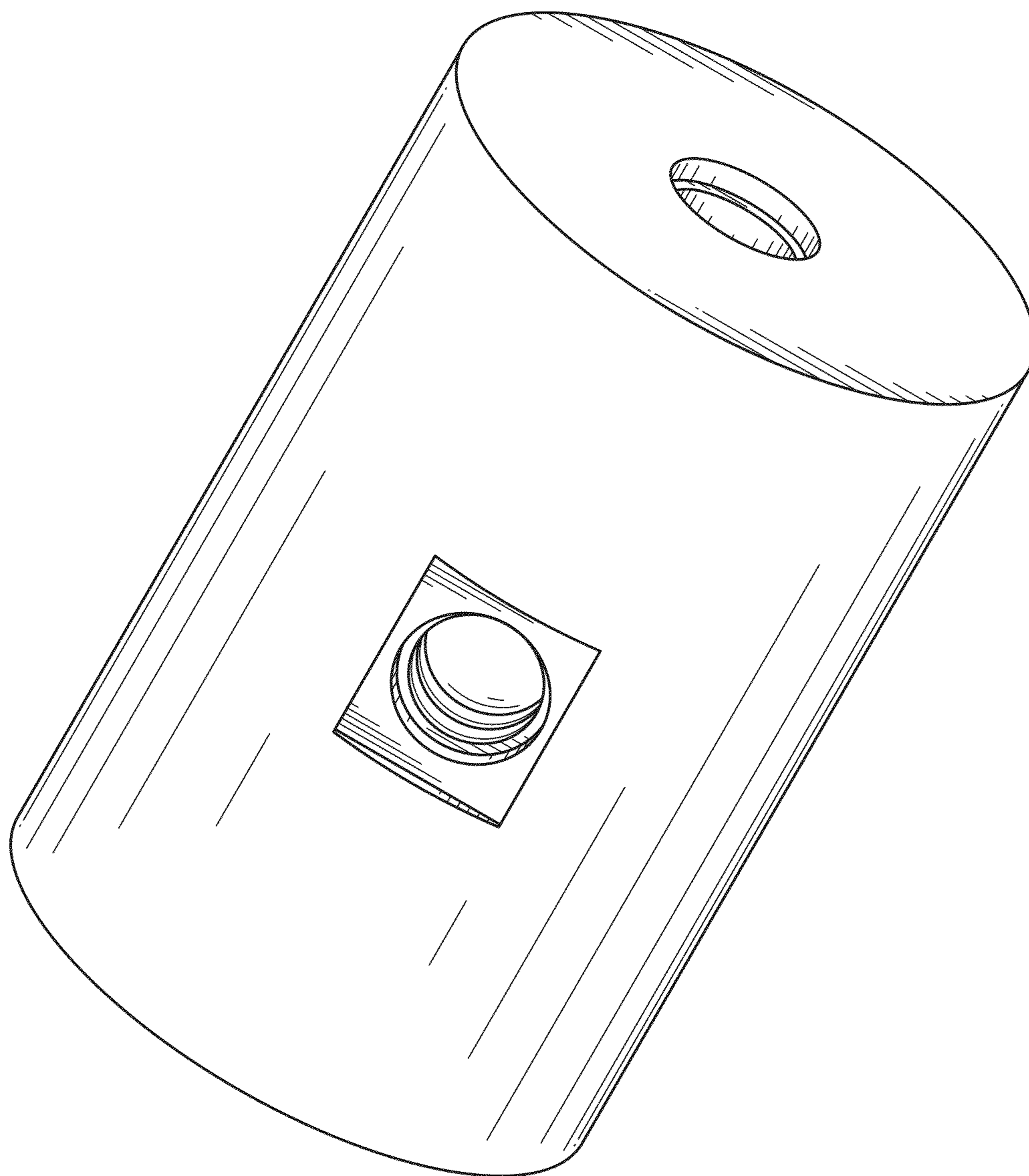


FIG. 12

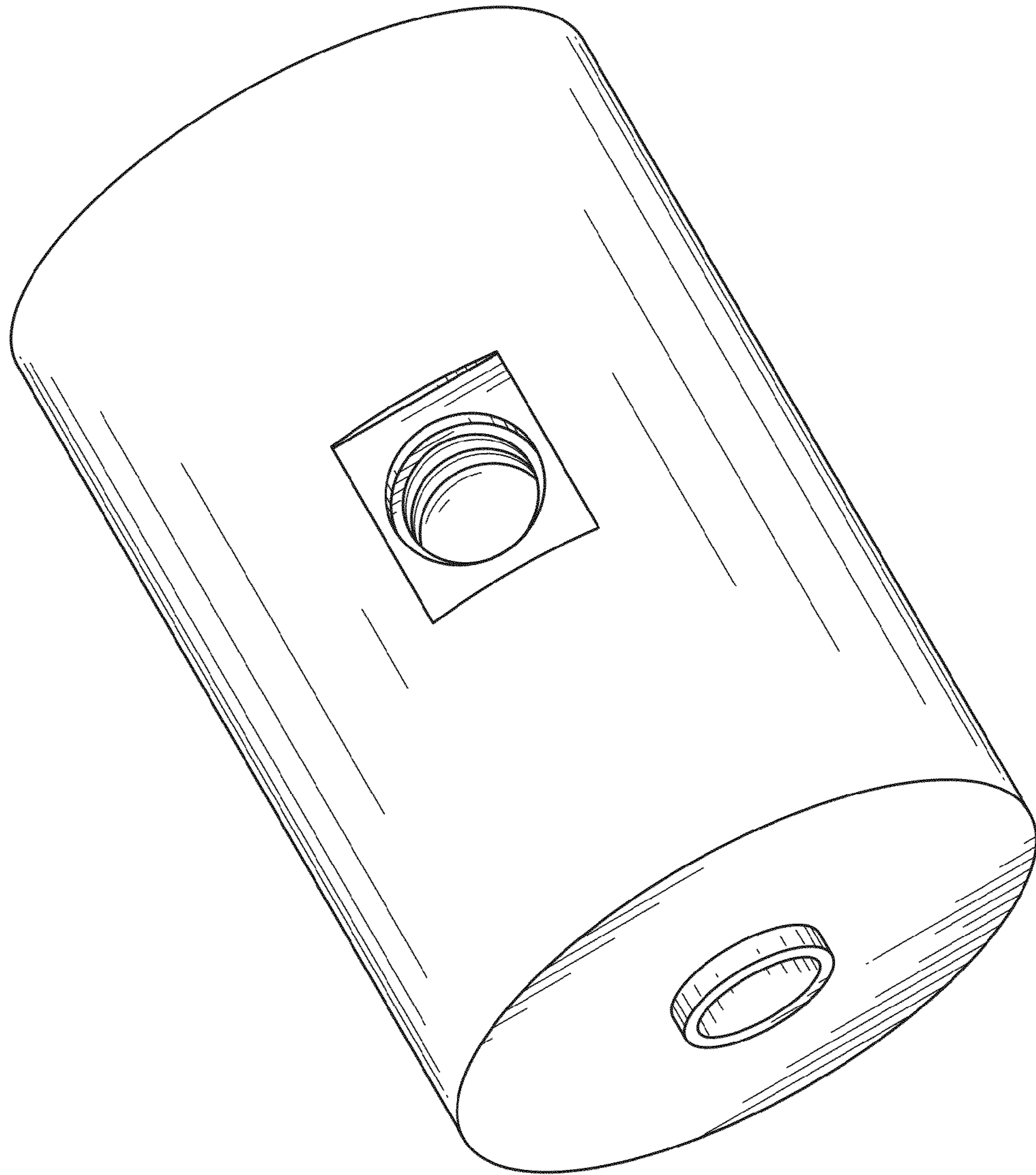


FIG. 13

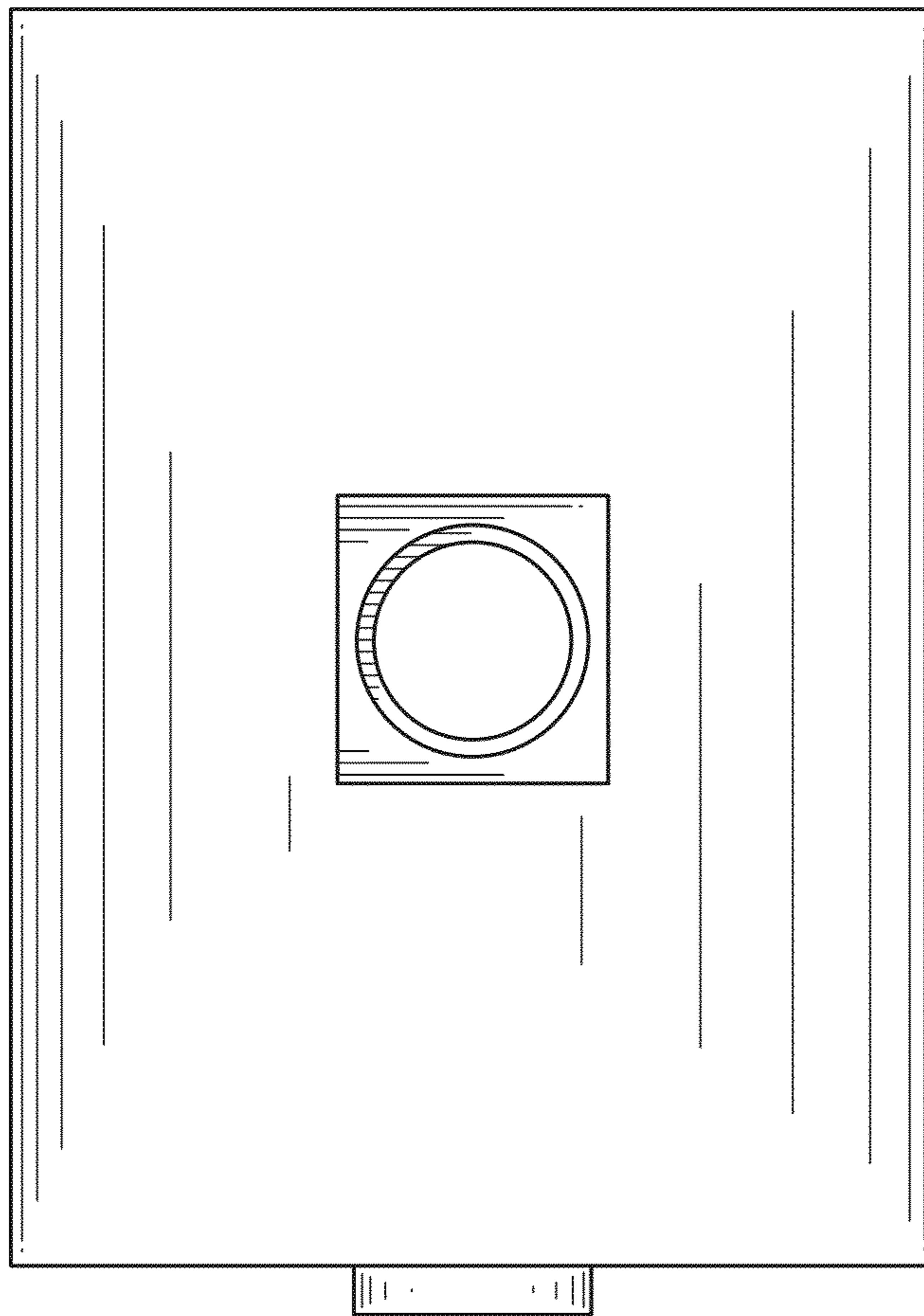


FIG. 14



FIG. 15

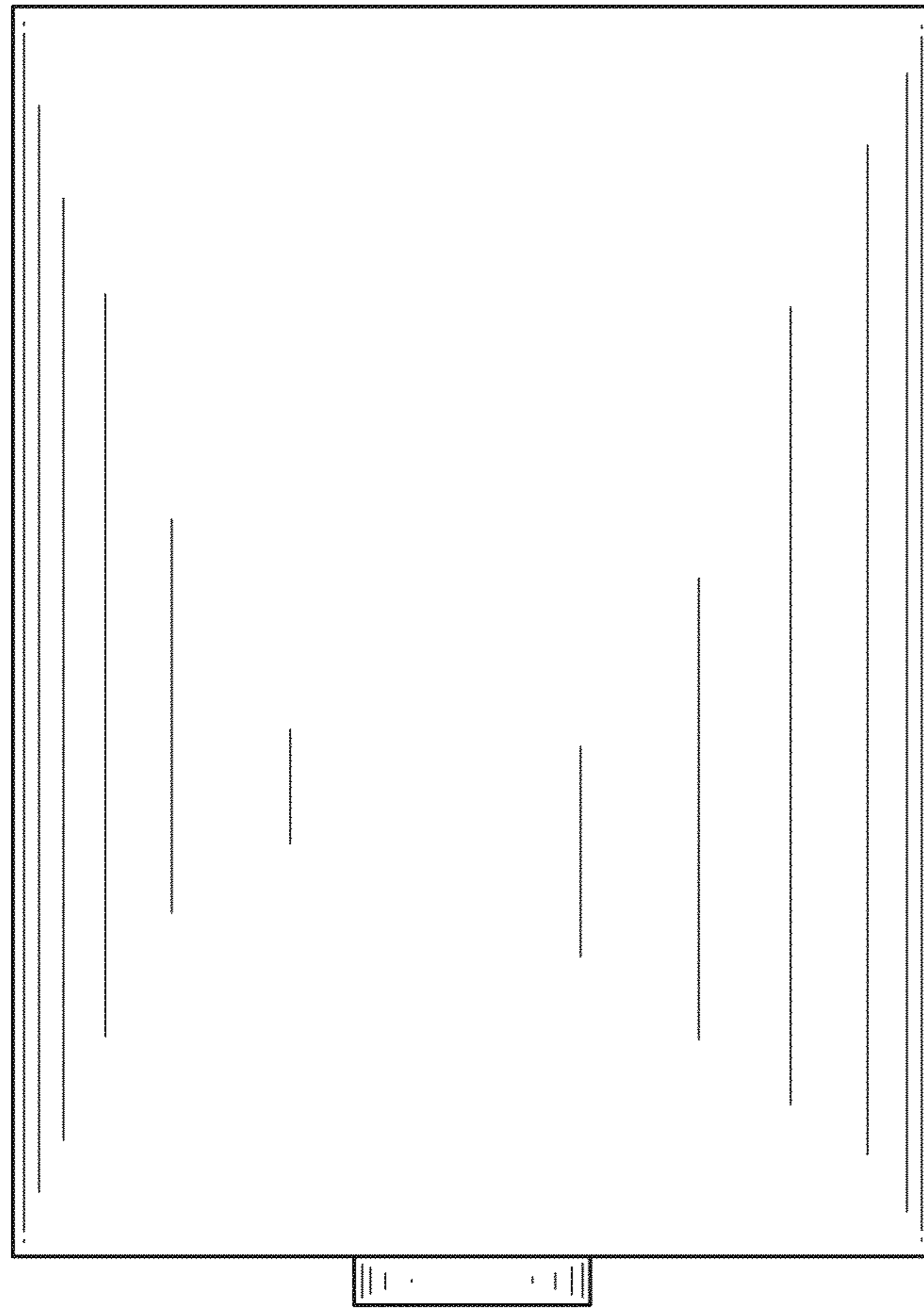


FIG. 16

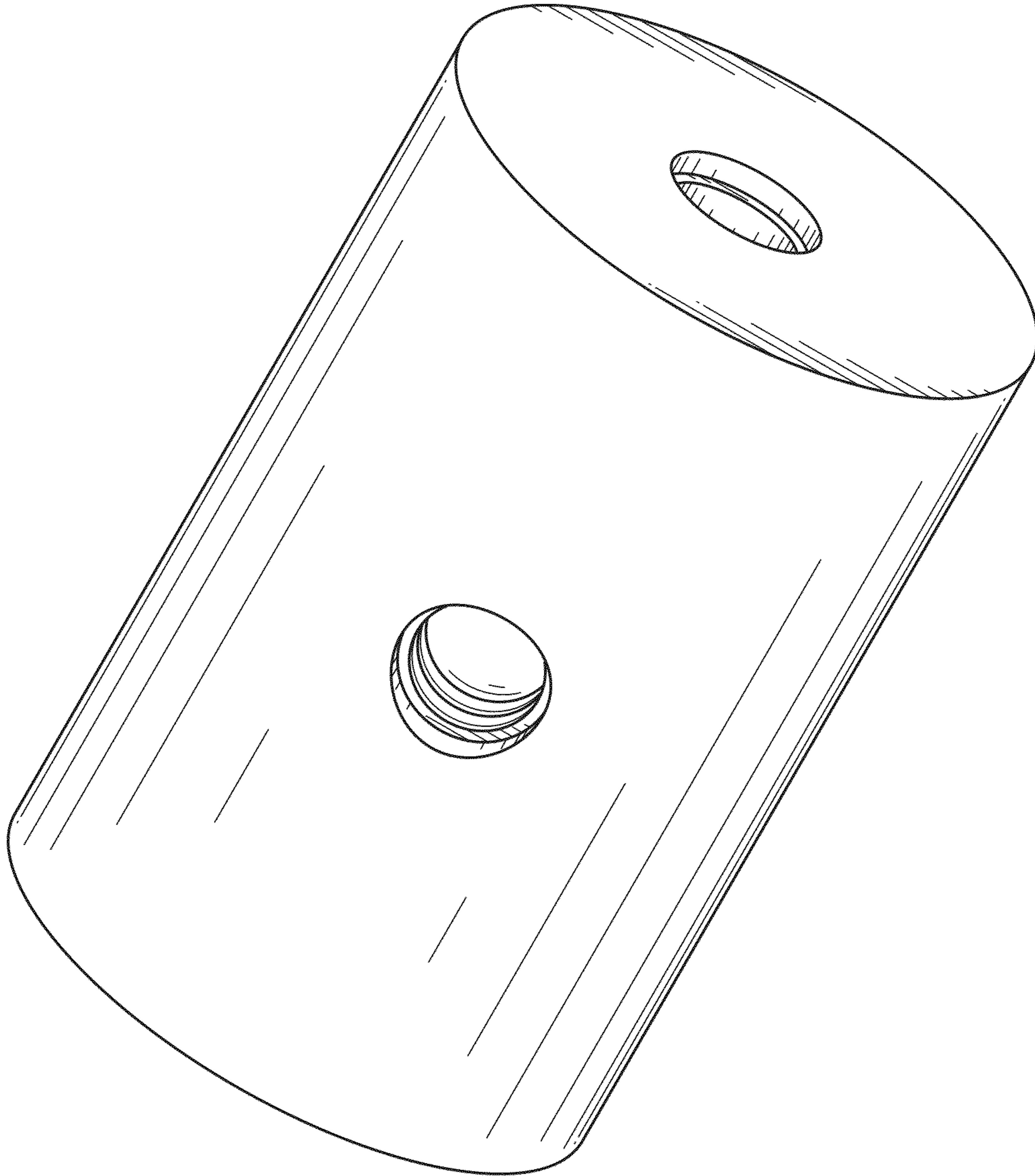


FIG. 17

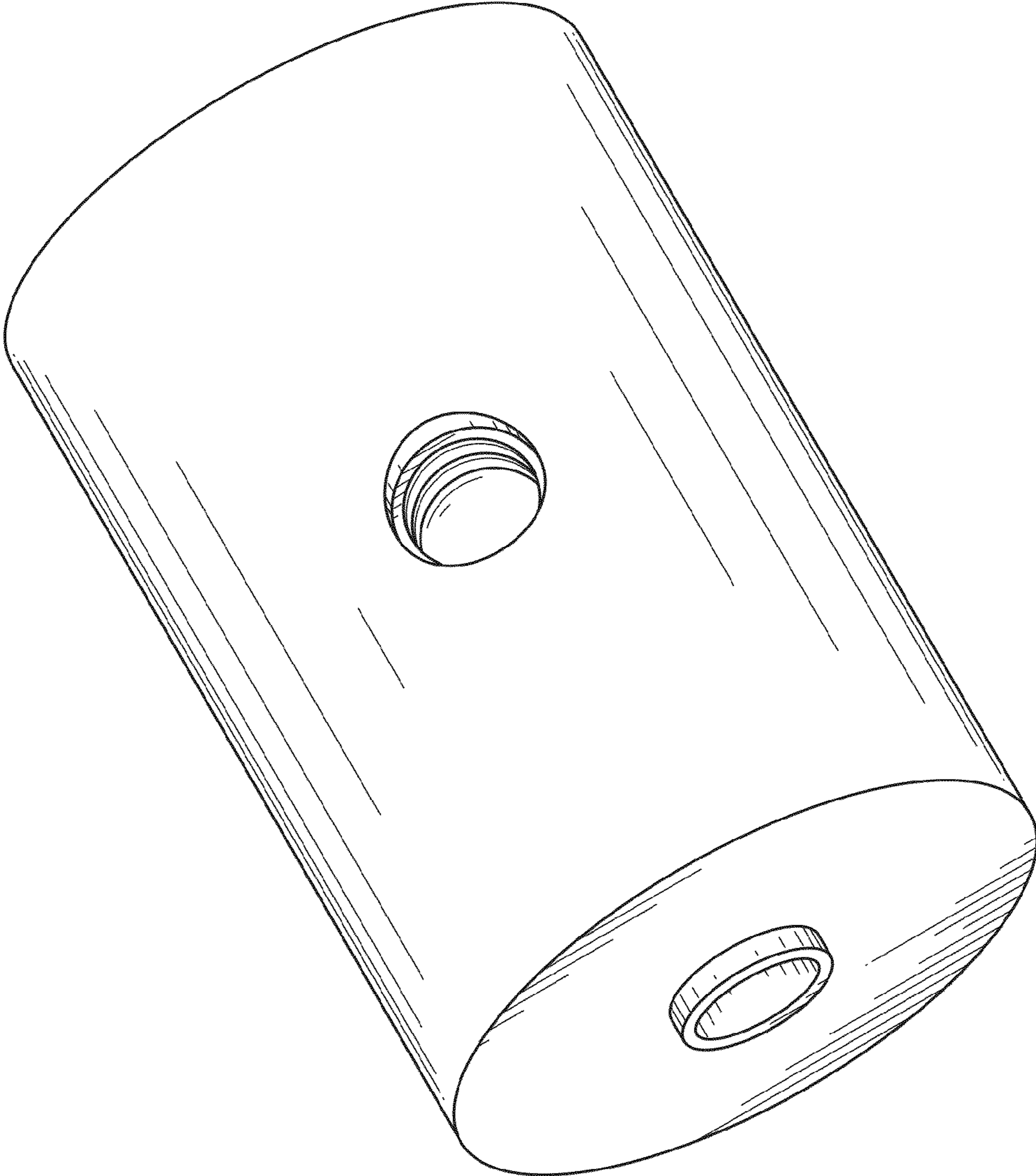


FIG. 18

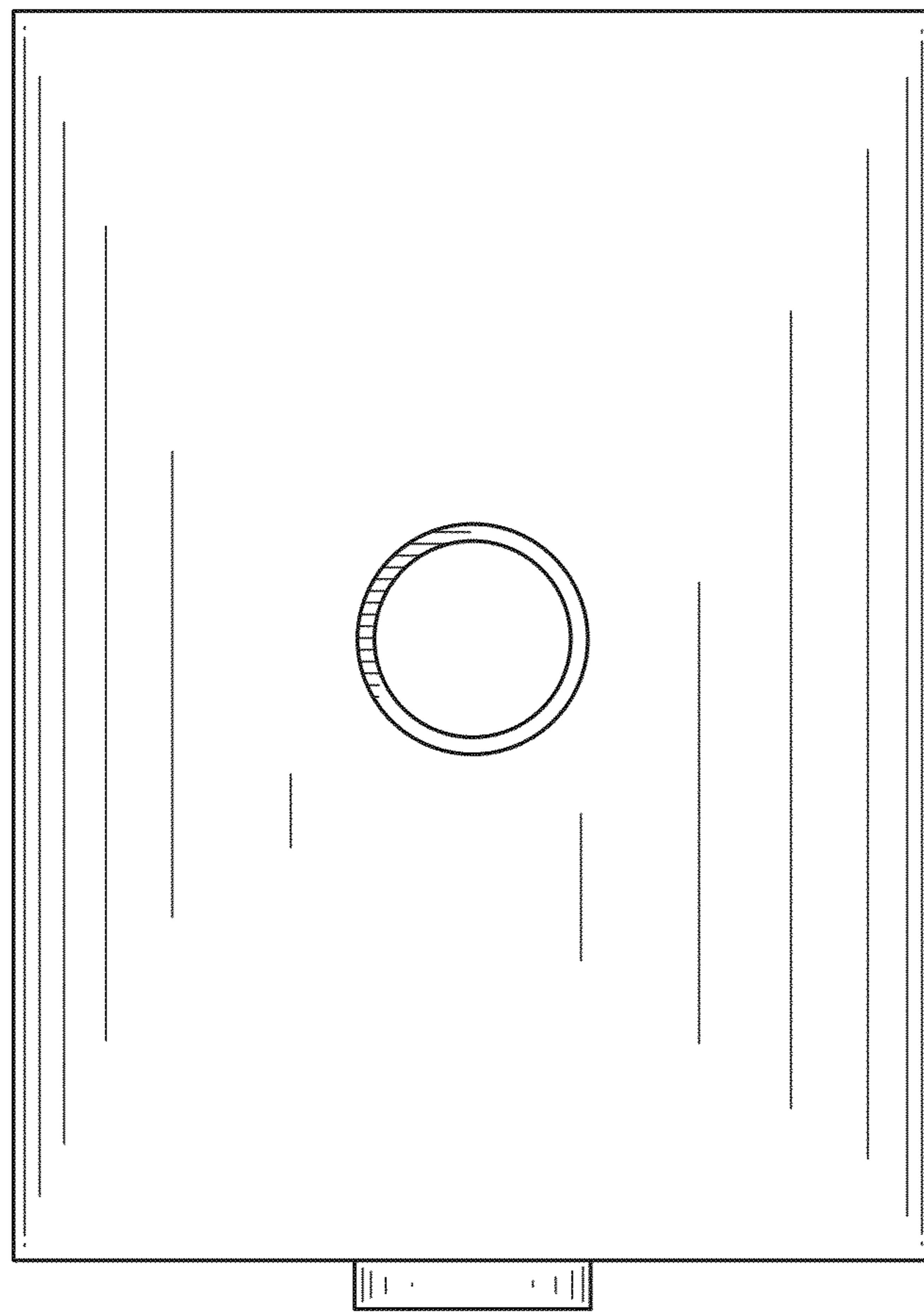


FIG. 19



FIG. 20

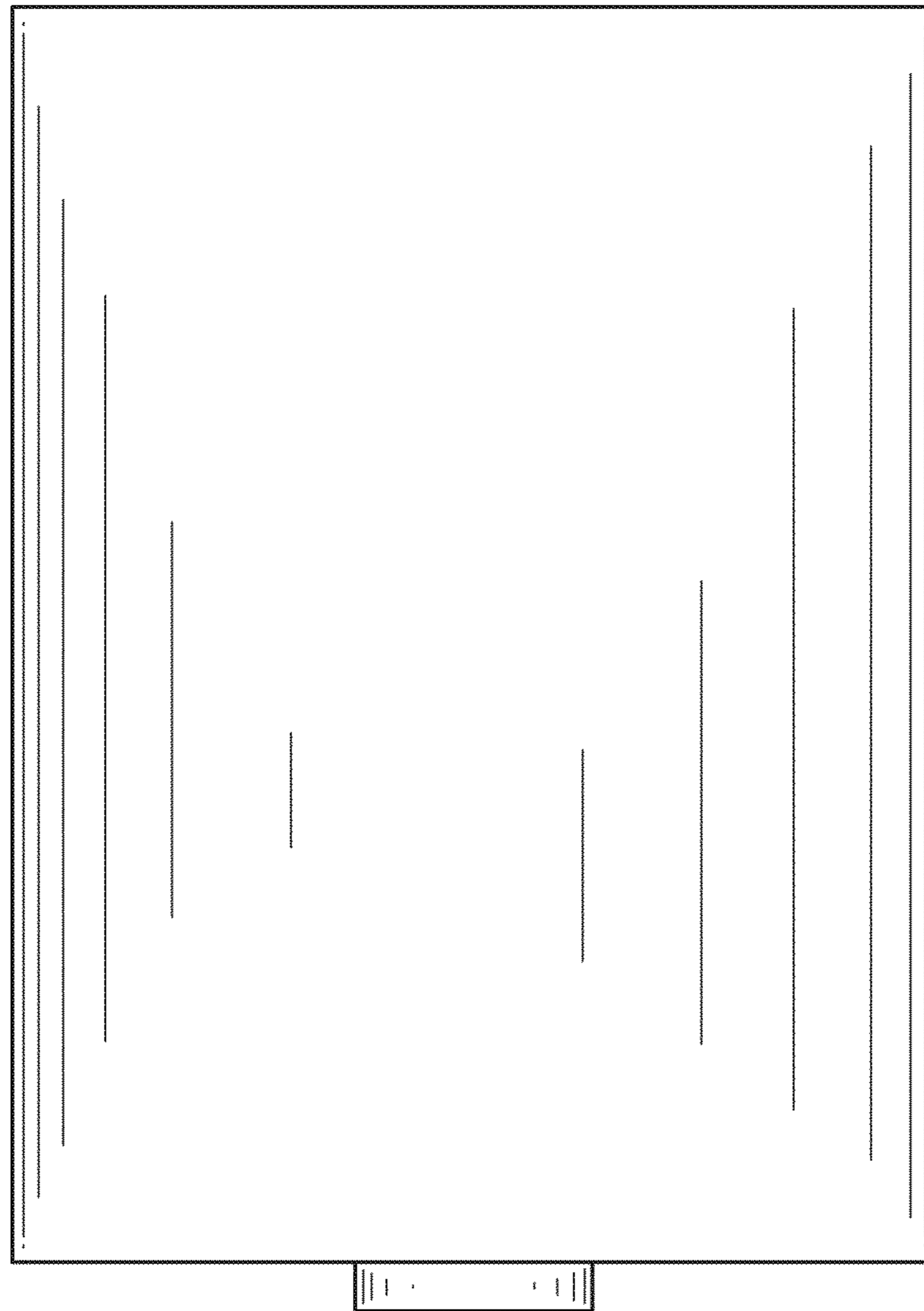


FIG. 21

FIG. 22

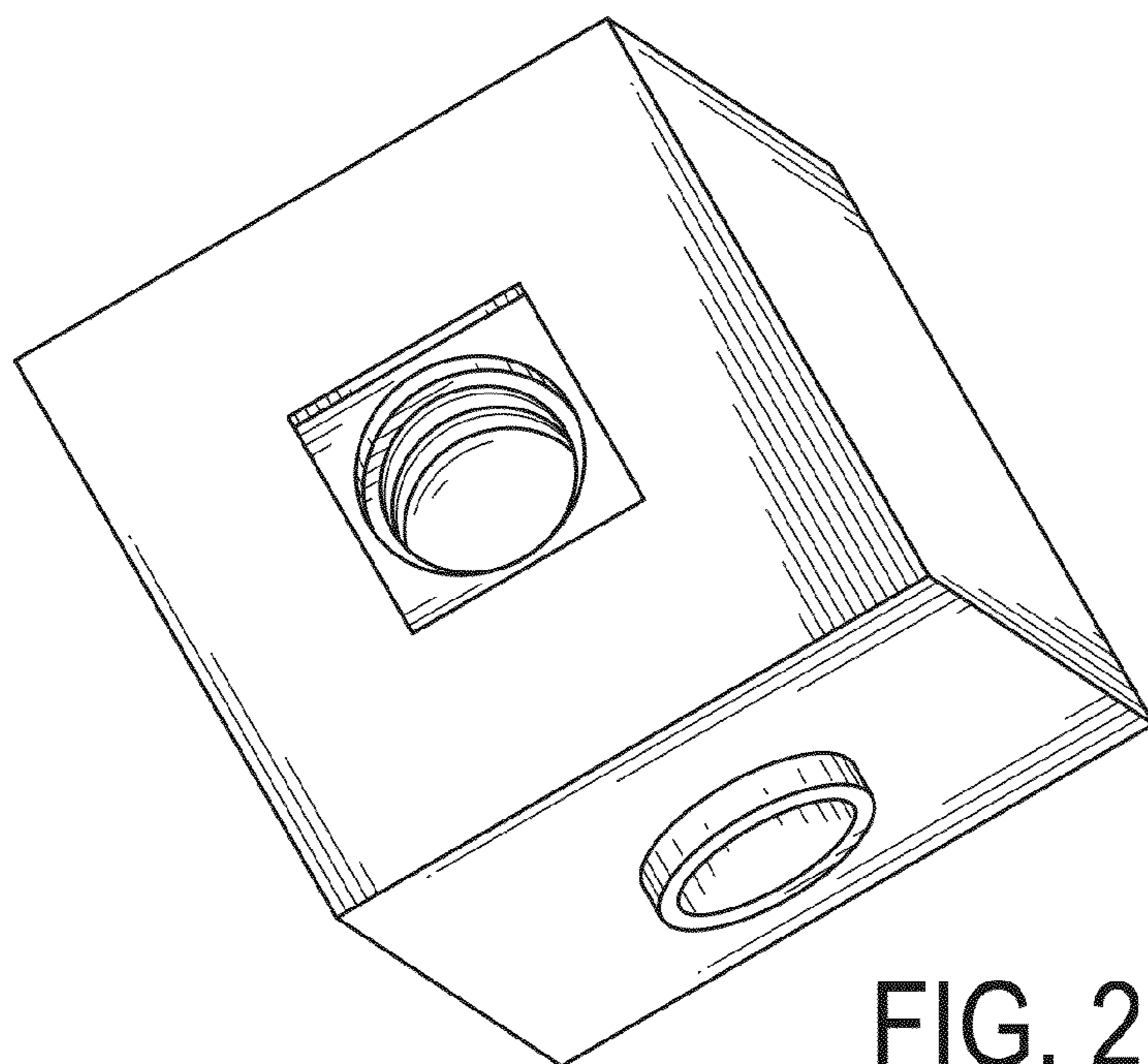
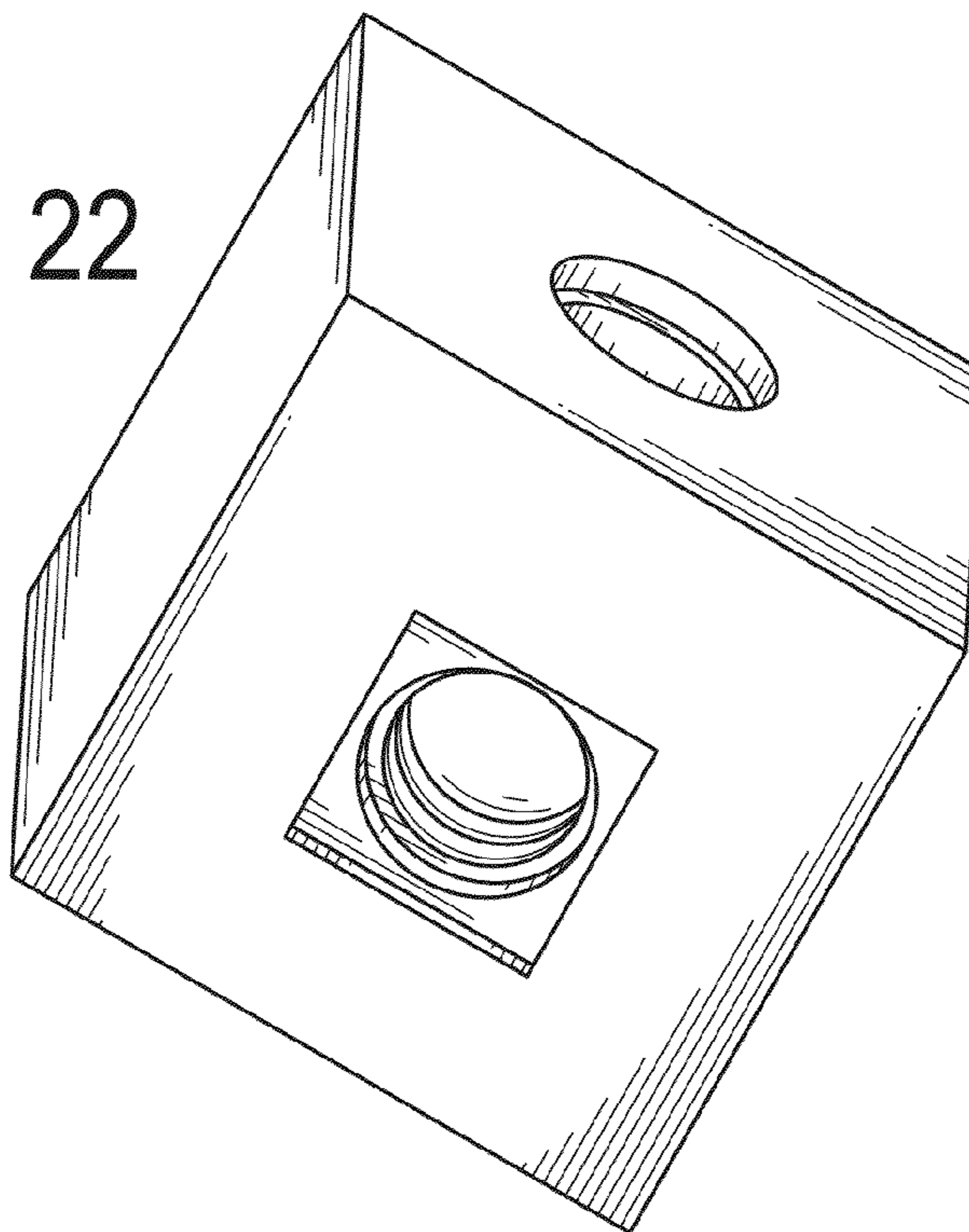


FIG. 23

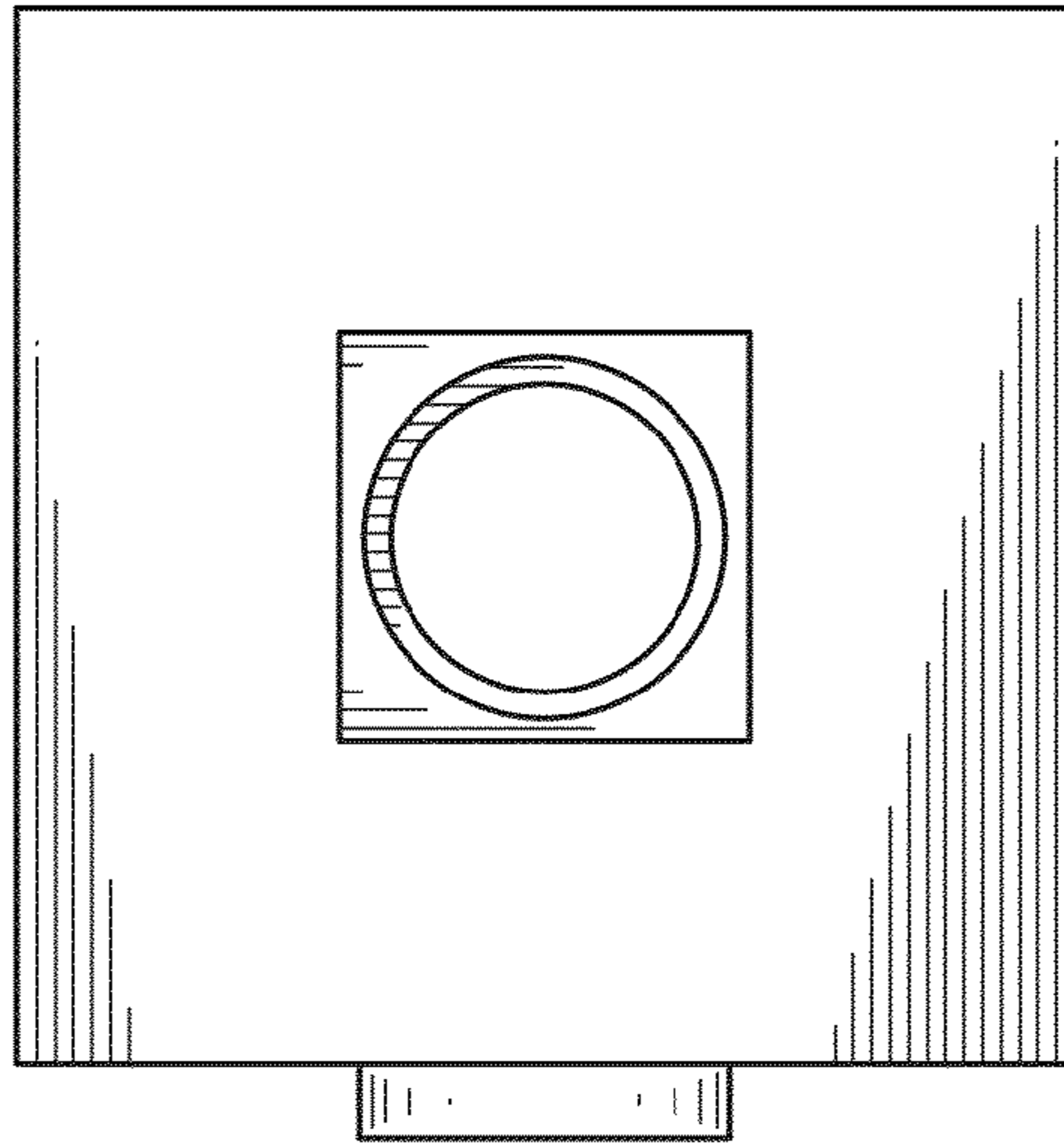


FIG. 24

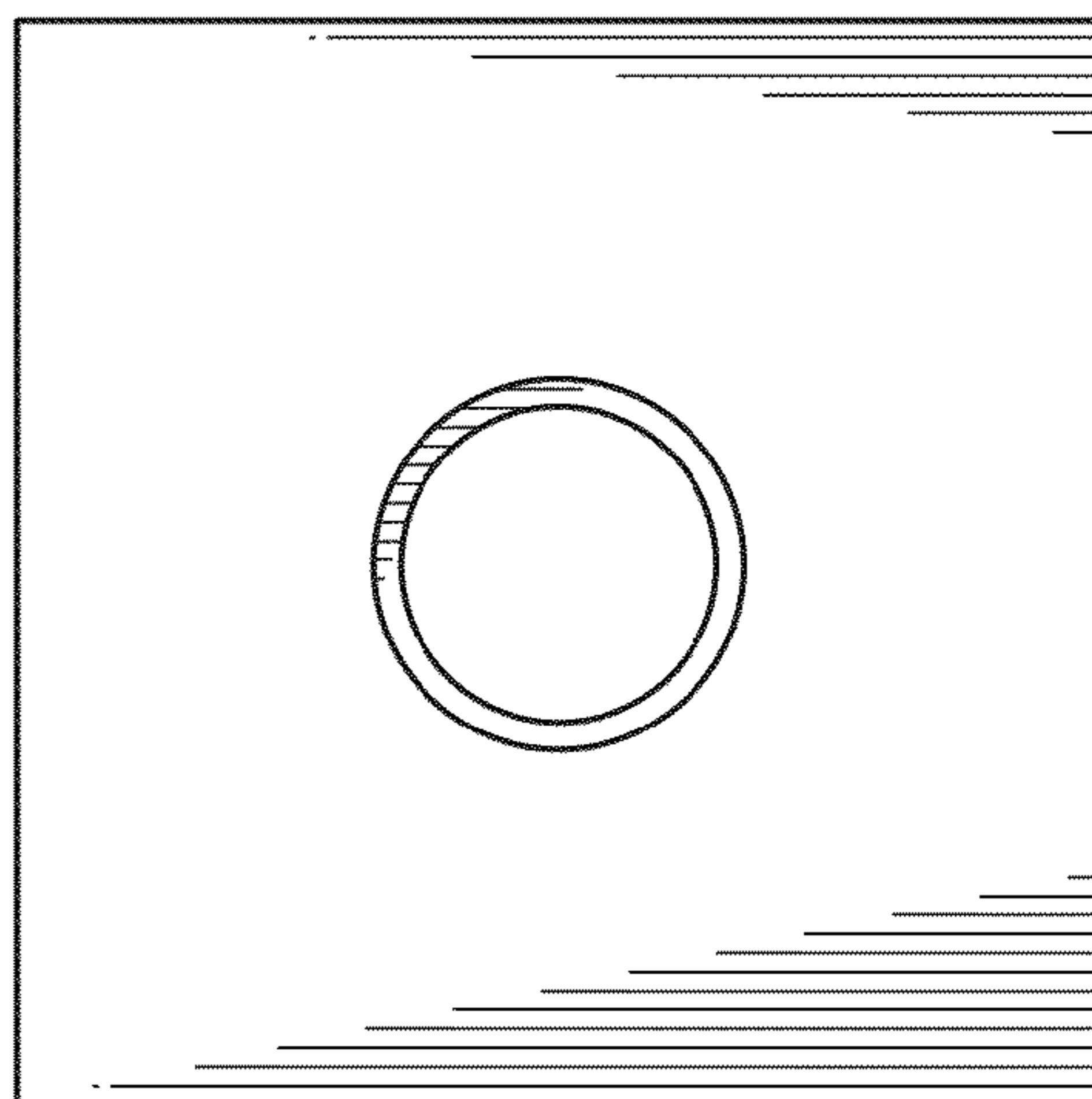


FIG. 25

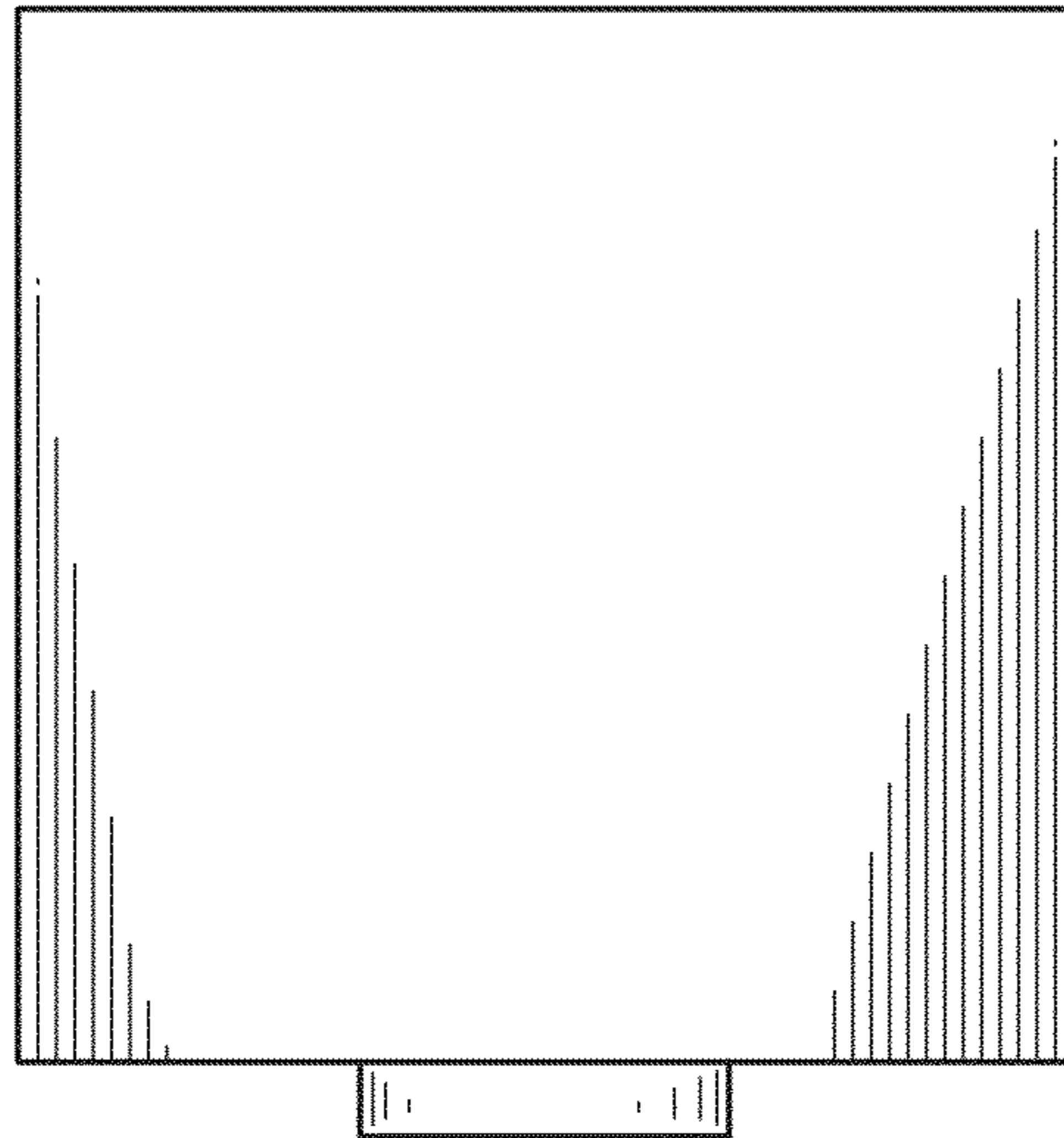


FIG. 26

FIG. 27

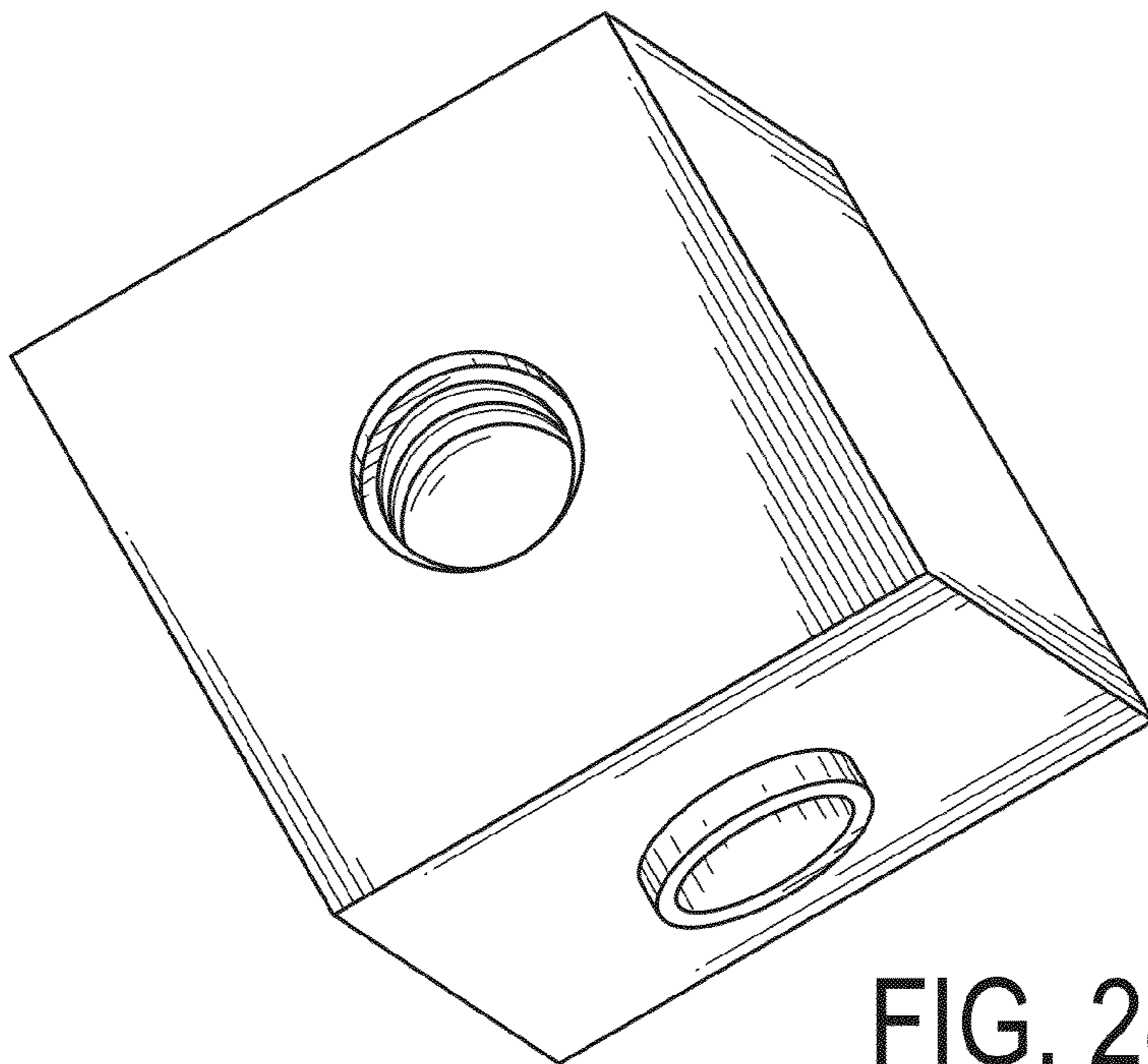
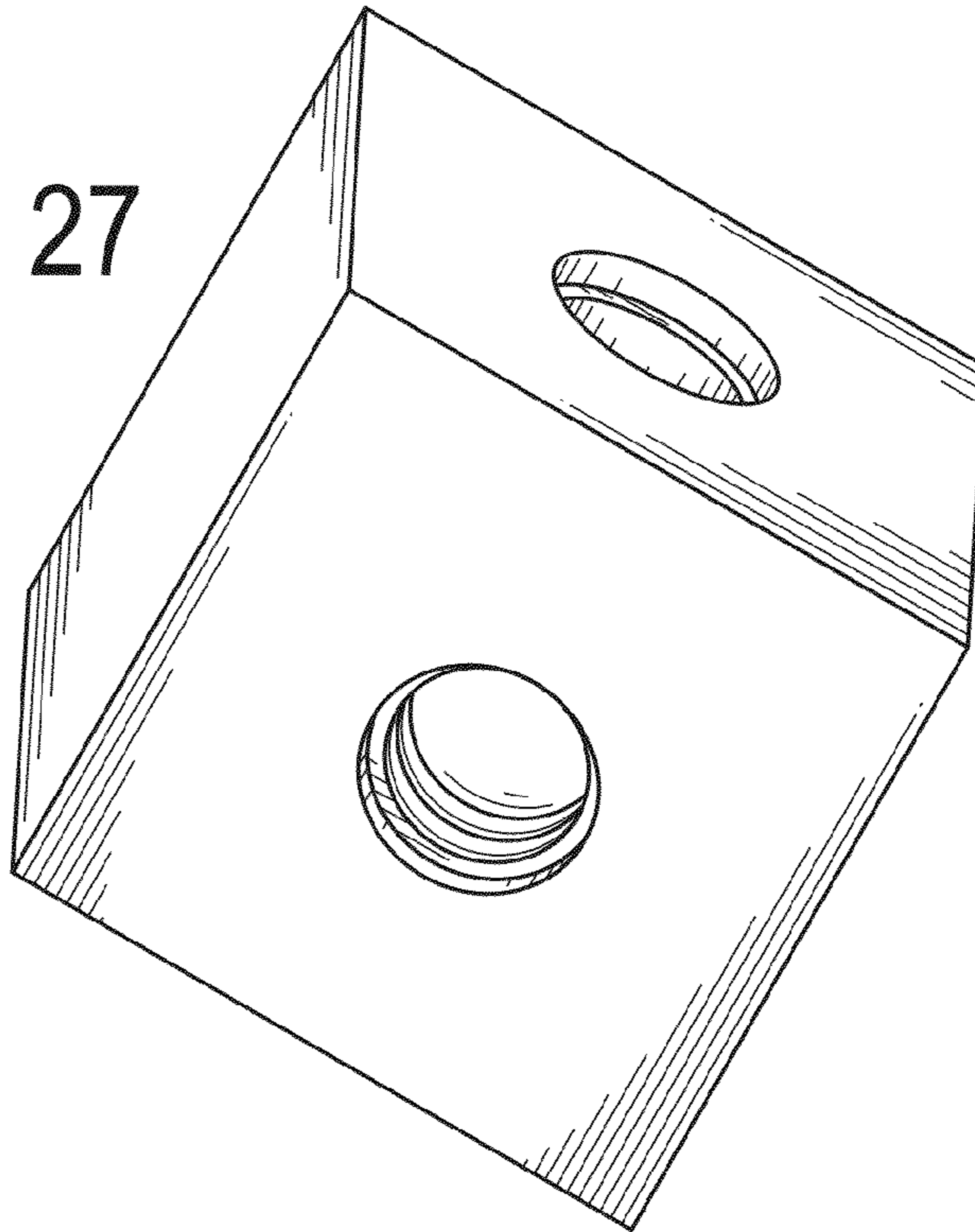


FIG. 28

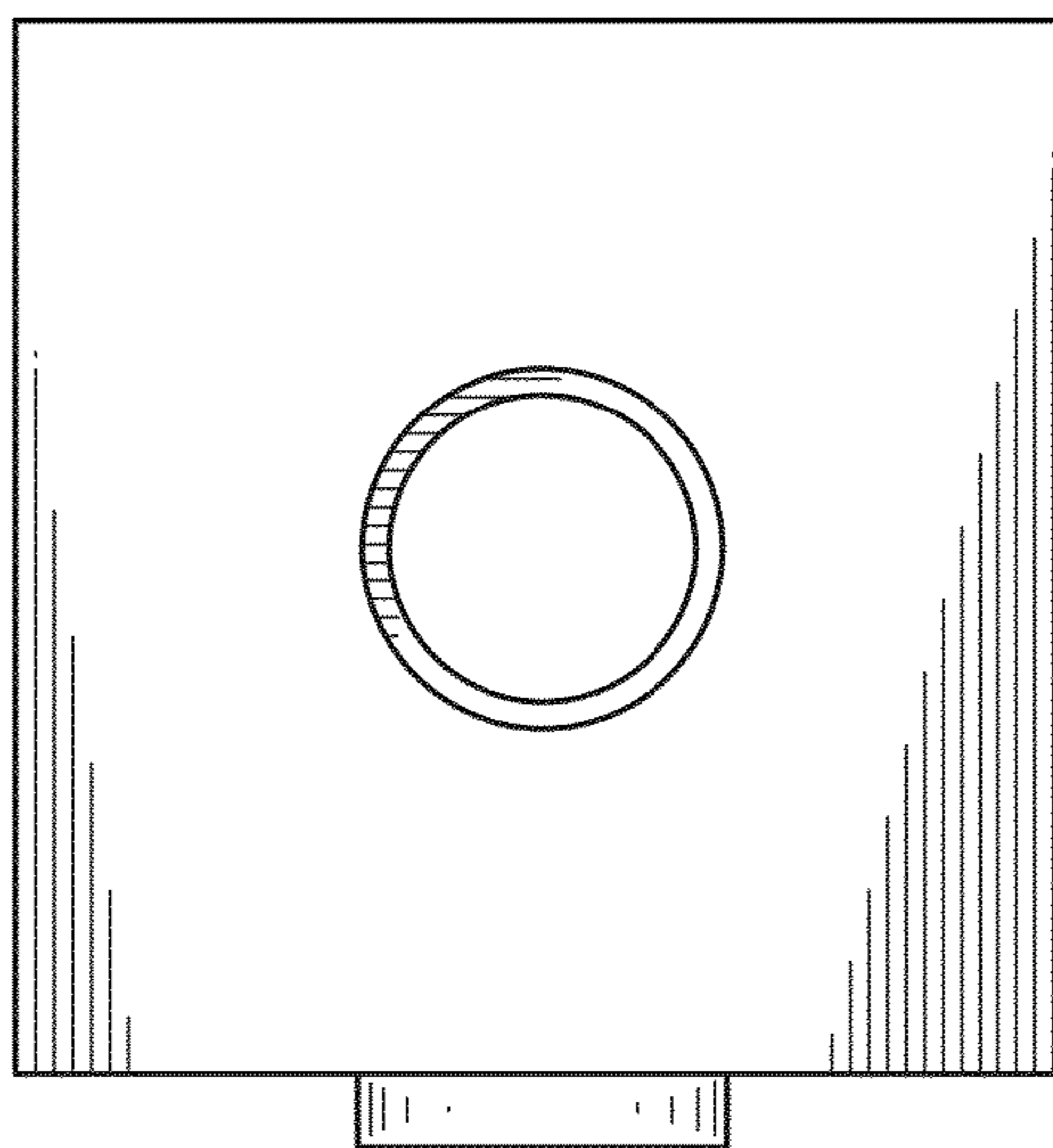


FIG. 29

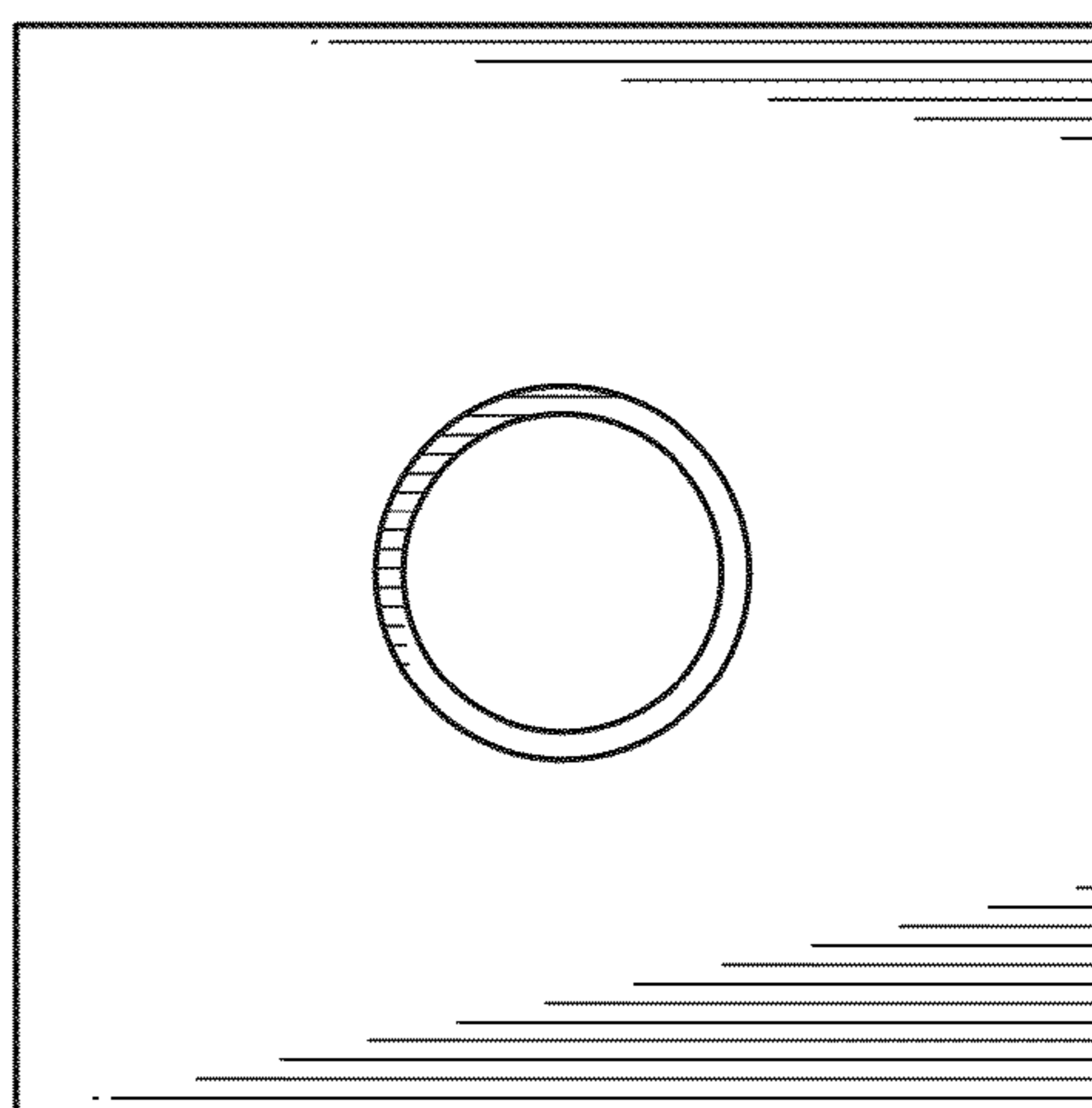


FIG. 30

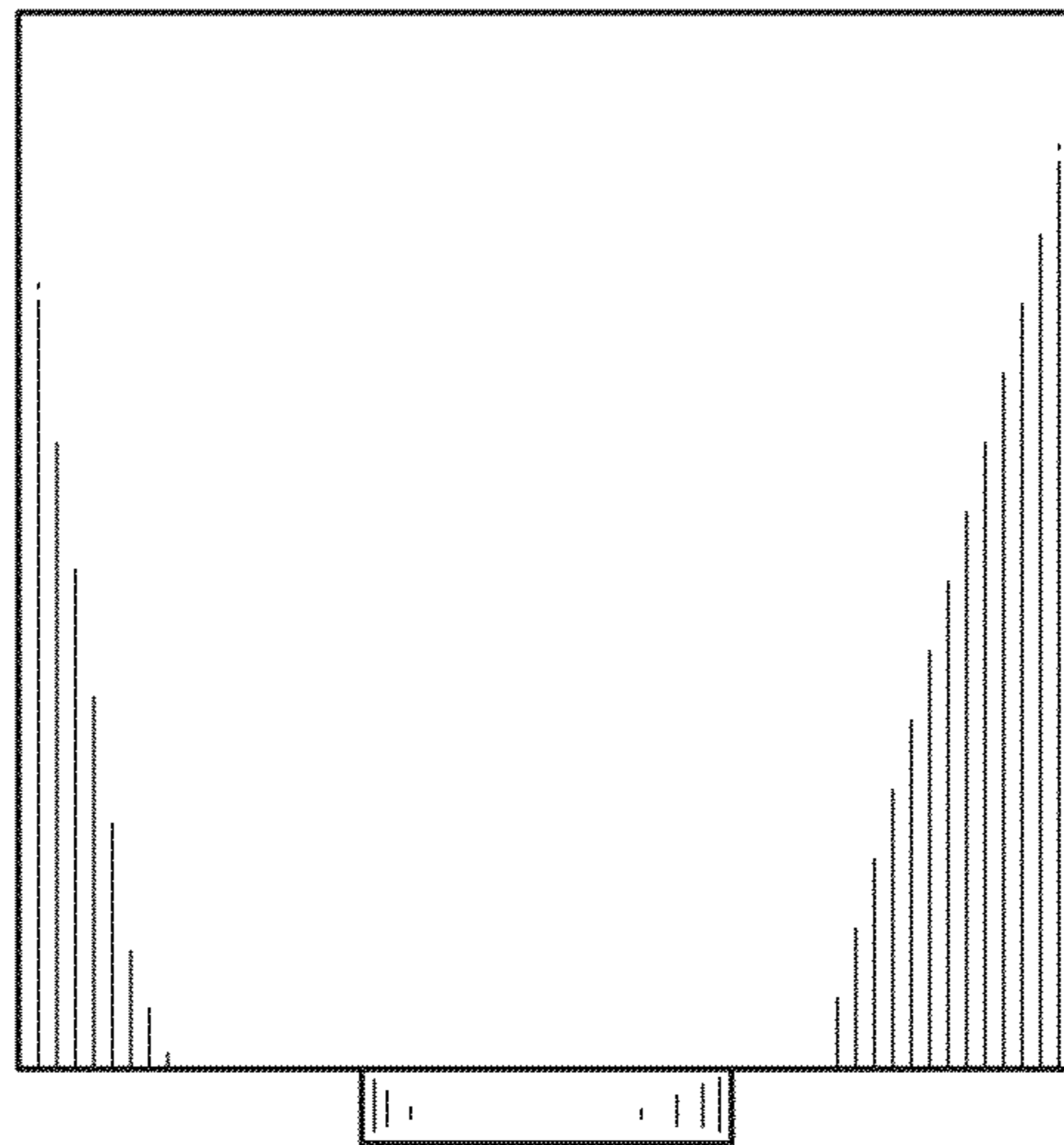


FIG. 31