

US00D683103S

(12) **United States Design Patent**
Liu

(10) **Patent No.:** **US D683,103 S**

(45) **Date of Patent:** **** May 21, 2013**

(54) **HAND TRUCK HANDLE**

(75) Inventor: **Zhi Jun Liu**, Jiaonan (CN)

(73) Assignee: **Qingdao Huatian Hand Truck Co., Ltd.**, Jiaonan, Qingdao (CN)

(**) Term: **14 Years**

(21) Appl. No.: **29/427,740**

(22) Filed: **Jul. 21, 2012**

(51) **LOC (9) Cl.** **12-02**

(52) **U.S. Cl.**
USPC **D34/27; D34/35**

(58) **Field of Classification Search** D34/12-27,
D34/34, 35; 280/43.12, 47.26, 628, 33.992,
280/651, 47.34, 79.2, 33.991, 33.995, 33.998;
180/89.12, 299, 325, 22, 224
See application file for complete search history.

(56) **References Cited**

U.S. PATENT DOCUMENTS

D376,238 S *	12/1996	Tsai	D34/26
D416,369 S *	11/1999	Johansson	D34/28
D419,741 S *	1/2000	Johansson	D34/28
D480,194 S *	9/2003	Tsai	D34/12

D488,279 S *	4/2004	Wu	D34/15
6,923,466 B2 *	8/2005	Tsai	280/646
D638,192 S *	5/2011	Hatcher et al.	D34/27
D640,031 S *	6/2011	Kretschmer	D34/34
D649,730 S *	11/2011	Walter	D34/14
2009/0284032 A1 *	11/2009	Nicol	294/26

* cited by examiner

Primary Examiner — Cynthia Ramirez

(74) *Attorney, Agent, or Firm* — Hani Z. Sayed; Rutan & Tucker, LLP

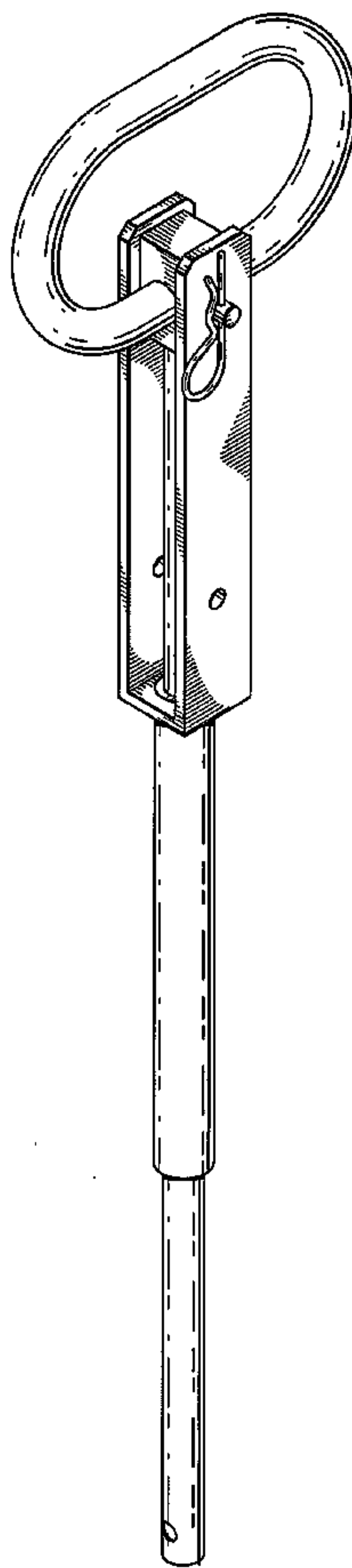
(57) **CLAIM**

The ornamental design for hand truck handle, as shown and described.

DESCRIPTION

FIG. 1 is a top, front, left side perspective view of a hand truck handle showing my new design;
FIG. 2 is a front elevation view thereof;
FIG. 3 is a right side elevation view thereof;
FIG. 4 is a left side elevation view thereof;
FIG. 5 is a rear elevation view thereof;
FIG. 6 is a top plan view thereof; and,
FIG. 7 is a bottom plan view thereof.

1 Claim, 3 Drawing Sheets



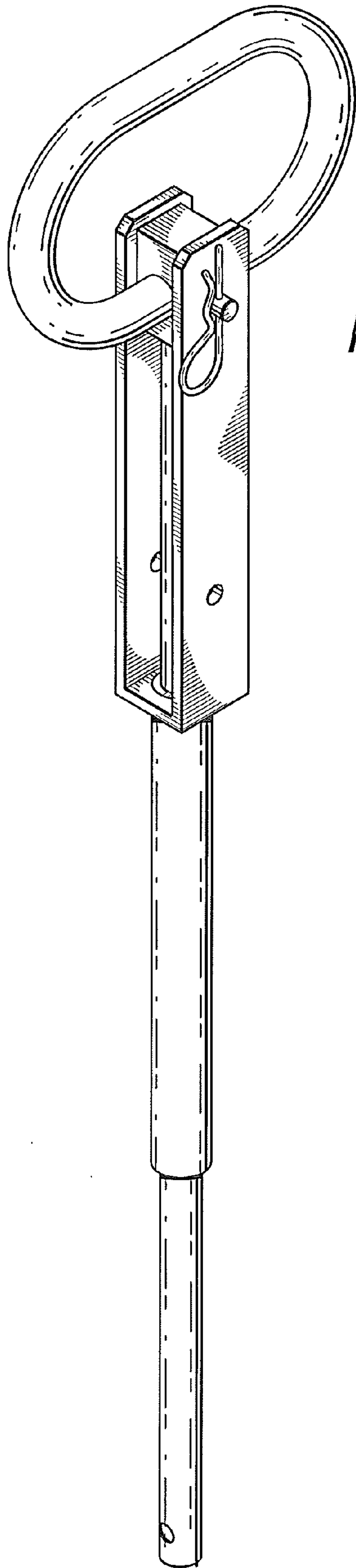


FIG. 1

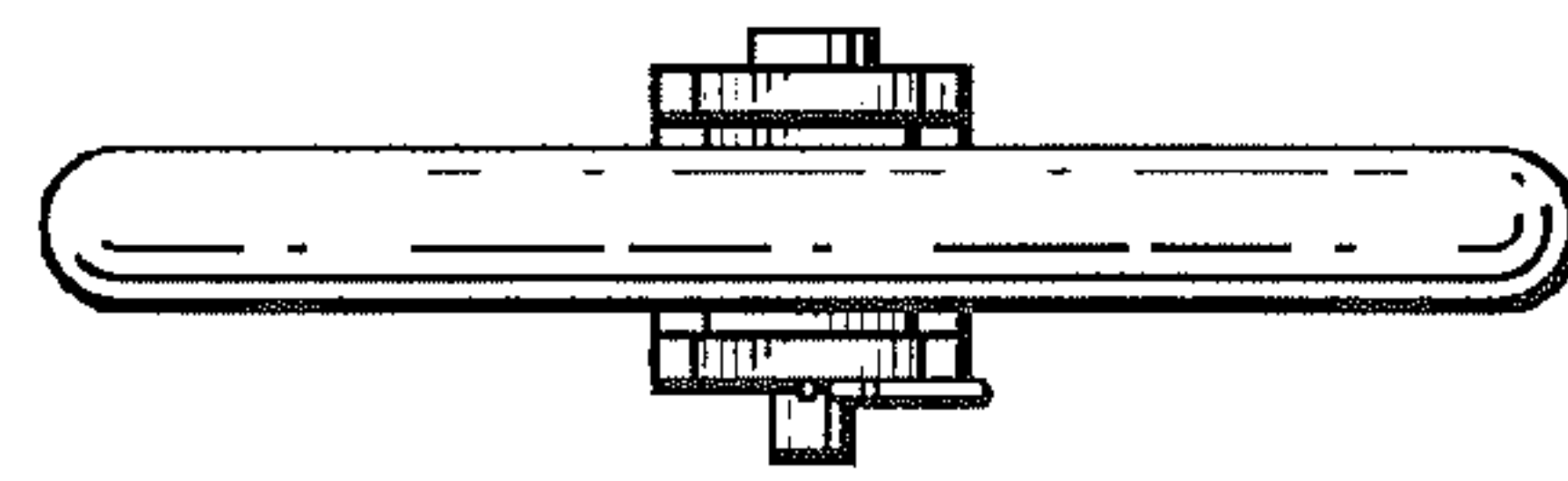


FIG. 6

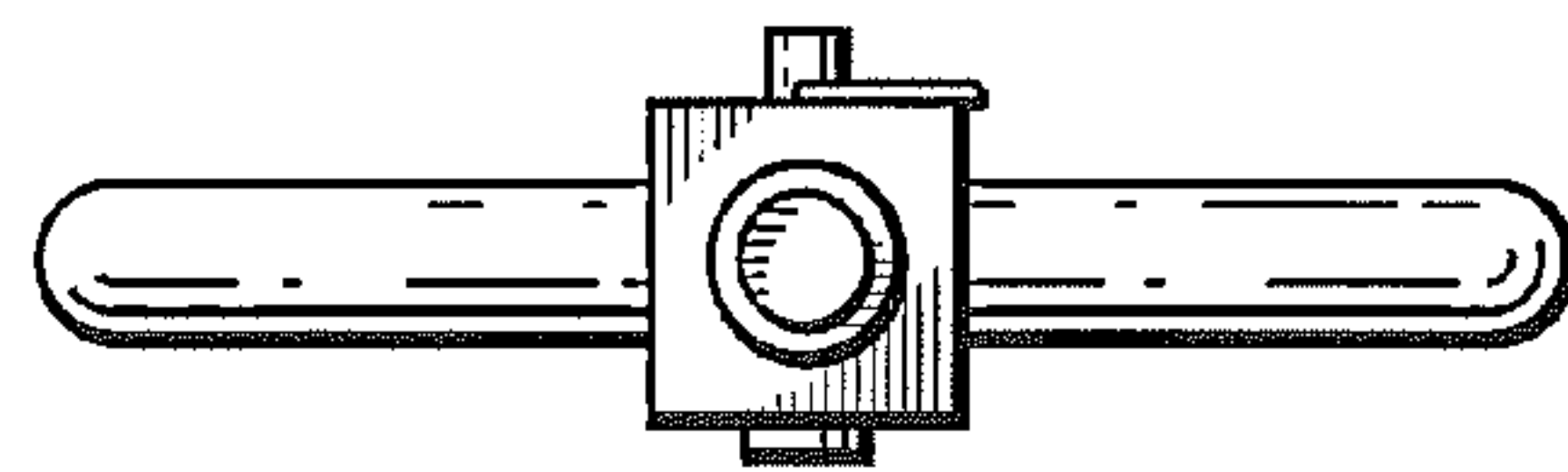


FIG. 7

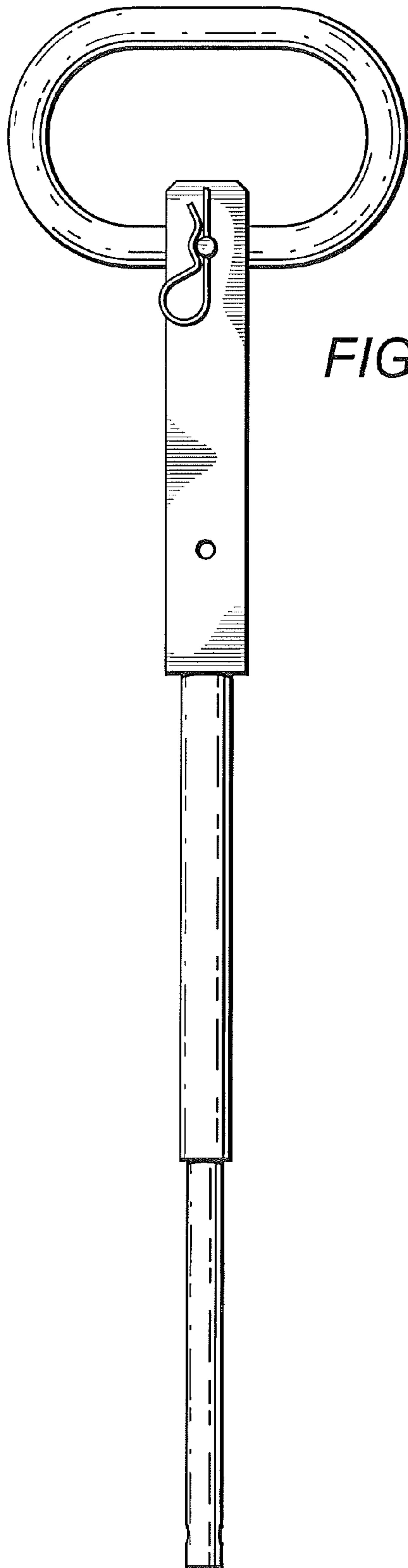


FIG. 2



FIG. 3

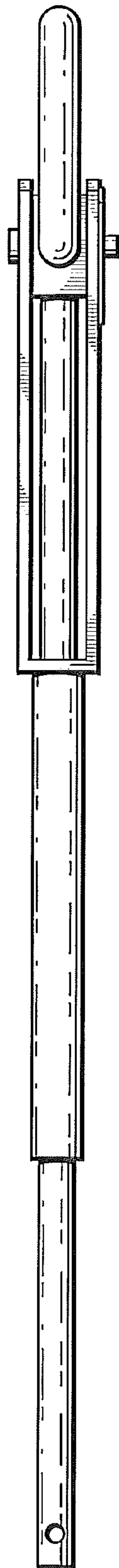


FIG. 4

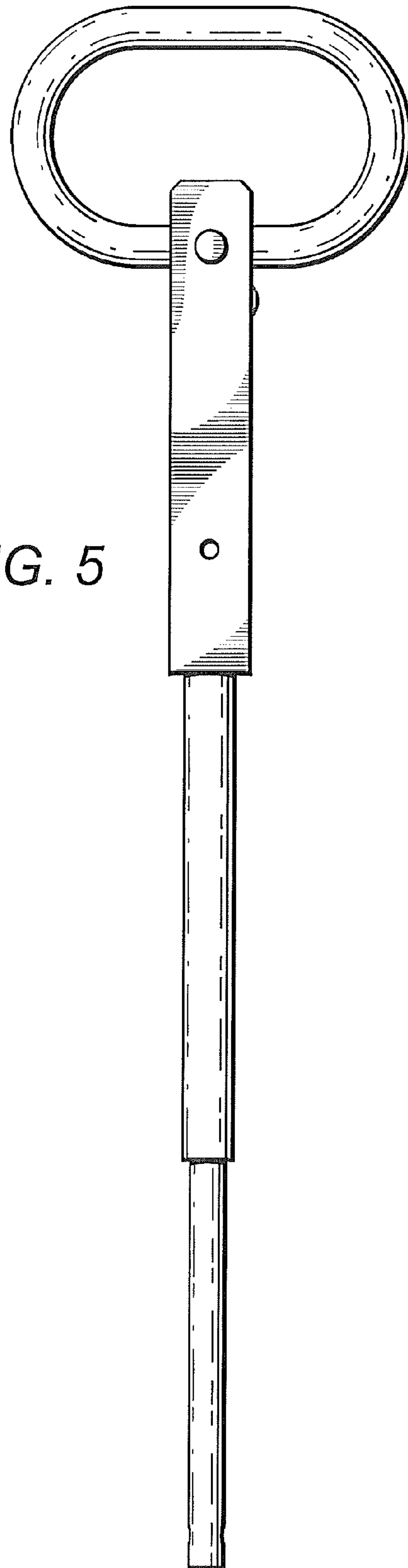


FIG. 5