



US00D683101S

(12) **United States Design Patent**
Wojdyla-Gray et al.

(10) **Patent No.:** **US D683,101 S**

(45) **Date of Patent:** **** May 21, 2013**

(54) **VIDEO CART**

(76) Inventors: **Kelly Ann Wojdyla-Gray**, Sterling Heights, MI (US); **Scott Burns**, St. Louis, MO (US)

(**) Term: **14 Years**

(21) Appl. No.: **29/426,386**

(22) Filed: **Jul. 5, 2012**

(51) **LOC (9) Cl.** **12-02**

(52) **U.S. Cl.**
USPC **D34/14**

(58) **Field of Classification Search** D34/12-27;
280/47.35, 79.2, 33.997; 312/257.1, 223,
312/107

See application file for complete search history.

(56) **References Cited**

U.S. PATENT DOCUMENTS

D296,143	S	6/1988	Bettess
4,864,334	A	9/1989	Ellis
D361,419	S	8/1995	Snell
6,315,308	B1	11/2001	Miles

7,226,174	B2	6/2007	Rodems	
7,401,796	B1 *	7/2008	Greco	280/47.35
7,791,866	B2	9/2010	Clark et al.	
D626,354	S	11/2010	Lau et al.	
8,210,548	B1 *	7/2012	Agyemang	280/47.35
2003/0155731	A1 *	8/2003	Ditges et al.	280/47.35
2005/0017468	A1 *	1/2005	Gallant et al.	280/47.35
2007/0228680	A1 *	10/2007	Reppert et al.	280/47.35
2008/0179847	A1 *	7/2008	DeFrancia	280/47.26
2009/0212518	A1 *	8/2009	Bustle et al.	280/47.35
2011/0025007	A1 *	2/2011	Butler et al.	280/47.35

* cited by examiner

Primary Examiner — Cynthia Ramirez

(74) *Attorney, Agent, or Firm* — Oakland Law Group, PLLC

(57) **CLAIM**

The ornamental design for a video cart, as shown.

DESCRIPTION

FIG. 1 is a perspective front view of a video cart showing our new design;

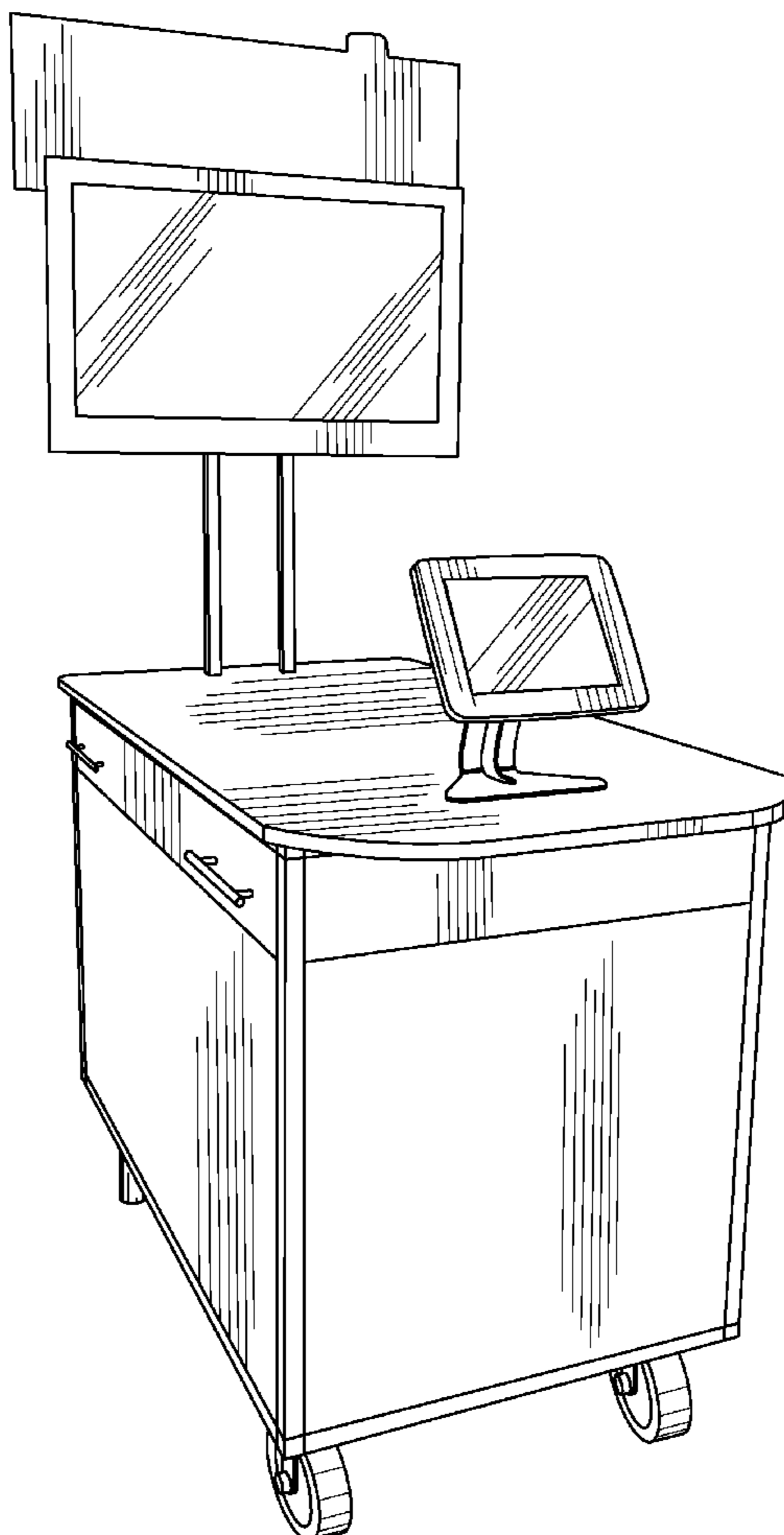
FIG. 2 is a front view thereof;

FIG. 3 is a right side view thereof;

FIG. 4 is a rear side view thereof; and,

FIG. 5 is a left view thereof.

1 Claim, 5 Drawing Sheets



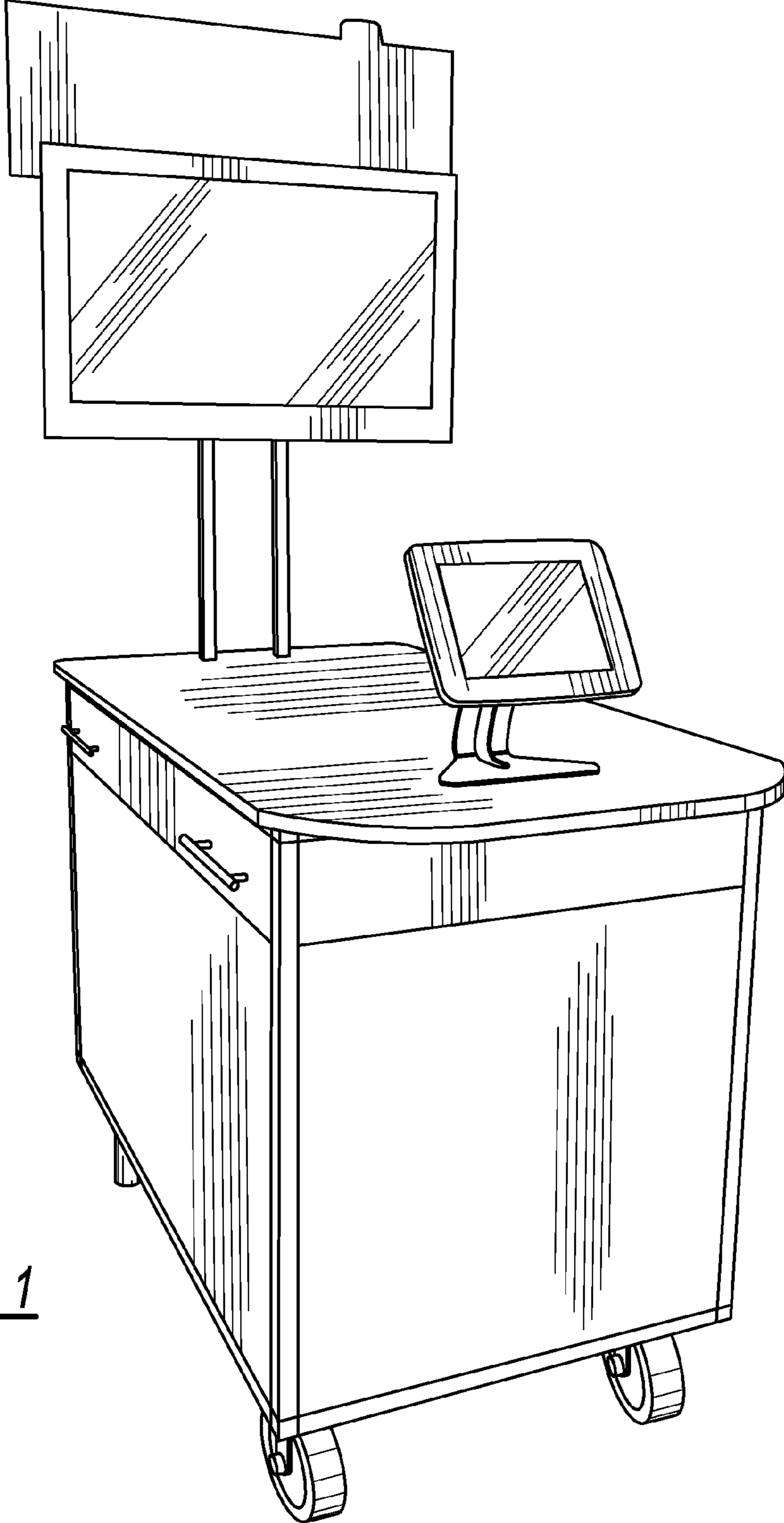


FIG - 1

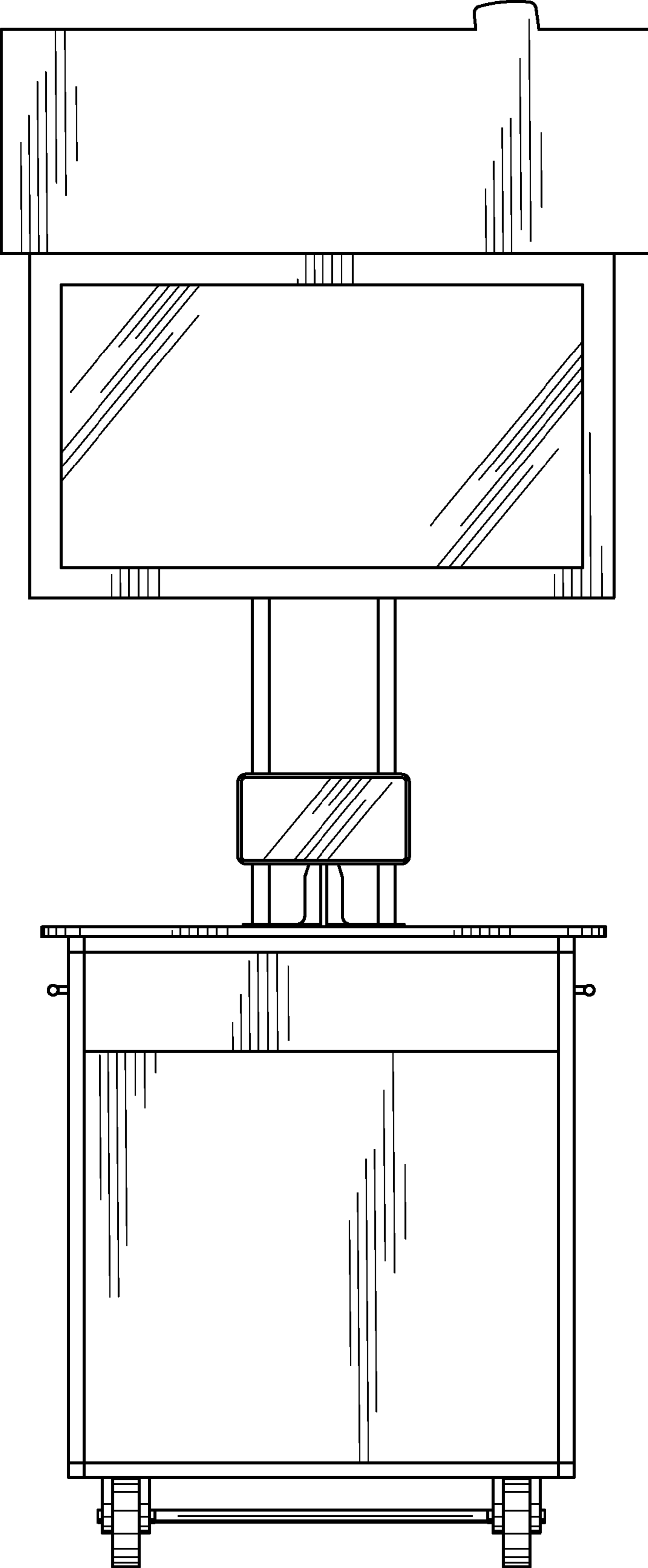
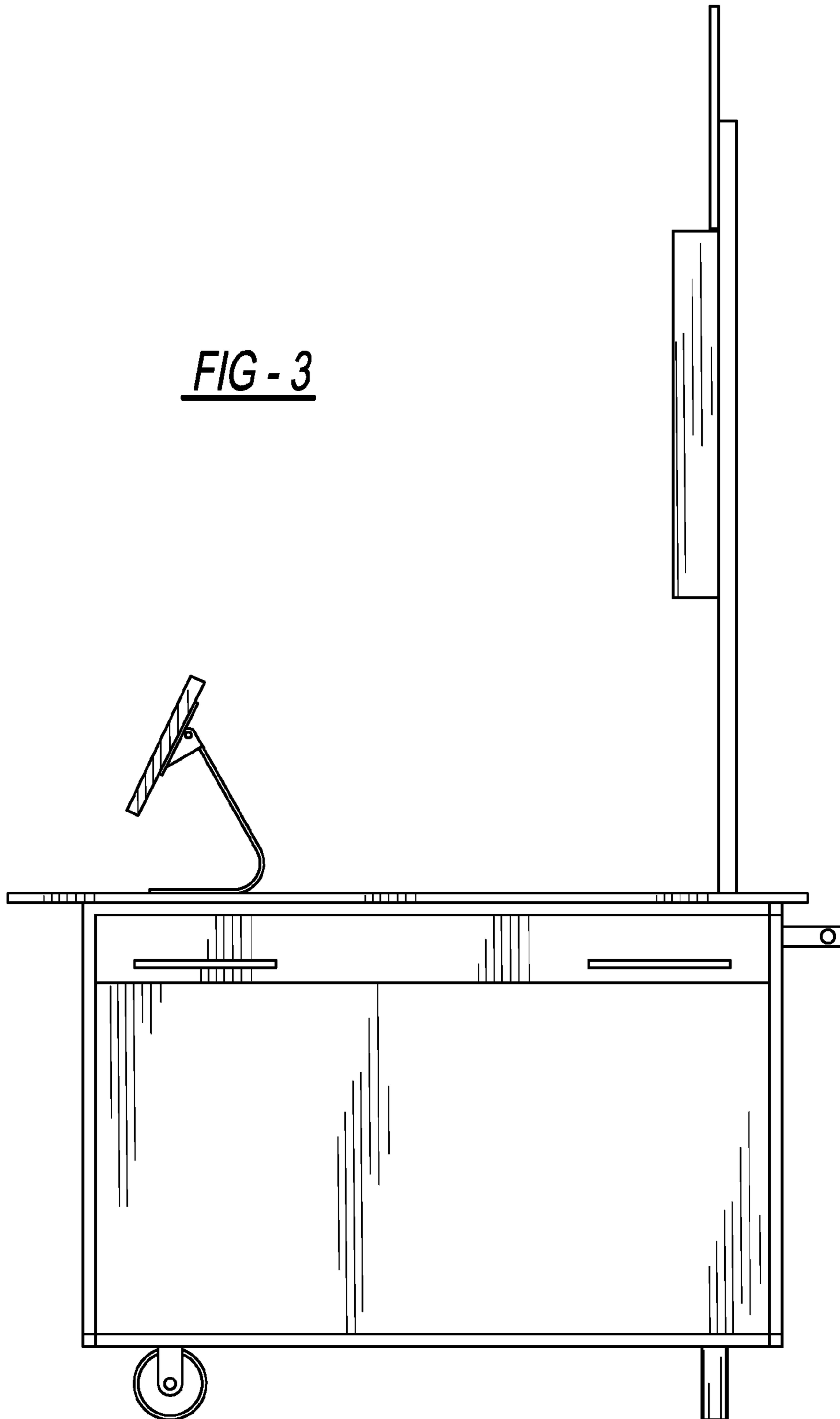


FIG - 2

FIG - 3



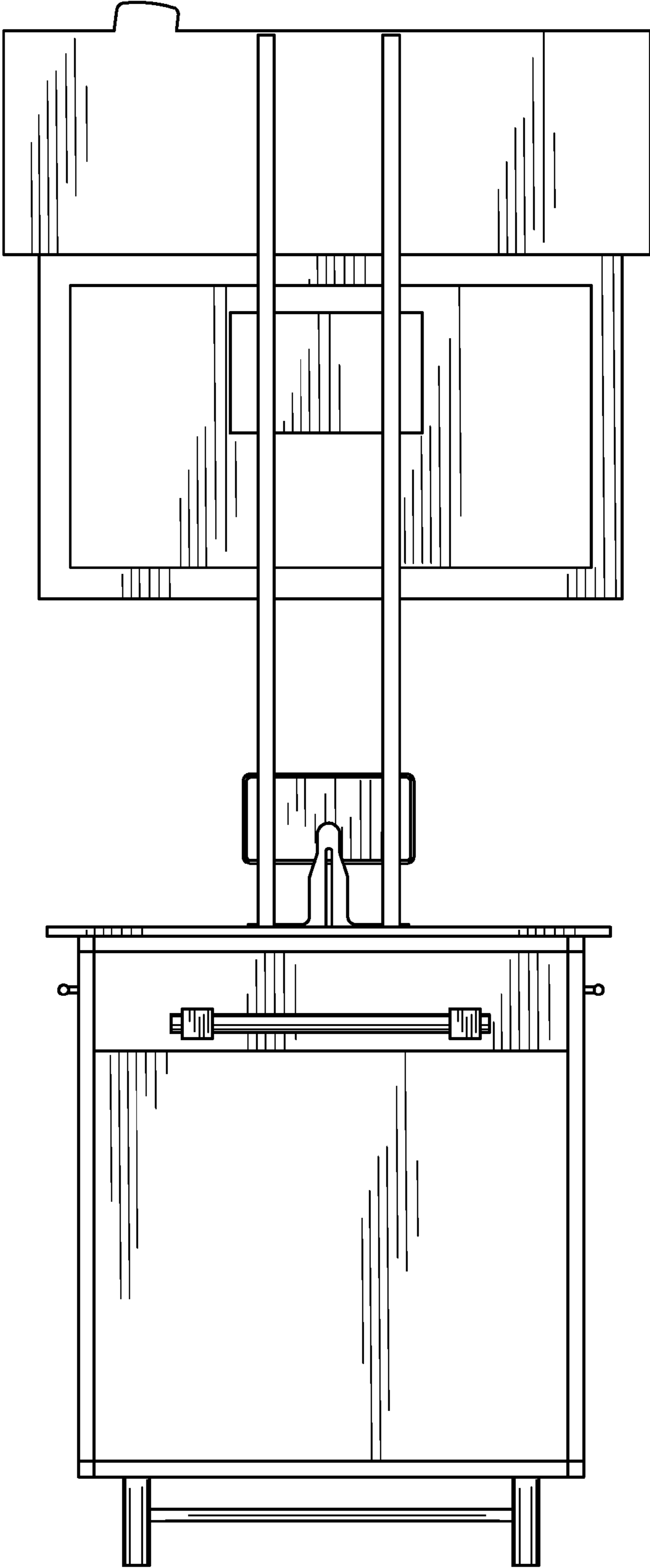


FIG - 4

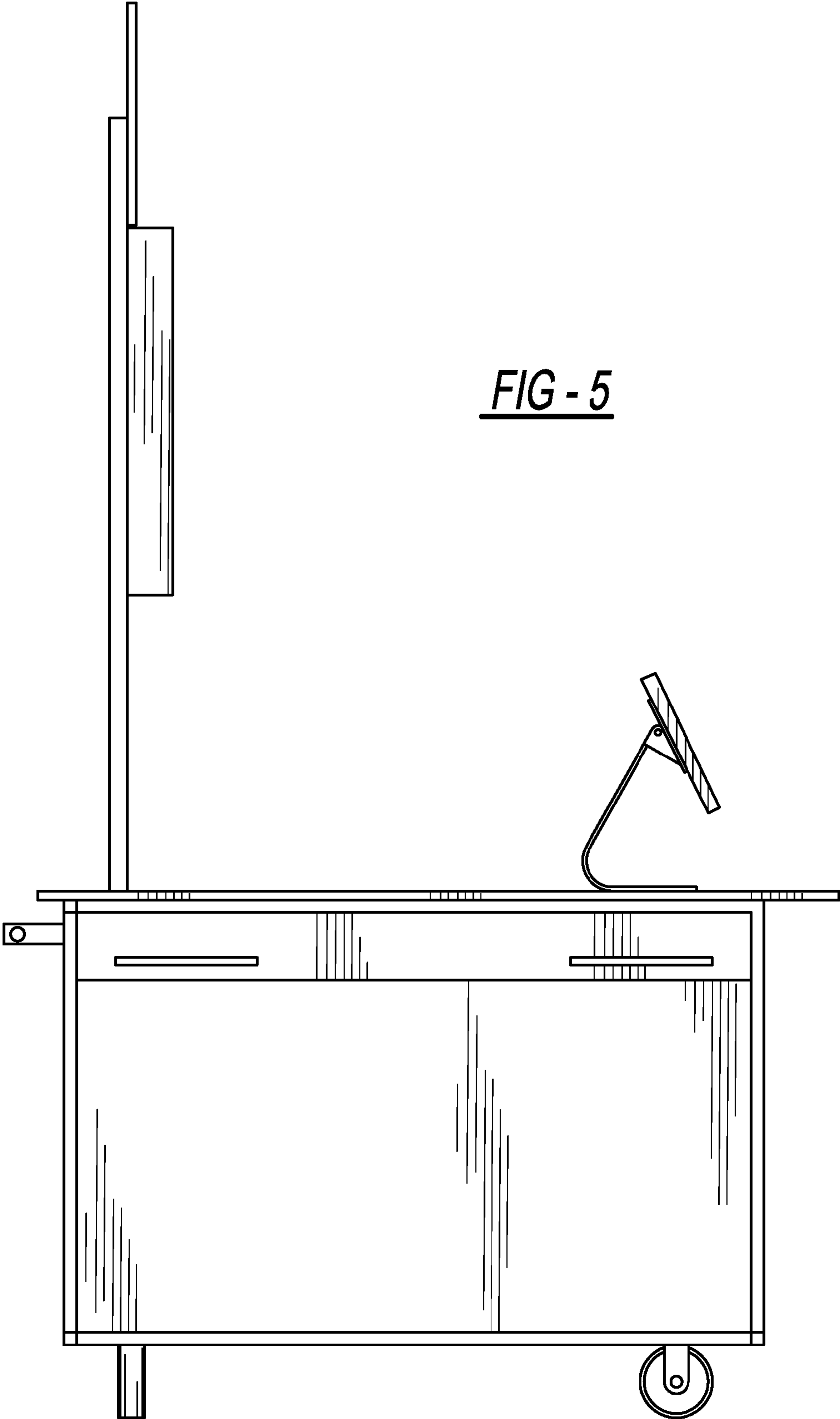


FIG - 5