



US00D683100S

(12) **United States Design Patent**
Wright et al.

(10) **Patent No.:** **US D683,100 S**
(45) **Date of Patent:** **** May 21, 2013**

(54) **WHEEL HUB**

(75) Inventors: **Todd E. Wright**, Statesville, NC (US);
Smith E. Trent, III, Statesville, NC
(US)

(73) Assignee: **Toter, LLC**, Charlotte, NC (US)

(**) Term: **14 Years**

(21) Appl. No.: **29/408,278**

(22) Filed: **Dec. 9, 2011**

(51) **LOC (9) Cl.** **09-09**

(52) **U.S. Cl.**
USPC **D34/10**

(58) **Field of Classification Search** D34/10,
D34/27; 301/121, 119, 122, 111.04, 64.704,
301/111.03, 111.01

See application file for complete search history.

(56) **References Cited**

U.S. PATENT DOCUMENTS

| | | | |
|-------------|---------|-----------------|---------|
| 882,441 A * | 3/1908 | Wilson | 301/119 |
| 996,190 A * | 6/1911 | Woodbury et al. | 301/121 |
| 5,088,750 A | 2/1992 | Beese et al. | |
| D325,011 S | 3/1992 | Markling | |
| 5,104,198 A | 4/1992 | Prout et al. | |
| D326,837 S | 6/1992 | Hulterstrum | |
| D327,048 S | 6/1992 | Markling et al. | |
| D328,048 S | 7/1992 | Markling | |
| D328,053 S | 7/1992 | Markling | |
| 5,316,377 A | 5/1994 | Markling et al. | |
| D351,394 S | 10/1994 | Morris | |
| D352,687 S | 11/1994 | Markling | |
| 5,368,371 A | 11/1994 | Markling | |
| 5,518,682 A | 5/1996 | Markling et al. | |
| D375,878 S | 11/1996 | Morris | |

| | | | |
|---------------|---------|---------------|------------|
| 5,716,107 A | 2/1998 | Parker et al. | |
| 5,816,591 A | 10/1998 | Parker et al. | |
| 5,863,489 A | 1/1999 | Flood et al. | |
| 5,899,468 A | 5/1999 | Apps et al. | |
| 5,902,018 A * | 5/1999 | Owen et al. | 301/111.04 |
| 5,902,527 A | 5/1999 | Flood | |

(Continued)

Primary Examiner — Cynthia Ramirez

(74) *Attorney, Agent, or Firm* — Calfee, Halter & Griswold LLP

(57) **CLAIM**

The ornamental design for a wheel hub, as shown and described.

DESCRIPTION

FIG. 1 is a perspective view of a first embodiment of a wheel hub of the new design;

FIG. 2 is a front elevational view of the wheel hub of FIG. 1; FIG. 3 is a rear elevational view of the wheel hub of FIG. 1; FIG. 4 is a right elevational view of the wheel hub of FIG. 1; FIG. 5 is a left elevational view of the wheel hub of FIG. 1; FIG. 6 is a top plan view of the wheel hub of FIG. 1, the bottom plan view being a mirror image thereof;

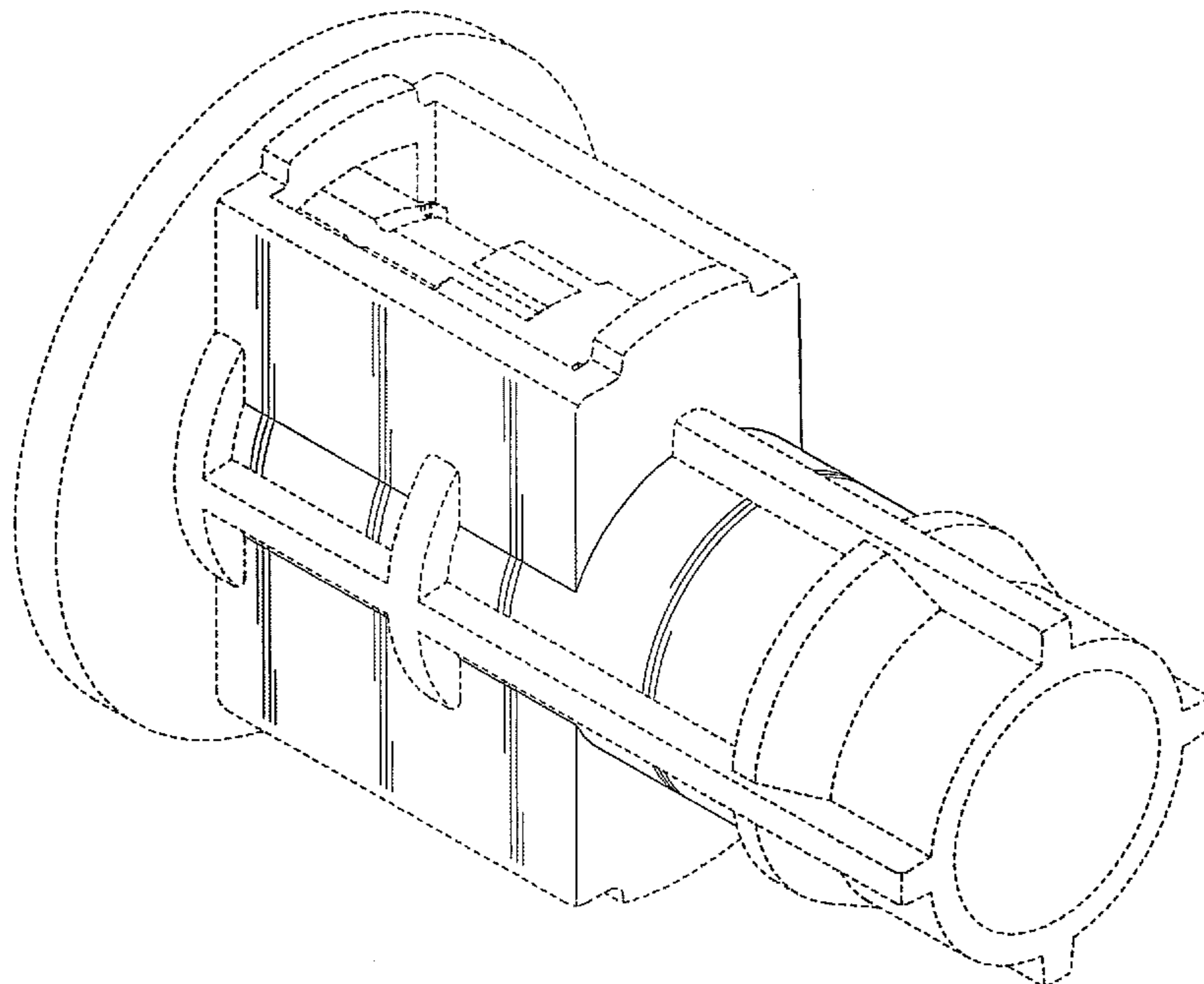
FIG. 7 is a perspective view of a second embodiment of a wheel hub of the new design; and

FIG. 8 is a front elevational view of the wheel hub of FIG. 7; FIG. 9 is a rear elevational view of the wheel hub of FIG. 7; FIG. 10 is a right elevational view of the wheel hub of FIG. 7; FIG. 11 is a left elevational view of the wheel hub of FIG. 7; and,

FIG. 12 is a top plan view of the wheel hub of FIG. 1, the bottom plan view being a mirror image thereof.

The portions of the Figures shown in broken lines are not part of the claimed design and are for illustration only.

1 Claim, 6 Drawing Sheets



US D683,100 S

Page 2

U.S. PATENT DOCUMENTS

| | | | | | | | | |
|-----------|-----|---------|-------------------------|--------------|-----|---------|------------------------------|---------|
| 5,935,493 | A | 8/1999 | Flood et al. | 6,976,437 | B2 | 12/2005 | Fisch et al. | |
| 6,170,920 | B1 | 1/2001 | Markling | D520,367 | S | 5/2006 | Morris | |
| 6,276,557 | B1 | 8/2001 | Wysocki | 7,108,335 | B2 | 9/2006 | Morris | |
| 6,280,001 | B1 | 8/2001 | Parker et al. | 7,121,564 | B2 | 10/2006 | Hassell | |
| 6,328,320 | B1 | 12/2001 | Walski et al. | D542,003 | S | 5/2007 | Morris | |
| 6,361,121 | B1 | 3/2002 | Morris | 7,287,665 | B2 | 10/2007 | Meissen et al. | |
| 6,375,274 | B1 | 4/2002 | Morris | 7,290,775 | B2 | 11/2007 | Parker et al. | |
| 6,435,762 | B1 | 8/2002 | Markling | D570,070 | S | 5/2008 | Morris | |
| 6,464,305 | B2 | 10/2002 | Markling | 7,377,597 | B2 | 5/2008 | Morris | |
| D470,452 | S | 2/2003 | Flood et al. | 7,390,068 | B2* | 6/2008 | Smith et al. | 301/113 |
| 6,520,597 | B1 | 2/2003 | Markling | 7,481,498 | B1 | 1/2009 | Morris | |
| 6,561,593 | B2* | 5/2003 | Godwin 301/111.04 | D586,071 | S | 2/2009 | Morris | |
| 6,637,835 | B2 | 10/2003 | Morris | D586,072 | S | 2/2009 | Morris | |
| 6,886,893 | B1 | 5/2005 | Fisch et al. | 7,591,592 | B2 | 9/2009 | Beirne et al. | |
| 6,896,335 | B2 | 5/2005 | Markling | 8,147,005 | B2 | 4/2012 | Morris | |
| 6,910,742 | B2 | 6/2005 | Flood et al. | 2002/0038973 | A1* | 4/2002 | Godwin 301/111.04 | |
| 6,913,324 | B2 | 7/2005 | Markling | 2003/0117009 | A1* | 6/2003 | Flood et al. 301/111.01 | |
| 6,938,964 | B2 | 9/2005 | Flood et al. | 2004/0255828 | A1 | 12/2004 | Markling et al. | |
| 6,962,115 | B2 | 11/2005 | Markling et al. | 2008/0121582 | A1 | 5/2008 | Morris | |

* cited by examiner

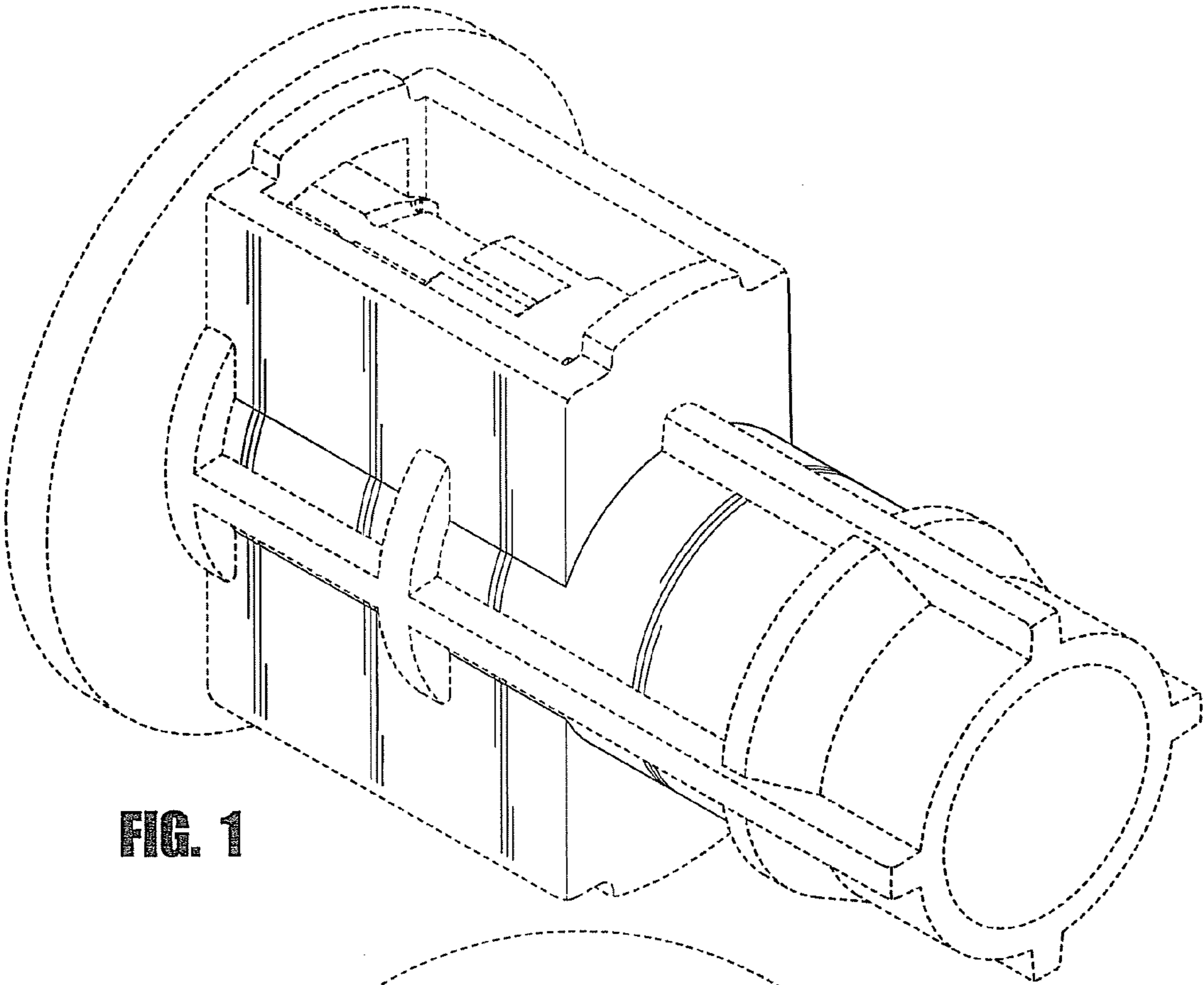


FIG. 1

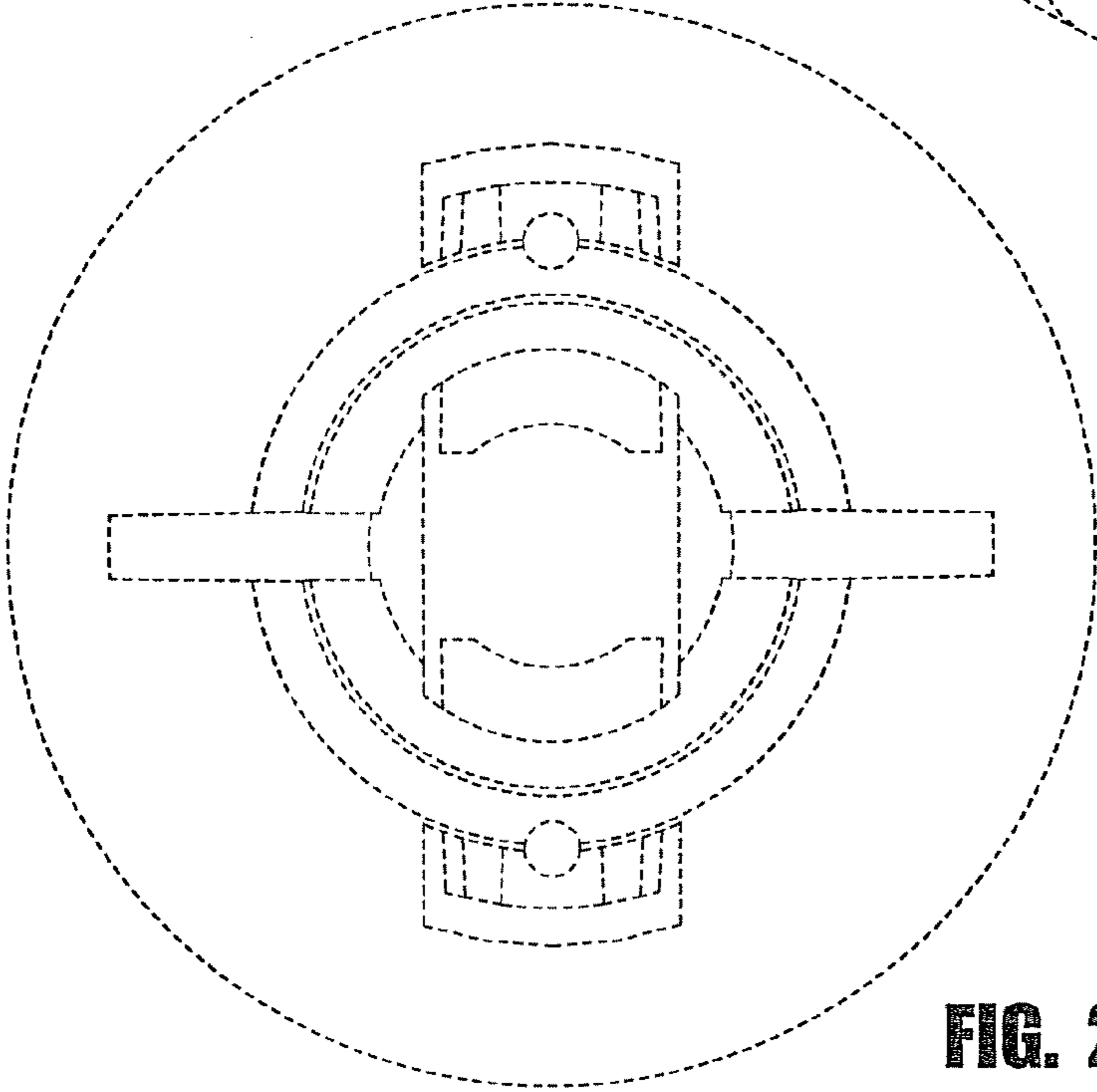


FIG. 2

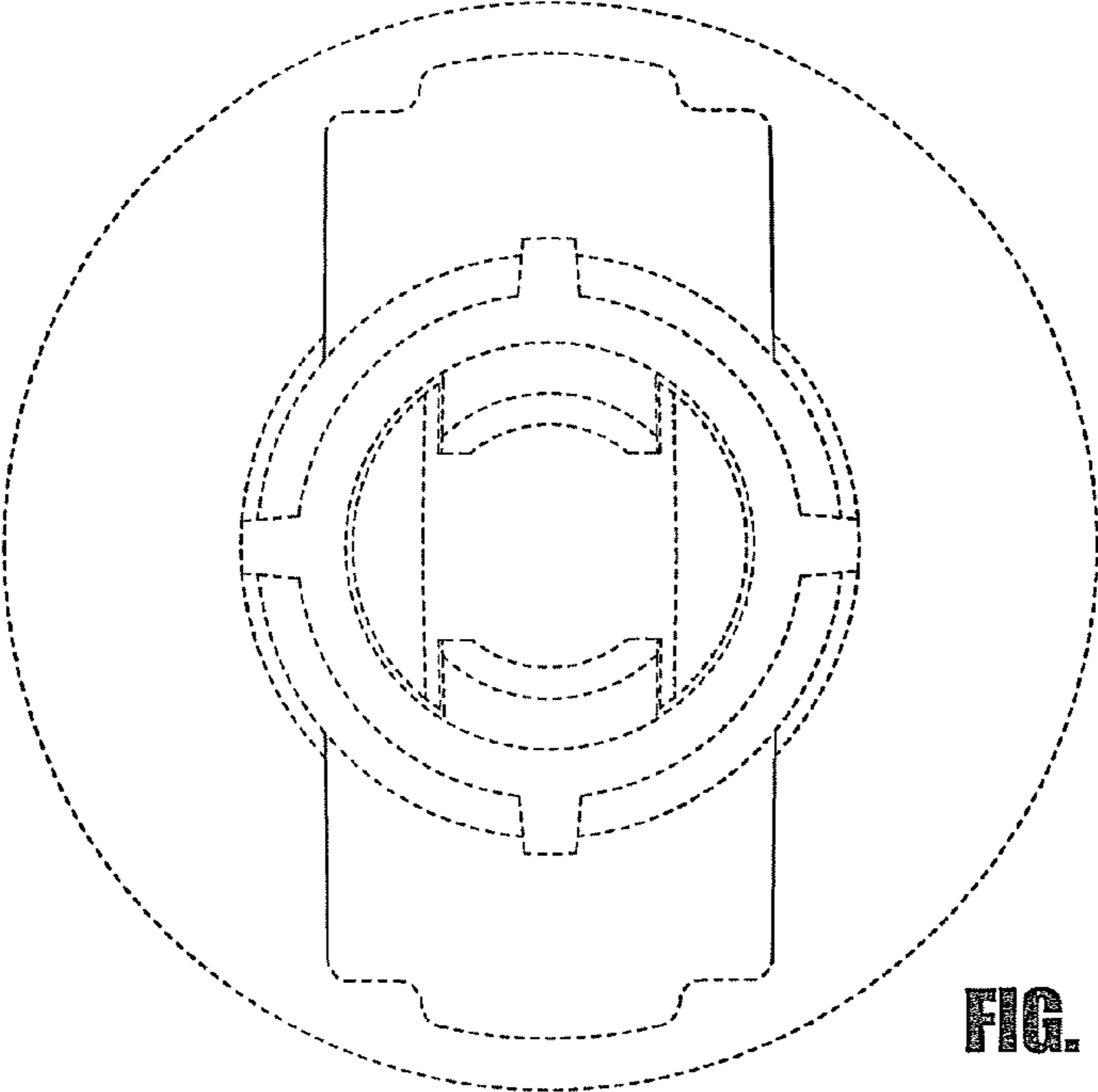


FIG. 3

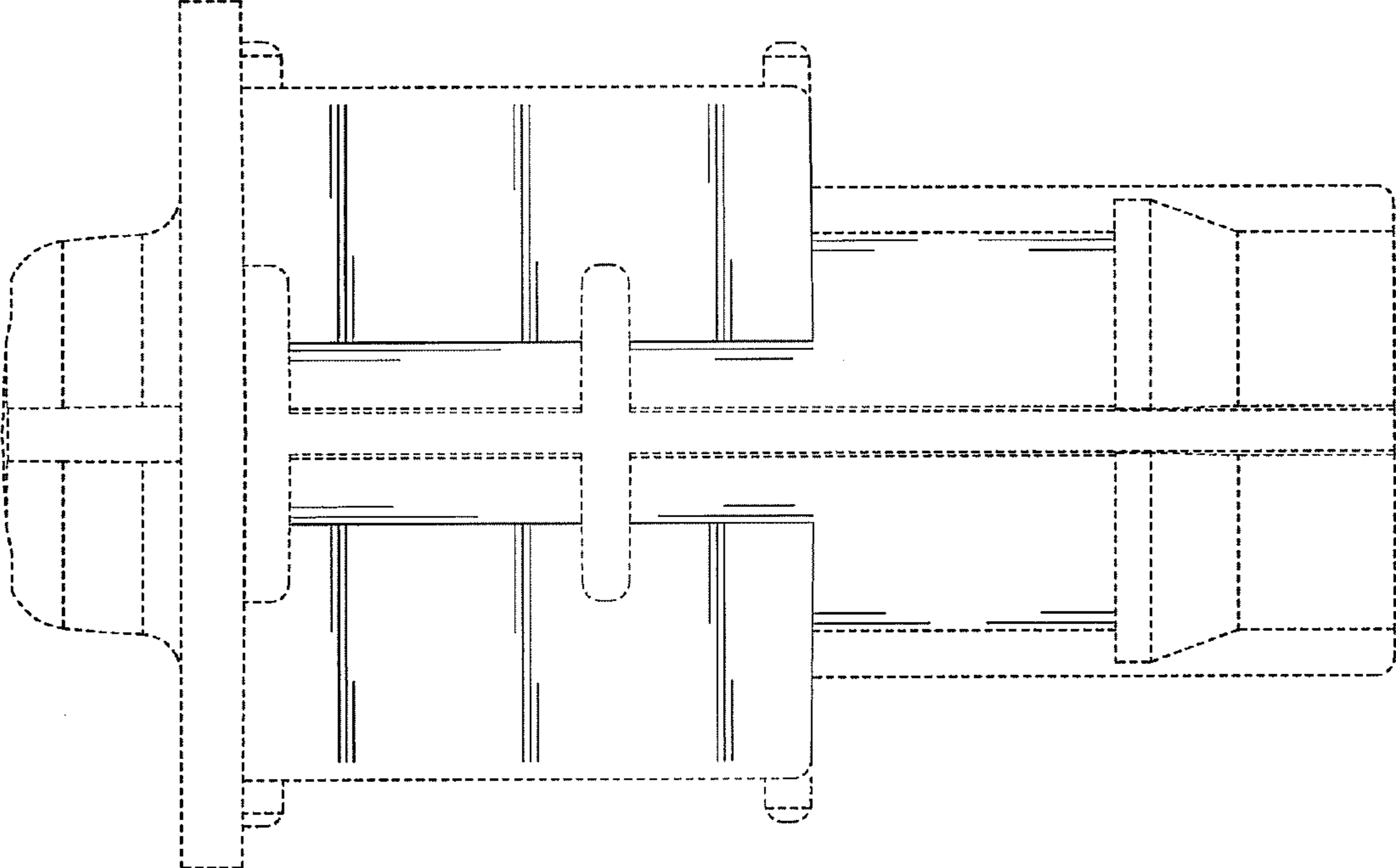


FIG. 4

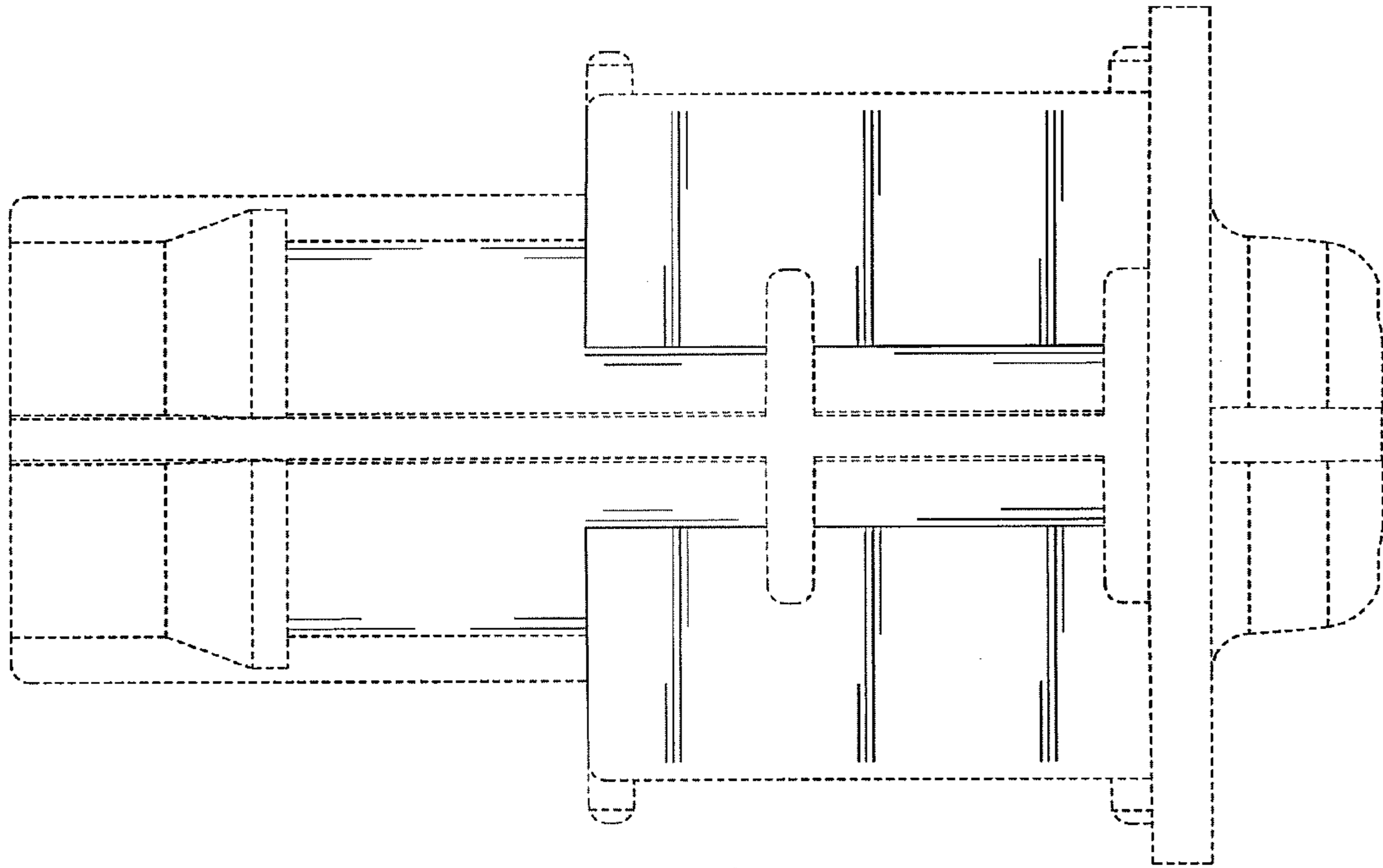


FIG. 5

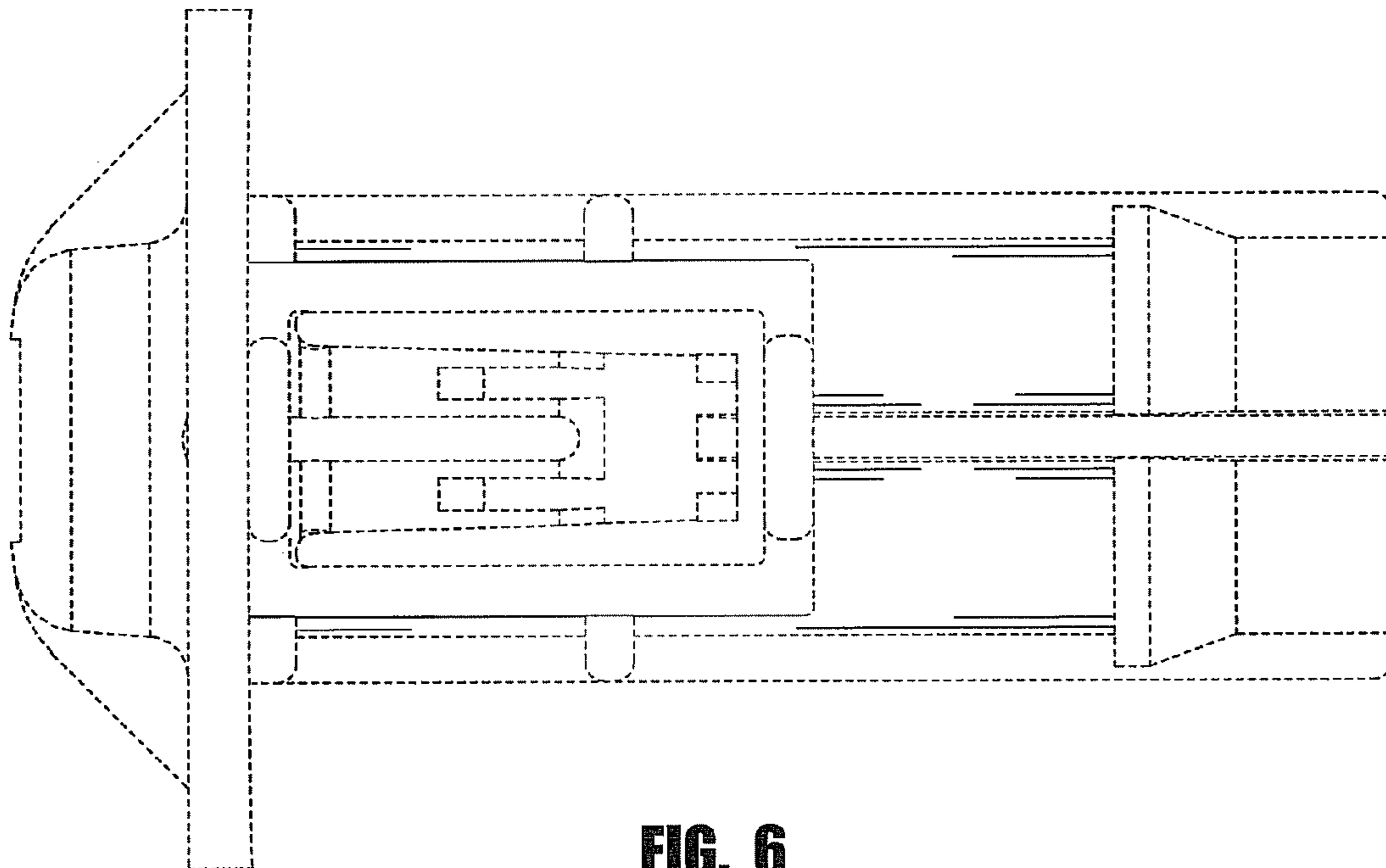


FIG. 6

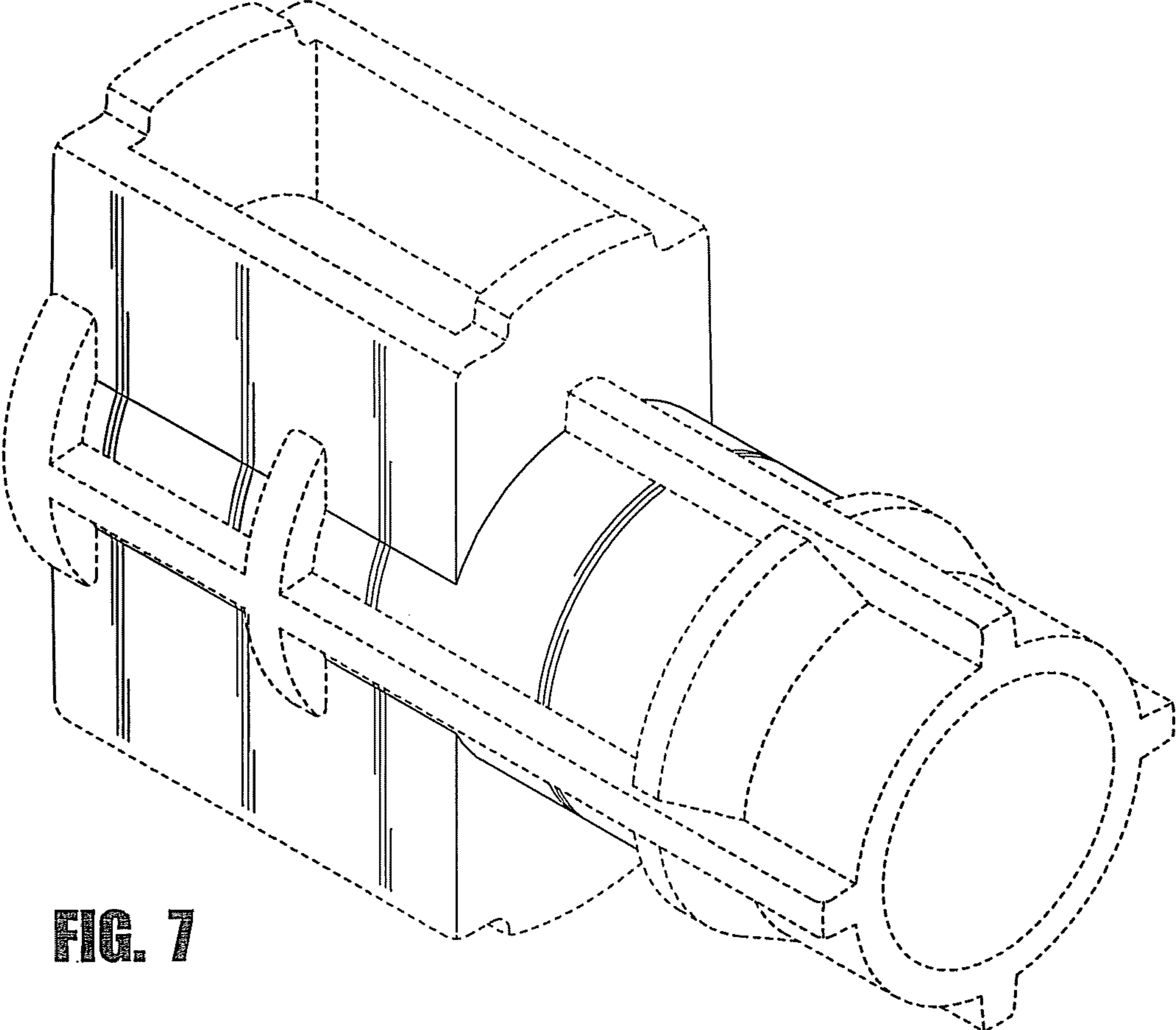


FIG. 7

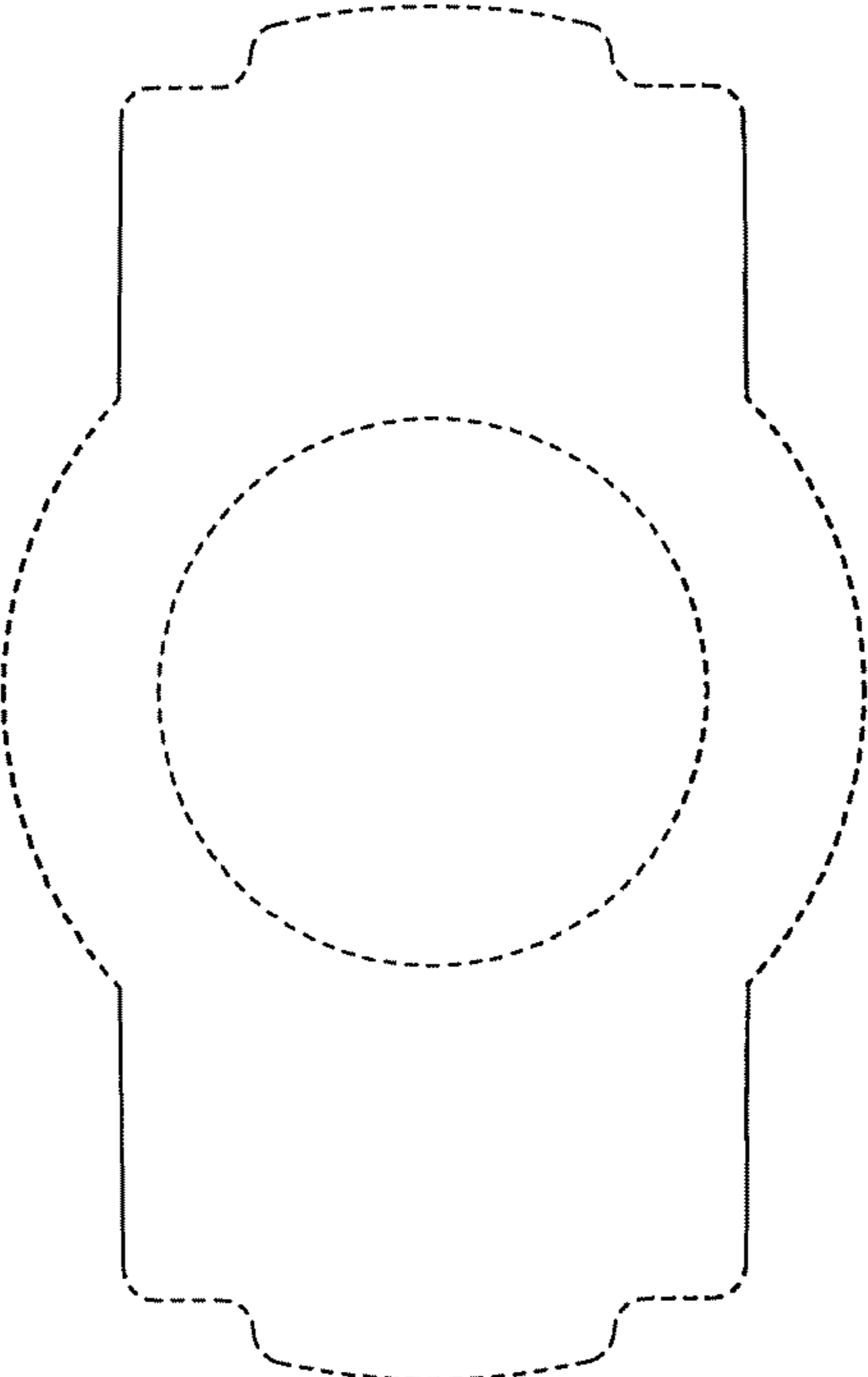


FIG. 8

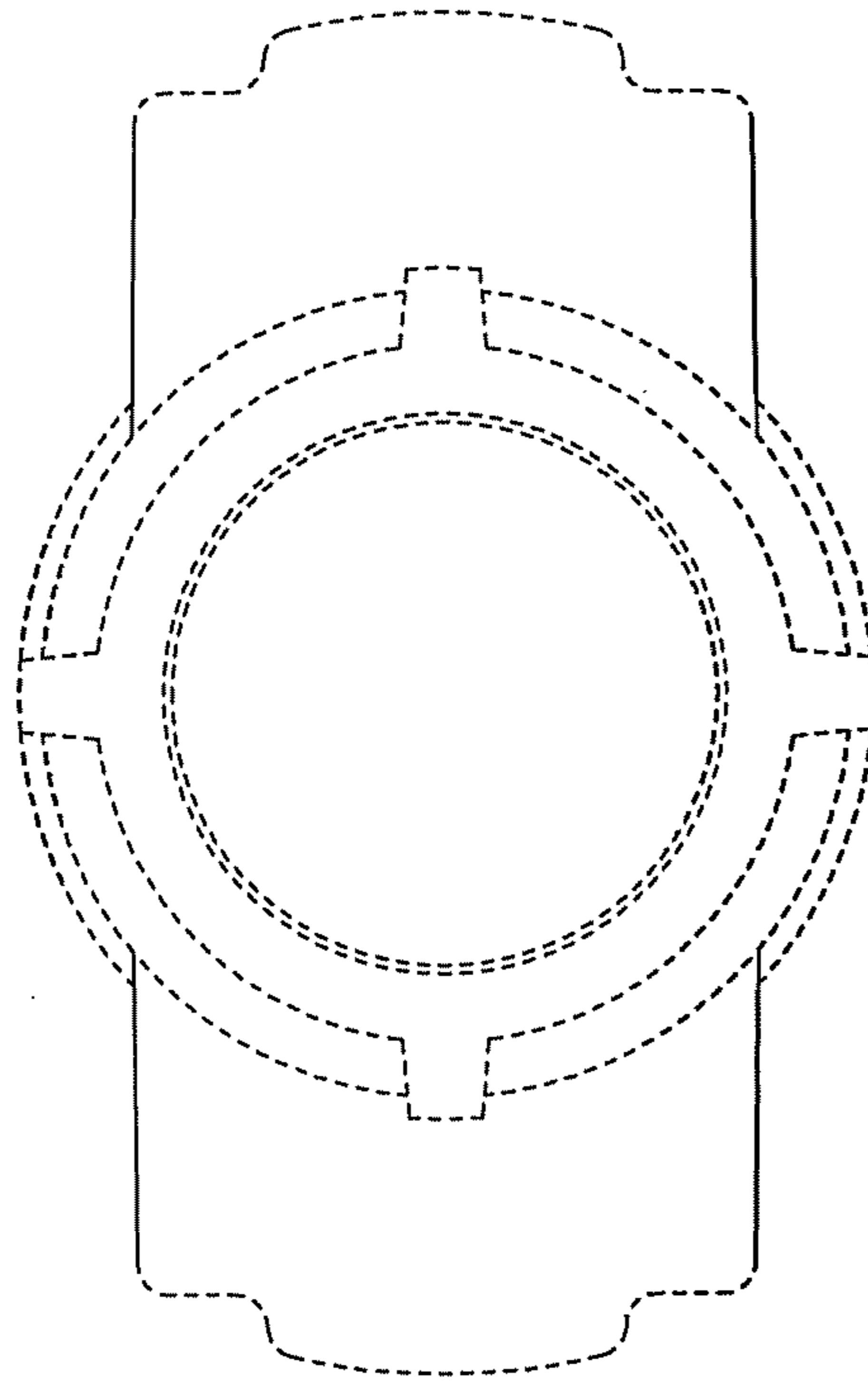


FIG. 9

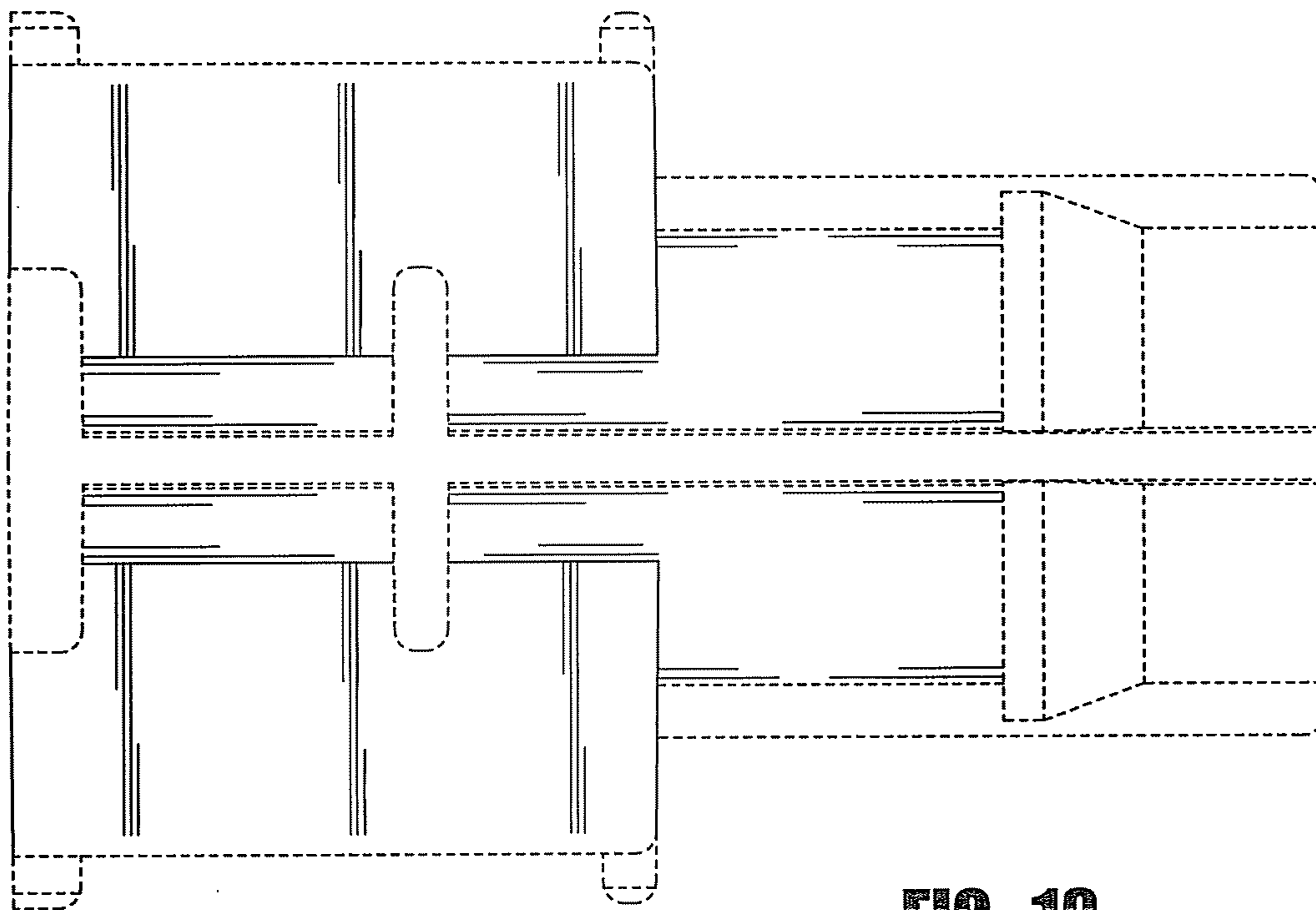


FIG. 10

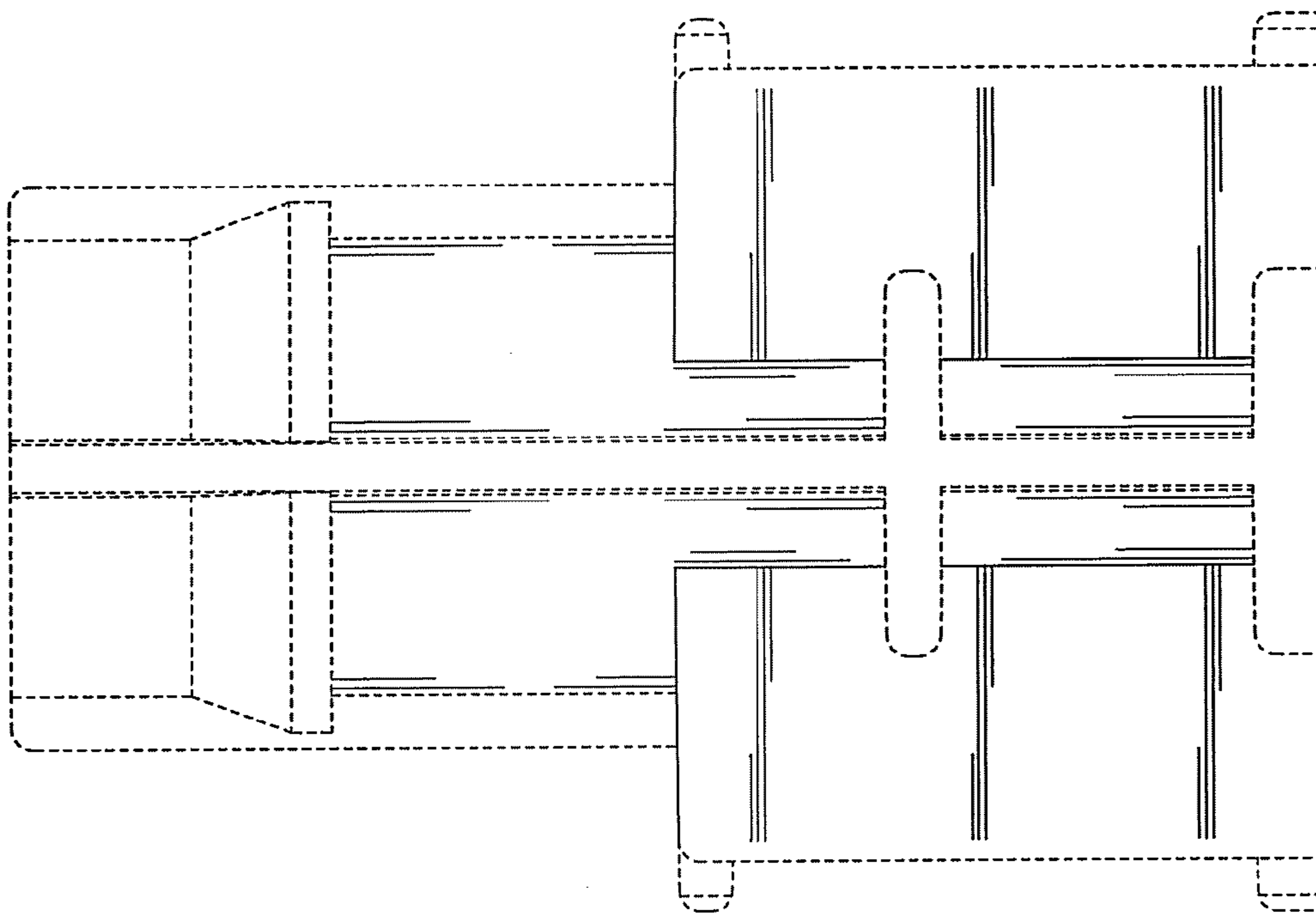


FIG. 11

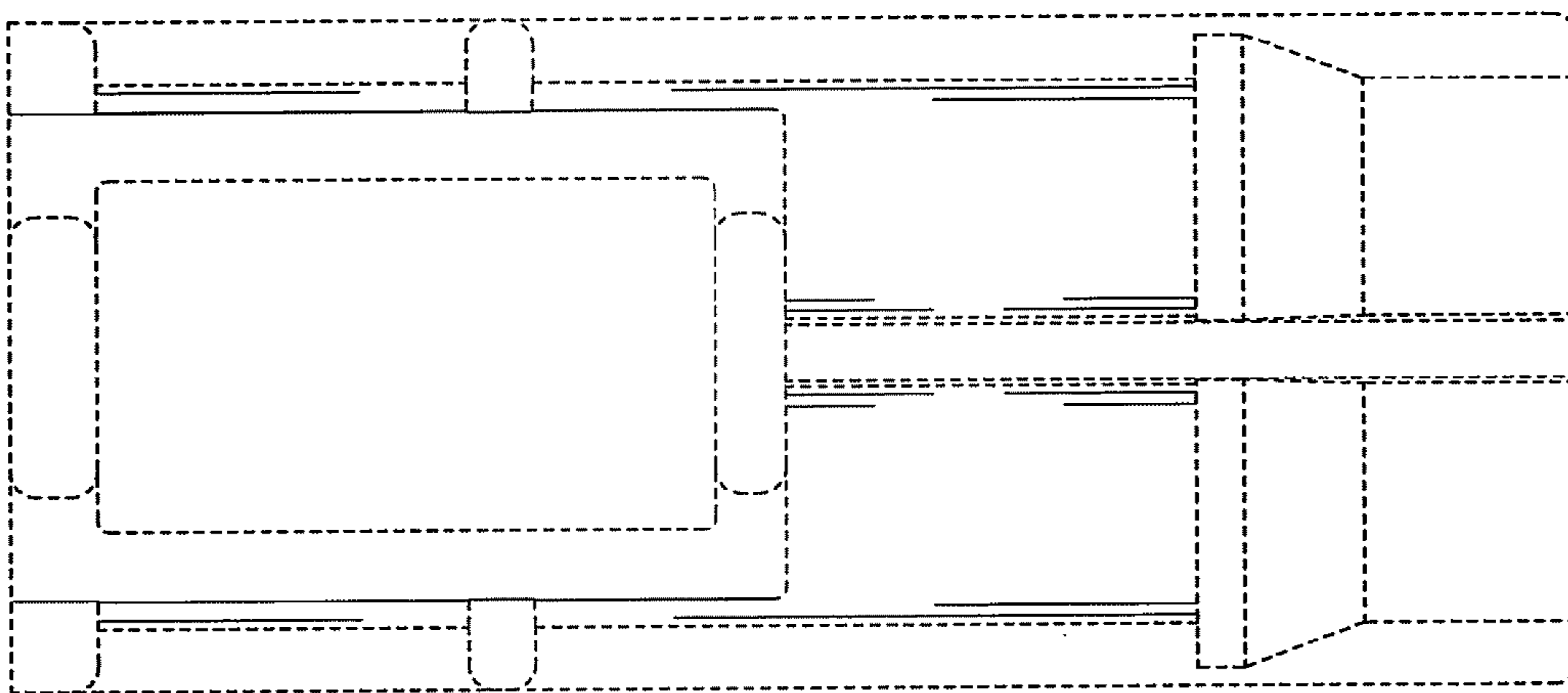


FIG. 12