



US00D683099S

(12) **United States Design Patent**
Wright et al.

(10) **Patent No.:** **US D683,099 S**
(45) **Date of Patent:** **** May 21, 2013**

- (54) **WHEEL**
- (75) Inventors: **Todd E. Wright**, Statesville, NC (US);
Smith E. Trent, III, Statesville, NC (US)
- (73) Assignee: **Toter, LLC**, Charlotte, NC (US)
- (**) Term: **14 Years**
- (21) Appl. No.: **29/408,277**
- (22) Filed: **Dec. 9, 2011**
- (51) **LOC (9) Cl.** **09-09**
- (52) **U.S. Cl.**
USPC **D34/10**
- (58) **Field of Classification Search** D34/10,
D34/27; D12/211, 204, 205, 501, 209, 88,
D12/135; 280/282, 47.31, 87.042, DIG. 6,
280/47.26; 188/218 XL; 301/111.01, 105.1,
301/121, 119, 122, 111.04, 64, 704, 111.03
See application file for complete search history.

- D352,687 S 11/1994 Markling
- 5,368,371 A 11/1994 Markling
- 5,518,682 A 5/1996 Markling et al.
- D375,878 S 11/1996 Morris
- 5,716,107 A 2/1998 Parker et al.
- 5,816,591 A 10/1998 Parker et al.
- 5,863,489 A 1/1999 Flood et al.
- 5,899,468 A 5/1999 Apps et al.
- 5,902,527 A 5/1999 Flood
- 5,935,493 A 8/1999 Flood et al.
- 6,170,920 B1 1/2001 Markling
- 6,276,557 B1 8/2001 Wysocki
- 6,280,001 B1 8/2001 Parker et al.

(Continued)

Primary Examiner — Cynthia Ramirez

(74) *Attorney, Agent, or Firm* — Calfee, Halter & Griswold LLP

(57) **CLAIM**
The ornamental design for a wheel, as shown and described.

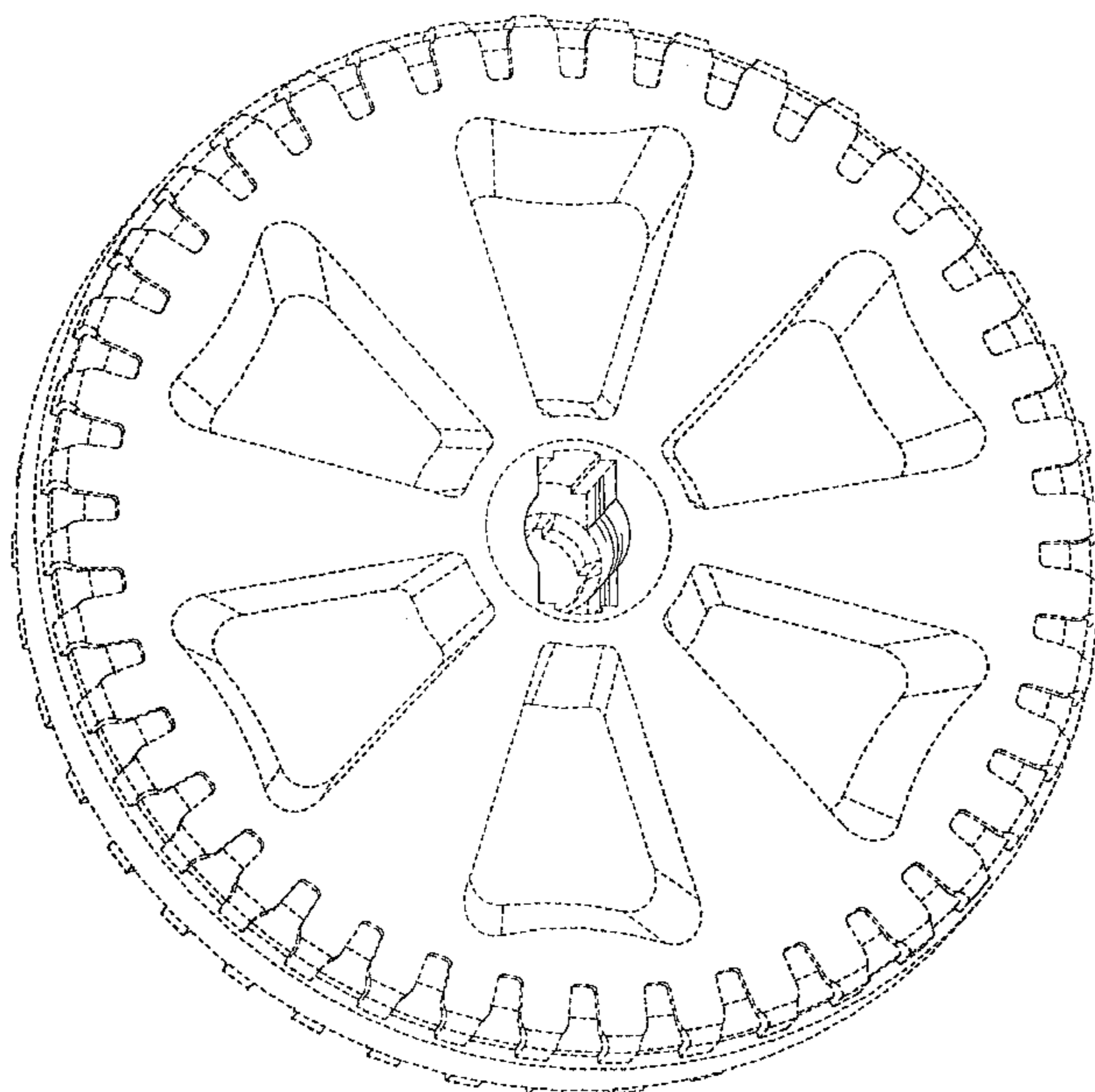
DESCRIPTION

FIG. 1 is a front perspective view of a wheel of the new design;
 FIG. 2 is a rear perspective view of a wheel of FIG. 1;
 FIG. 3 is a top plan view of the wheel of FIG. 1, the bottom plan view being a mirror image thereof;
 FIG. 4 is a front elevational view of the wheel of FIG. 1;
 FIG. 5 is a rear elevational view of the wheel of FIG. 1;
 FIG. 6 is a left elevational view of the wheel of FIG. 1, the right elevational view being a mirror image thereof;
 FIG. 7 is a cross-sectional view of the wheel of FIG. 1 taken along line A-A of FIG. 4; and,
 FIG. 8 is a magnified front perspective view of a central portion of the wheel of FIG. 1.
 The portions of the Figures shown in broken lines are not part of the claimed design and are for illustration only.

1 Claim, 5 Drawing Sheets

(56) **References Cited**
U.S. PATENT DOCUMENTS

D29,542 S *	10/1898	Corscaden	D12/211
D221,833 S *	9/1971	Haydock	D8/375
D231,349 S *	4/1974	Gaffney	D12/211
D276,513 S *	11/1984	Honsa	D12/501
D285,916 S *	9/1986	Walter	D12/211
5,088,750 A	2/1992	Beese et al.		
D325,011 S	3/1992	Markling		
5,104,198 A	4/1992	Prout et al.		
D326,837 S	6/1992	Hulterstrum		
D327,048 S	6/1992	Markling et al.		
D328,048 S	7/1992	Markling		
D328,053 S	7/1992	Markling		
5,316,377 A	5/1994	Markling et al.		
D351,394 S	10/1994	Morris		



US D683,099 S

Page 2

U.S. PATENT DOCUMENTS

6,328,320	B1	12/2001	Walski et al.	D542,003	S	5/2007	Morris	
6,361,121	B1	3/2002	Morris	D542,499	S *	5/2007	Liu	D34/27
6,375,274	B1	4/2002	Morris	7,287,665	B2	10/2007	Meissen et al.	
6,435,762	B1	8/2002	Markling	7,290,775	B2	11/2007	Parker et al.	
6,464,305	B2	10/2002	Markling	D570,070	S	5/2008	Morris	
D470,452	S	2/2003	Flood et al.	7,377,597	B2	5/2008	Morris	
6,520,597	B1	2/2003	Markling	7,481,498	B1	1/2009	Morris	
6,637,835	B2	10/2003	Morris	D586,071	S	2/2009	Morris	
6,886,893	B1	5/2005	Fisch et al.	D586,072	S	2/2009	Morris	
6,896,335	B2	5/2005	Markling	7,591,592	B2	9/2009	Beirne et al.	
6,910,742	B2	6/2005	Flood et al.	D625,069	S *	10/2010	Maff	D34/10
6,913,324	B2	7/2005	Markling	D625,070	S *	10/2010	Maff	D34/10
6,938,964	B2	9/2005	Flood et al.	8,147,005	B2	4/2012	Morris	
6,962,115	B2	11/2005	Markling	D659,934	S *	5/2012	Hatcher et al.	D34/27
6,976,437	B2	12/2005	Fisch et al.	2004/0255828	A1	12/2004	Markling et al.	
D520,367	S	5/2006	Morris	2008/0121582	A1	5/2008	Morris	
7,108,335	B2	9/2006	Morris	2012/0152586	A1 *	6/2012	Frutschy et al.	174/51
7,121,564	B2	10/2006	Hassell					

* cited by examiner

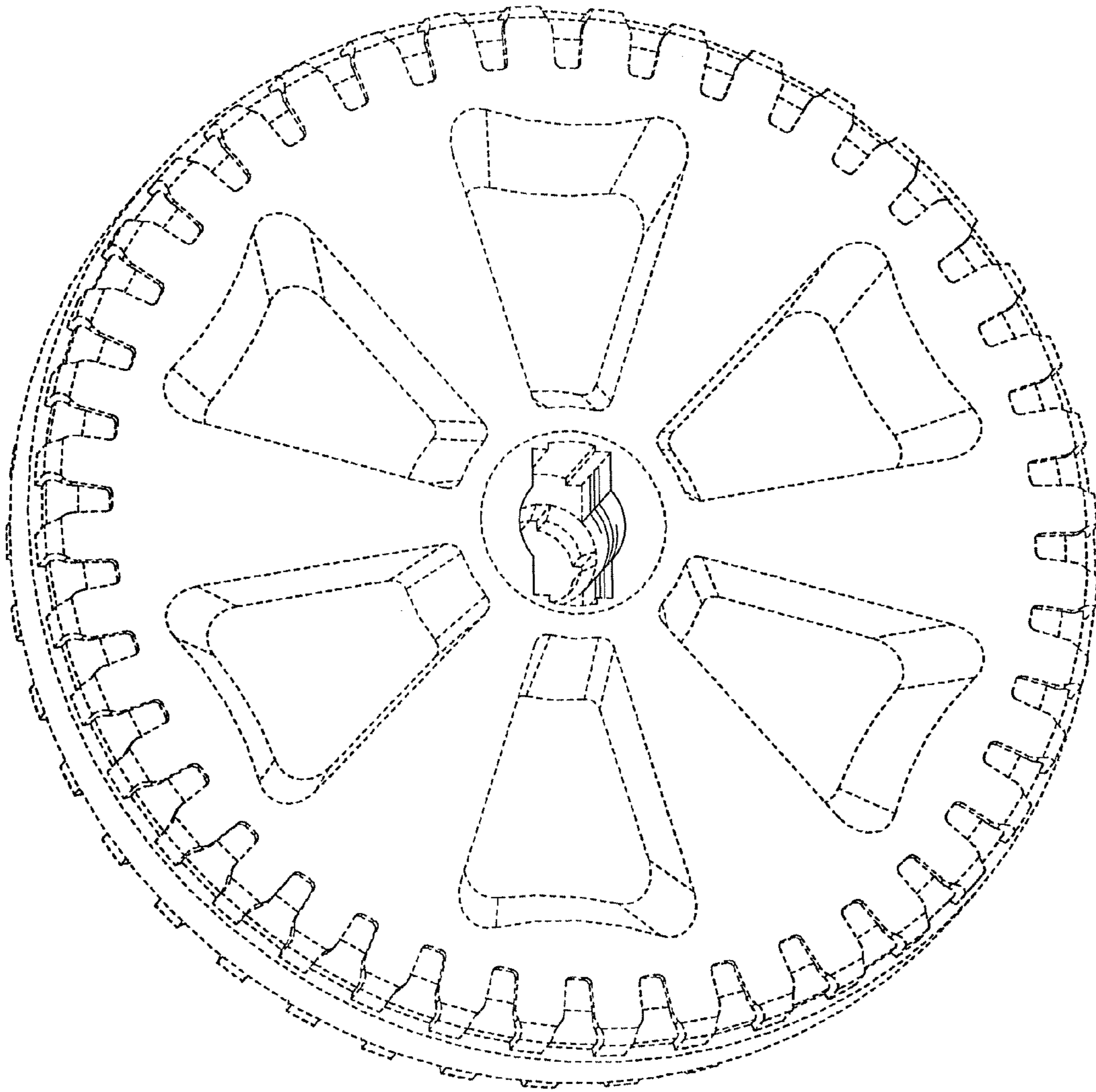


FIG. 1

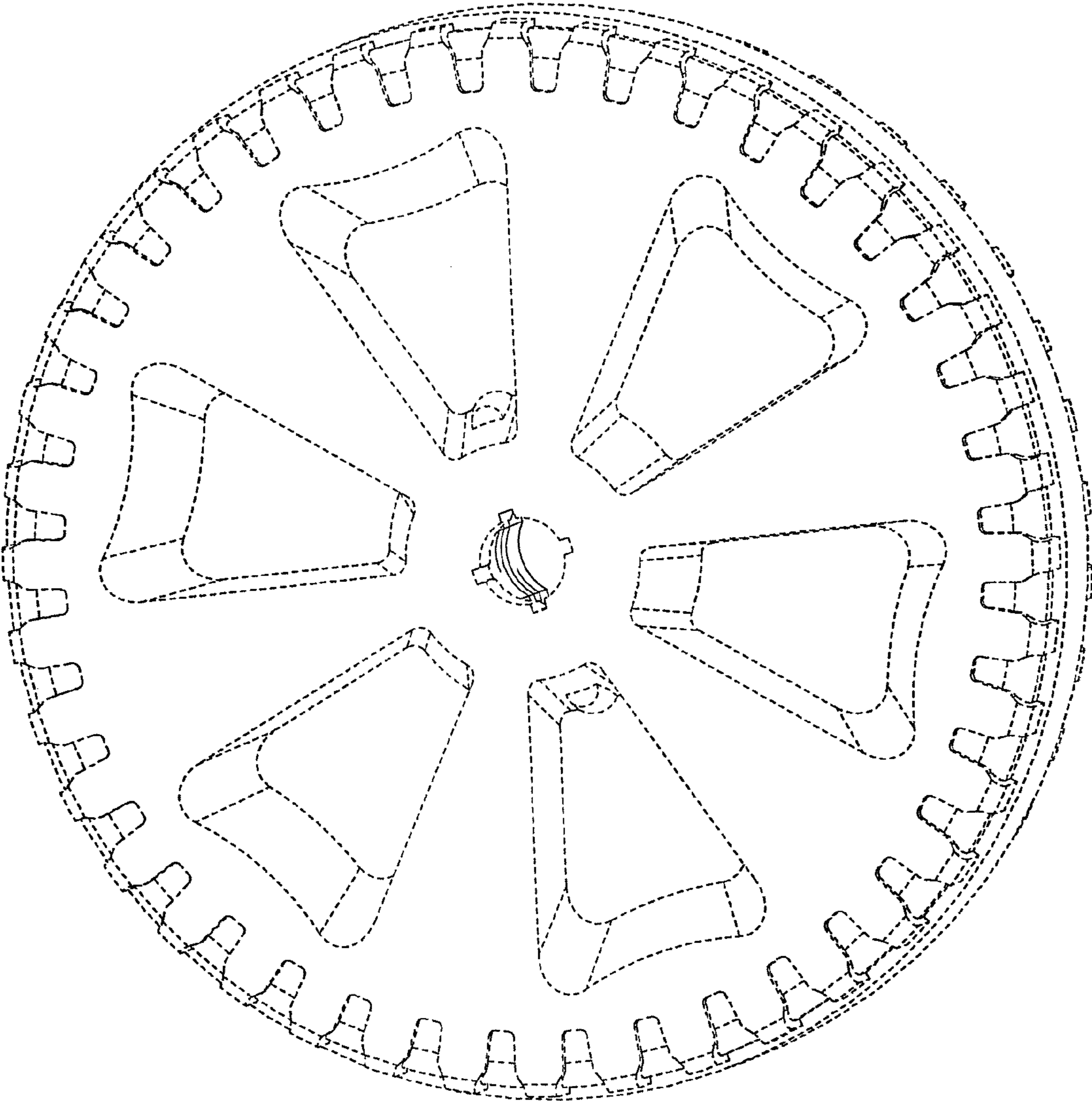


FIG. 2

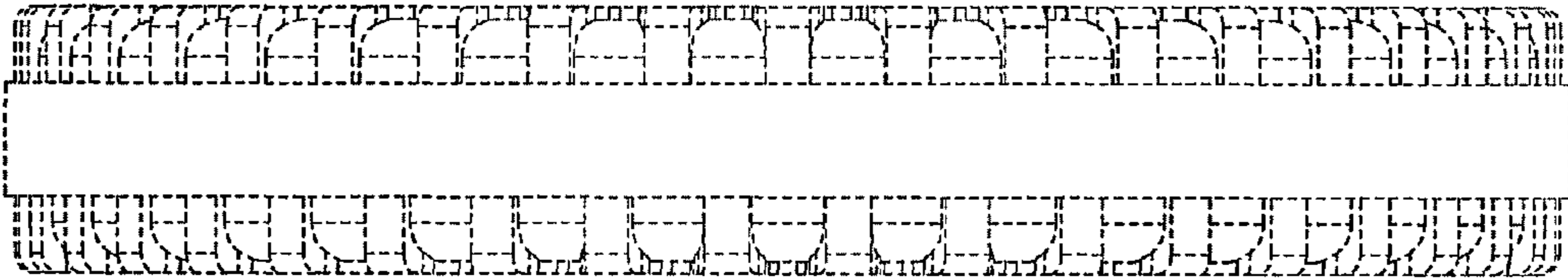


FIG. 3

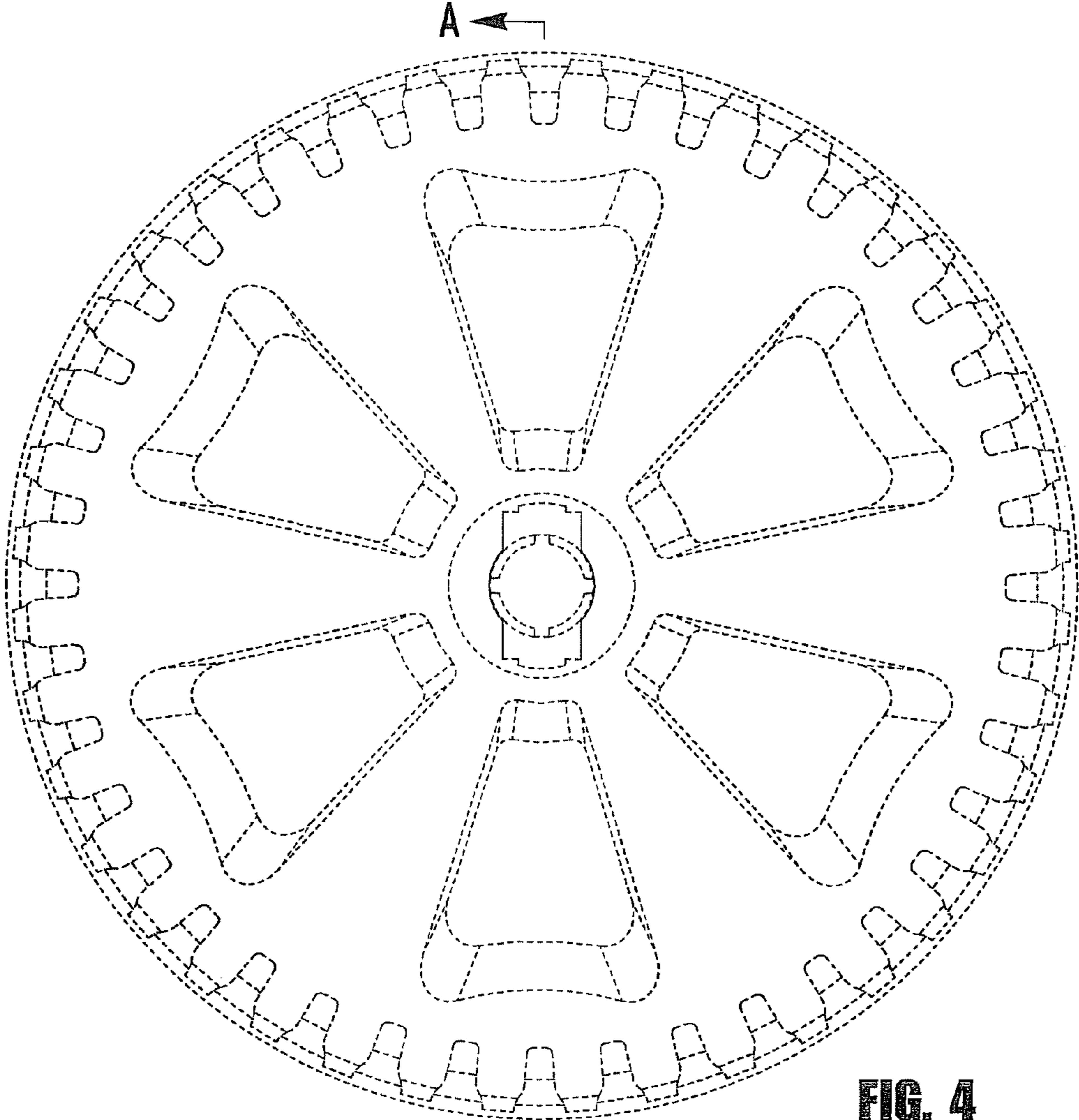


FIG. 4

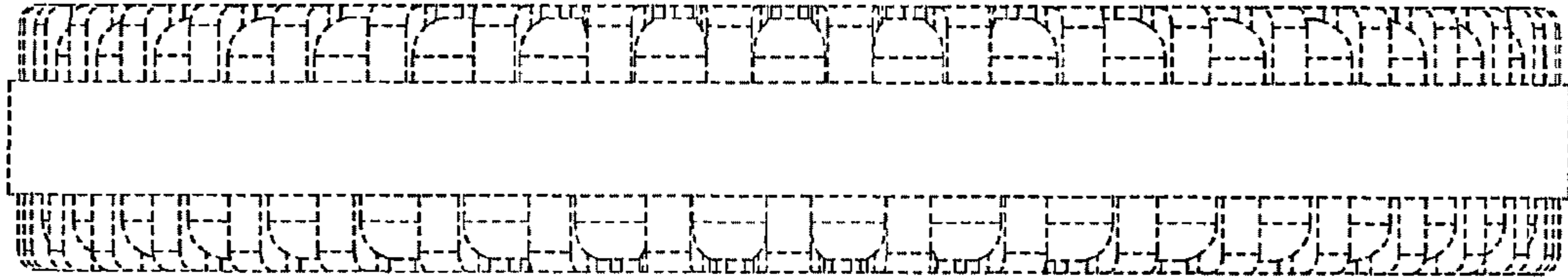


FIG. 6

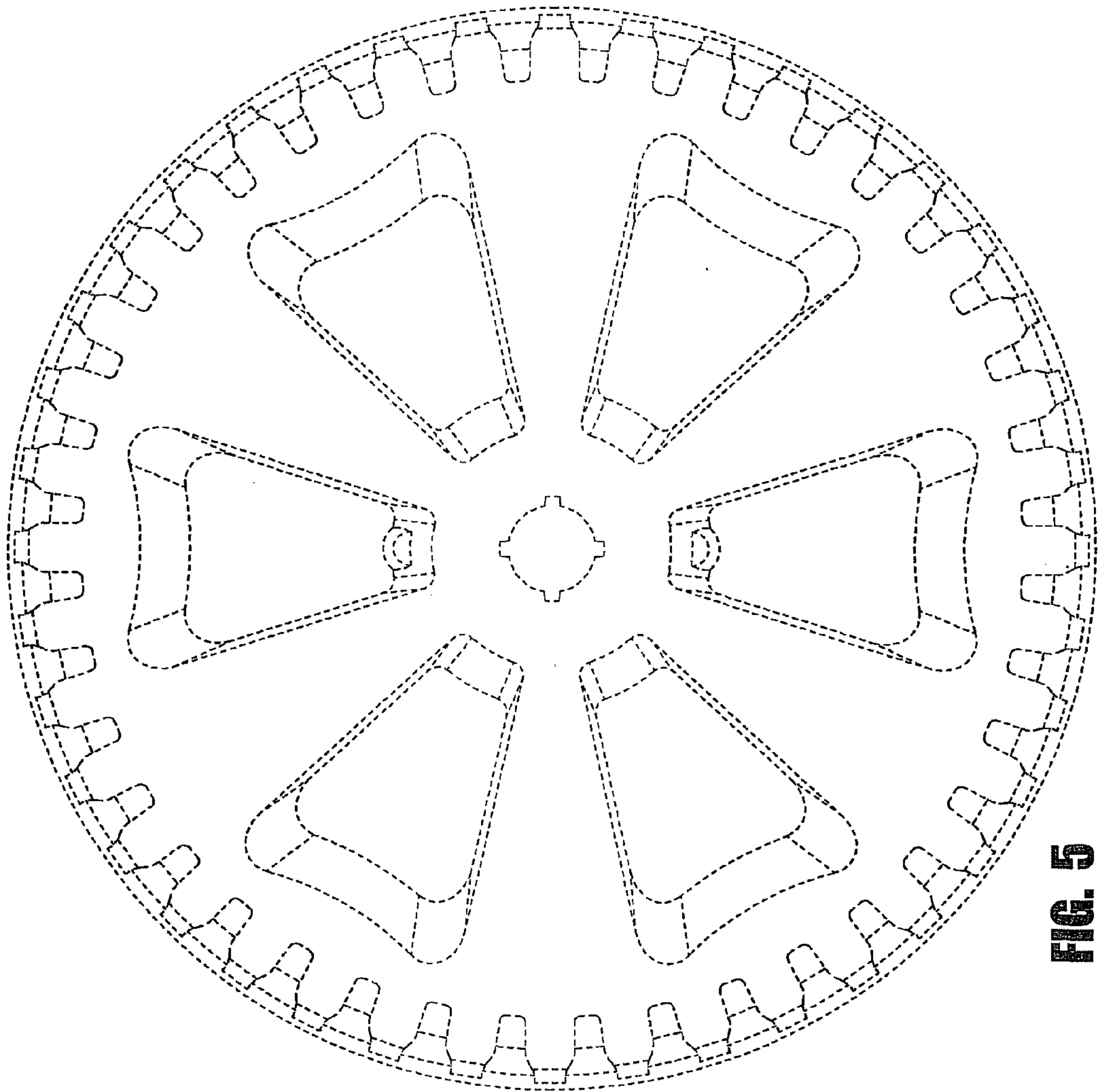


FIG. 5

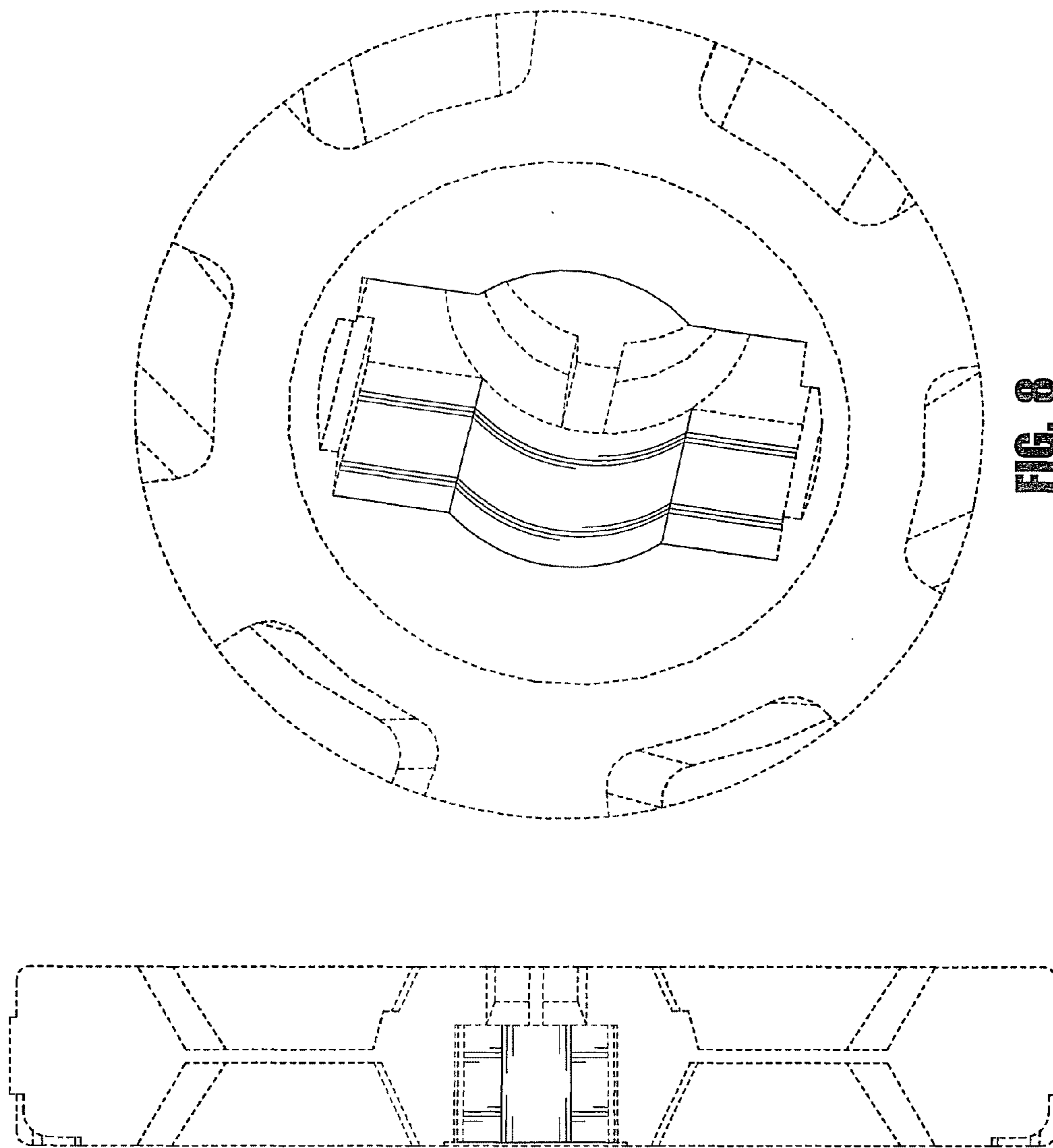


FIG. 8

FIG. 7
SECTION A-A