



US00D683096S

(12) **United States Design Patent**
Stumpo

(10) **Patent No.:** **US D683,096 S**

(45) **Date of Patent:** **** May 21, 2013**

(54) **VENT DRYER STAND**

(71) Applicant: **Palmo Stumpo**, Hamilton (CA)

(72) Inventor: **Palmo Stumpo**, Hamilton (CA)

(**) Term: **14 Years**

(21) Appl. No.: **29/439,337**

(22) Filed: **Dec. 10, 2012**

(51) **LOC (9) Cl.** **07-05**

(52) **U.S. Cl.**
USPC **D32/58**

(58) **Field of Classification Search** D32/8,
D32/58, 59; D24/109; D7/708; 34/90, 600,
34/523, 441, 381, 240, 106, 105, 104, 103;
D2/979

See application file for complete search history.

(56) **References Cited**

U.S. PATENT DOCUMENTS

D156,010 S	*	11/1949	Hutchings	D32/58
D244,419 S	*	5/1977	Anderson	D32/58
D261,350 S	*	10/1981	Koshiyama	D32/58
D271,913 S	*	12/1983	Nanfito et al.	D32/55
D339,667 S	*	9/1993	Fitzpatrick	D32/58

D355,288 S	*	2/1995	Mallen	D32/58
D387,216 S	*	12/1997	Stone	D6/405
D394,926 S	*	6/1998	Lindsay	D32/58
5,862,924 A	*	1/1999	Dumont	211/85.7
D465,946 S	*	11/2002	Boyd, Jr.	D6/458
D487,831 S	*	3/2004	Savoie	D32/58
D496,191 S	*	9/2004	Johnson	D6/465
D544,164 S	*	6/2007	Hinkens	D32/58
D599,601 S	*	9/2009	Mallen	D6/552
8,020,716 B2	*	9/2011	Vitale	211/197
D664,374 S	*	7/2012	Capella	D6/415

* cited by examiner

Primary Examiner — Austin Murphy

(57) **CLAIM**

The ornamental design for a vent dryer stand, as shown and described.

DESCRIPTION

FIG. 1 is a front top perspective view of a vent dryer stand of my design.

FIG. 2 is a rear top perspective view of the vent dryer stand of the present design shown in FIG. 1; and,

FIG. 3 is a right end elevational view of the vent dryer stand of the present design shown in FIG. 1.

1 Claim, 3 Drawing Sheets

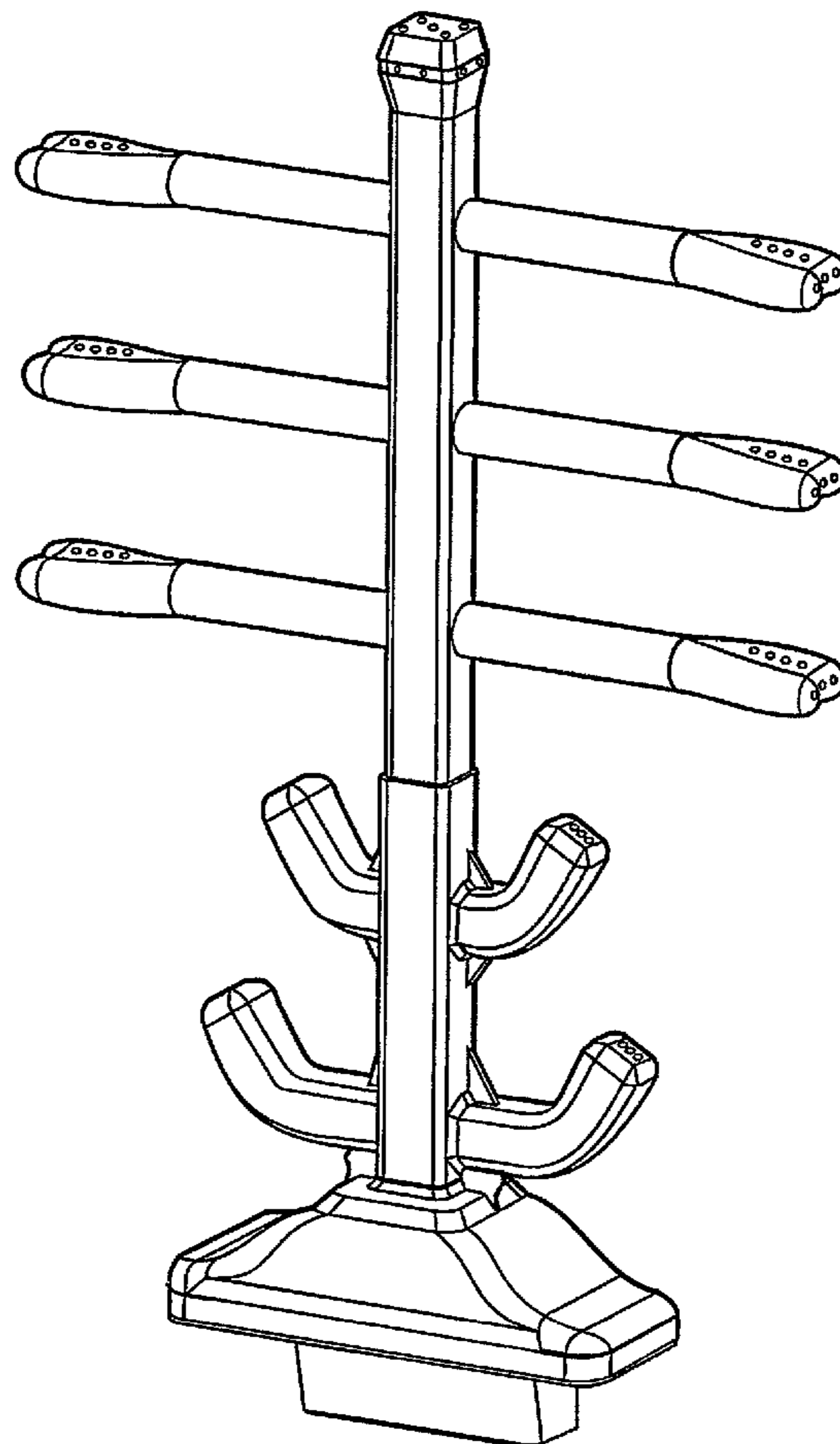


Fig. 1

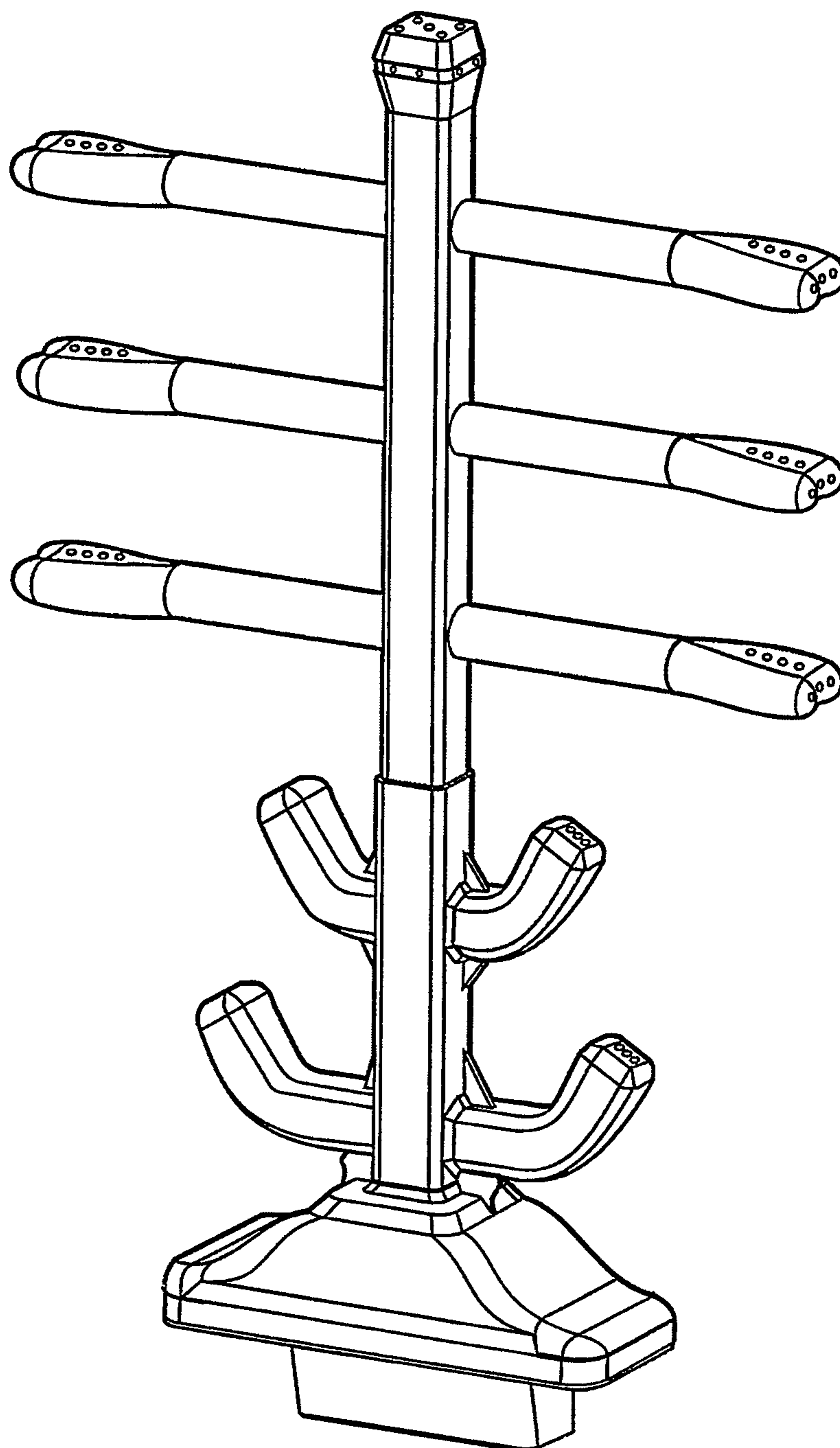


Fig. 2

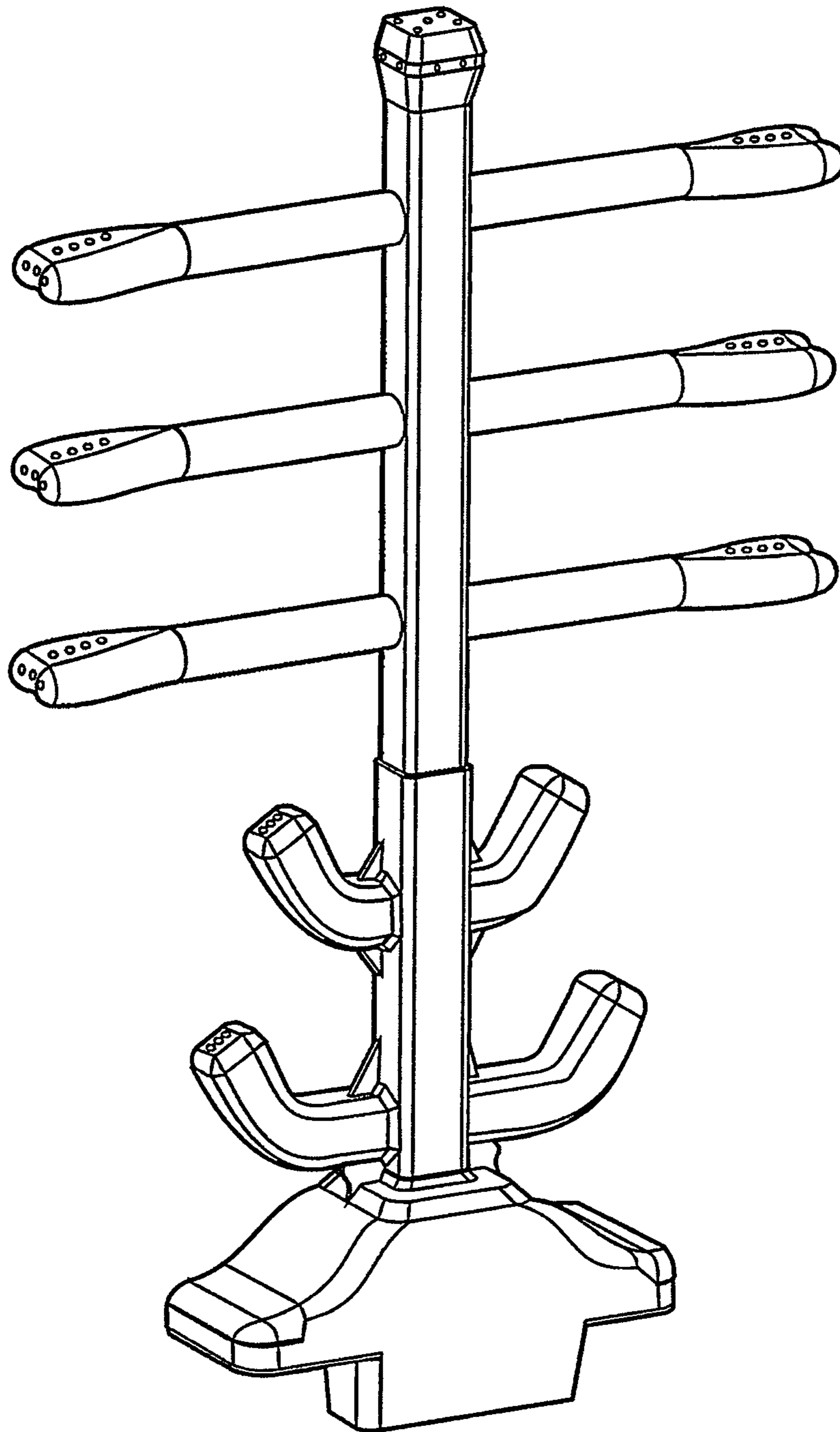


Fig. 3

