



US00D683095S

(12) **United States Design Patent**
Vasilakes et al.

(10) **Patent No.:** **US D683,095 S**
(45) **Date of Patent:** **** May 21, 2013**

(54) **WRINGER**

(75) Inventors: **Lloyd S. Vasilakes**, Stillwater, MN (US);
Valentina Tronconi, Milan (IT);
Edgardo Angelini, Milan (IT); **Rosario**
D. De Salvo, Milan (IT); **Sandro F. U.**
Pizzi, Milan (IT)

(73) Assignee: **3M Innovative Properties Company**,
St. Paul, MN (US)

(**) Term: **14 Years**

(21) Appl. No.: **29/425,725**

(22) Filed: **Jun. 26, 2012**

(51) **LOC (9) Cl.** **07-07**

(52) **U.S. Cl.**
USPC **D32/53**

(58) **Field of Classification Search** D32/53-54;
15/260-264; 220/904

See application file for complete search history.

(56) **References Cited**

U.S. PATENT DOCUMENTS

D164,340 S * 8/1951 Wegelin D32/54
D218,778 S * 9/1970 Gunfaus D32/54
D383,270 S * 9/1997 Weihrauch D32/54

D410,310 S * 5/1999 Haley et al. D32/54
6,530,112 B2 3/2003 Hirse
6,684,450 B2 2/2004 Dingert
6,823,557 B2 * 11/2004 Dingert 15/260
8,122,561 B2 * 2/2012 Dingert et al. 15/260
2009/0288266 A1 11/2009 Dingert

FOREIGN PATENT DOCUMENTS

EP 0 489 237 A1 6/1992

* cited by examiner

Primary Examiner — Robin V Webster

(74) *Attorney, Agent, or Firm* — Irina Hass

(57) **CLAIM**

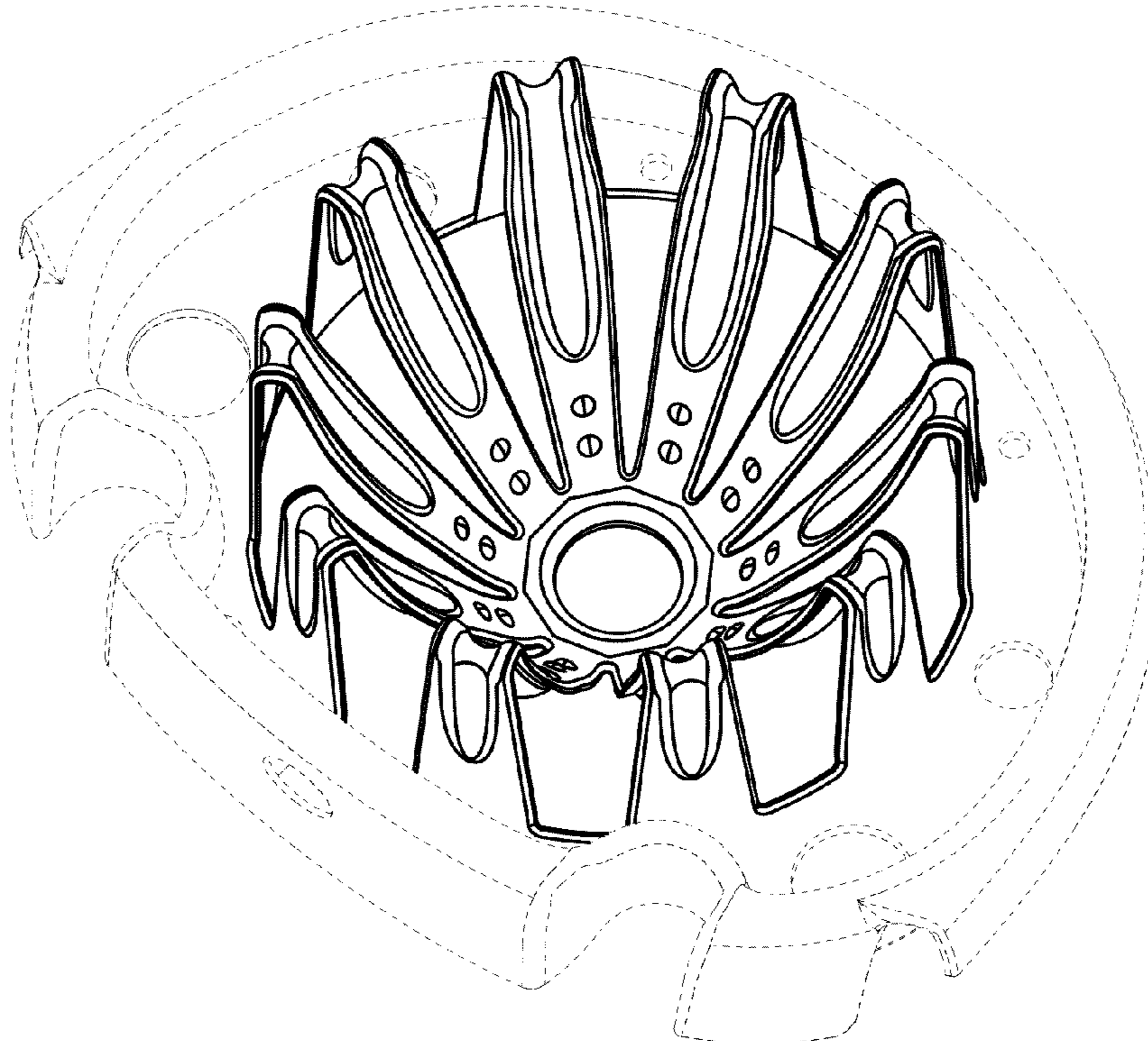
The ornamental design for a wringer, as shown and described.

DESCRIPTION

FIG. 1 is a perspective view of the new design for a wringer;
FIG. 2 is a left side view thereof, the right side view being a
mirror image thereof;
FIG. 3 is a rear view thereof;
FIG. 4 is a front view thereof;
FIG. 5 is a top view thereof;
FIG. 6 is a bottom view thereof; and,
FIG. 7 is a perspective view thereof showing the wringer with
a bucket.

The broken lines in the drawings are shown for illustrative
purposes only and form no part of the claimed design.

1 Claim, 4 Drawing Sheets



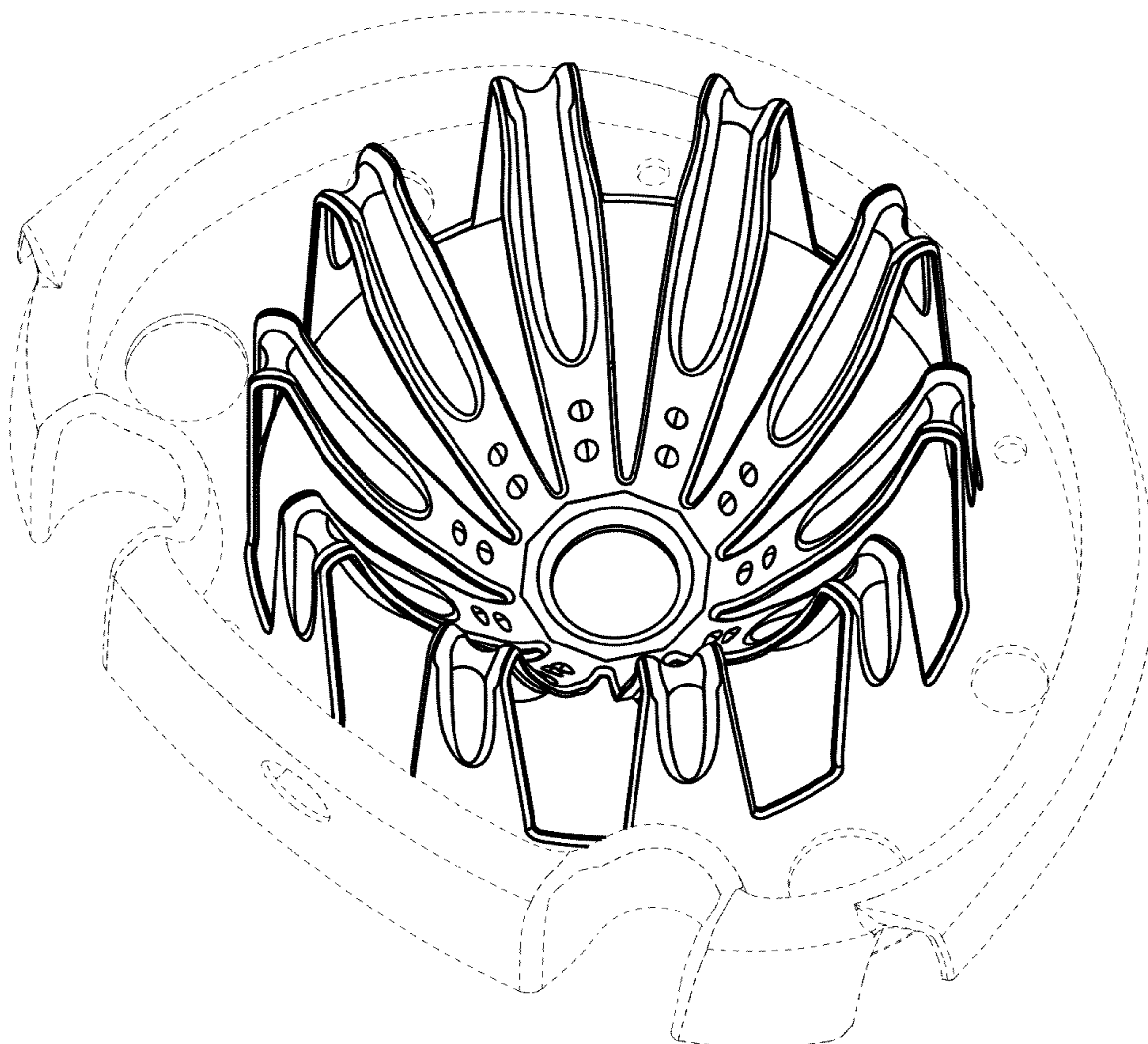


FIG. 1

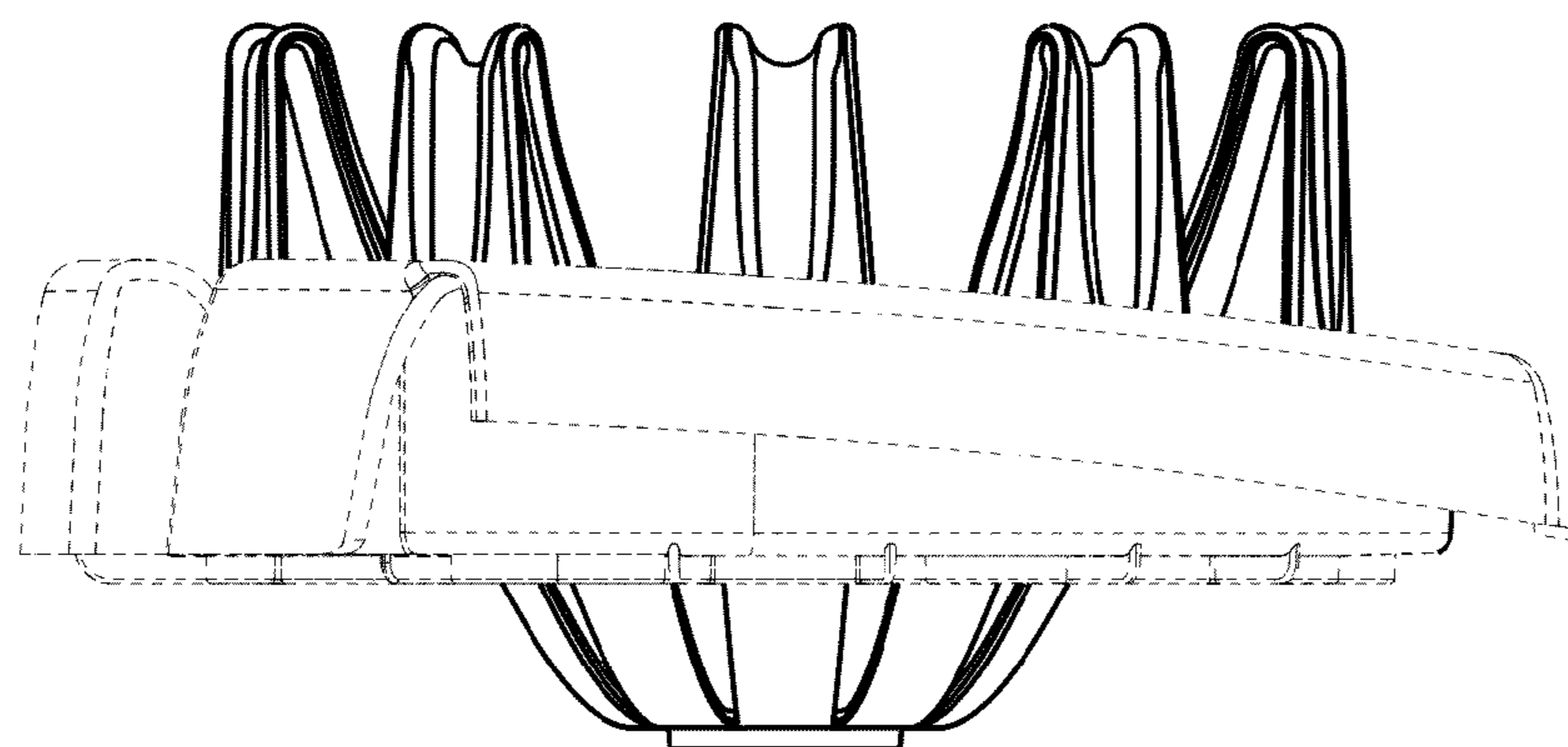


FIG. 2

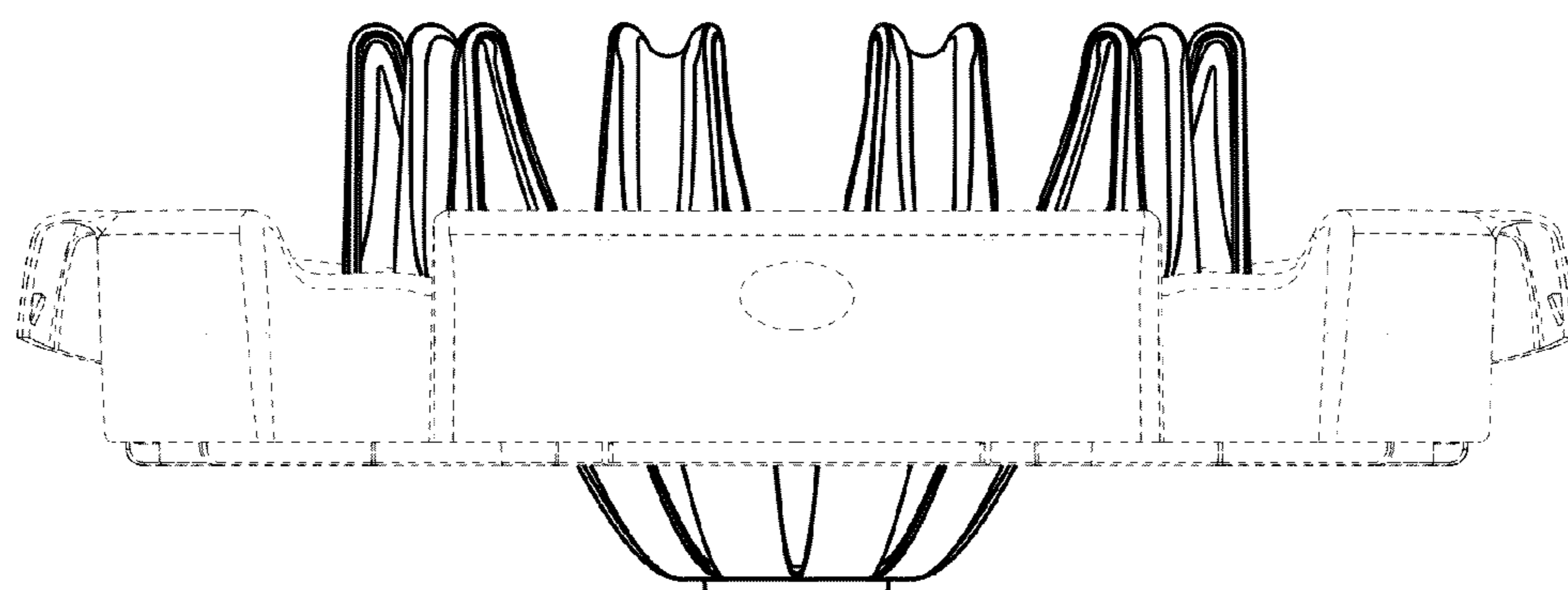


FIG. 3

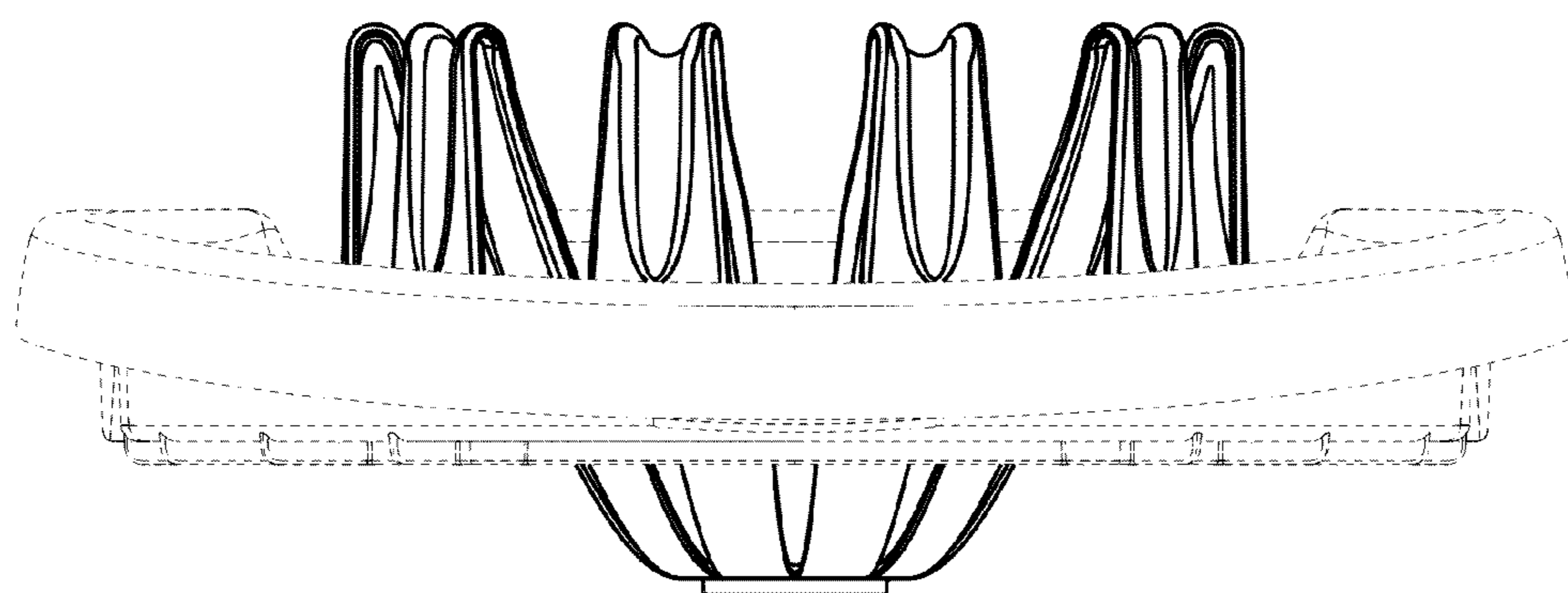


FIG. 4

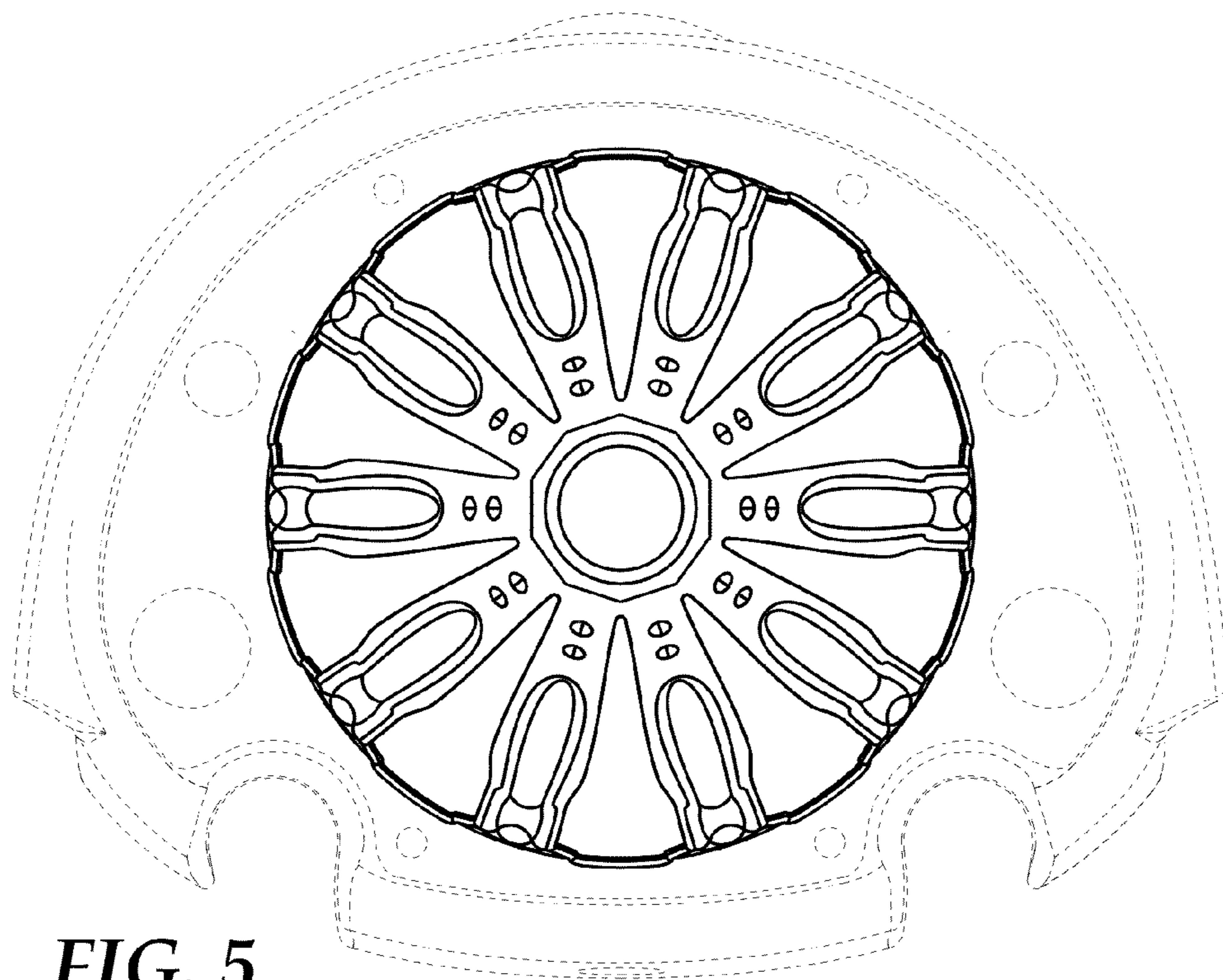


FIG. 5

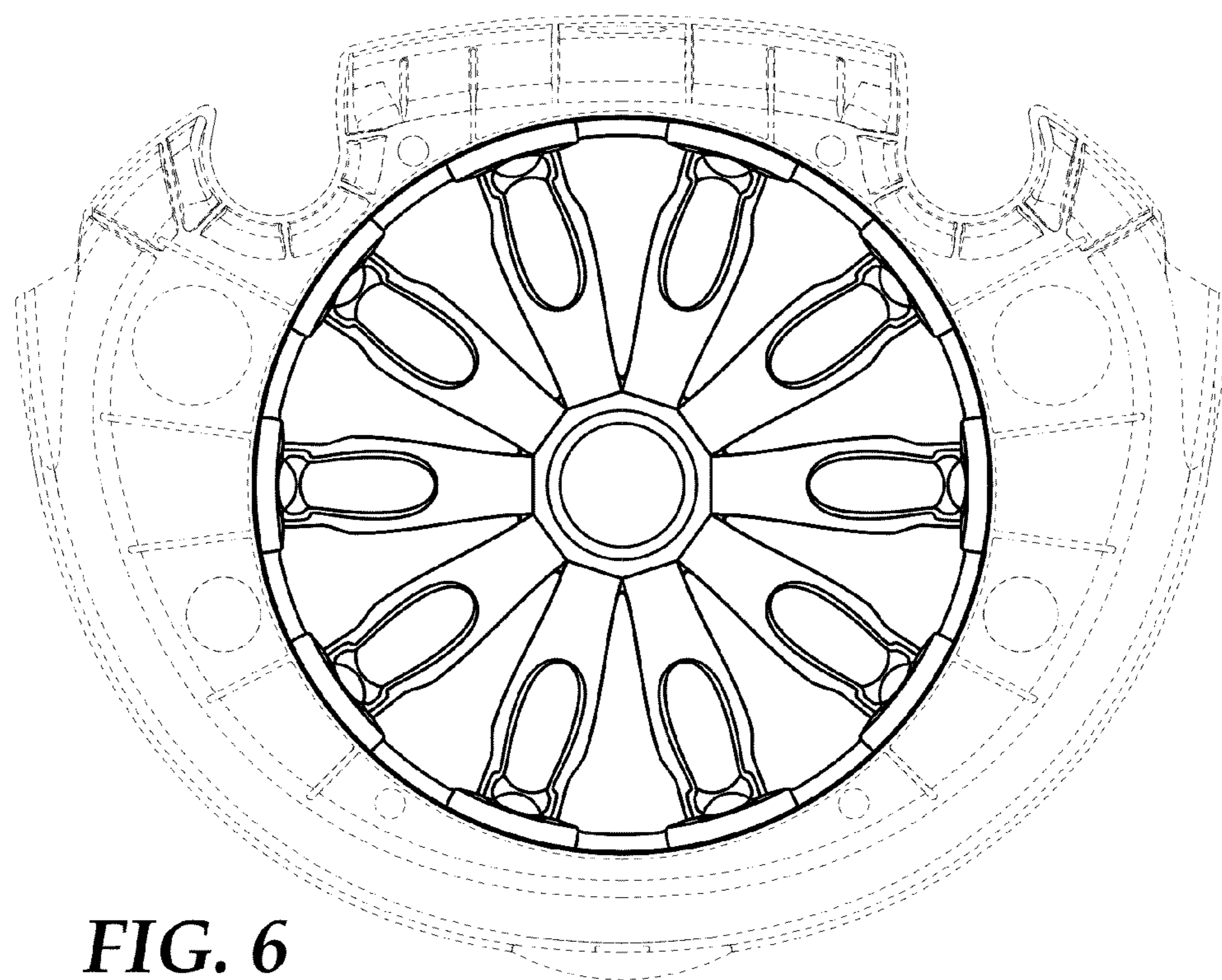


FIG. 6

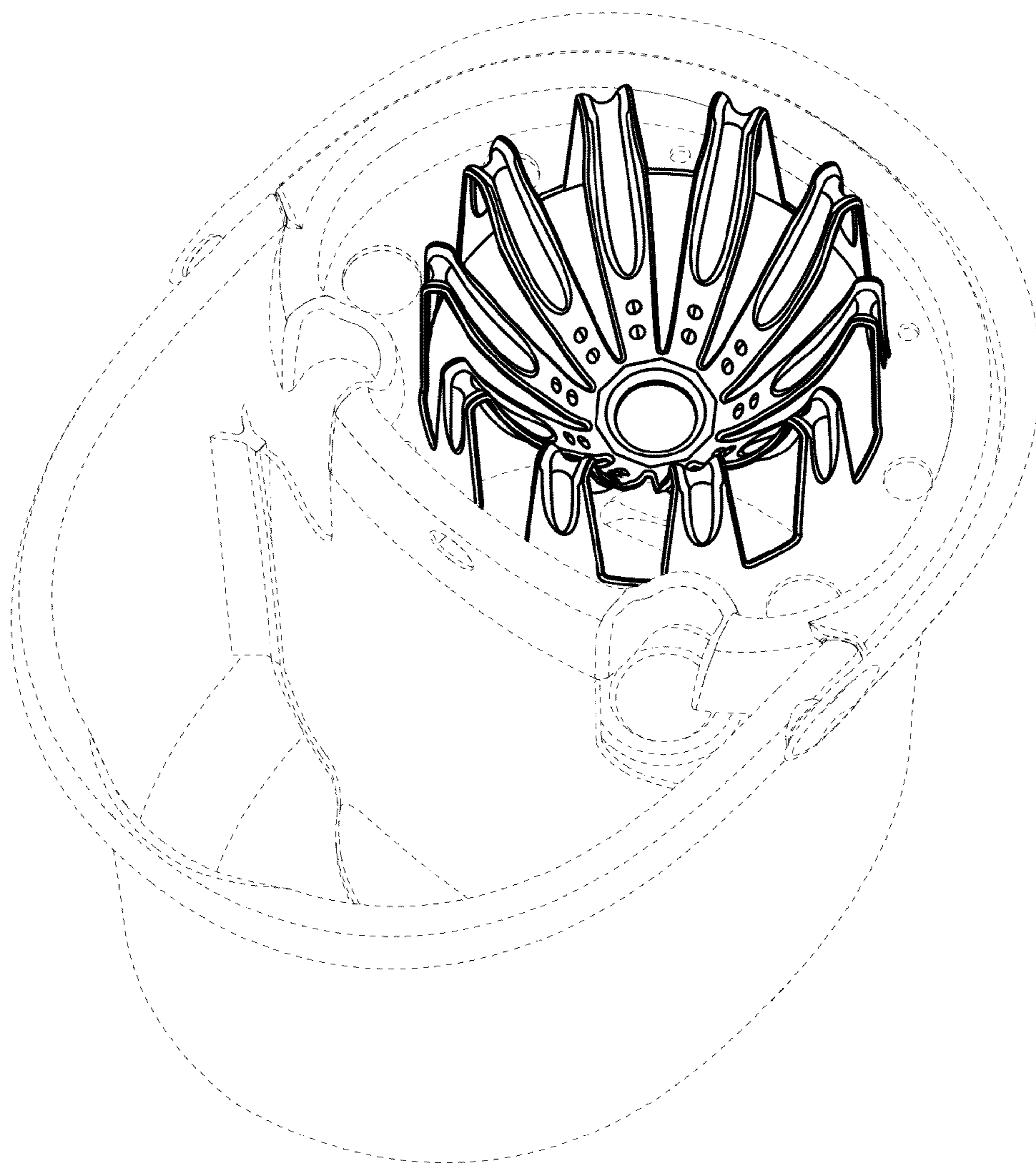


FIG. 7