



US00D683092S

(12) **United States Design Patent**  
**Taewan et al.**

(10) **Patent No.:** **US D683,092 S**

(45) **Date of Patent:** **\*\* \*May 21, 2013**

- (54) **DRUM FOR WASHING MACHINE**
- (75) Inventors: **An Taewan**, Sungnam-si (KR); **Kim Youngjae**, Incheon (KR)
- (73) Assignee: **Samsung Electronics Co., Ltd.**, Gyeonggi-do (KR)
- (\*) Notice: This patent is subject to a terminal disclaimer.
- (\*\*) Term: **14 Years**
- (21) Appl. No.: **29/417,789**
- (22) Filed: **Apr. 9, 2012**
- (51) **LOC (9) Cl.** ..... **15-05**
- (52) **U.S. Cl.**  
USPC ..... **D32/29**
- (58) **Field of Classification Search**  
USPC ..... D32/1, 25, 29; 68/3 R, 4, 5 R, 12.01, 68/12.08, 212, 23 R, 23.3, 23.4, 142; 34/58, 34/108, 130, 132, 595-597, 602  
See application file for complete search history.

D528,719	S	*	9/2006	No et al.	.....	D32/29
D532,566	S	*	11/2006	Park	.....	D32/29
D532,940	S	*	11/2006	Park	.....	D32/6
D556,404	S	*	11/2007	Park et al.	.....	D32/25
D582,533	S	*	12/2008	Bodine	.....	D23/366
7,661,204	B2	*	2/2010	Maxson	.....	36/44
D652,591	S	*	1/2012	Kim	.....	D32/25
2003/0115913	A1	*	6/2003	Lee et al.	.....	68/23.3
2004/0089030	A1	*	5/2004	Rhode et al.	.....	68/23 R
2005/0022565	A1	*	2/2005	Jung et al.	.....	68/24
2007/0251278	A1	*	11/2007	Barcha et al.	.....	68/23.3

\* cited by examiner

*Primary Examiner* — T. Chase Nelson  
*Assistant Examiner* — Kathleen M Sims  
(74) *Attorney, Agent, or Firm* — Harness, Dickey & Pierce

(57) **CLAIM**  
We claim the ornamental design for a drum for washing machine, as shown and described.

**DESCRIPTION**

FIG. 1 is a front/right-side/top perspective view of a drum for washing machine showing our new design; FIG. 2 is a front-side elevational view thereof; FIG. 3 is a rear-side elevational view thereof; FIG. 4 is a left-side elevational view thereof; FIG. 5 is a right-side elevational view thereof; FIG. 6 is a top-side elevational view thereof; FIG. 7 is a bottom-side elevational view thereof; and, FIG. 8 is an enlarged view of a portion thereof. The broken line showing of details in FIGS. 1-8 is included for the purpose of showing environmental portions of the drum for washing machine and forms no part of the claimed design.

**1 Claim, 8 Drawing Sheets**

(56) **References Cited**

U.S. PATENT DOCUMENTS

D174,702	S	*	5/1955	Oberg	.....	D32/29
2,783,551	A	*	3/1957	Giannini	.....	34/602
4,888,965	A	*	12/1989	Fanson et al.	.....	68/23.4
5,287,989	A	*	2/1994	Luther	.....	220/676
D358,204	S	*	5/1995	Ferrier	.....	D23/314
5,881,909	A	*	3/1999	Crain et al.	.....	220/676
D426,686	S	*	6/2000	Clausen et al.	.....	D32/29
6,401,363	B1	*	6/2002	Miramondi	.....	34/602
6,622,531	B2	*	9/2003	Ren et al.	.....	68/140

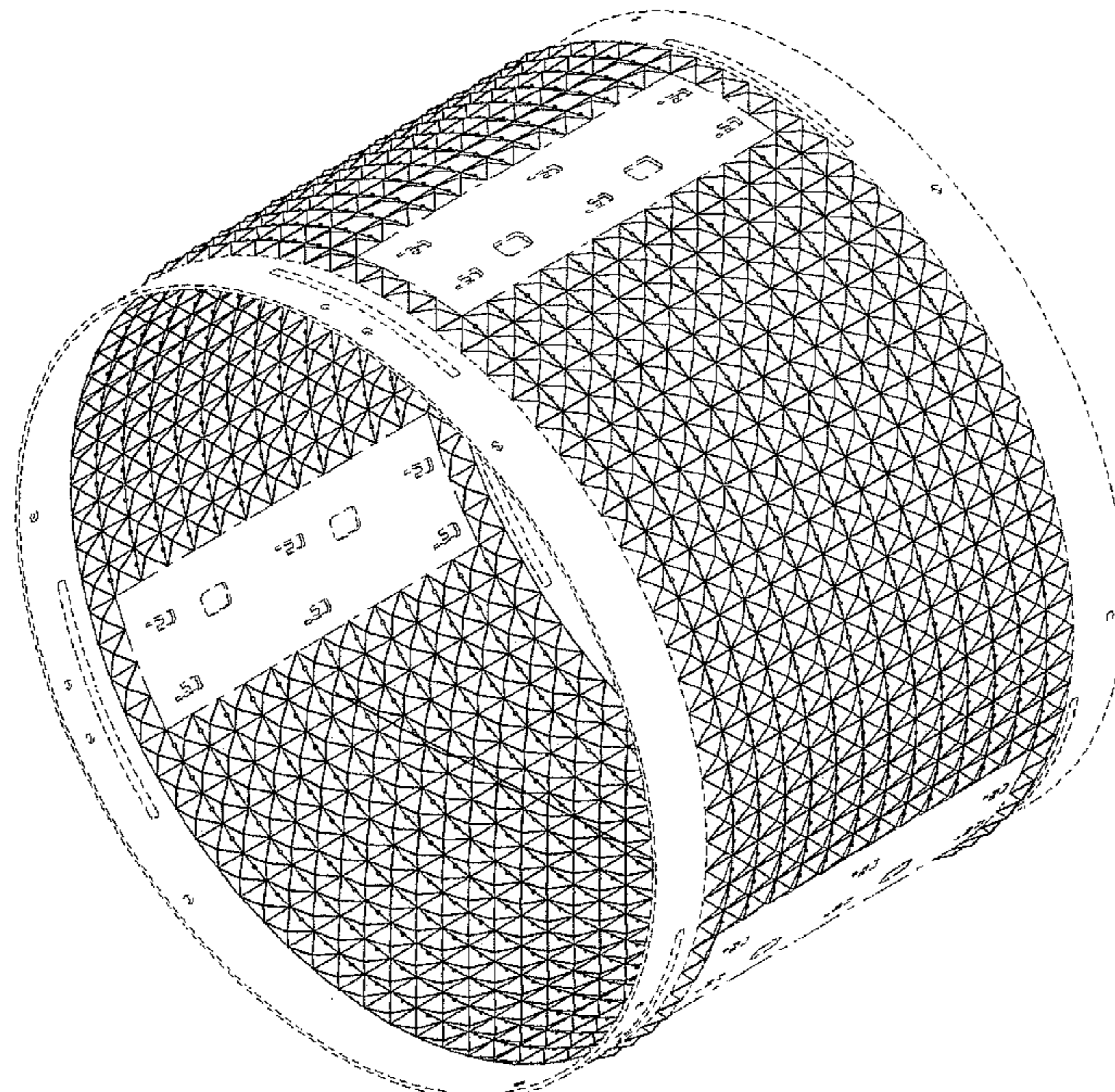




FIG. 1

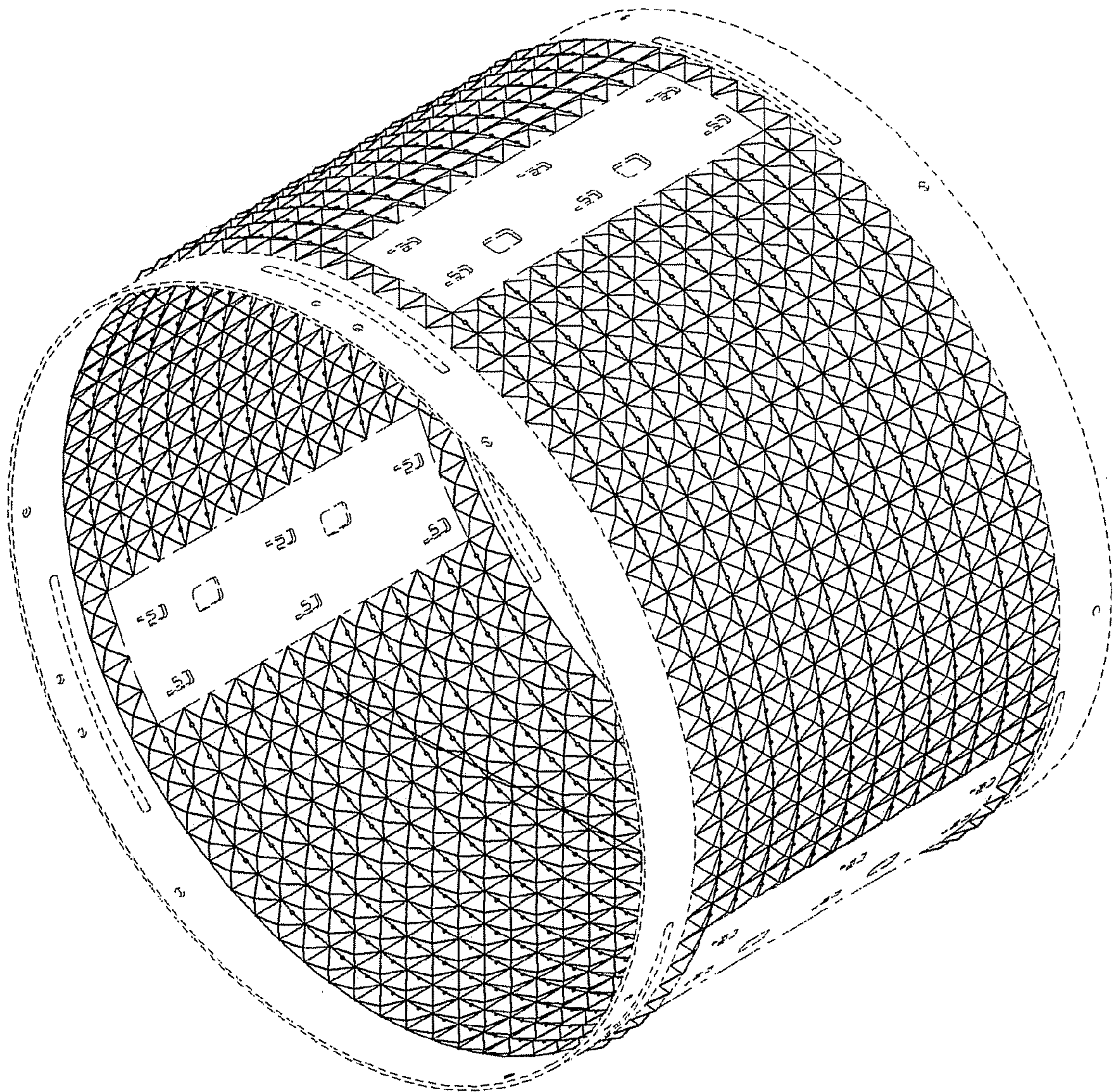


FIG. 2

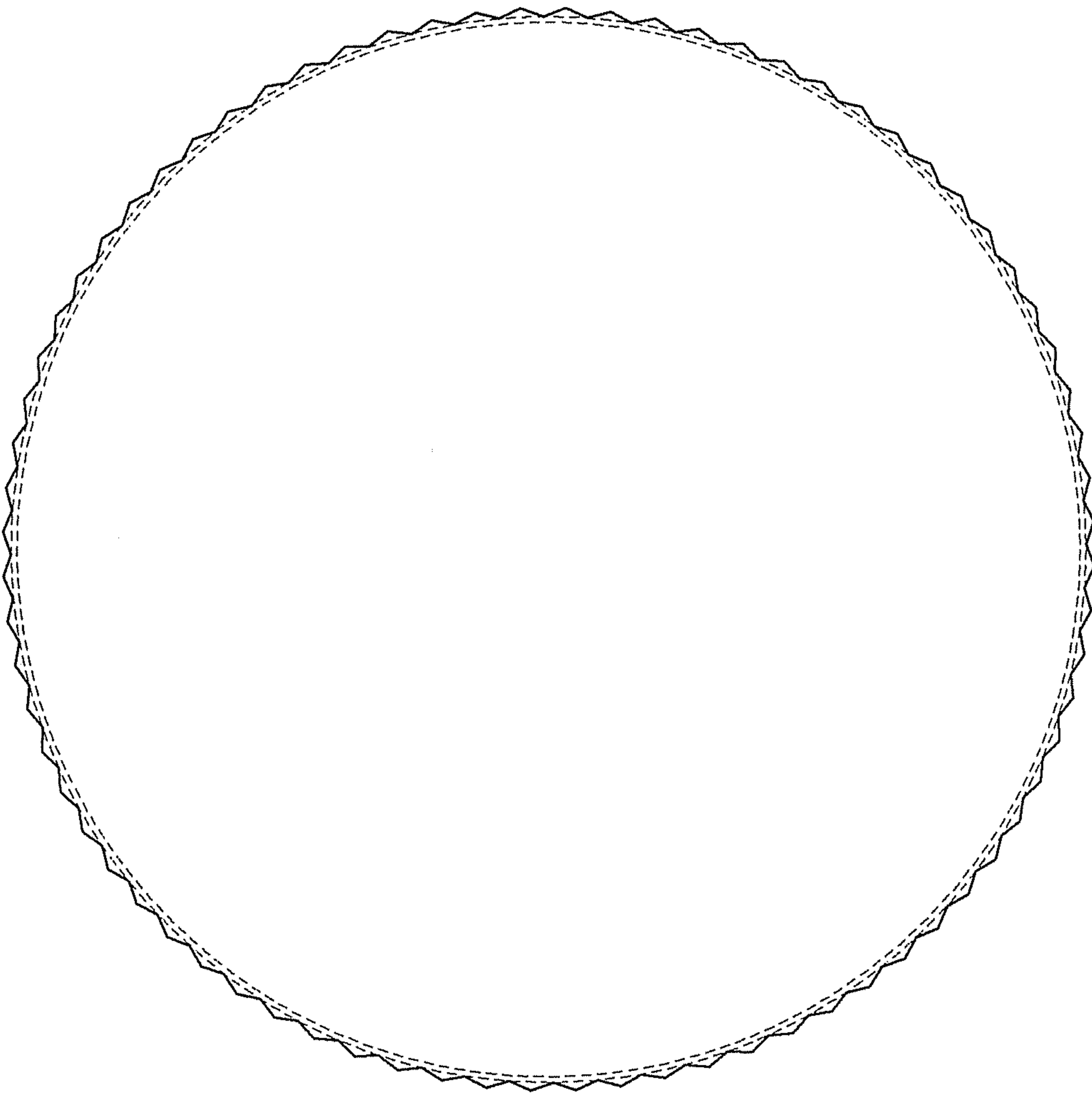


FIG. 3

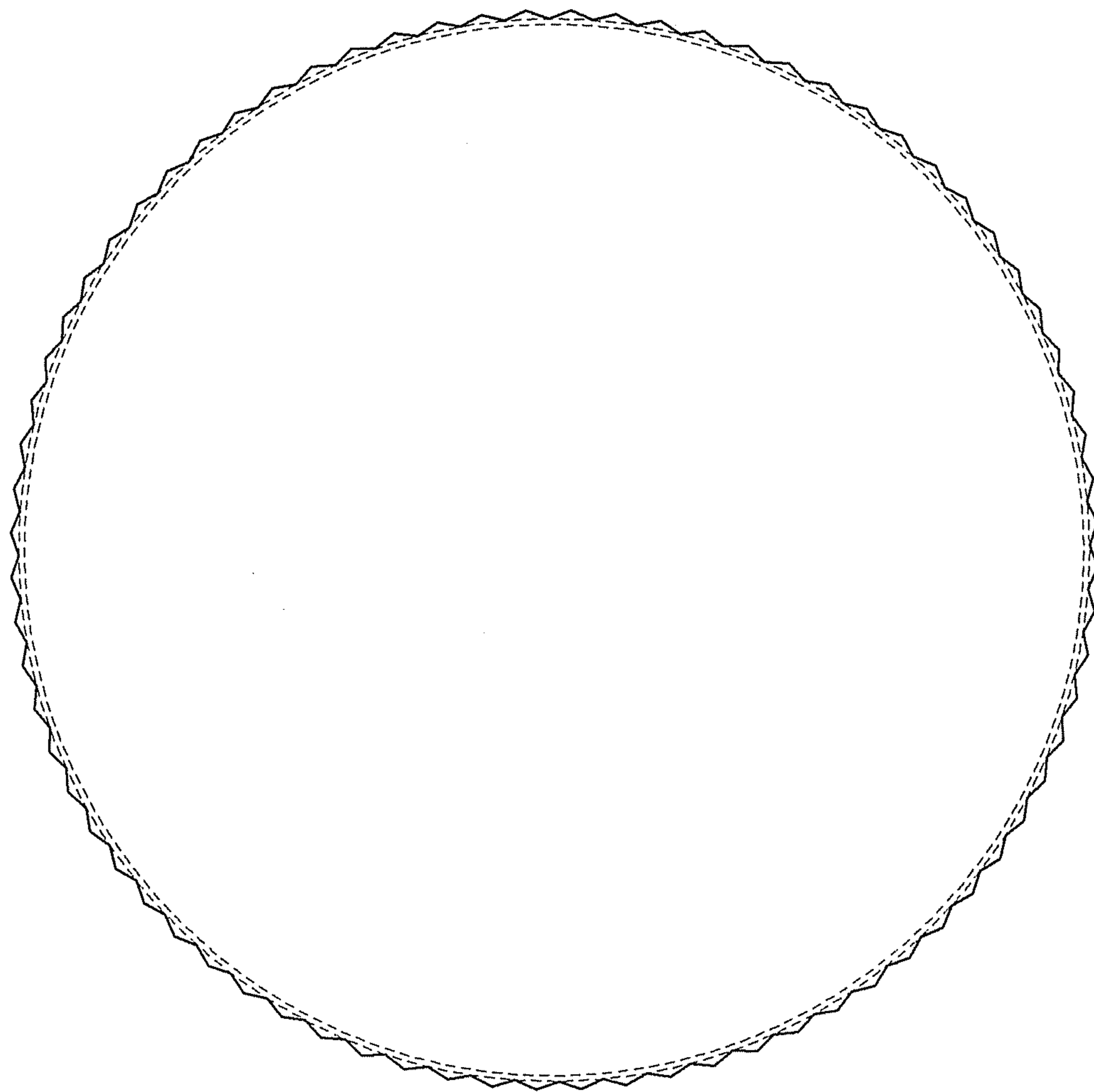




FIG.4

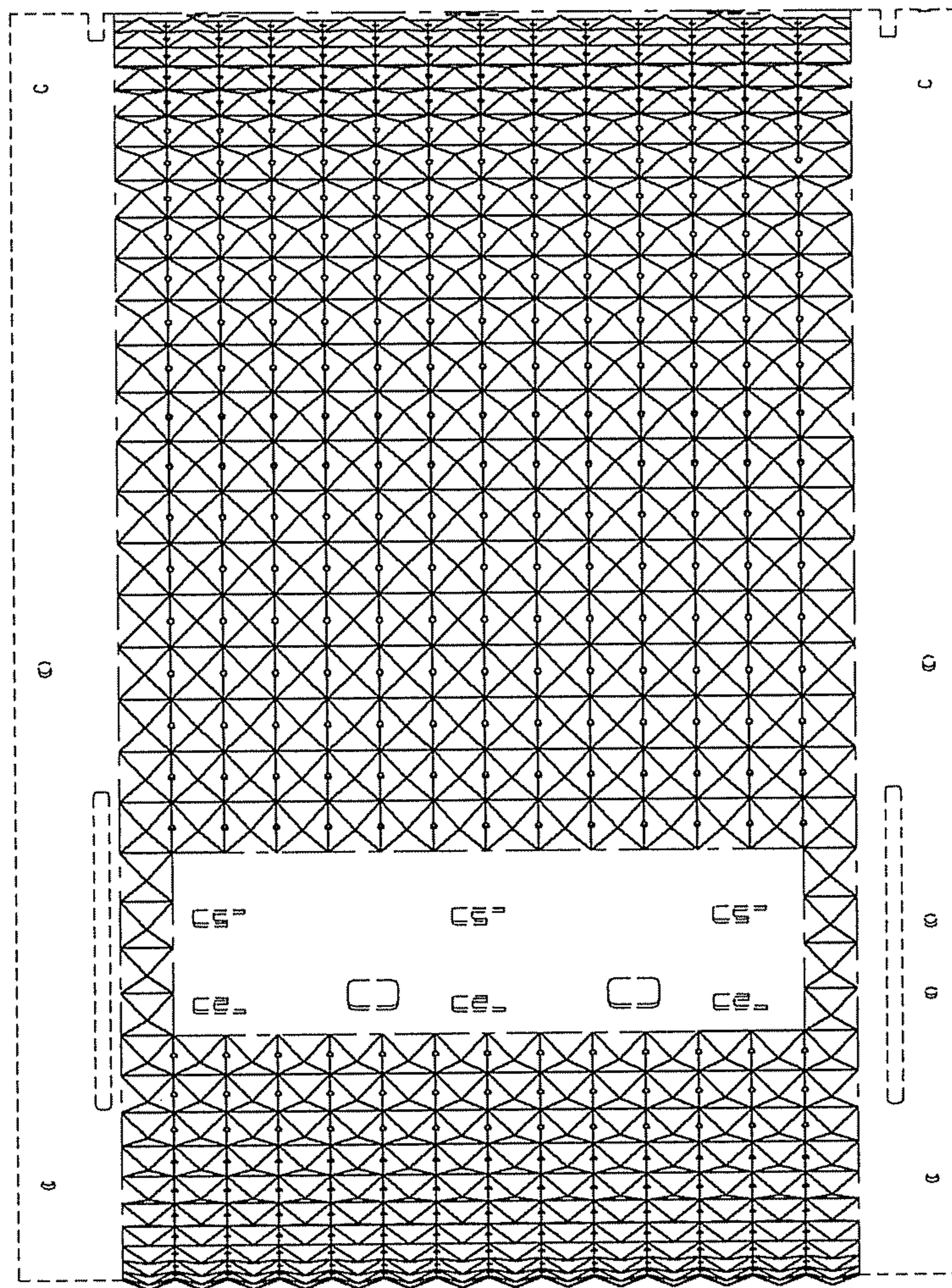


FIG. 5

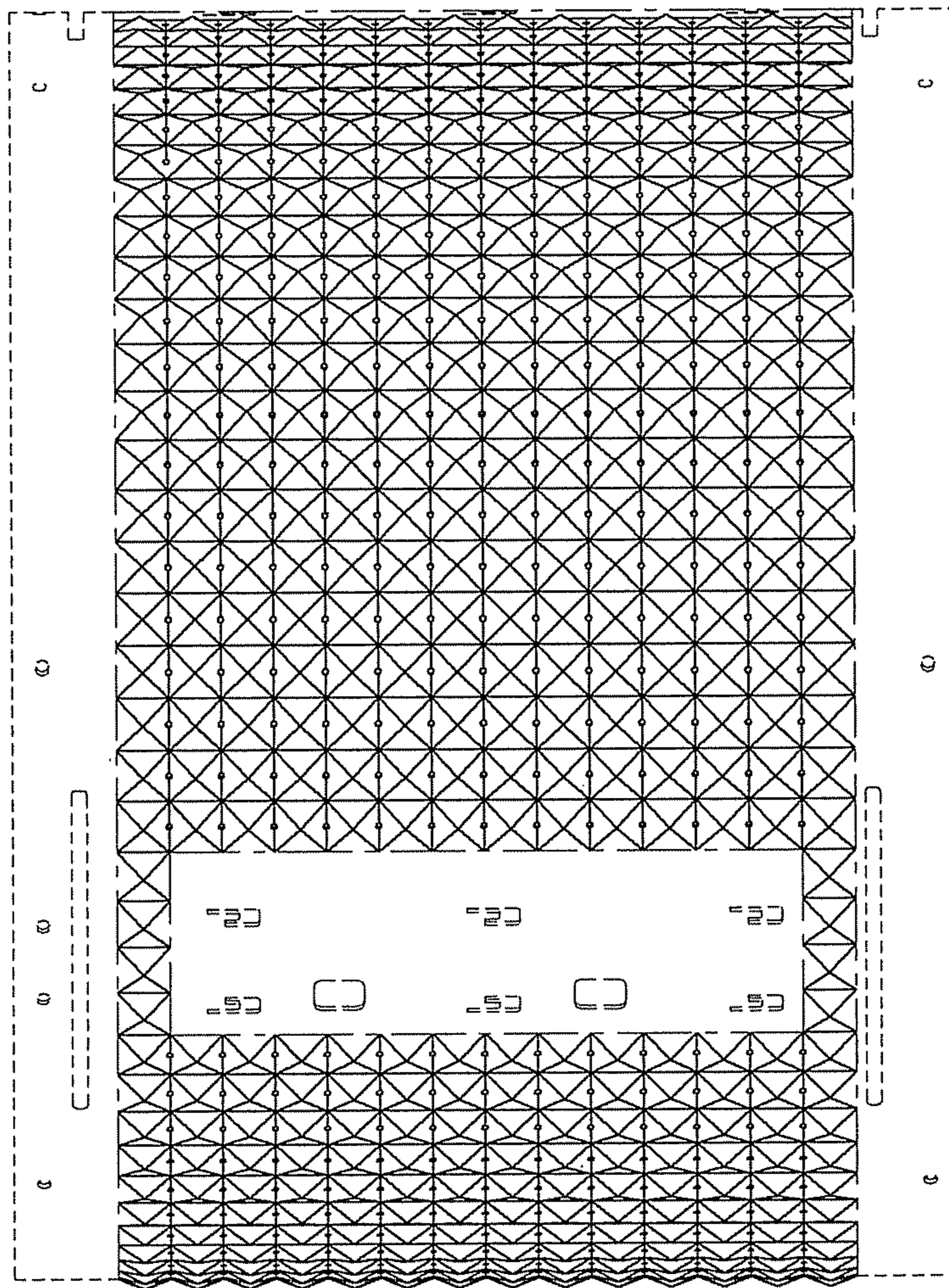




FIG. 6

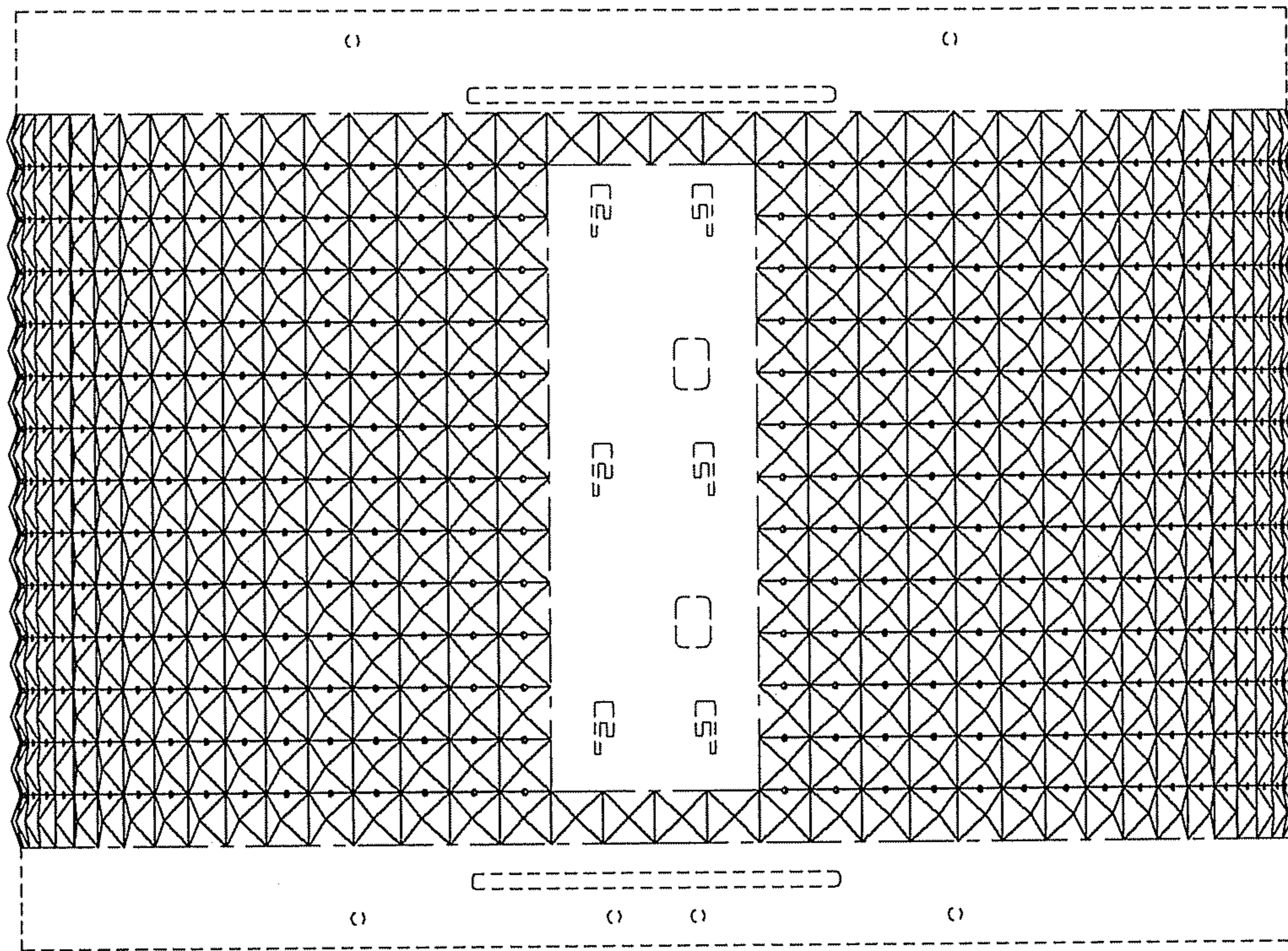


FIG. 7

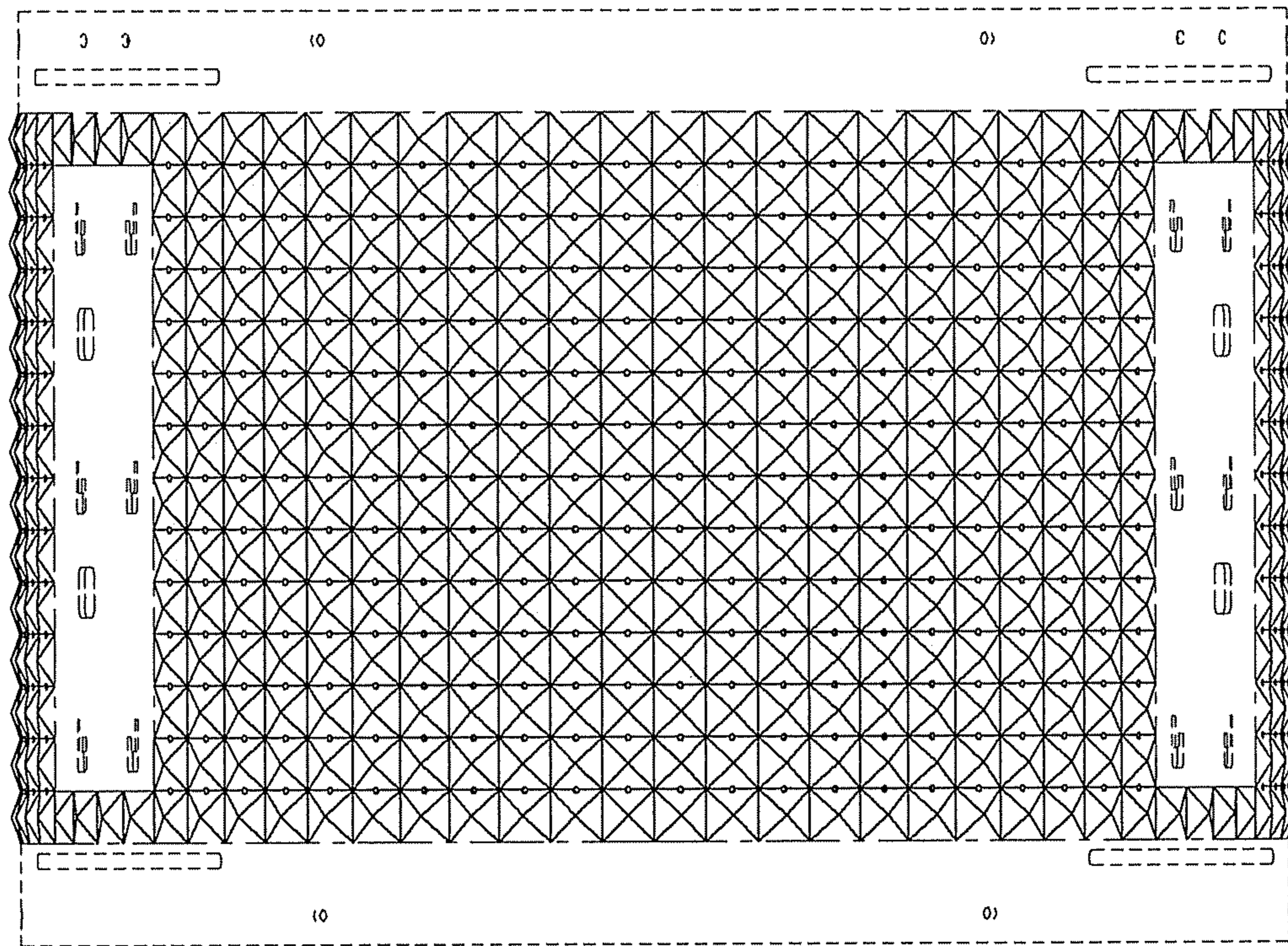




FIG. 8

