



US00D683088S

(12) **United States Design Patent**  
**Chung et al.**

(10) **Patent No.:** **US D683,088 S**

(45) **Date of Patent:** **\*\* May 21, 2013**

(54) **ELECTRIC WASHING MACHINE**

**FOREIGN PATENT DOCUMENTS**

(75) Inventors: **Wookjun Chung**, Seoul (KR); **Kyungah Lee**, Gyeonggi-do (KR); **Jeaseok Seong**, Gyeonggi-do (KR); **Yoonsang Kim**, Seoul (KR); **Yeji Um**, Seoul (KR)

KR	30-0512800	S	11/2008
KR	30-0530282	S	6/2009
KR	30-0547595	S	12/2009
KR	30-0570409	S	8/2010
KR	30-0570412	S	8/2010
KR	30-0577730	S	11/2010

\* cited by examiner

(73) Assignee: **LG Electronics Inc.**, Seoul (KR)

(\*\*) Term: **14 Years**

*Primary Examiner* — T. Chase Nelson  
*Assistant Examiner* — Kathleen M Sims

(21) Appl. No.: **29/430,240**

(74) *Attorney, Agent, or Firm* — Birch, Stewart, Kolasch & Birch, LLP

(22) Filed: **Aug. 23, 2012**

(57) **CLAIM**

The ornamental design for an electric washing machine, as shown and described.

(30) **Foreign Application Priority Data**

**DESCRIPTION**

Feb. 24, 2012 (KR) ..... 30-2012-0008872

(51) **LOC (9) Cl.** ..... **15-05**

(52) **U.S. Cl.**  
USPC ..... **D32/6**

(58) **Field of Classification Search** ..... D32/1,  
D32/5, 6, 8, 10; 68/3 R, 4, 5 R, 12.01, 12.07,  
68/12.08, 212; 34/87-88, 523-524  
See application file for complete search history.

FIG. 1 is a perspective view of an electric washing machine showing our new design;  
FIG. 2 is a front view thereof;  
FIG. 3 is a rear view thereof;  
FIG. 4 is a left side view thereof where the right side view is a mirror image;  
FIG. 5 is a top plan view thereof;  
FIG. 6 is a bottom plan view thereof;  
FIG. 7 is a reference perspective view thereof showing the state in which both the door at the upper part and the detergent box at the middle part have been open; and,  
FIG. 8 is a reference front view thereof showing the state in which the electric washing machine has been installed next to an electric laundry dryer and then the doors have been open. The broken line showing of bottom details in FIG. 6, the interior details of FIG. 7, and the second appliance and its details in FIG. 8 is included for the purpose of illustrating environmental portions of the washing machine and forms no part of the claimed design.

(56) **References Cited**

**U.S. PATENT DOCUMENTS**

D152,550	S	*	2/1949	Little	.....	D32/6
D193,066	S	*	6/1962	Dreyfuss et al.	.....	D32/6
D465,307	S	*	11/2002	Du et al.	.....	D32/6
D520,193	S	*	5/2006	Yokoyama	.....	D32/5
D606,267	S	*	12/2009	Shor	.....	D32/6
D614,366	S	*	4/2010	Shor	.....	D32/6
D627,529	S	*	11/2010	Jeon et al.	.....	D32/6
D633,262	S	*	2/2011	Jeon et al.	.....	D32/6
D642,753	S	*	8/2011	Ha	.....	D32/6
D664,313	S	*	7/2012	Chung et al.	.....	D32/6

**1 Claim, 8 Drawing Sheets**

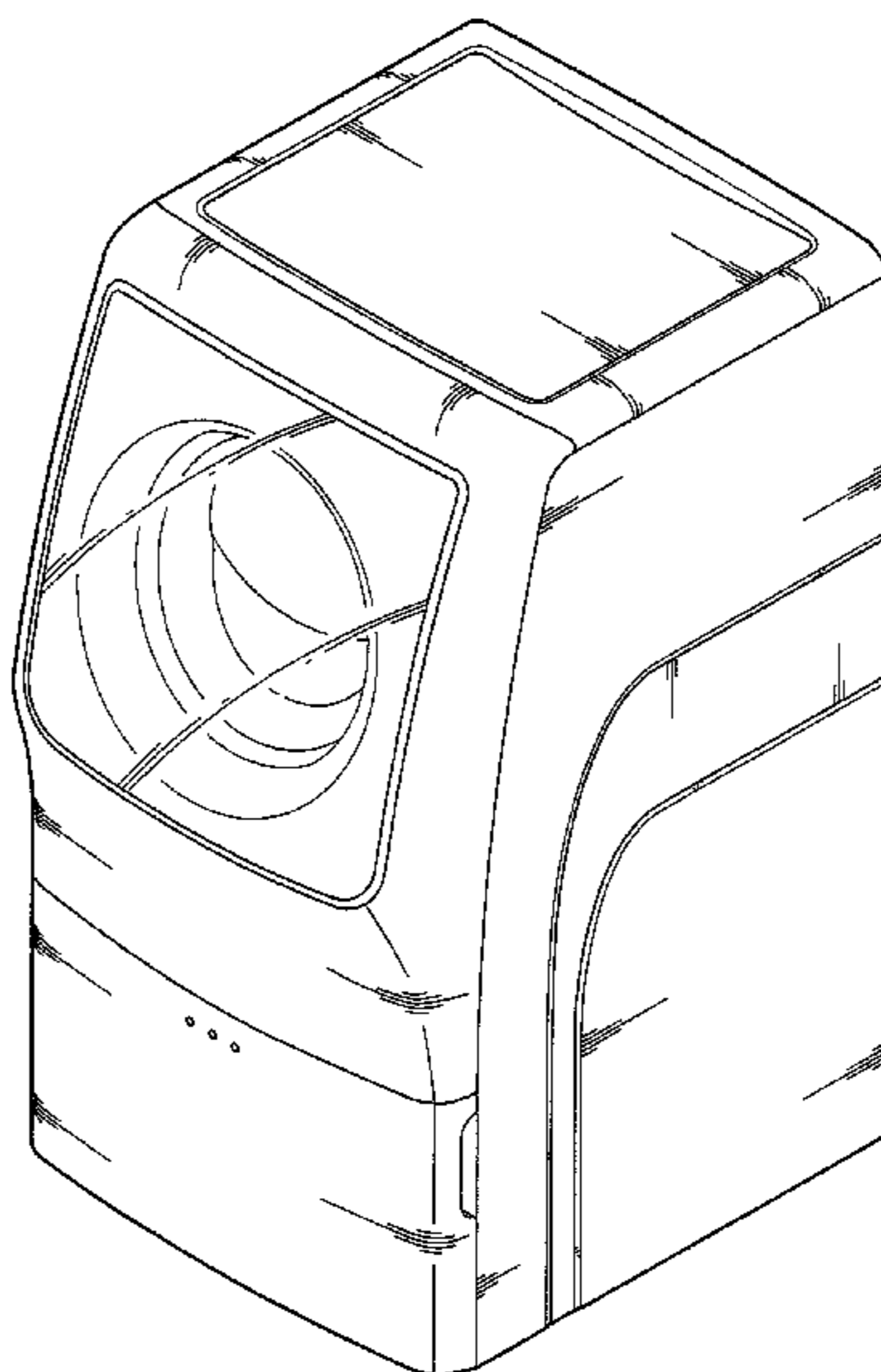


FIG. 1

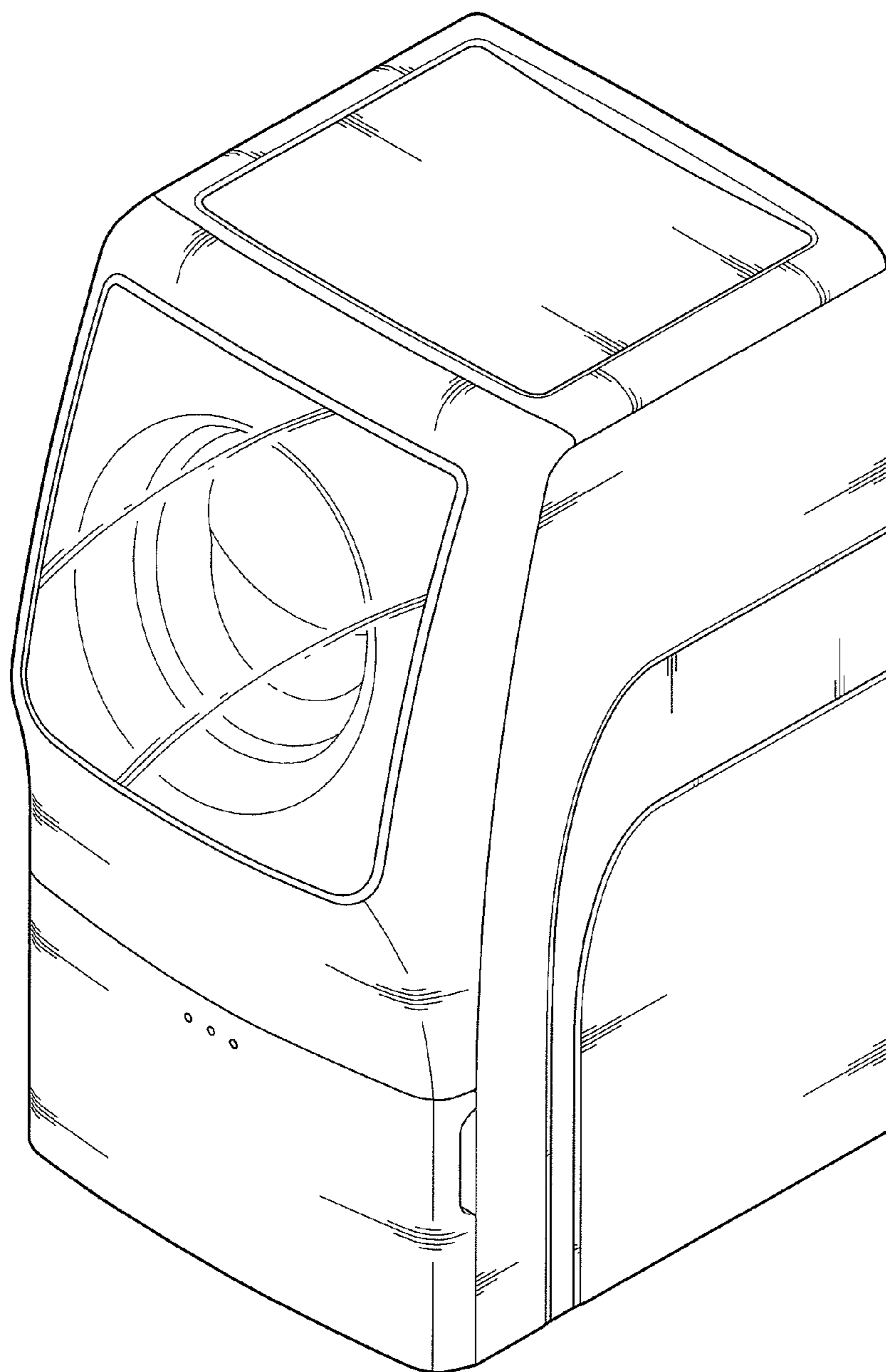


FIG. 2

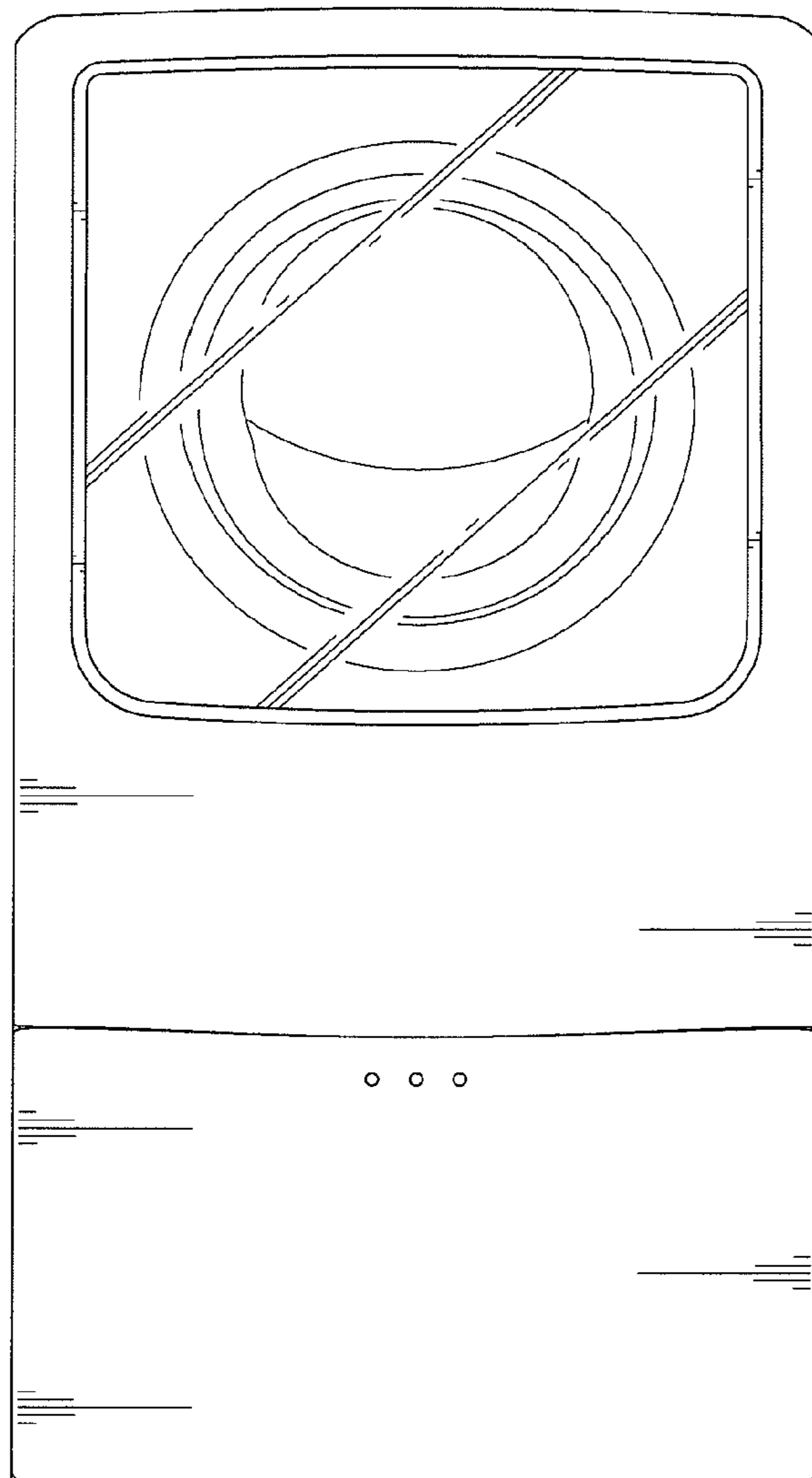


FIG. 3

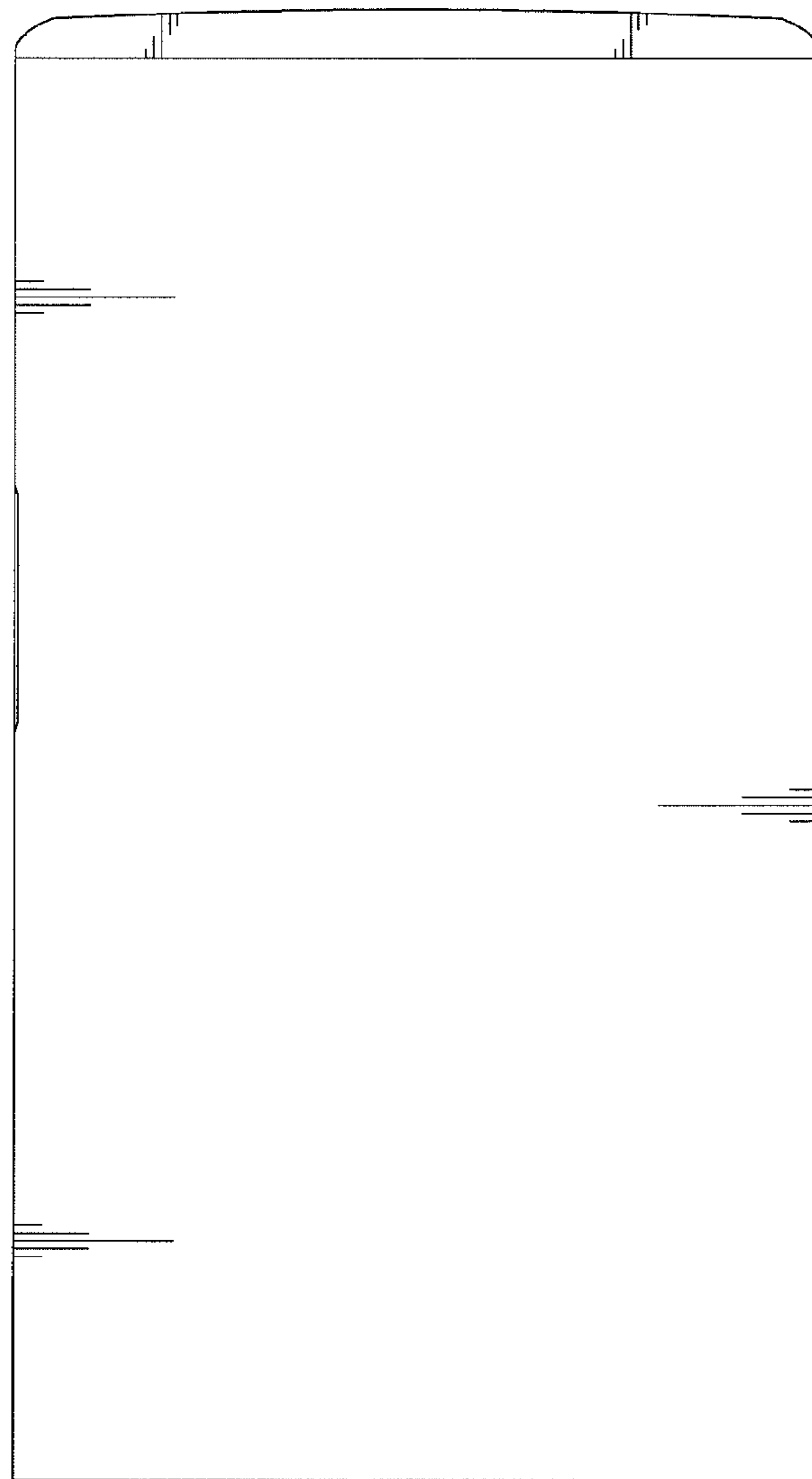


FIG. 4

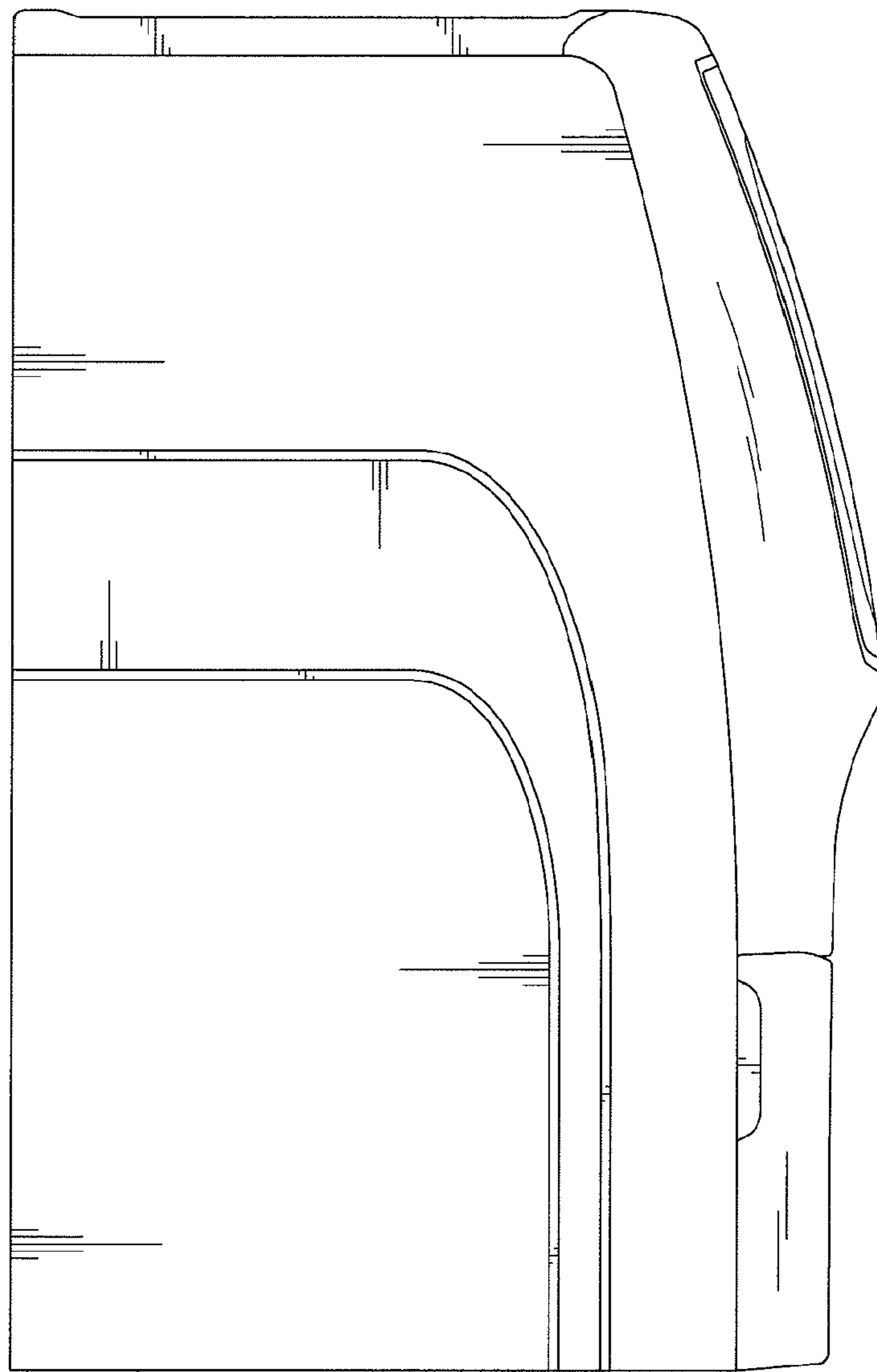


FIG. 5

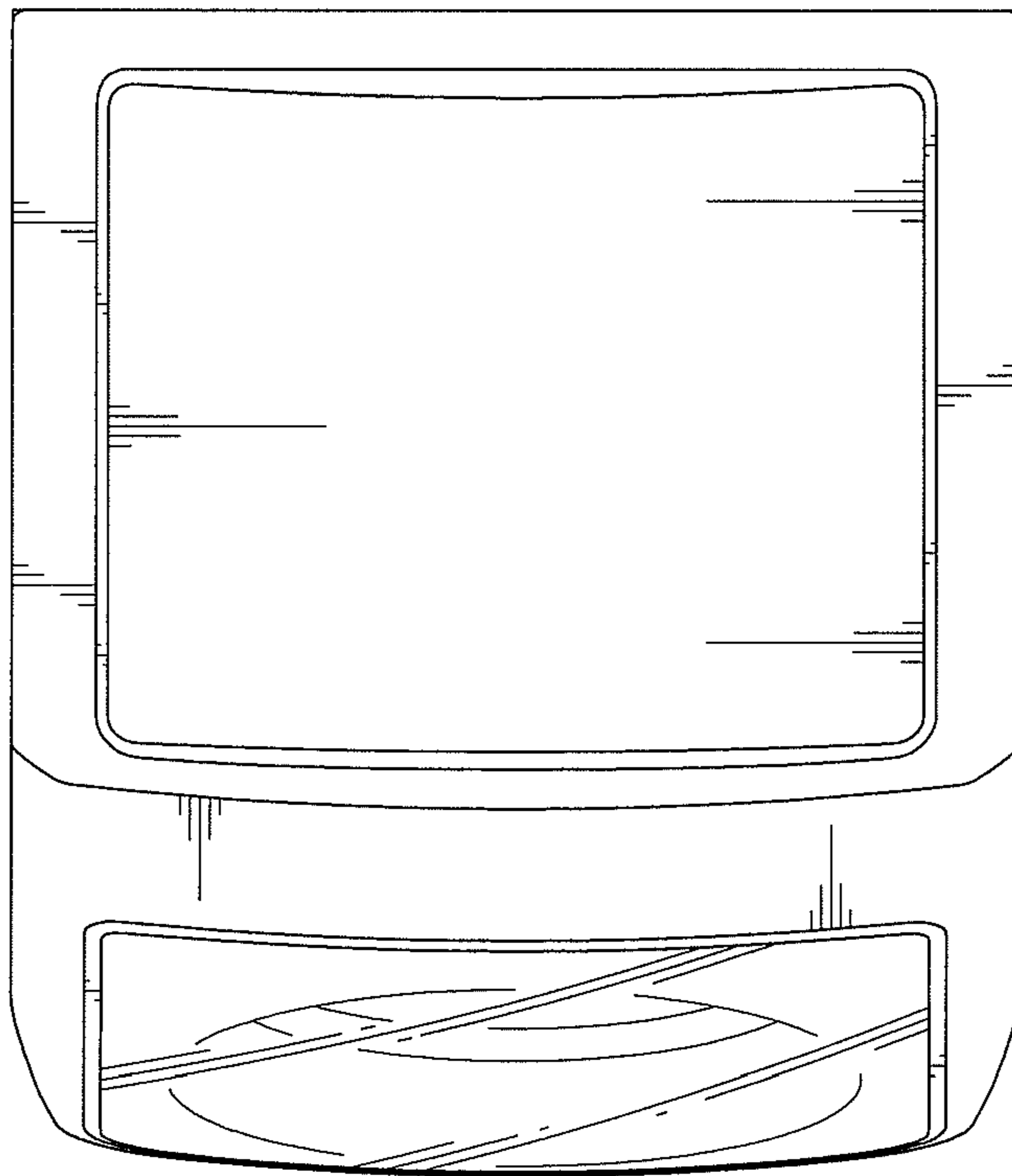


FIG. 6

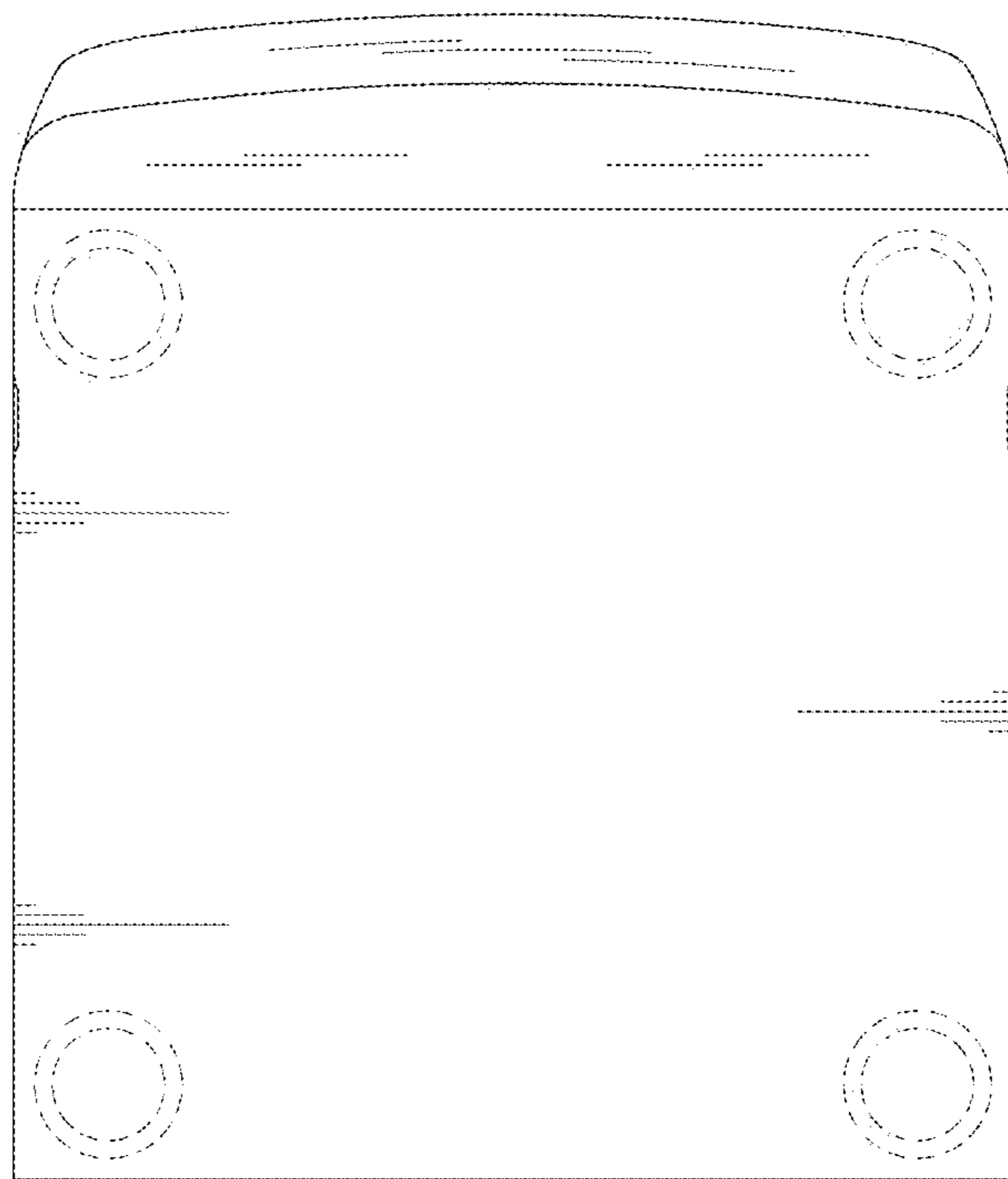




FIG. 7

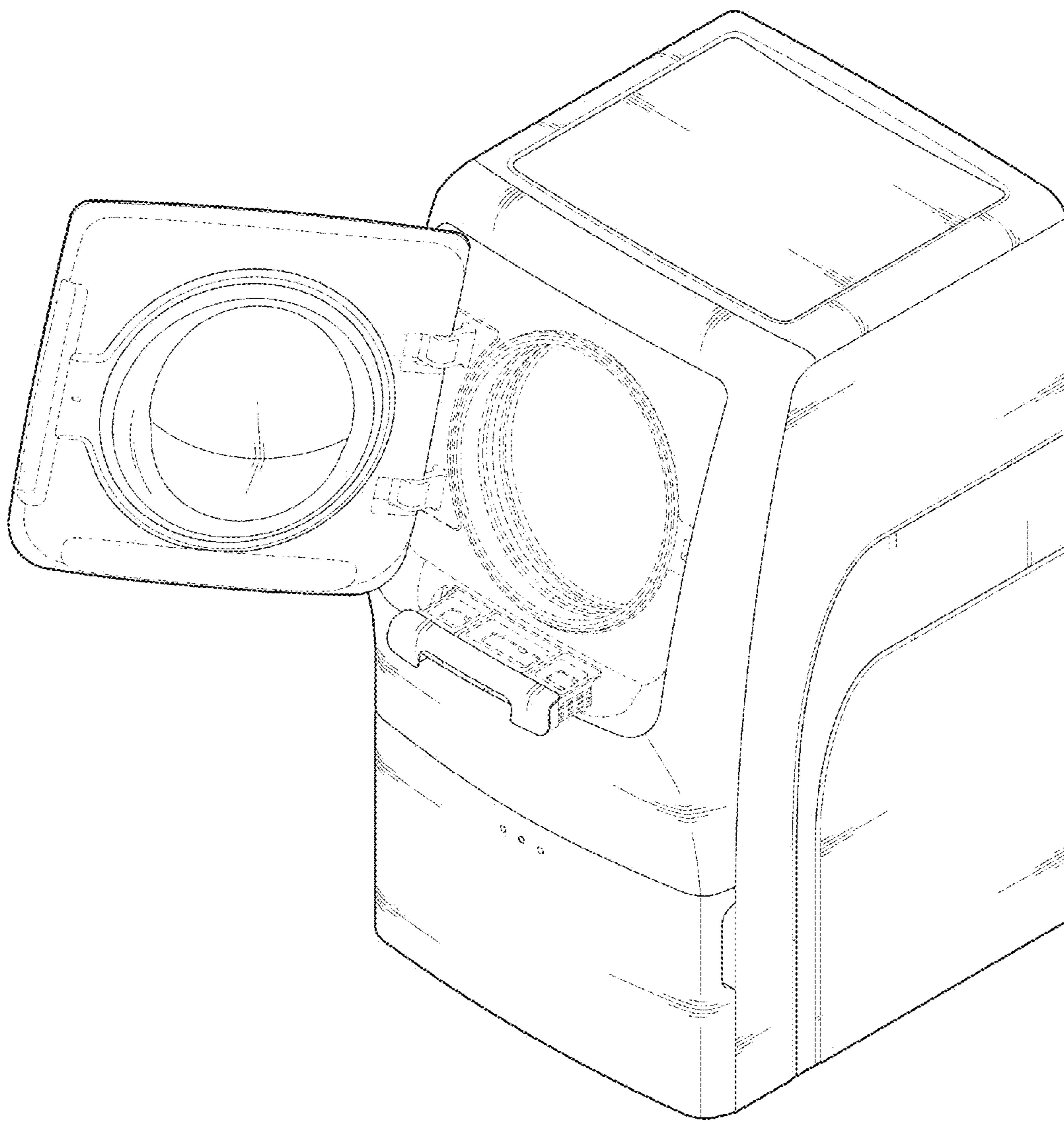




FIG. 8

