



US00D683087S

(12) **United States Design Patent**  
**Clores**

(10) **Patent No.:** **US D683,087 S**

(45) **Date of Patent:** **\*\* May 21, 2013**

(54) **COMBINATION BUSSING AND WASHING TRAY**

(75) Inventor: **Edgardo Clores**, Las Vegas, NV (US)

(73) Assignee: **B.I.E.J.C. Holding, LLC**, Las Vegas, NV (US)

(\*\*) Term: **14 Years**

(21) Appl. No.: **29/418,886**

(22) Filed: **Apr. 23, 2012**

D259,294	S	*	5/1981	Box	.....	D3/311
D261,193	S	*	10/1981	Cornou	.....	D3/311
D261,194	S	*	10/1981	Box	.....	D3/313
4,308,966	A	*	1/1982	Ettema et al.	.....	220/516
4,512,489	A	*	4/1985	Green et al.	.....	220/488
4,978,002	A	*	12/1990	Apps et al.	.....	206/201
5,385,261	A	*	1/1995	Lippisch et al.	.....	220/572
5,605,236	A	*	2/1997	Welch	.....	211/41.8
6,726,031	B2	*	4/2004	Laupan	.....	211/41.8
D635,364	S	*	4/2011	Benetti et al.	.....	D3/313
2007/0144926	A1	*	6/2007	Bettenhausen et al.	.....	206/363
2011/0253649	A1	*	10/2011	Clores	.....	211/41.8
2012/0055891	A1	*	3/2012	Clores	.....	211/41.8

\* cited by examiner

**Related U.S. Application Data**

(60) Continuation of application No. 13/027,995, filed on Feb. 15, 2011, which is a division of application No. 12/762,850, filed on Apr. 19, 2010.

(51) **LOC (9) Cl.** ..... **15-05**

(52) **U.S. Cl.**  
USPC ..... **D32/3**

(58) **Field of Classification Search** ..... D32/1, D32/2, 3, 25, 55; D3/309-314; 134/56 D, 134/57 D, 58 D; 220/487-488, 507, 572; 206/507-509, 564; 211/41.3, 41.8, 85.25  
See application file for complete search history.

(56) **References Cited**

**U.S. PATENT DOCUMENTS**

263,116	A	*	8/1882	Close	.....	217/19
2,944,696	A	*	7/1960	Effgen	.....	220/507
D201,383	S	*	6/1965	Kesilman	.....	D32/3
3,217,890	A	*	11/1965	Maslow	.....	211/41.8
3,266,632	A	*	8/1966	Maslow	.....	211/41.8
3,392,869	A	*	7/1968	Needt	.....	220/518
3,858,746	A	*	1/1975	Hirota	.....	220/516
D259,174	S	*	5/1981	Box	.....	D3/311

*Primary Examiner* — T. Chase Nelson

*Assistant Examiner* — Kathleen M Sims

(74) *Attorney, Agent, or Firm* — Weiss & Moy, P.C.; Jeffrey D. Moy

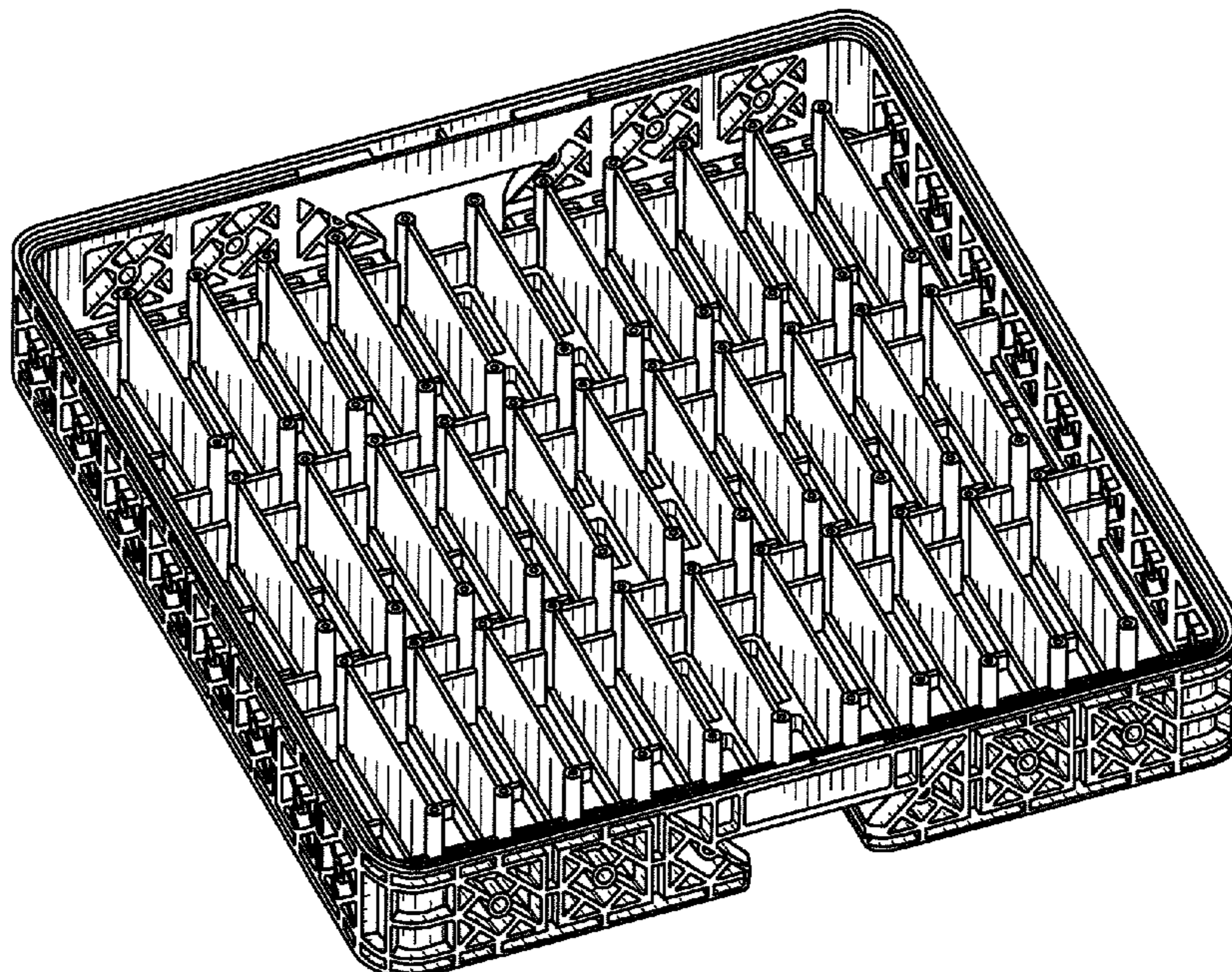
(57) **CLAIM**

The ornamental design for a combination bussing and washing tray, as shown and described.

**DESCRIPTION**

FIG. 1 is a perspective view of the combination bussing and washing tray;  
FIG. 2 is a first side view of the combination bussing and washing tray;  
FIG. 3 is a second side view of the combination bussing and washing tray;  
FIG. 4 is a third side view of the combination bussing and washing tray;  
FIG. 5 is a fourth side view of the combination bussing and washing tray; and,  
FIG. 6 is a top view of the combination bussing and washing tray.

**1 Claim, 3 Drawing Sheets**



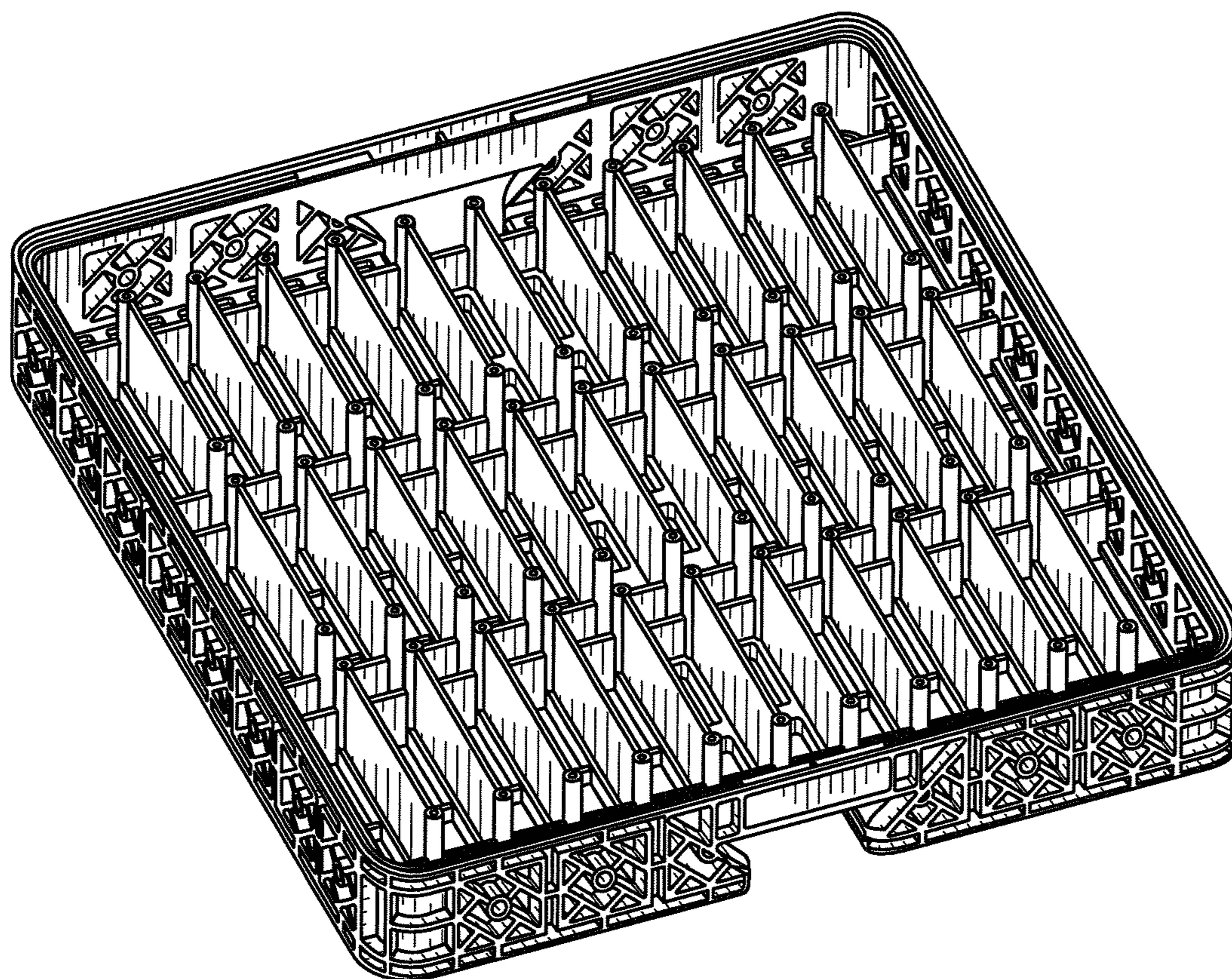


FIG. 1

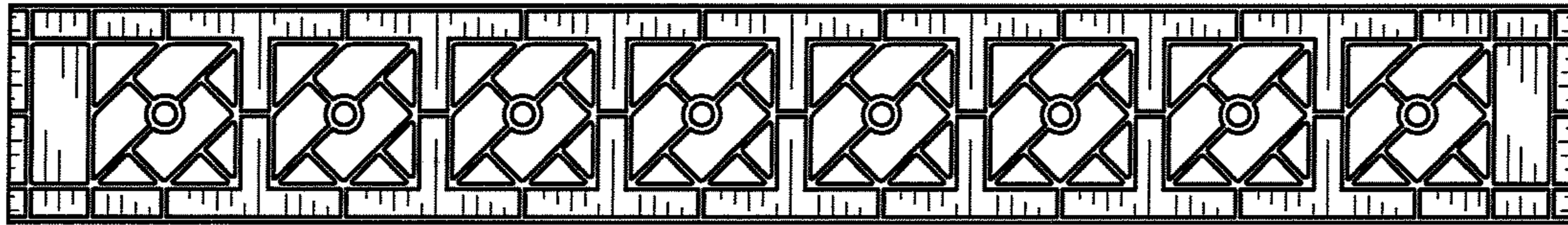


FIG. 2

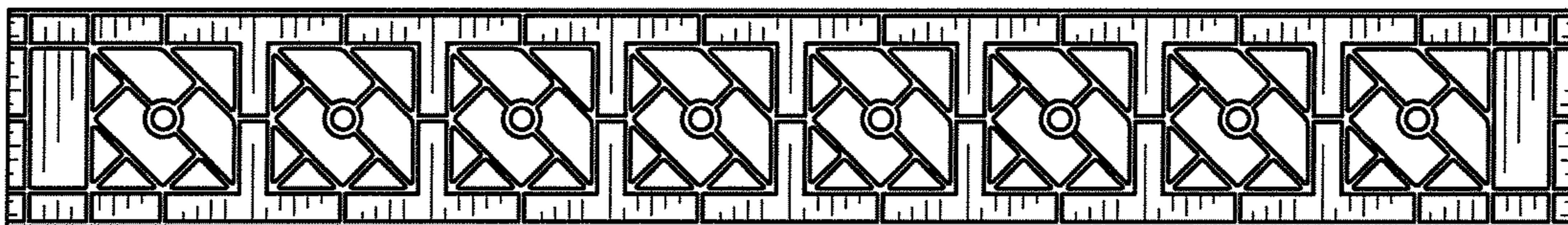


FIG. 3

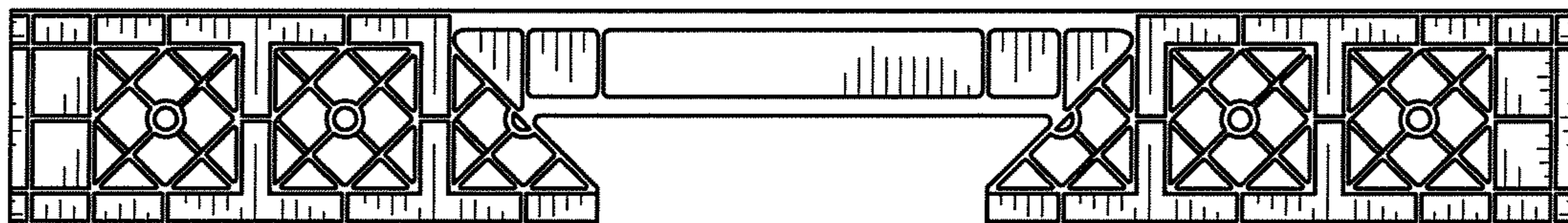


FIG. 4

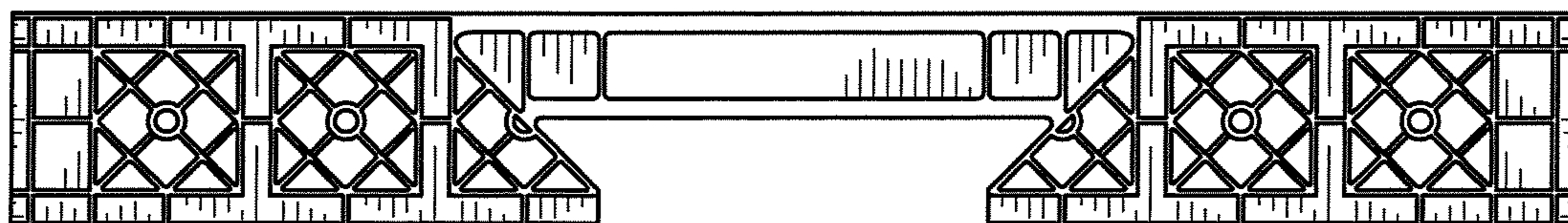


FIG. 5

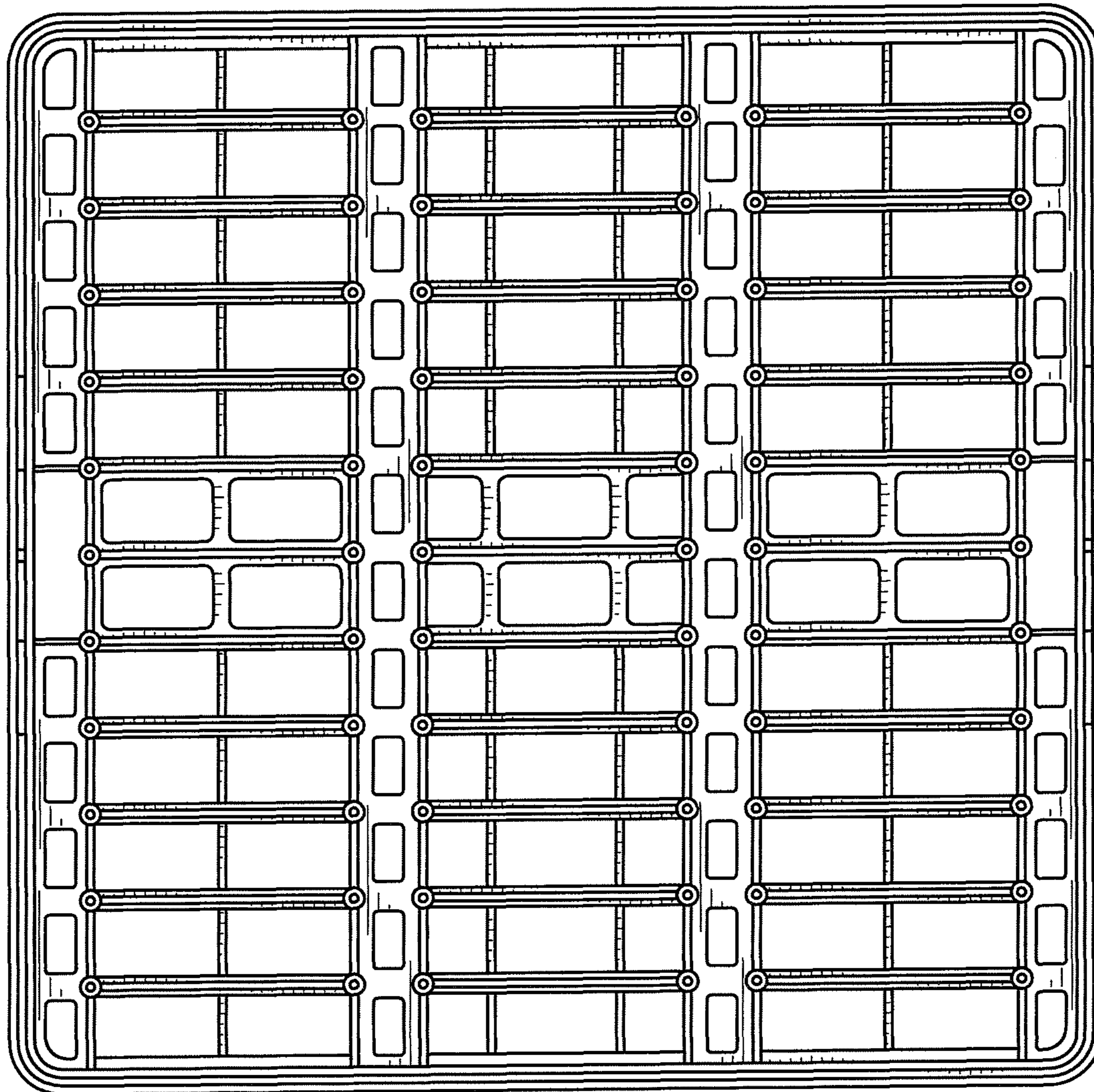


FIG. 6