

US00D683086S

(12) **United States Design Patent**
Wormely

(10) **Patent No.:** **US D683,086 S**

(45) **Date of Patent:** **** May 21, 2013**

- (54) **WHISTLE CLEANING DEVICE**
- (75) Inventor: **Stanley Quinn Wormely**, Leeds, AL (US)
- (73) Assignee: **Stanley Q. Wormely**, Leeds, AL (US)
- (**) Term: **14 Years**
- (21) Appl. No.: **29/421,781**
- (22) Filed: **Feb. 28, 2011**
- (51) **LOC (9) Cl.** **15-05**
- (52) **U.S. Cl.**
USPC **D32/1**
- (58) **Field of Classification Search** D32/1;
D24/217-218; 134/117, 201; 15/1, 1.51,
15/104.001; 206/83; 366/127
See application file for complete search history.

- D510,464 S * 10/2005 Christianson D32/1
- D527,854 S * 9/2006 Marzynski D32/21
- D554,934 S * 11/2007 Picozza et al. D7/354
- 7,348,572 B2 * 3/2008 Shin 250/455.11
- D629,529 S * 12/2010 Russell et al. D24/217
- 2012/0103367 A1 * 5/2012 Tang 134/18

* cited by examiner

Primary Examiner — T. Chase Nelson
Assistant Examiner — Kathleen M Sims

(57) **CLAIM**

The ornamental design for a whistle cleaning device, as shown and described.

DESCRIPTION

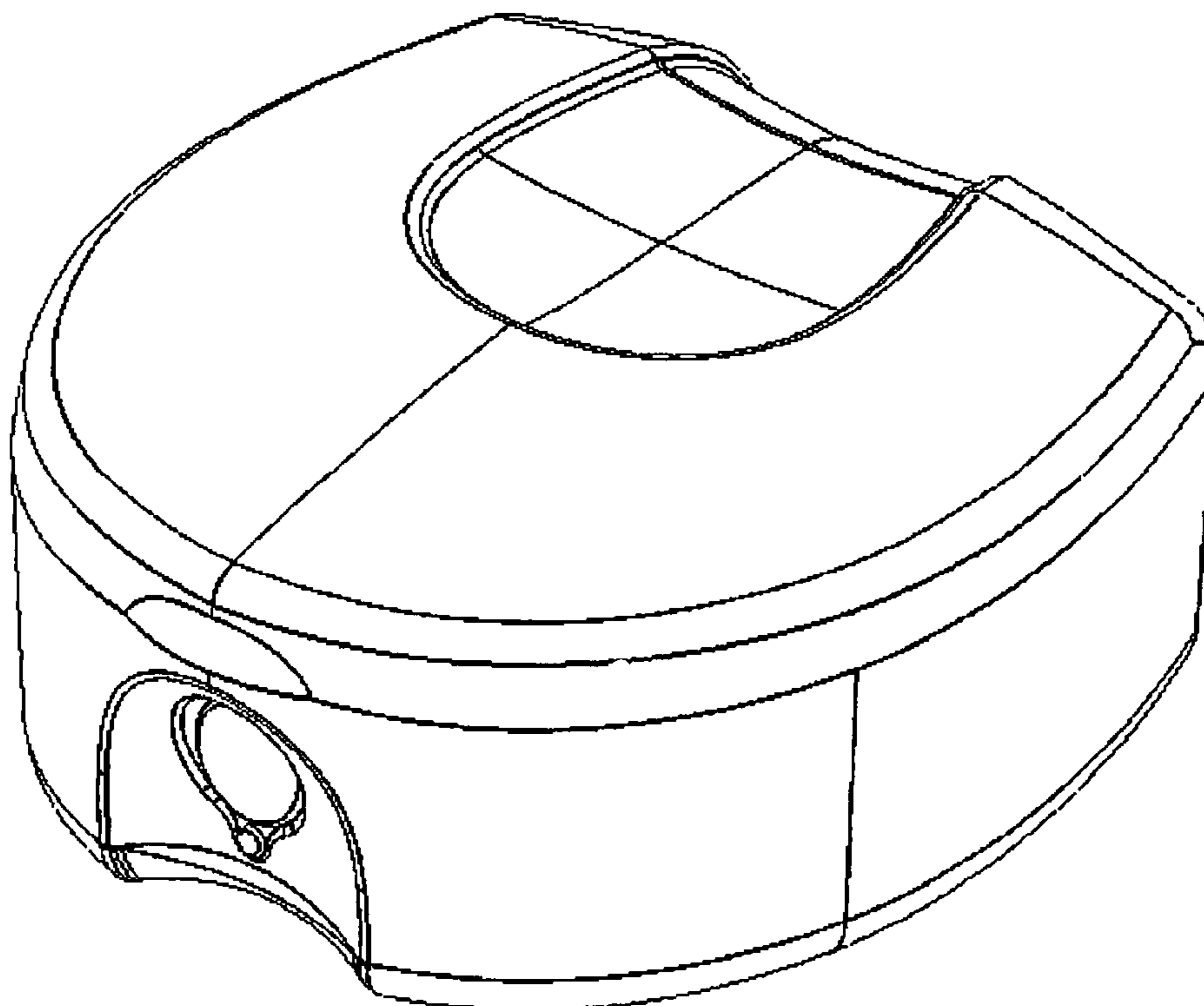
FIG. 1 is a top plan view of a whistle cleaning device showing my new design;
 FIG. 2 is a front elevational view thereof;
 FIG. 3 is a bottom plan view thereof;
 FIG. 4 is a right side elevational view, the right side being a mirror image thereof;
 FIG. 5 is a rear elevational plan view thereof;
 FIG. 6 is a rear perspective view thereof; and,
 FIG. 7 is a top perspective view thereof shown in an open configuration.
 The broken line showing of details in FIGS. 3 and 7 are included for the purpose of showing environmental portions of the whistle cleaning device and forms no part of the claimed design.

(56) **References Cited**

U.S. PATENT DOCUMENTS

- D185,838 S * 8/1959 Allemang D32/21
- D212,257 S * 9/1968 Schaefer et al. D32/23
- D256,391 S * 8/1980 Thomas et al. D24/218
- D256,392 S * 8/1980 Thomas et al. D24/218
- D257,789 S * 1/1981 Thomas et al. D24/218
- D330,086 S * 10/1992 Chen D24/218
- D354,070 S * 1/1995 Chen D24/218
- D410,091 S * 5/1999 Rehmeier et al. D24/218
- D459,036 S * 6/2002 Bredo et al. D32/1
- D477,442 S * 7/2003 Christianson D32/1

1 Claim, 7 Drawing Sheets



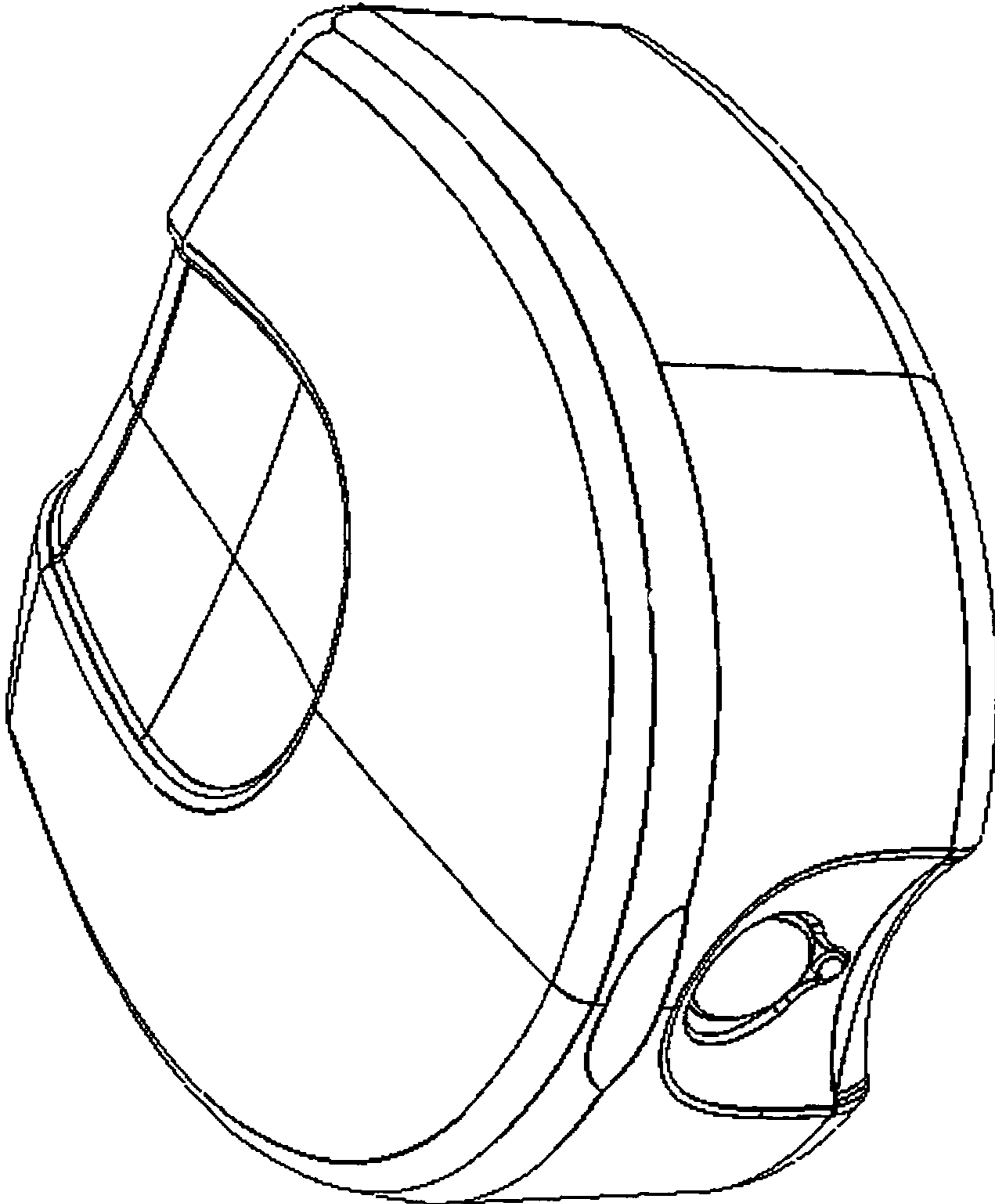


FIG. 1

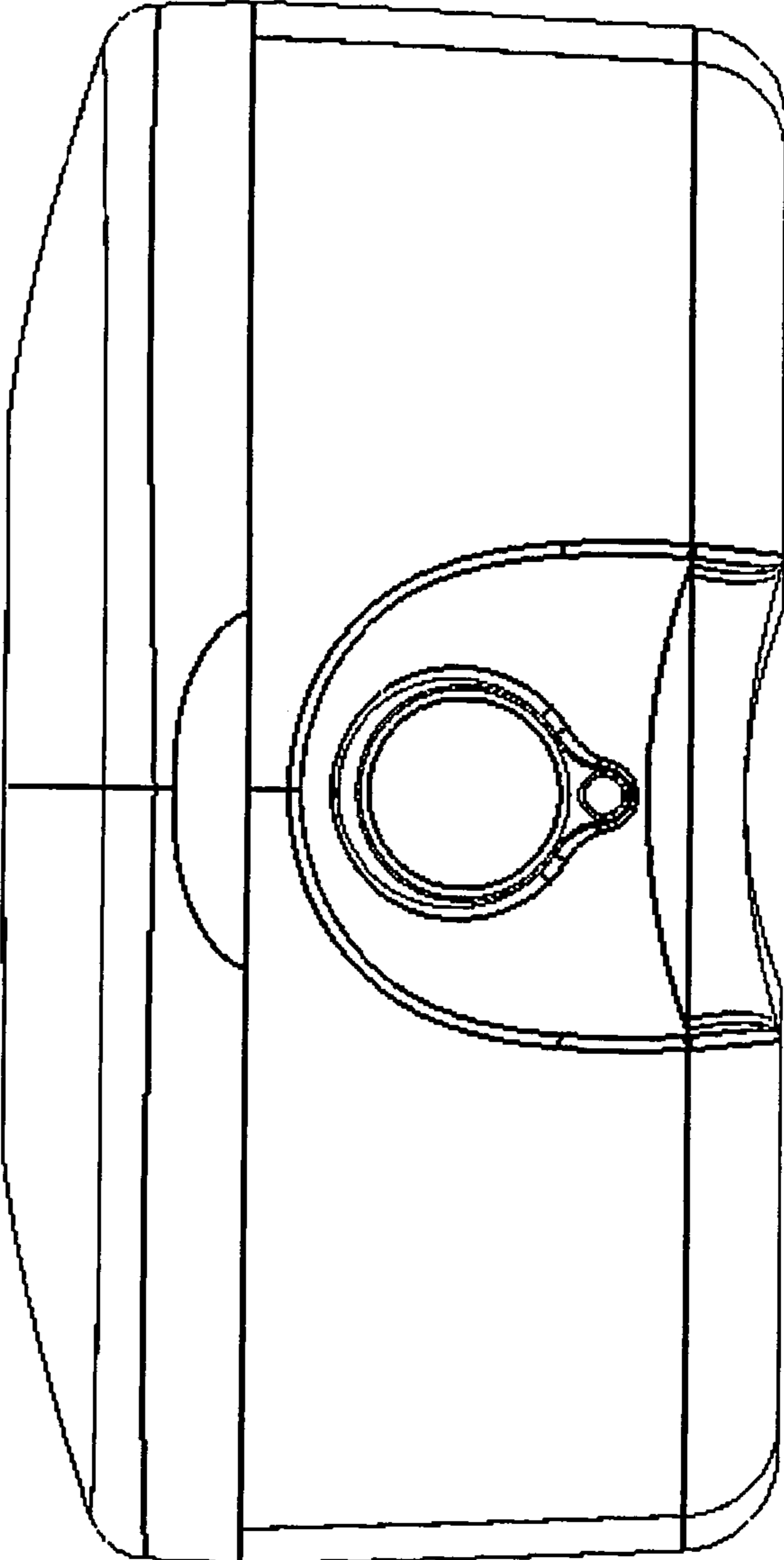


FIG. 2

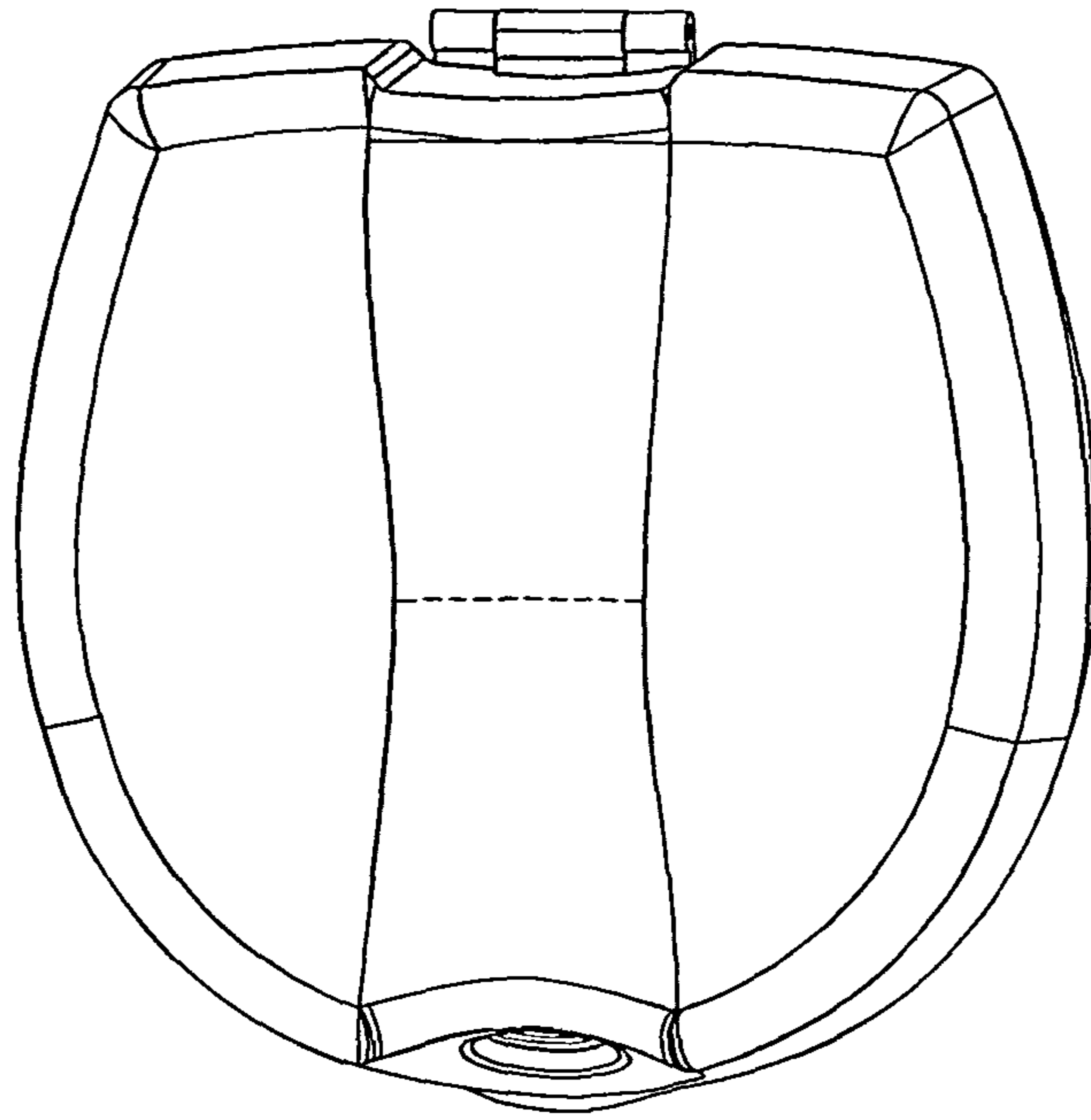


FIG. 3

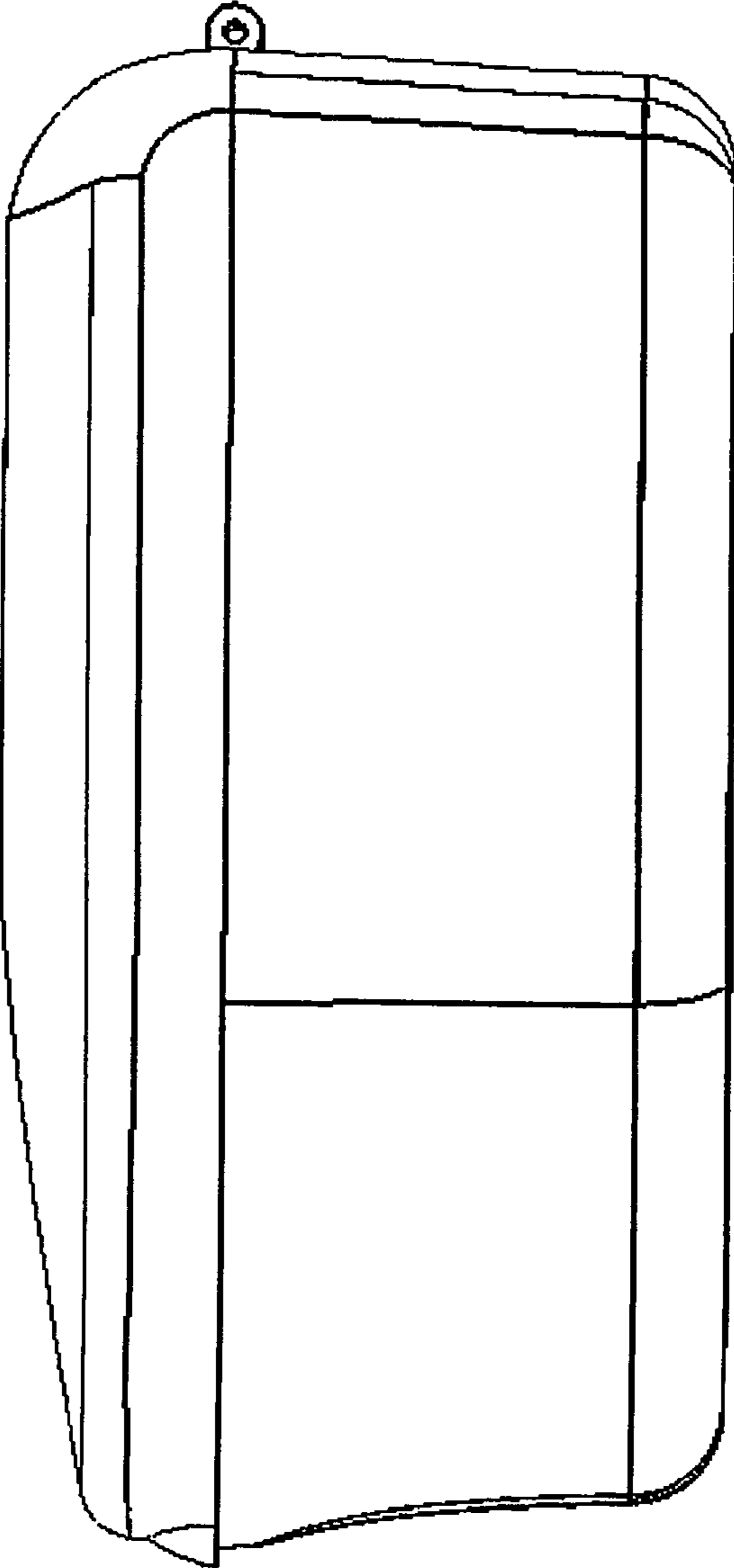


FIG. 4

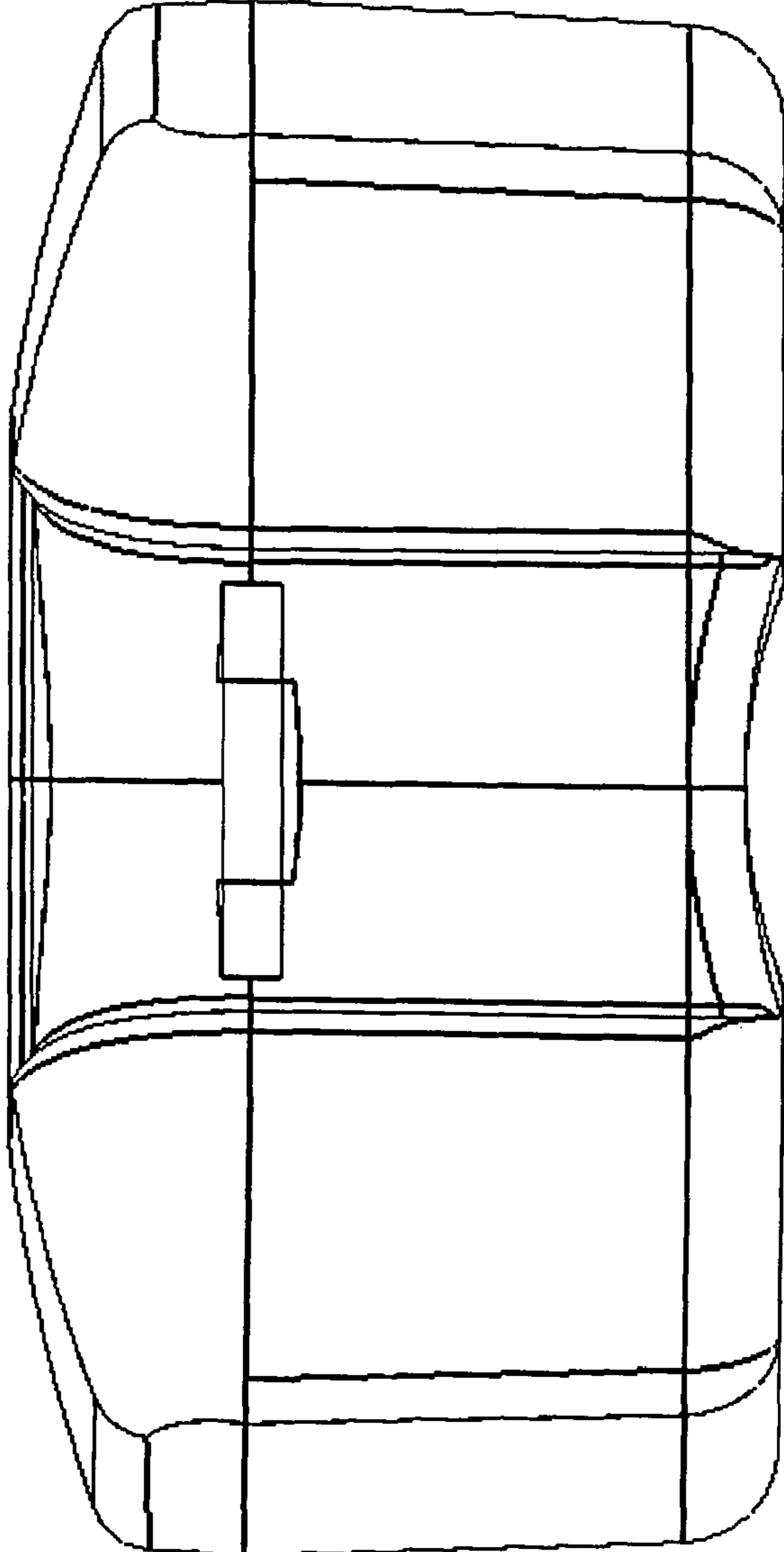


FIG. 5

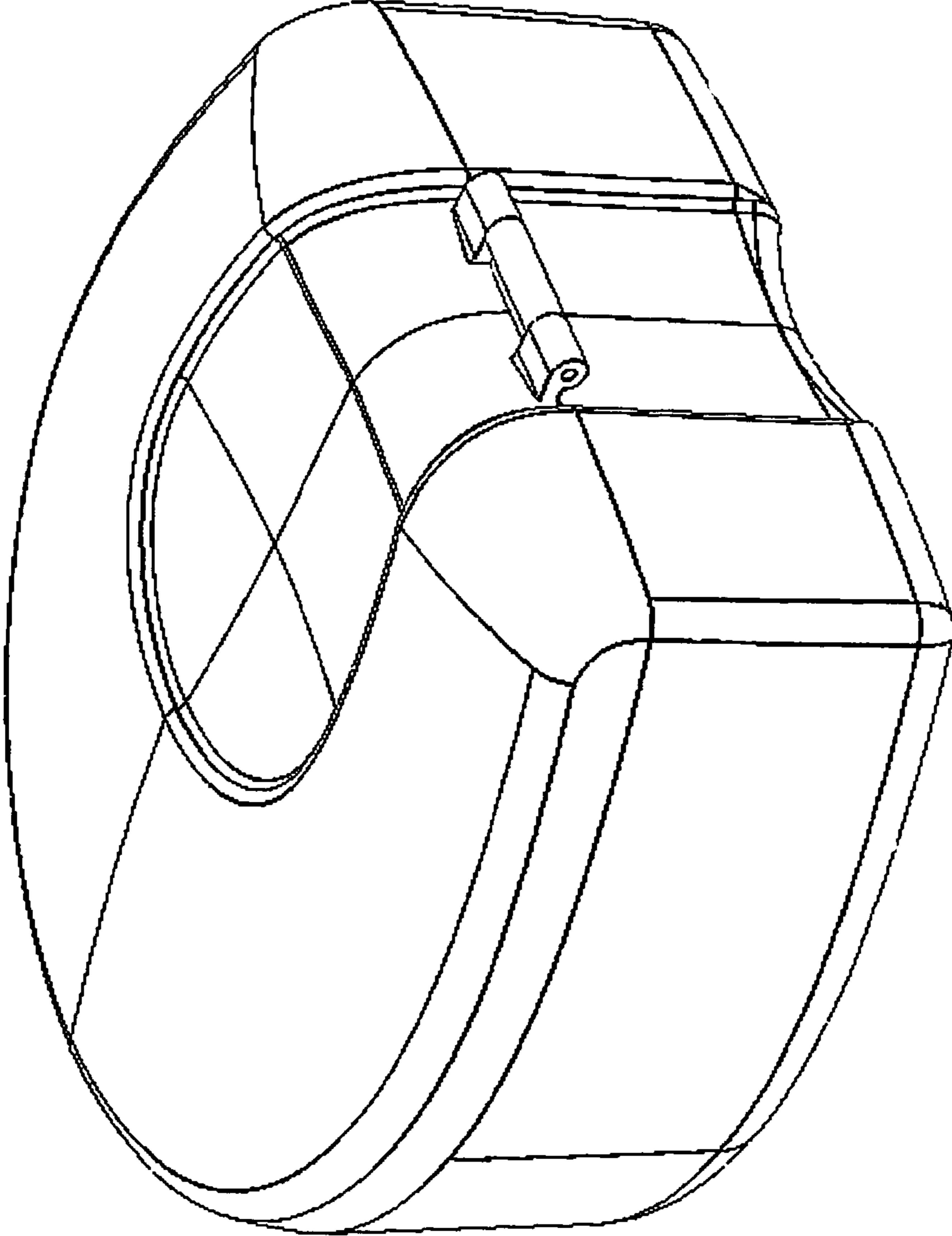


FIG. 6

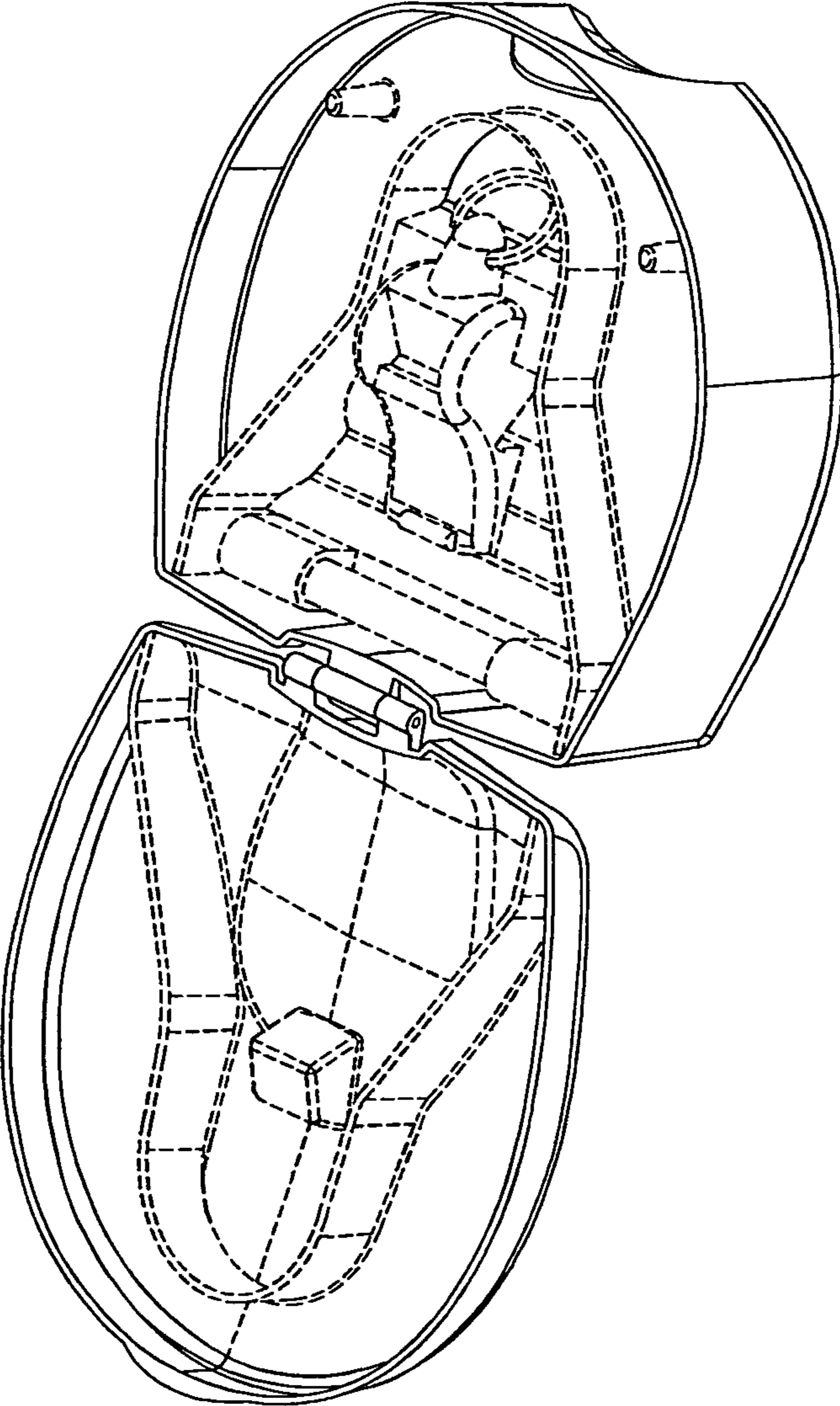


FIG. 7