



US00D683082S

(12) **United States Design Patent**
Jenkins

(10) **Patent No.:** **US D683,082 S**

(45) **Date of Patent:** **** May 21, 2013**

(54) **HORSE BIT**

(75) Inventor: **Brian Jenkins**, Pearcedale (AU)

(73) Assignee: **Iqonic Pty. Ltd.** (AU)

(**) Term: **14 Years**

(21) Appl. No.: **29/406,428**

(22) Filed: **Nov. 14, 2011**

(30) **Foreign Application Priority Data**

May 13, 2011 (AU) 12178/2011

(51) **LOC (9) Cl.** **30-04**

(52) **U.S. Cl.**
USPC **D30/136**

(58) **Field of Classification Search** D30/136-140;
54/6.1, 6.2, 7-9, 15, 71; 119/833

See application file for complete search history.

(56) **References Cited**

U.S. PATENT DOCUMENTS

28,563	A	6/1860	Crane	
63,156	A *	3/1867	Hayden	54/8
150,696	A *	5/1874	Mason	54/8
157,340	A	12/1874	Mellor	
243,042	A *	6/1881	Hayden	54/7
279,171	A	6/1883	Longcor	
295,028	A	3/1884	Longcor	
309,660	A	12/1884	Squier	
422,529	A	3/1890	Johnson et al.	
529,022	A	11/1894	Cruger	
577,001	A	2/1897	Bigelow	
670,248	A	3/1901	Raymond	
801,436	A	10/1905	Atherton	

(Continued)

FOREIGN PATENT DOCUMENTS

DE	15090	3/1881
DE	50610	7/1889
DE	731048	2/1943
WO	03/018463	3/2003

OTHER PUBLICATIONS

Iqonic Triabit—Triabit Racing. © 2005 Animalcare. [Retrieved on Nov. 20, 2012]. Retrieved from the Internet <URL: <http://www.animalcare.net.au/p/5896222/bit---triabit-racing.html>>.*

(Continued)

Primary Examiner — Susan M Lee

Assistant Examiner — Linda G Brooks

(74) *Attorney, Agent, or Firm* — SAIDMAN Designlaw Group

(57) **CLAIM**

The ornamental design for a horse bit, as shown and described.

DESCRIPTION

FIG. 1 is a perspective view of a first embodiment of horse bit showing my new design;

FIG. 2 is a top view thereof;

FIG. 3 is a front view thereof;

FIG. 4 is a bottom view thereof;

FIG. 5 is a rear view thereof;

FIG. 6 is a left side view thereof, the right side view being a mirror image;

FIG. 7 is a perspective view of a second embodiment thereof;

FIG. 8 is a top view thereof;

FIG. 9 is a front view thereof;

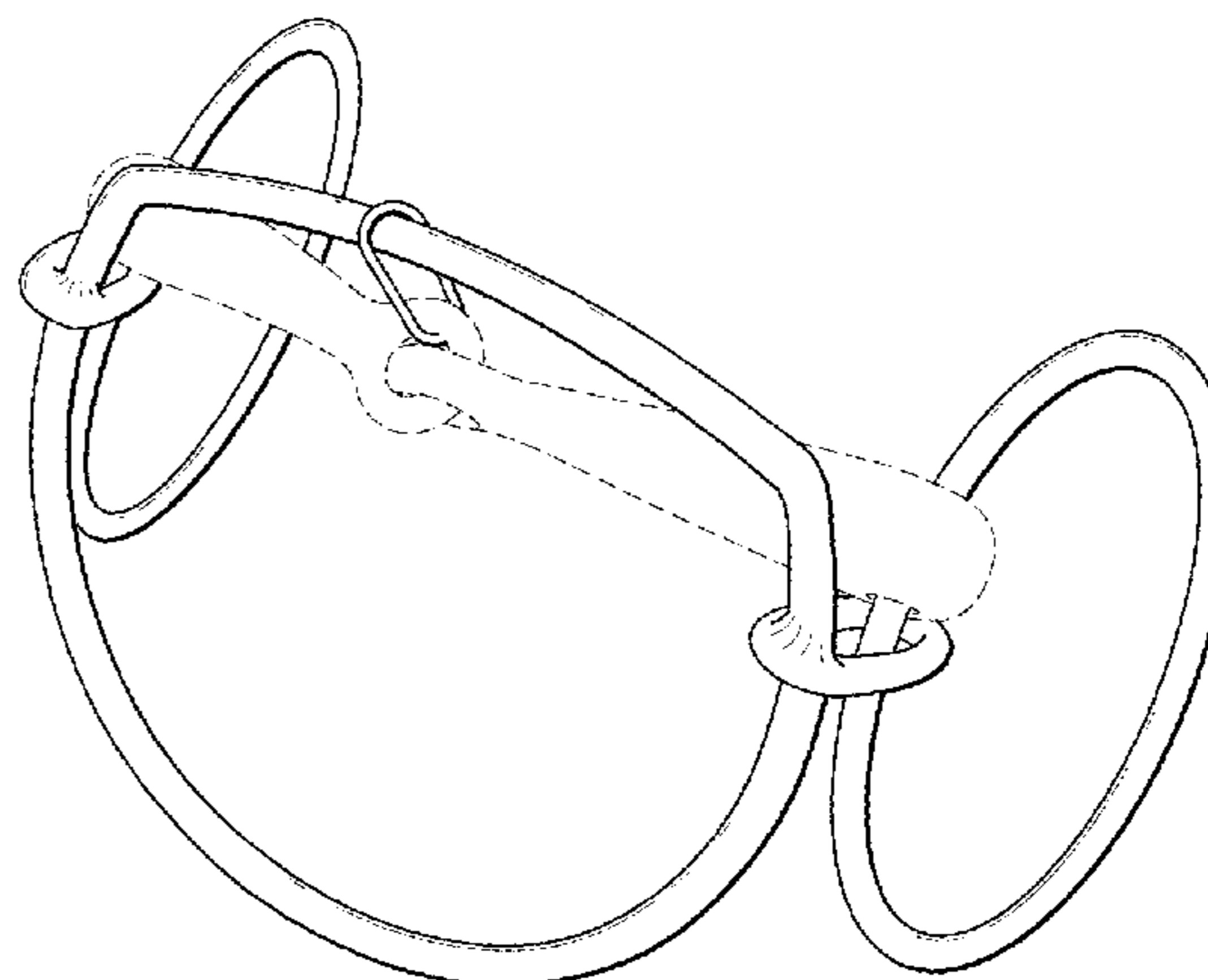
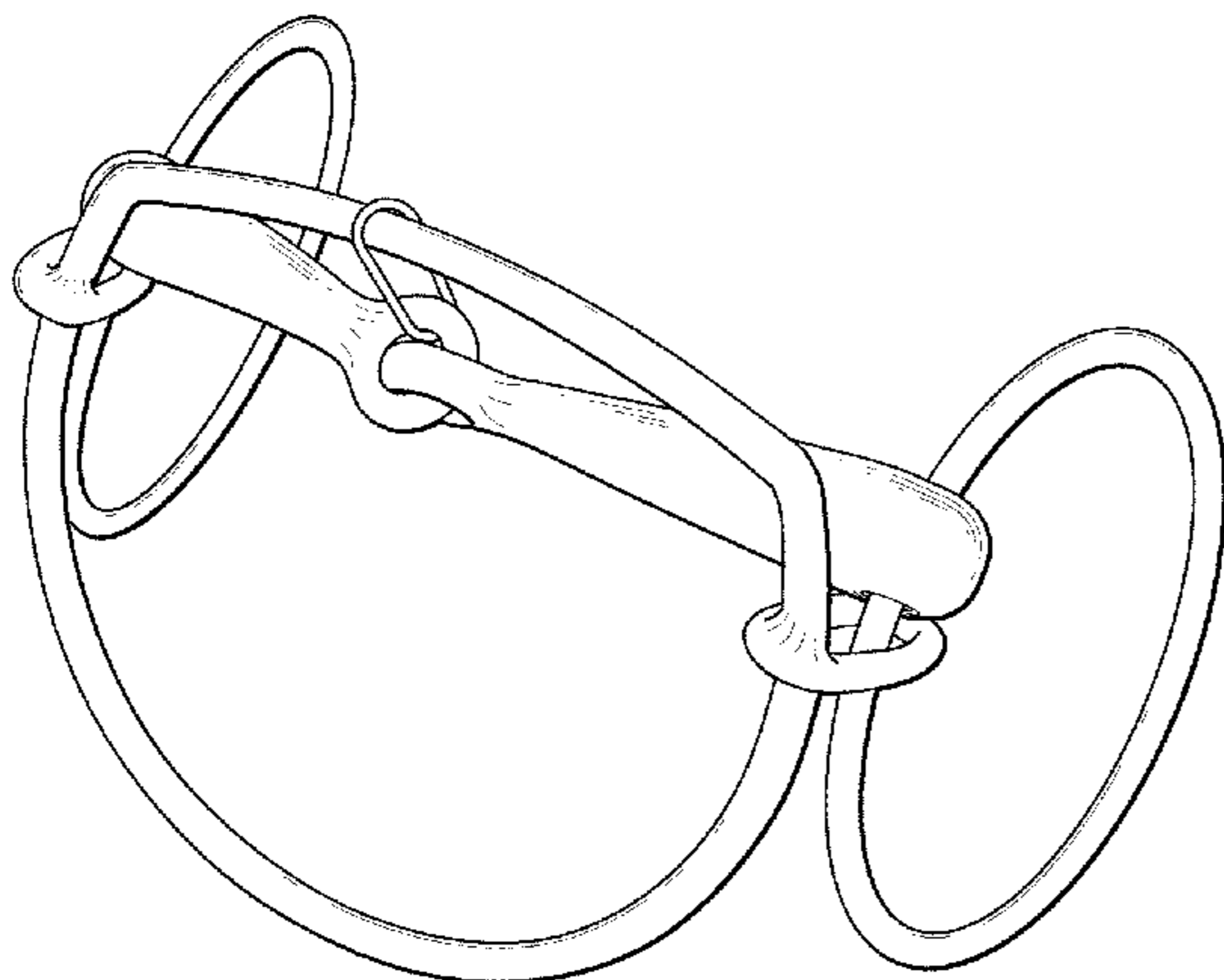
FIG. 10 is a bottom view thereof;

FIG. 11 is a rear view thereof; and,

FIG. 12 is a left side view thereof, the right side view being a mirror image.

The broken lines illustrate portions of the horse bit and form no part of the claimed design.

1 Claim, 6 Drawing Sheets



US D683,082 S

Page 2

U.S. PATENT DOCUMENTS

1,004,769 A * 10/1911 Gallatin 54/9
1,078,987 A 11/1913 Beery
1,494,884 A 5/1924 Boyer
D328,657 S * 8/1992 Steele D30/136
D513,544 S * 1/2006 Weyand D30/136
D587,859 S * 3/2009 Augsten D30/136

OTHER PUBLICATIONS

Register of Nationally Approved Gear, published by Racing Victoria
Limited, Sep. 2010.

* cited by examiner

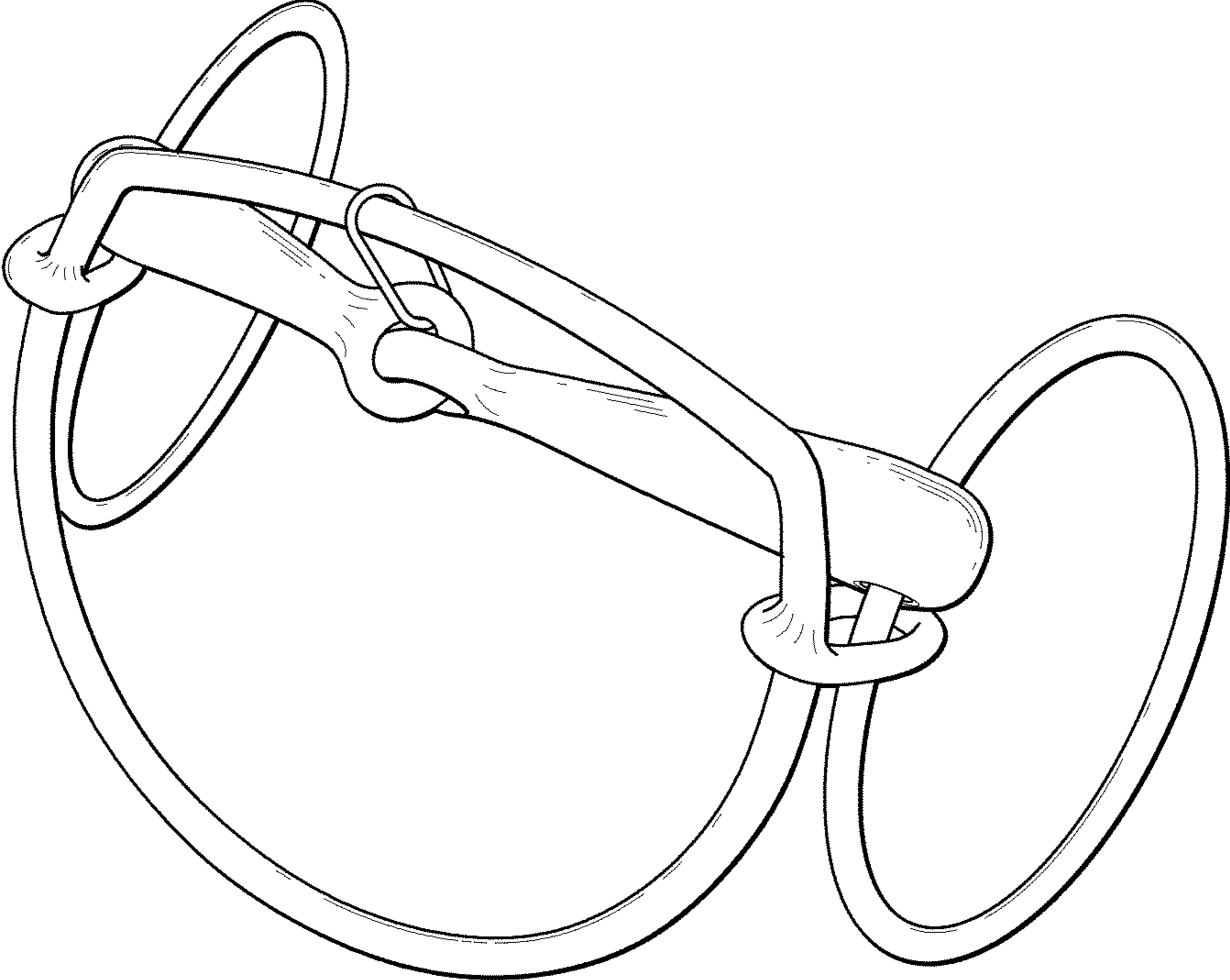


FIG. 1

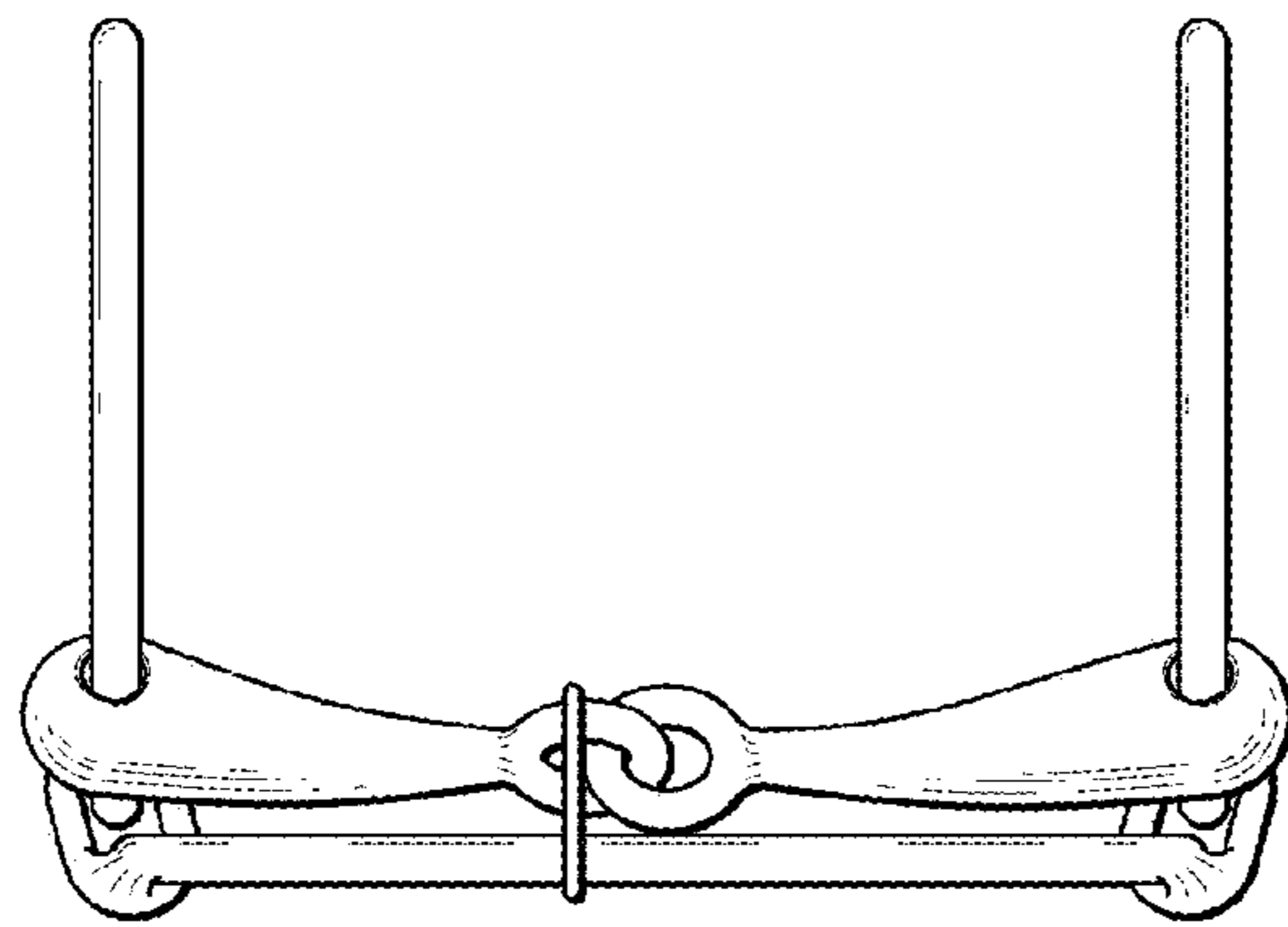


FIG. 2

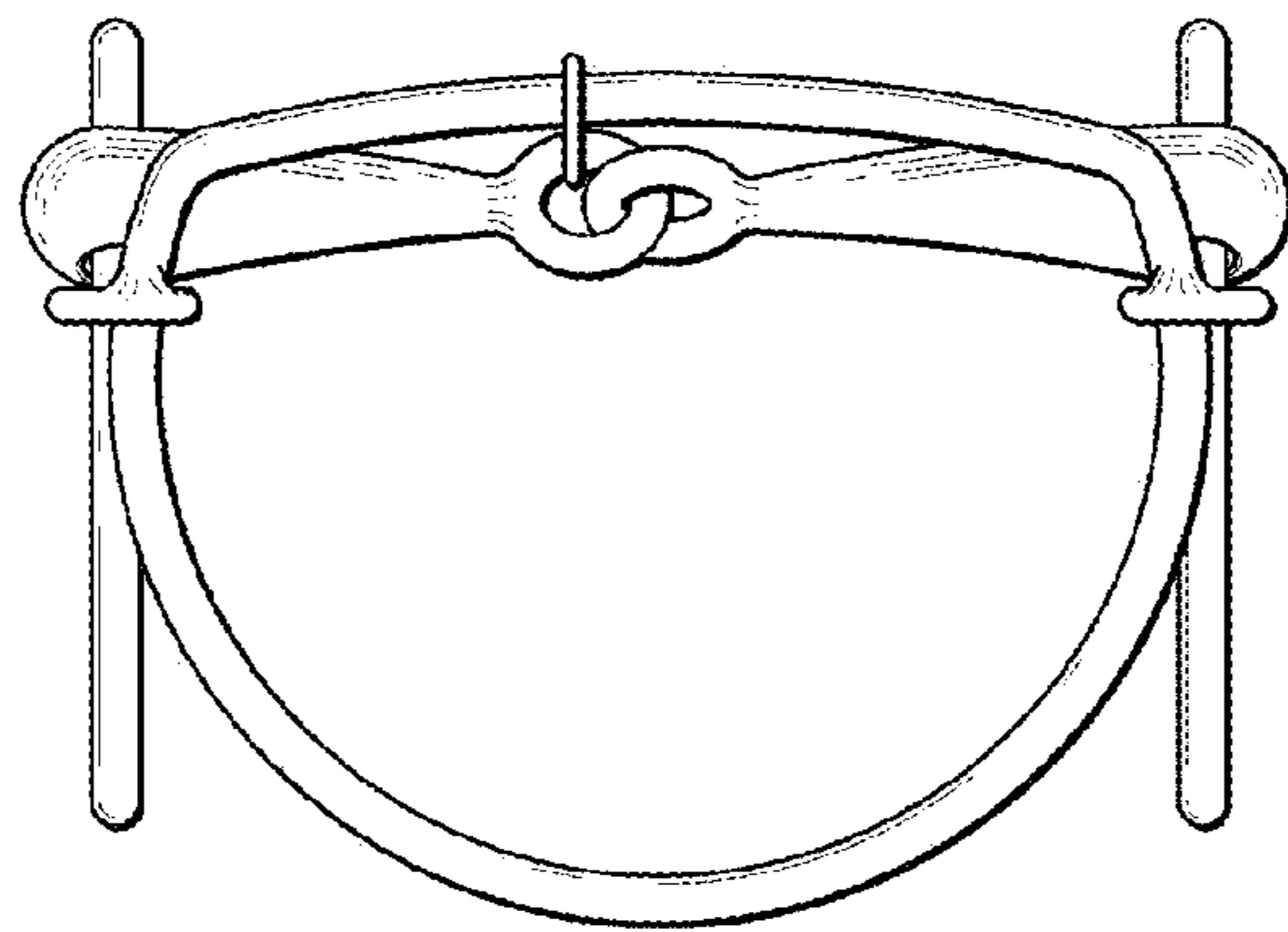


FIG. 3

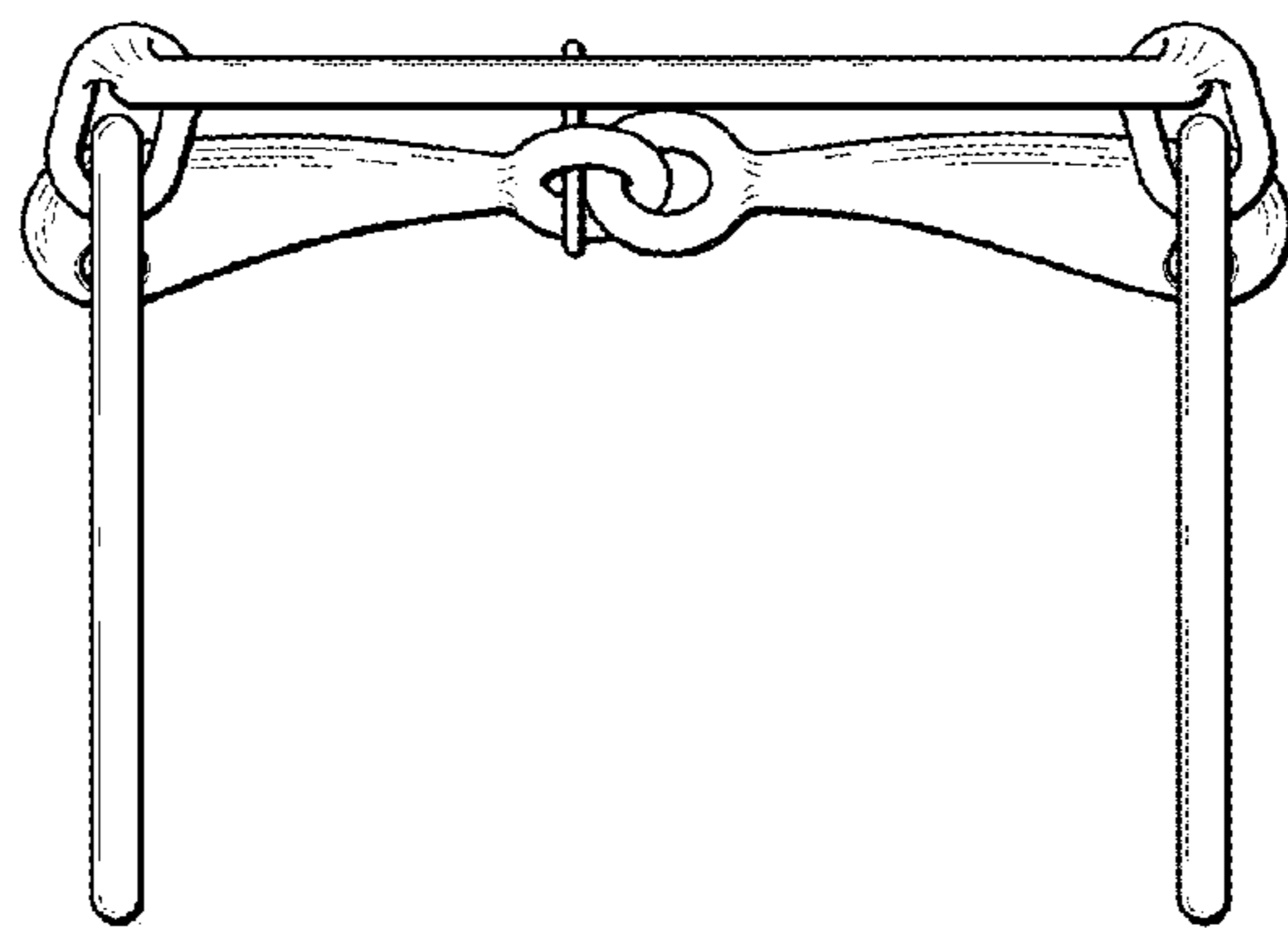


FIG. 4

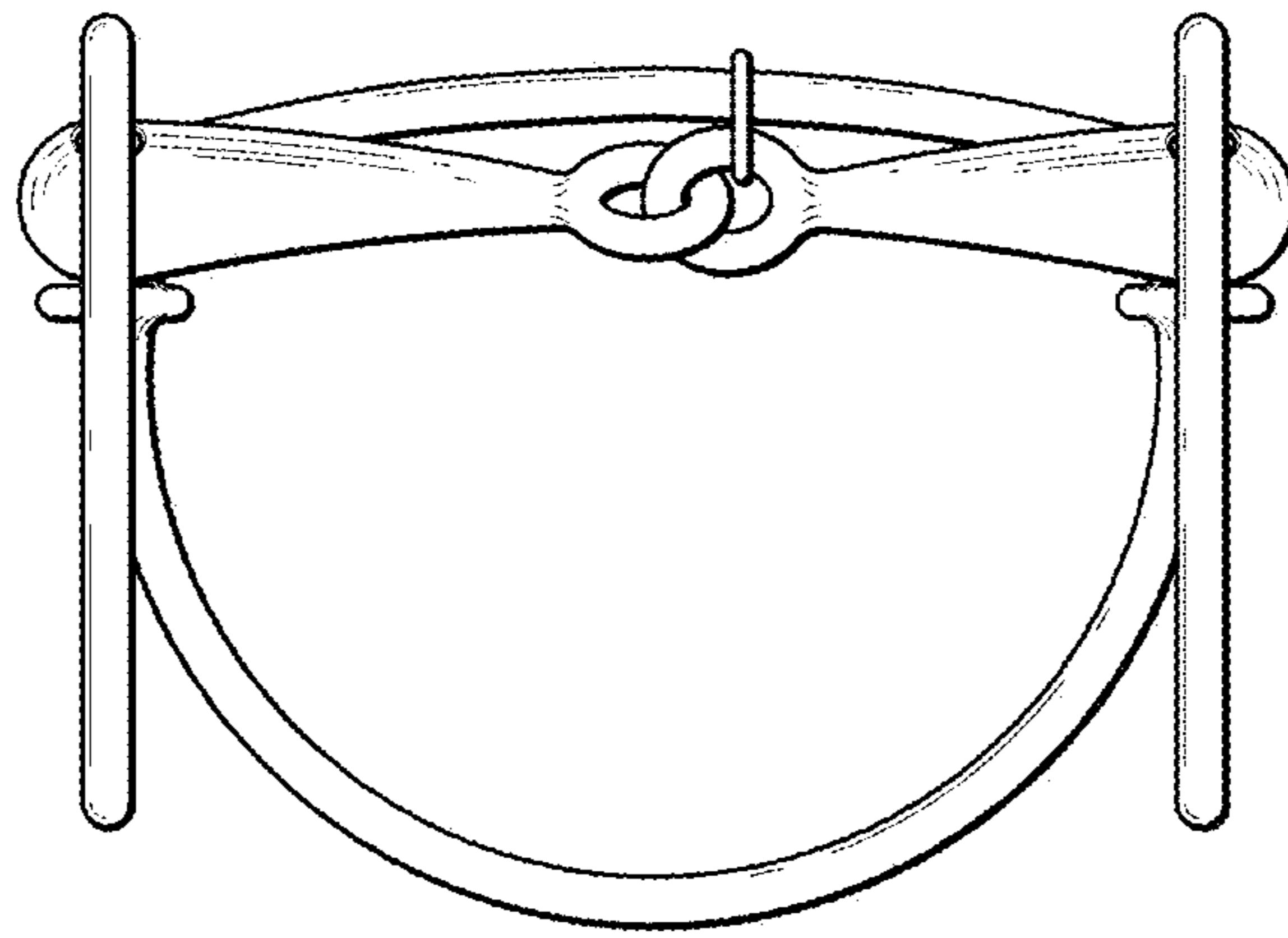


FIG. 5

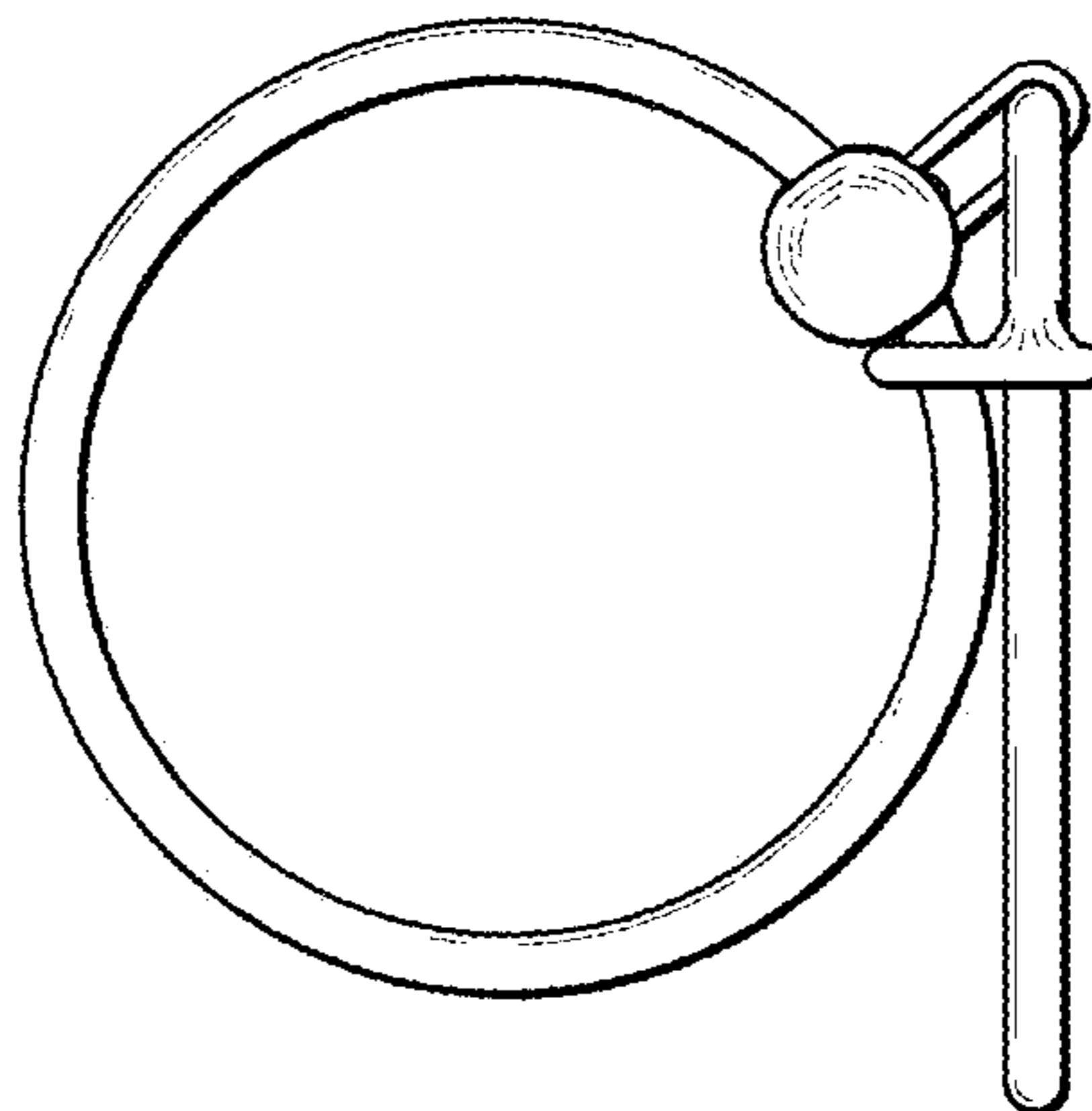


FIG. 6

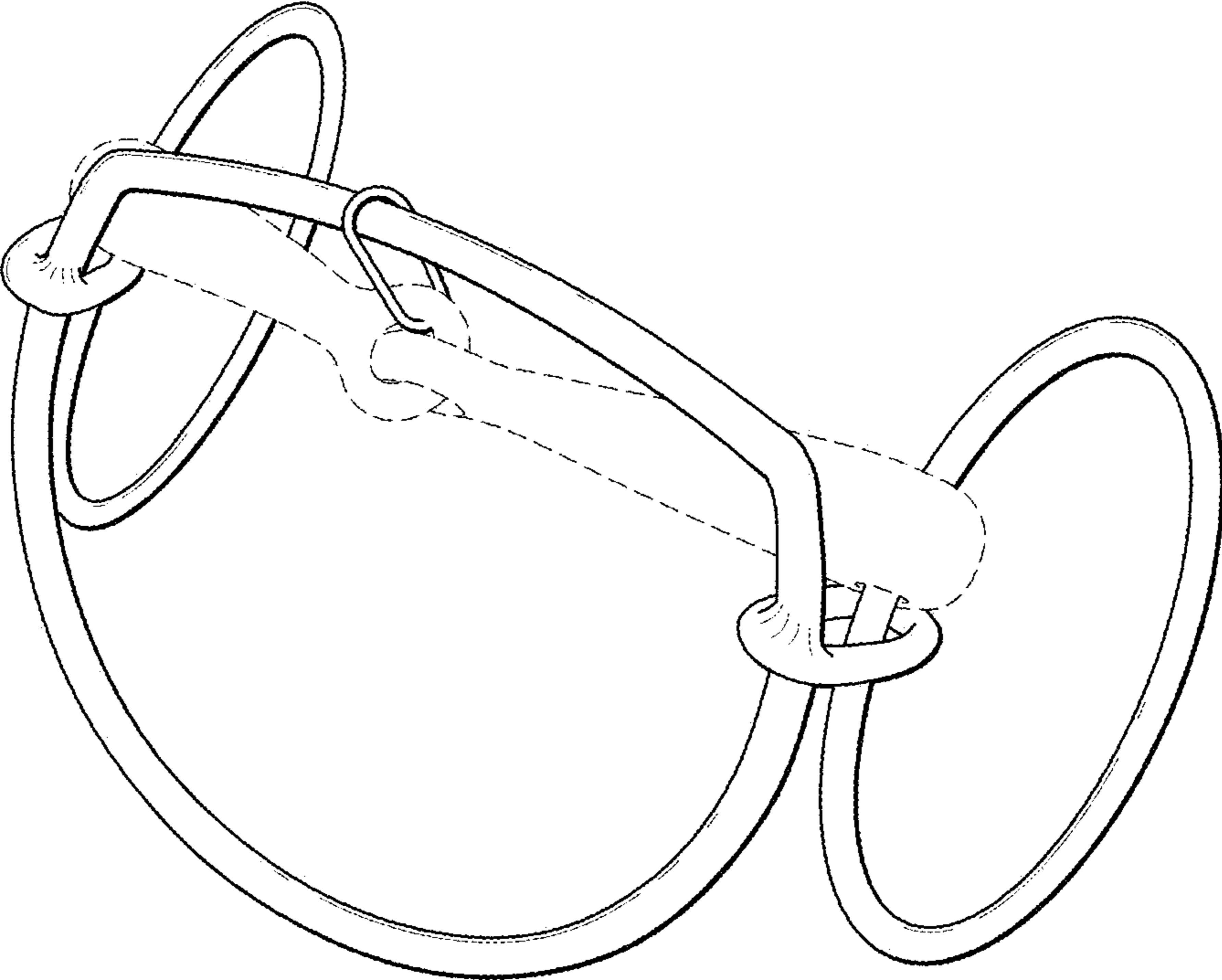


FIG. 7

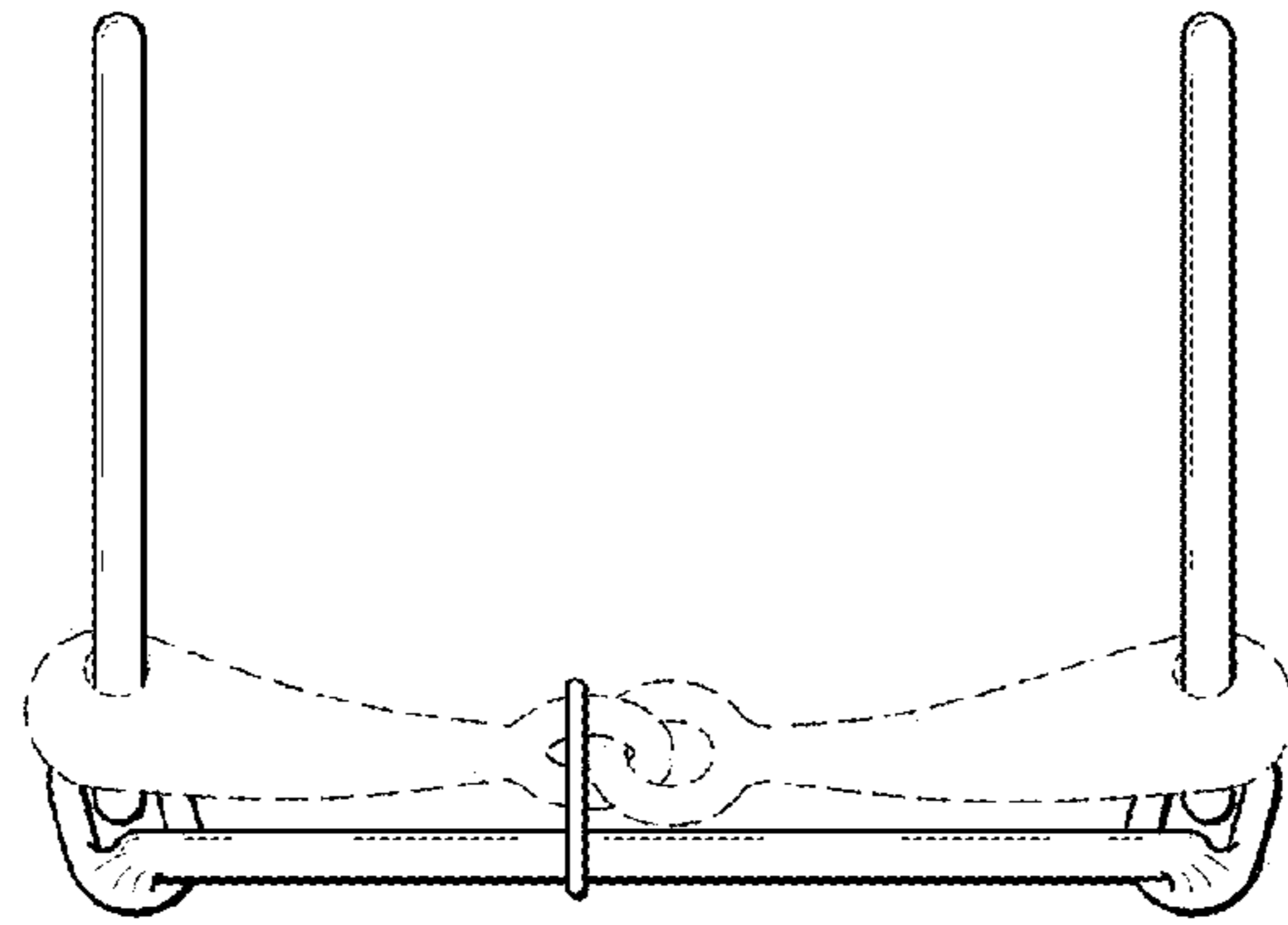


FIG. 8

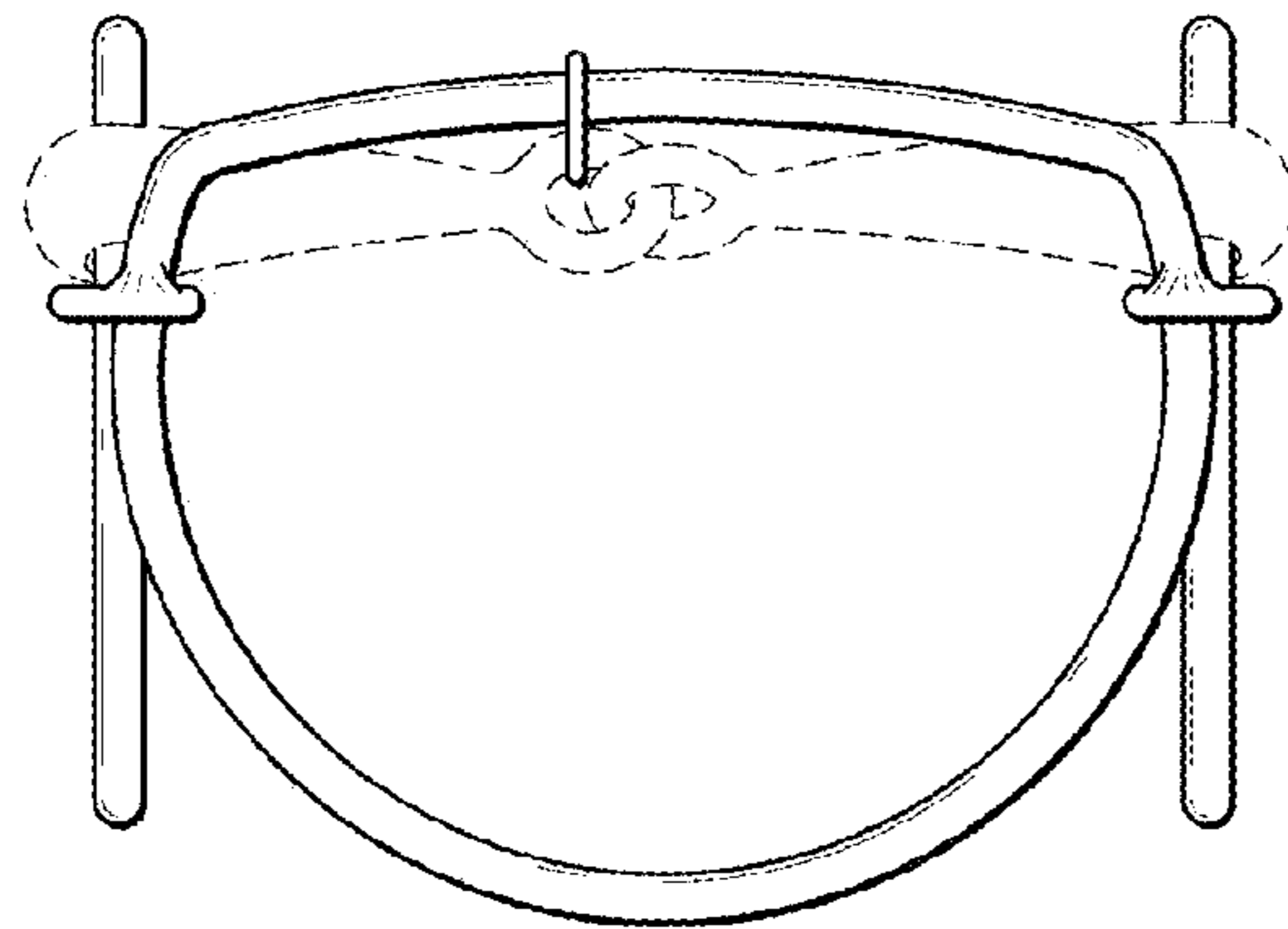


FIG. 9

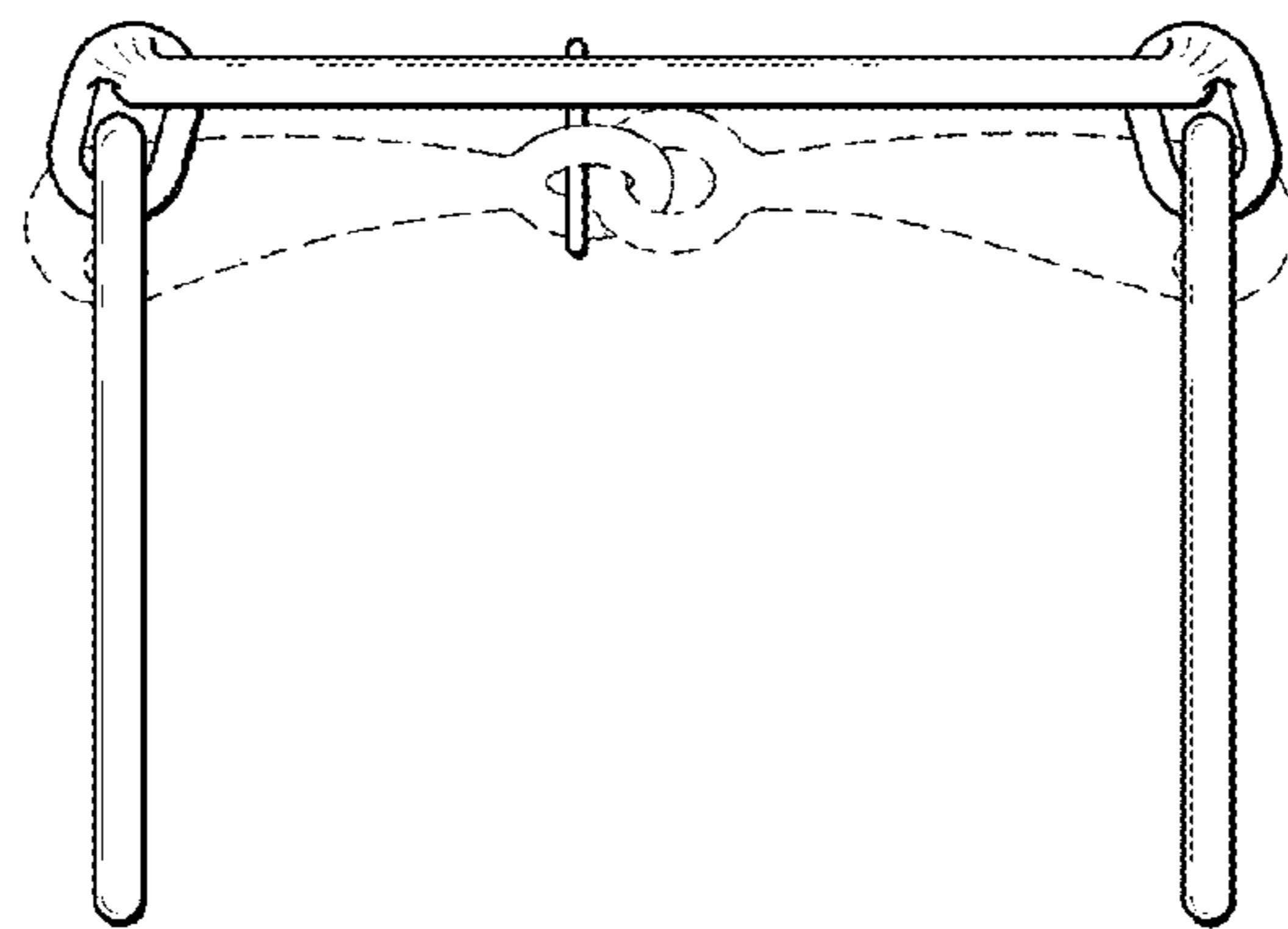


FIG. 10

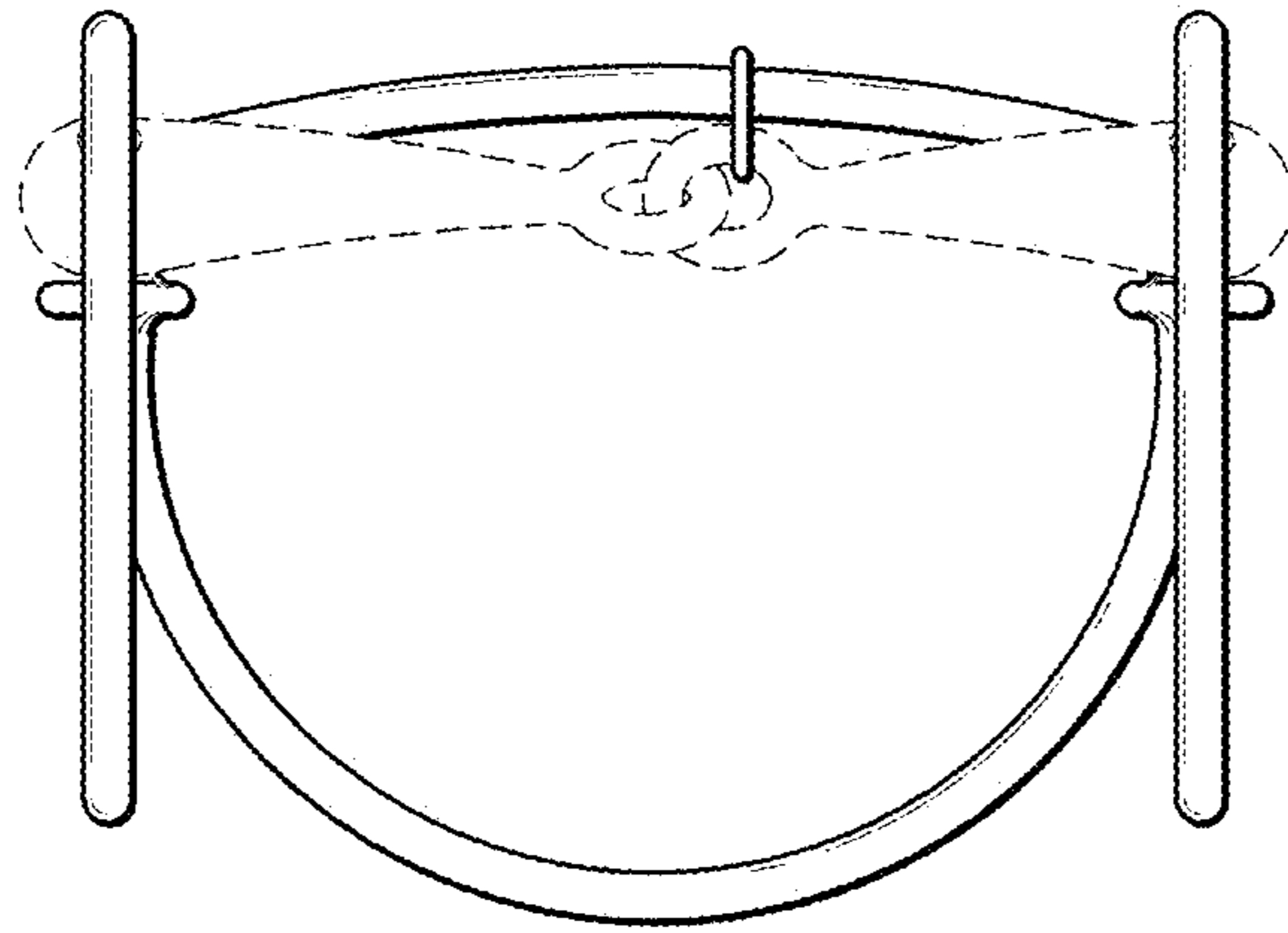


FIG. 11

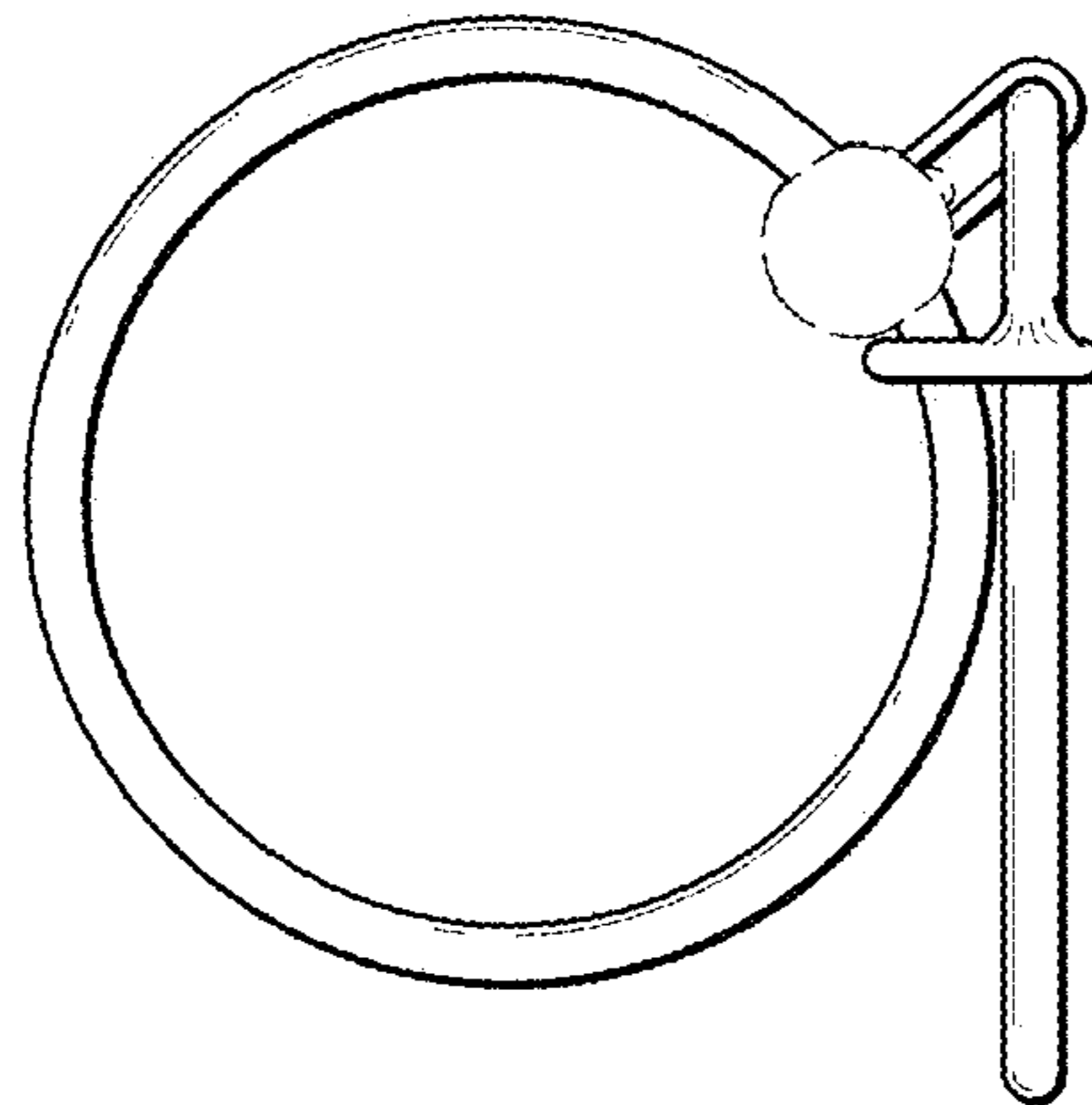


FIG. 12