



US00D683081S

(12) **United States Design Patent**
Schatz

(10) **Patent No.:** **US D683,081 S**

(45) **Date of Patent:** **** May 21, 2013**

(54) **BIRDHOUSE**

(75) Inventor: **James A. Schatz**, Greene, NY (US)

(73) Assignee: **James A. Schatz**, Greene, NY (US)

(**) Term: **14 Years**

(21) Appl. No.: **29/390,657**

(22) Filed: **Apr. 28, 2011**

(51) **LOC (9) Cl.** **30-02**

(52) **U.S. Cl.**
USPC **D30/111**

(58) **Field of Classification Search** D30/110,
D30/111, 124–128, 199; D11/157; 119/421,
119/427–431, 433, 435

See application file for complete search history.

(56) **References Cited**

U.S. PATENT DOCUMENTS

D76,400 S	9/1928	Kevitt	D30/110
2,887,987 A *	5/1959	Fitzgerald et al.	119/433
D193,189 S	7/1962	Bewley	D30/110
D195,409 S	6/1963	Waite	D30/128
D195,628 S *	7/1963	Andreae	D30/125
3,177,849 A	4/1965	Isenberg	119/435
D222,074 S	9/1971	Pratt	D30/110
3,780,703 A	12/1973	Boehland, Jr.	D30/111
3,783,831 A	1/1974	Patliff	119/435

D244,620 S *	6/1977	Cudmore	D30/110
D373,552 S	9/1996	Lownsbury	D11/121
6,237,538 B1 *	5/2001	Tsengas	119/707
D480,518 S	10/2003	McGinty	D30/125
D566,344 S	4/2008	Schatz	D30/124
D608,059 S *	1/2010	McNaughton	D30/111
7,721,677 B1 *	5/2010	McClaskey	119/435
D634,484 S *	3/2011	Zamarripa	D30/110
D669,232 S *	10/2012	Chung et al.	D30/199
2007/0199517 A1	8/2007	De Wilde	119/429

* cited by examiner

Primary Examiner — Cathy A MacCormac

(57) **CLAIM**

The ornamental design for a birdhouse, as shown.

DESCRIPTION

FIG. 1 is a front perspective view of a birdhouse showing my new design;

FIG. 2 is a rear view thereof;

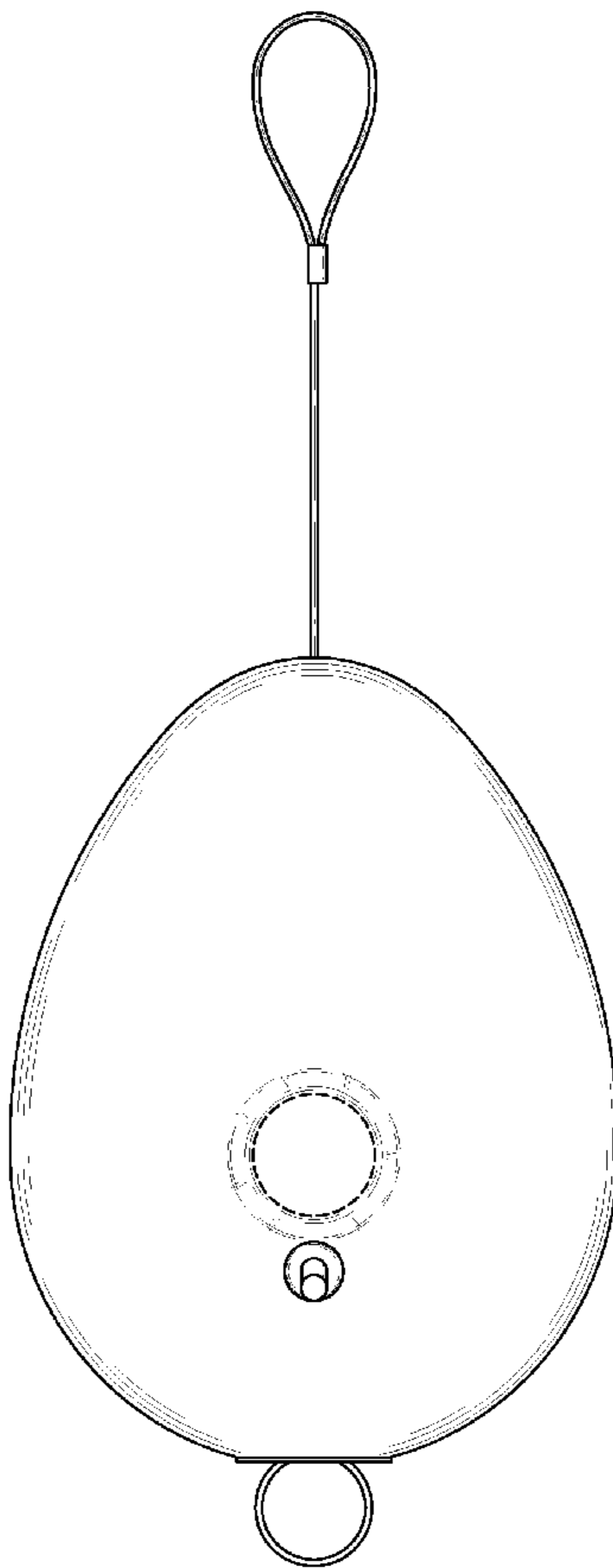
FIG. 3 is a left side view thereof; the right side is a mirror image of the left side, shown;

FIG. 4 is a top view thereof; and,

FIG. 5 is a bottom view thereof.

The broken lines are for illustration only and form no part of the claimed design.

1 Claim, 4 Drawing Sheets



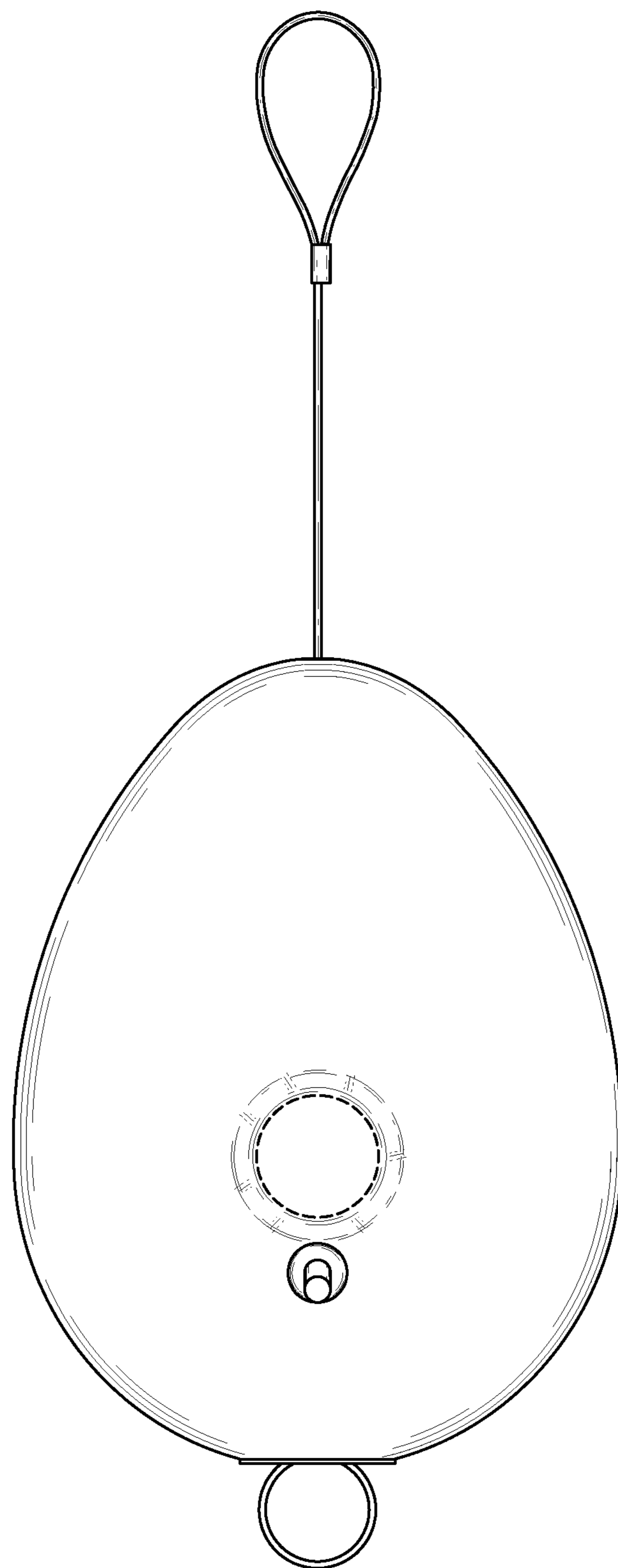


Fig. 1

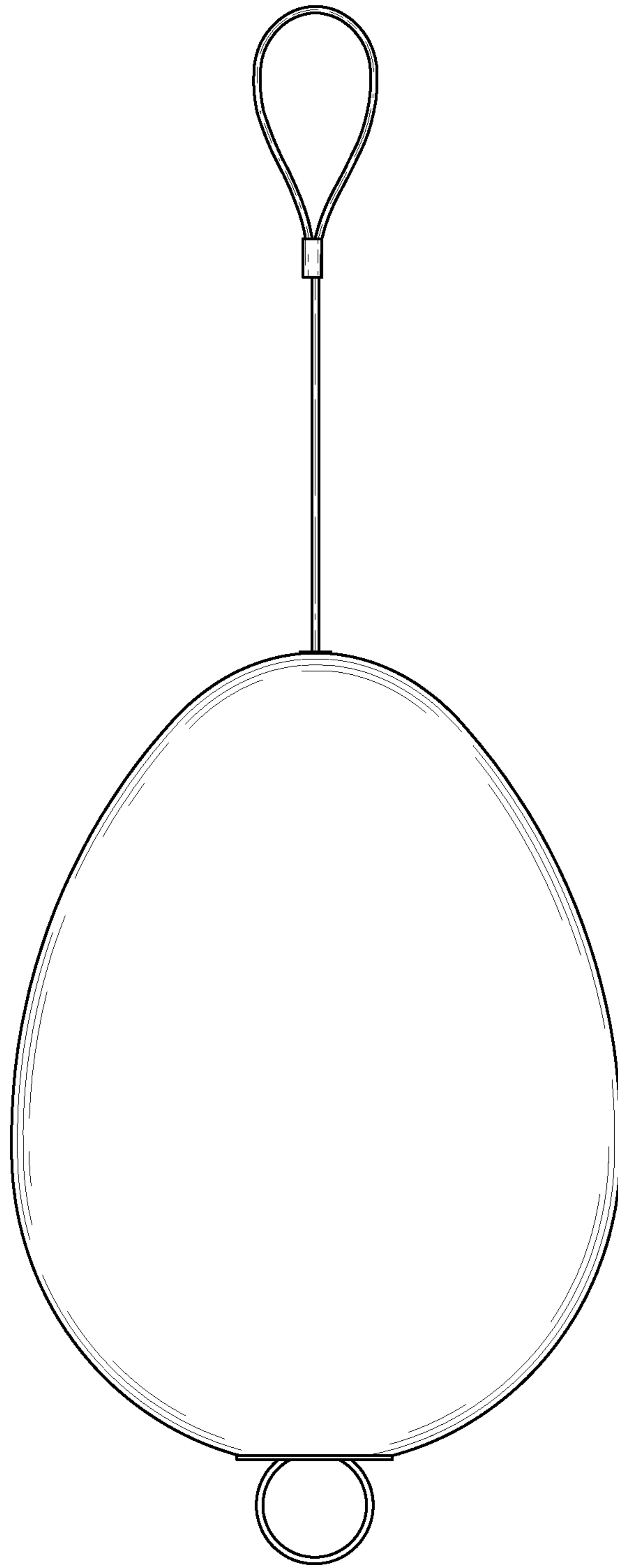


Fig. 2

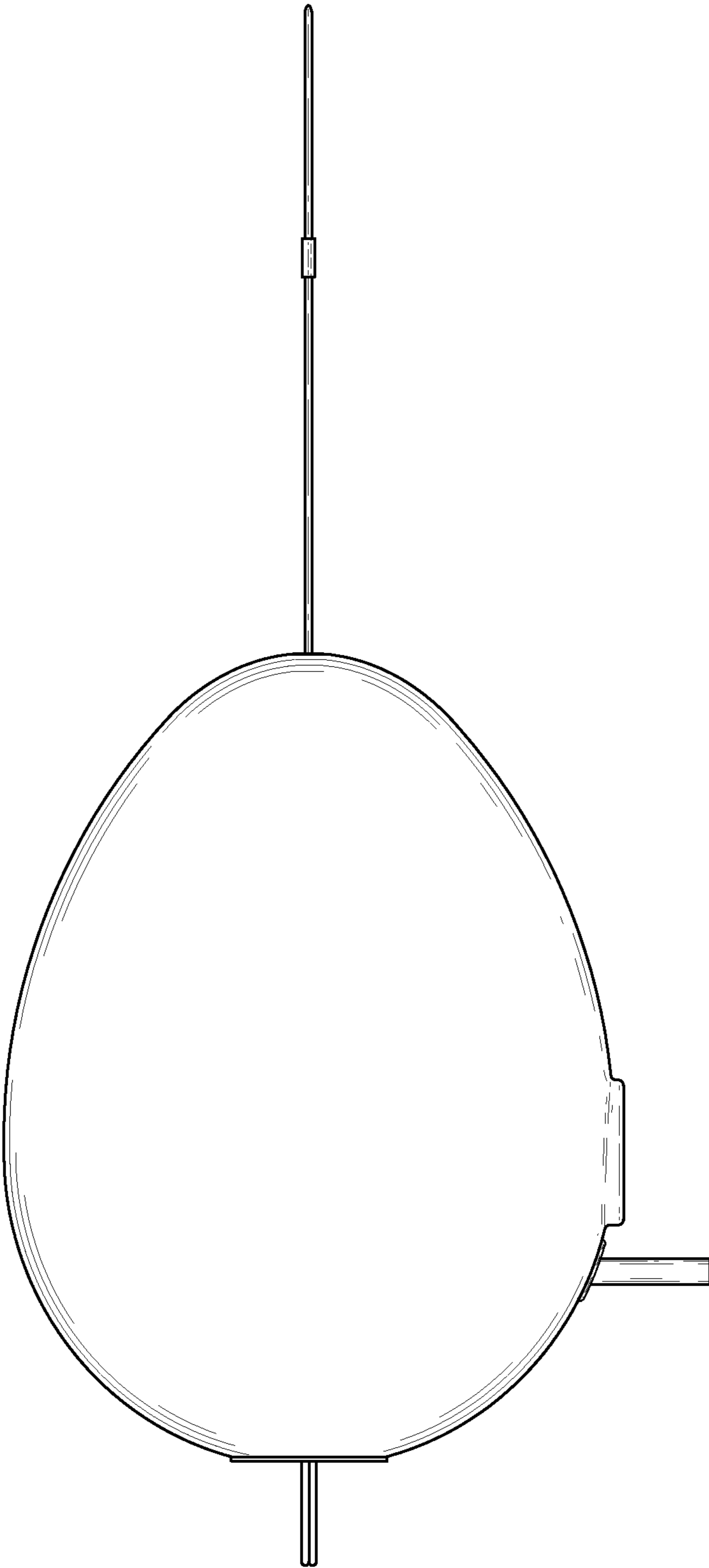


Fig. 3

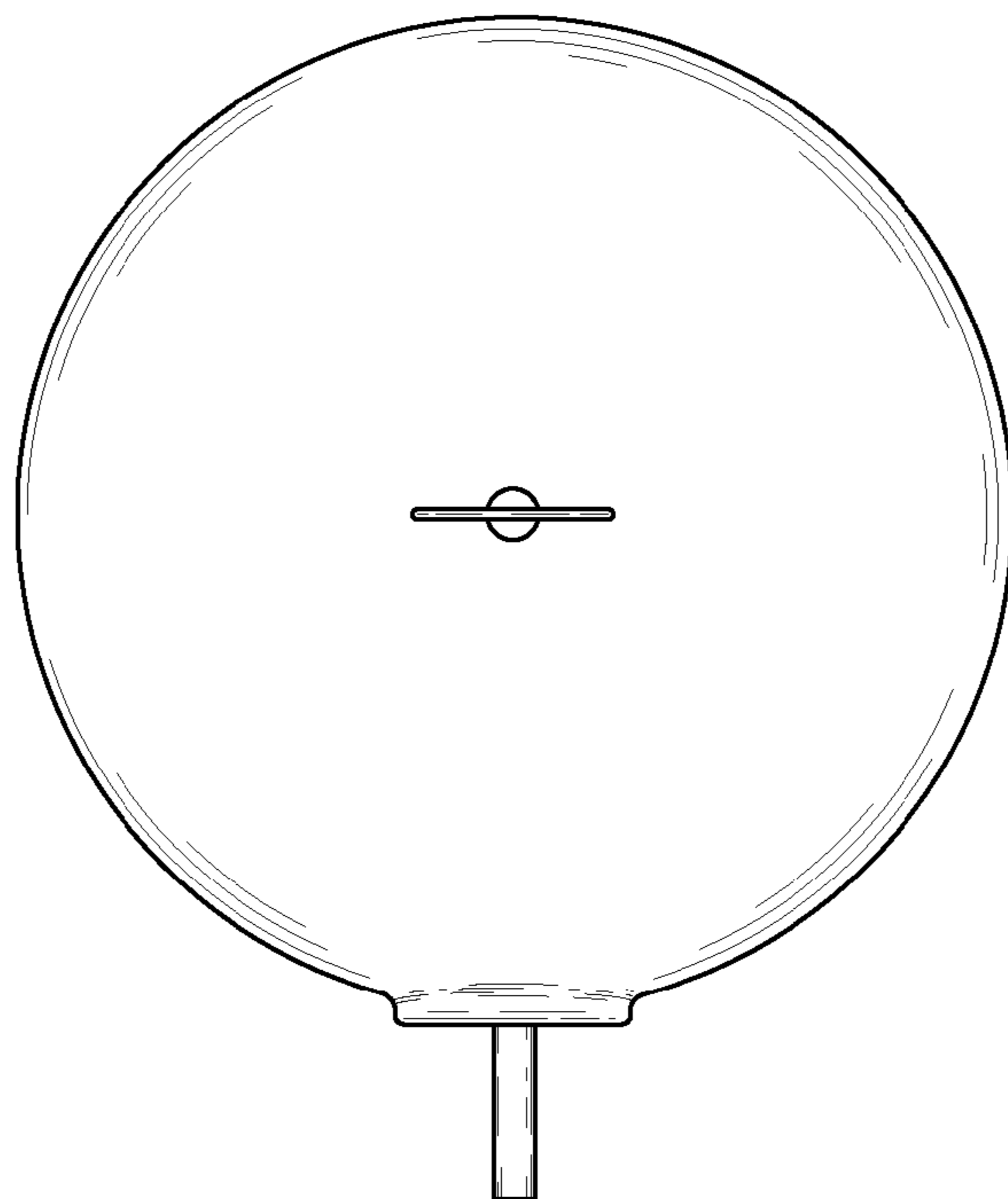


Fig. 4

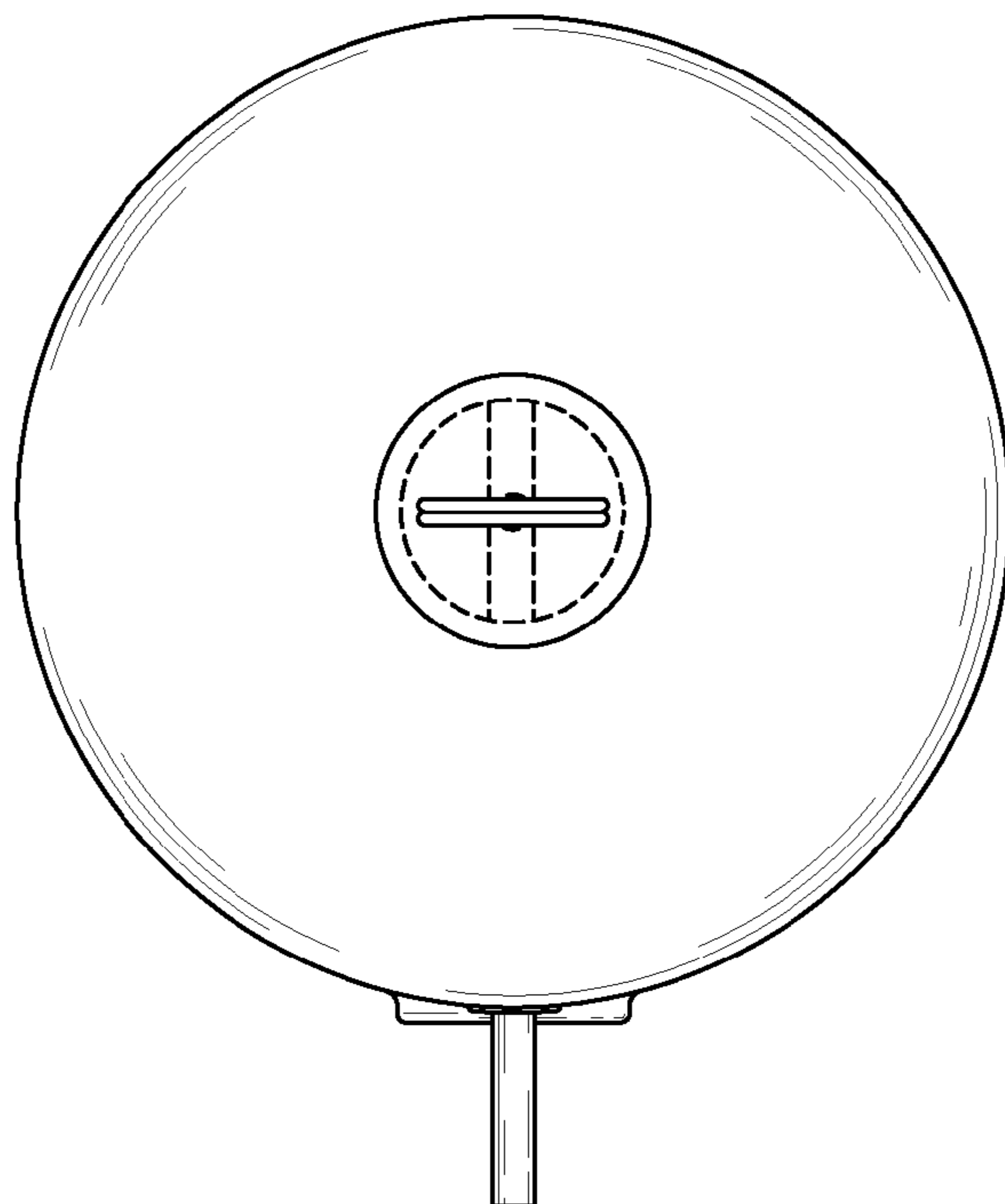


Fig. 5