



US00D683079S

(12) **United States Design Patent**
Schmidt et al.

(10) **Patent No.:** **US D683,079 S**

(45) **Date of Patent:** **** May 21, 2013**

(54) **HELMET LINER**

(75) Inventors: **Joshua Schmidt**, Lakewood, OH (US);
Ron Szalkowski, Lakewood, OH (US);
Morgan McLennan, Parma Heights,
OH (US)

(73) Assignee: **Intellectual Property Holdings, LLC**,
Cleveland, OH (US)

(**) Term: **14 Years**

(21) Appl. No.: **29/403,709**

(22) Filed: **Oct. 10, 2011**

(51) **LOC (9) Cl.** **02-03**

(52) **U.S. Cl.**
USPC **D29/122**

(58) **Field of Classification Search** D29/102-107,
D29/122; 2/421, 423-425, 6.3, 6.5-6.7,
2/411, 413, 414, 5, 427, 428, 9, 173, 206,
2/209.13, 205, 909, 417; 267/145, 80; 36/27-29,
36/37-38; D9/428; 99/428; D24/230

See application file for complete search history.

(56) **References Cited**

U.S. PATENT DOCUMENTS

666,130 A	1/1901	Cole
957,394 A	5/1910	Thoma
1,012,597 A	12/1911	Church
1,539,283 A	5/1925	Staats-Oels
1,552,965 A	9/1925	Smith
1,560,825 A	11/1925	Kelticka
1,958,050 A	5/1934	Koppelman
2,074,331 A	3/1937	Haider
2,090,881 A	8/1937	Wilson
2,221,310 A	11/1940	Gazelle
2,275,575 A	3/1942	Vrooman
2,285,335 A	6/1942	Hurt
2,303,744 A	12/1942	Jacobs

2,311,373 A	2/1943	Durning
2,318,077 A	5/1943	Jonas
2,346,161 A	4/1944	Grant
2,349,907 A	5/1944	Kos
2,433,012 A	12/1947	Zaliovitz
2,434,641 A	1/1948	Burns
2,711,033 A	6/1955	Dick

(Continued)

FOREIGN PATENT DOCUMENTS

CA	2598015	8/2006
CA	2663728	9/2008

(Continued)

OTHER PUBLICATIONS

The Messier Project: The M11 Helmet, 222.cascadeicehockey.com/the-helmet.html (2 pages) Jan. 19, 2010.

(Continued)

Primary Examiner — Ruth McInroy

(74) *Attorney, Agent, or Firm* — Calfee, Halter & Griswold
LLP

(57) **CLAIM**

The ornamental design for a helmet liner, as shown and described.

DESCRIPTION

FIG. 1 is a bottom perspective view of a helmet liner showing our new design;

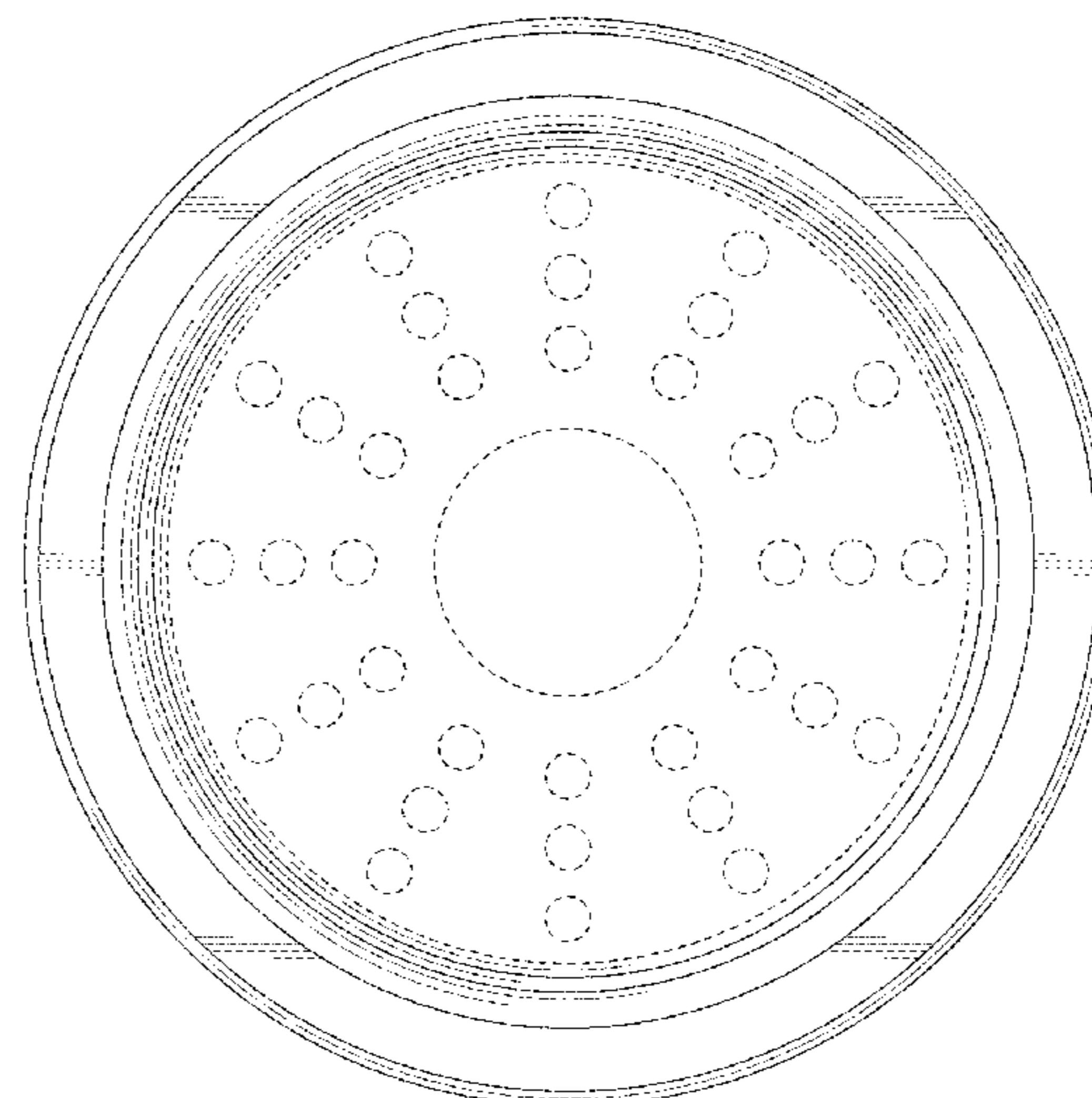
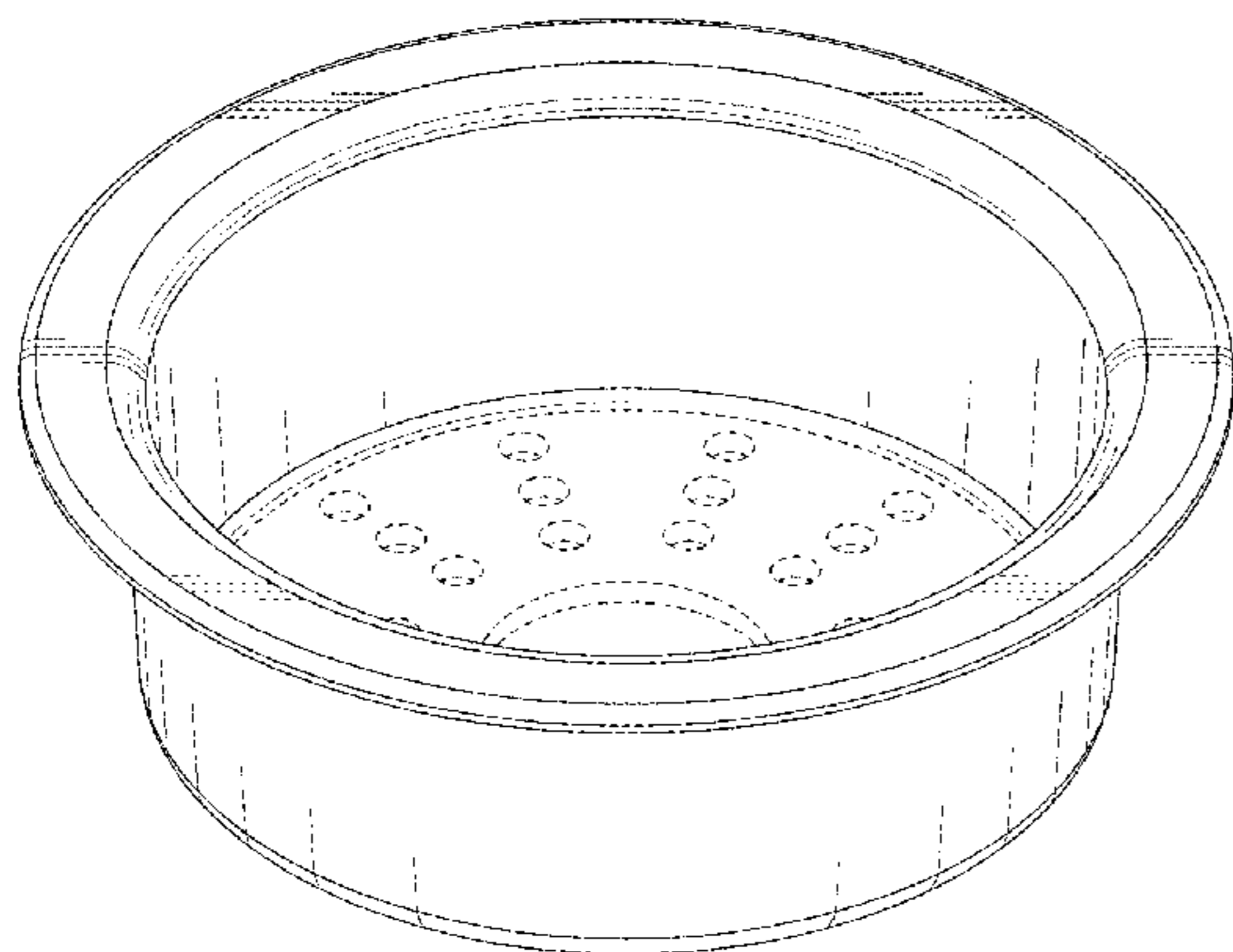
FIG. 2 is a bottom plan view thereof;

FIG. 3 is a side elevation view thereof, wherein the left side, right side, front and rear views are identical; and,

FIG. 4 is a top plan view thereof.

The broken lines shown in the drawings are for illustrative purposes only and form no part of the claimed design.

1 Claim, 2 Drawing Sheets



US D683,079 S

U.S. PATENT DOCUMENTS					
2,739,093	A	3/1956 Bull	4,023,213	A	5/1977 Rovani
2,759,186	A	8/1956 Dye	4,029,350	A	6/1977 Goupy et al.
2,772,196	A	11/1956 Pooley	4,029,534	A	6/1977 Bocks et al.
2,776,452	A	1/1957 Chavannes	4,038,700	A	8/1977 Gyory
2,983,056	A	5/1961 Murawski	4,044,399	A	8/1977 Morton
3,018,015	A	1/1962 Agriss et al.	4,044,479	A	8/1977 Brutting
3,026,231	A	3/1962 Chavannes	4,064,565	A	12/1977 Griffiths
3,086,899	A	4/1963 Smith et al.	4,067,063	A	1/1978 Ettinger
3,088,539	A	5/1963 Mathues et al.	4,075,717	A	2/1978 Lemelson
3,099,043	A	7/1963 Held	4,077,393	A	3/1978 Mattson
3,124,807	A	3/1964 Frenkel et al.	4,099,759	A	7/1978 Kornhauser
3,142,599	A	7/1964 Chavannes	4,101,983	A	7/1978 Dera et al.
3,144,247	A	8/1964 Szonn et al.	4,106,745	A	8/1978 Carrow
3,160,963	A	12/1964 Aaskov	4,110,857	A	9/1978 Banister
3,186,013	A	6/1965 Glassman et al.	4,114,197	A	9/1978 Morton
3,195,686	A	7/1965 Johnson	4,134,156	A	1/1979 Gyory
3,231,454	A	1/1966 Williams	4,151,661	A	5/1979 Namba
3,242,500	A	3/1966 Derr	4,154,469	A	5/1979 Goupy et al.
3,251,076	A	5/1966 Burke	4,154,489	A	5/1979 Lyman
3,280,410	A	10/1966 Propst et al.	4,170,078	A	10/1979 Moss
3,327,334	A	6/1967 Wilmanns et al.	4,187,620	A	2/1980 Selner
3,342,666	A	9/1967 Hull	4,190,276	A	2/1980 Hirano
3,366,971	A	2/1968 Scherz	4,192,699	A	3/1980 Lewicki et al.
3,378,888	A	4/1968 Robertson	4,213,202	A	7/1980 Larry
3,425,061	A	2/1969 Webb	4,223,455	A	9/1980 Vermeulen
3,447,163	A	6/1969 Bothwell et al.	4,223,456	A	9/1980 Cohen
3,484,835	A	12/1969 Troutine et al.	4,236,326	A	12/1980 Inohara
3,500,472	A	3/1970 Castellani	4,239,476	A	12/1980 Somberg
3,500,475	A	3/1970 Otsuka	4,251,932	A	2/1981 Love
3,507,727	A	4/1970 Marshack	4,262,433	A	4/1981 Hagg
3,508,992	A	4/1970 Chavannes et al.	4,267,648	A	5/1981 Weisz
3,514,156	A	5/1970 Fields	4,279,038	A	7/1981 Bruckner et al.
3,525,663	A	8/1970 Hale	4,288,399	A	9/1981 Siedenstrang et al.
3,538,628	A	11/1970 Einstein, Jr.	4,290,149	A *	9/1981 Aileo 2/414
3,575,781	A	4/1971 Pezely	4,297,797	A	11/1981 Meyers
3,600,714	A	8/1971 Cade	4,299,038	A	11/1981 Epple
3,608,215	A	9/1971 Fukuoka	4,302,892	A	12/1981 Adamik
3,609,764	A	10/1971 Morgan	4,305,212	A	12/1981 Coomer
3,618,144	A	11/1971 Frey et al.	4,307,471	A	12/1981 Lovell
3,633,228	A	1/1972 Zysman	4,321,989	A	3/1982 Meinzer
3,668,056	A	6/1972 Hayes, Jr.	4,338,371	A	7/1982 Dawn et al.
3,668,704	A	6/1972 Conroy	4,342,157	A	8/1982 Gilbert
3,673,609	A	7/1972 De Simone	4,342,158	A	8/1982 McMahan
3,679,166	A	7/1972 Sturhan	4,345,338	A	8/1982 Frieder, Jr. et al.
3,684,235	A	8/1972 Schupbach	4,347,637	A	9/1982 Ardito
3,709,967	A	1/1973 Held, Jr.	4,352,484	A	10/1982 Gertz
3,716,614	A	2/1973 Okamoto et al.	4,355,792	A	10/1982 Fukuda
3,747,968	A	7/1973 Hornsby	4,356,642	A	11/1982 Herman
3,766,669	A	10/1973 Pearsall	D267,831	S	2/1983 Sucato
3,782,767	A	1/1974 Moore	4,370,754	A	2/1983 Donzis
3,784,985	A	1/1974 Conroy	4,372,058	A	2/1983 Stubblefield
3,806,950	A	4/1974 Spencer-Foote	4,377,042	A	3/1983 Bauer
3,837,991	A	9/1974 Evans	4,391,048	A	7/1983 Lutz
3,844,862	A	10/1974 Sauer et al.	4,398,357	A	8/1983 Batra
3,849,801	A	11/1974 Holt et al.	4,400,483	A	8/1983 Siedenstrang et al.
3,853,221	A	12/1974 Boyd	4,400,894	A	8/1983 Ehrlich
3,857,144	A	12/1974 Bustin	4,413,856	A	11/1983 McMahan et al.
3,863,909	A	2/1975 Weber	4,418,483	A	12/1983 Fujita
3,871,636	A	3/1975 Boyle	4,423,000	A	12/1983 Teraoka
3,872,511	A	3/1975 Nichols	4,428,306	A	1/1984 Dresen et al.
3,877,076	A	4/1975 Summers	4,432,099	A	2/1984 Grick et al.
3,882,547	A	5/1975 Morgan	4,439,936	A	4/1984 Clarke et al.
3,895,456	A	7/1975 Fabre	4,445,283	A	5/1984 Meyers
3,900,222	A	8/1975 Muller	4,449,307	A	5/1984 Stubblefield
3,911,187	A	10/1975 Raley	4,453,271	A	6/1984 Donzis
3,926,463	A	12/1975 Landwehr	4,455,765	A	6/1984 Sjosward
3,928,881	A	12/1975 Bente	4,458,430	A	7/1984 Peterson
3,933,387	A	1/1976 Salloum et al.	4,460,205	A	7/1984 Glance
3,940,529	A	2/1976 Hepford et al.	4,494,320	A	1/1985 Davis
3,940,811	A	3/1976 Tomikawa et al.	4,497,123	A	2/1985 Ehrlich
3,952,358	A	4/1976 Fukuoka	4,510,702	A	4/1985 Ehrlich, Jr.
3,971,583	A	7/1976 Kornhauser	4,513,449	A	4/1985 Donzis
D241,228	S *	8/1976 Boduch D9/428	4,518,643	A	5/1985 Francis
3,994,020	A	11/1976 Villari	4,523,393	A	6/1985 Inohara
3,995,901	A	12/1976 Filbert, Jr. et al.	4,534,068	A	8/1985 Mitchell et al.
3,997,207	A	12/1976 Norlin	4,535,553	A	8/1985 Derderian et al.
3,999,220	A	12/1976 Keltner	4,538,301	A	9/1985 Sawatzki et al.
4,022,505	A	5/1977 Saczawa, Jr.	4,538,366	A	9/1985 Norton
			4,546,555	A	10/1985 Spademan

US D683,079 S

4,553,342 A	11/1985	Derderian et al.	4,970,729 A	11/1990	Shimazaki
4,558,470 A	12/1985	Mitchell et al.	4,972,611 A	11/1990	Swartz
4,562,651 A	1/1986	Frederick et al.	4,984,320 A	1/1991	Curley, Jr. et al.
4,566,137 A	1/1986	Gooding	4,987,609 A	1/1991	Zahn
4,566,678 A	1/1986	Anderson	4,993,173 A	2/1991	Gardiner
4,578,296 A	3/1986	Miyazaki	4,999,931 A	3/1991	Vermeulen
4,586,200 A	5/1986	Poon	5,011,642 A	4/1991	Welygan et al.
4,601,367 A	7/1986	Bongers	5,014,449 A	5/1991	Richard et al.
4,616,431 A	10/1986	Dassler	5,014,691 A	5/1991	Cueman et al.
4,619,055 A	10/1986	Davidson	5,016,417 A	5/1991	Mentken
4,624,061 A	11/1986	Wezel et al.	5,025,504 A	6/1991	Benston et al.
4,627,114 A	12/1986	Mitchell	5,027,803 A	7/1991	Scholz et al.
4,631,221 A	12/1986	Disselbeck et al.	5,030,501 A	7/1991	Colvin et al.
4,635,384 A	1/1987	Huh et al.	5,033,593 A	7/1991	Kazuhito
4,635,981 A	1/1987	Friton	5,035,009 A	7/1991	Wingo, Jr. et al.
4,642,814 A	2/1987	Godfrey	5,035,758 A	7/1991	Degler et al.
4,657,716 A	4/1987	Schmidt	5,042,174 A	8/1991	Nichols
4,667,423 A	5/1987	Autry et al.	5,042,175 A	8/1991	Ronen et al.
4,670,995 A	6/1987	Huang	5,042,176 A	8/1991	Rudy
4,672,754 A	6/1987	Ehrlich	5,042,859 A	8/1991	Zhang et al.
4,676,010 A	6/1987	Cheskin	5,044,096 A	9/1991	Polegato
4,680,875 A	7/1987	Danieli	5,046,267 A	9/1991	Kilgore et al.
4,695,496 A	9/1987	Lee	5,048,203 A	9/1991	Kling
4,700,403 A	10/1987	Vacanti	5,056,162 A	10/1991	Tirums
4,704,746 A	11/1987	Nava	5,058,212 A	10/1991	Kamata
4,710,984 A	12/1987	Asper	5,066,400 A	11/1991	Rocklitz et al.
4,720,261 A	1/1988	Fishwick et al.	5,068,922 A	12/1991	Zahn
4,722,131 A	2/1988	Huang	5,083,320 A	1/1992	Halstead
4,724,549 A	2/1988	Herder et al.	5,083,361 A	1/1992	Rudy
4,730,402 A	3/1988	Norton et al.	5,086,033 A	2/1992	Armor et al.
4,739,762 A	4/1988	Palmaz	5,092,060 A	3/1992	Frachey et al.
4,741,114 A	5/1988	Stubblefield	5,093,938 A	3/1992	Kamata
4,753,021 A	6/1988	Cohen	5,097,607 A	3/1992	Fredericksen
4,759,136 A	7/1988	Stewart et al.	5,098,124 A	3/1992	Breed et al.
4,763,426 A	8/1988	Polus et al.	5,124,191 A	6/1992	Seksaria
4,766,614 A *	8/1988	Cantwell et al.	5,131,174 A	7/1992	Drew et al.
4,768,295 A	9/1988	Ito	5,150,935 A	9/1992	Glance et al.
4,798,009 A	1/1989	Colonel et al.	5,165,990 A	11/1992	Nakano
4,808,469 A	2/1989	Hiles	5,168,576 A	12/1992	Krent et al.
4,815,221 A	3/1989	Diaz	5,204,998 A	4/1993	Liu
4,817,304 A	4/1989	Parker et al.	5,235,715 A	8/1993	Donzis
4,823,483 A	4/1989	Chapnick	5,263,203 A	11/1993	Kraemer et al.
4,831,750 A	5/1989	Muller	5,271,103 A	12/1993	Darnell
4,838,606 A	6/1989	Furubayashi et al.	5,274,846 A	1/1994	Kolsky
4,842,931 A	6/1989	Zook	5,324,460 A	6/1994	Briggs
4,843,741 A	7/1989	Yung-Mao	5,330,249 A	7/1994	Weber et al.
4,844,213 A	7/1989	Travis	5,376,318 A	12/1994	Ho
4,845,786 A	7/1989	Chiarella	5,421,035 A	6/1995	Klose et al.
4,845,861 A	7/1989	Moumdjian	5,423,087 A	6/1995	Krent et al.
4,845,863 A	7/1989	Yung-Mao	5,439,733 A	8/1995	Paire
4,852,704 A	8/1989	Brockenbrough	D364,487 S	11/1995	Tutton et al.
4,856,208 A	8/1989	Zaccaro	5,477,558 A	12/1995	Volker et al.
4,856,833 A	8/1989	Beekman	5,543,194 A	8/1996	Rudy
4,858,343 A	8/1989	Flemming	5,572,804 A	11/1996	Skaja et al.
4,858,606 A	8/1989	Hamlin	5,581,818 A	12/1996	Lorenzi et al.
4,872,220 A	10/1989	Haruvy et al.	5,591,379 A	1/1997	Shores
4,876,053 A	10/1989	Norton	5,598,588 A	2/1997	Lee
4,883,299 A	11/1989	Bonar	5,611,153 A	3/1997	Fisher et al.
4,887,369 A	12/1989	Bailey	5,655,226 A	8/1997	Williams
4,890,877 A	1/1990	Ashtiani-Zarandi et al.	5,669,079 A	9/1997	Morgan
4,899,467 A	2/1990	Mackey	5,734,994 A	4/1998	Rogers
4,904,008 A	2/1990	Glance	5,741,568 A	4/1998	Rudy
4,905,382 A	3/1990	Yung-Mao	5,766,704 A	6/1998	Allen et al.
4,909,661 A	3/1990	Ivey	5,891,372 A	4/1999	Besset et al.
4,912,861 A	4/1990	Huang	5,913,412 A	6/1999	Huber et al.
4,916,759 A	4/1990	Arai	5,946,734 A	9/1999	Vogan
4,918,841 A	4/1990	Turner	5,950,244 A	9/1999	Fournier et al.
4,920,663 A	5/1990	Flemming	D415,420 S *	10/1999	Chen D9/428
4,922,630 A	5/1990	Robinson	5,976,451 A	11/1999	Skaja et al.
4,922,631 A	5/1990	Anderie	5,992,054 A	11/1999	Rauch
4,923,650 A	5/1990	Antoon, Jr. et al.	5,996,126 A	12/1999	Barthold et al.
4,925,224 A	5/1990	Smiszek	6,029,962 A	2/2000	Shorten et al.
4,930,231 A	6/1990	Liu	6,051,624 A	4/2000	Bastin et al.
4,931,115 A	6/1990	Pajunen	6,070,271 A	6/2000	Williams
4,934,071 A	6/1990	Virgini	6,093,468 A	7/2000	Toms et al.
4,941,701 A	7/1990	Loren	6,098,313 A	8/2000	Skaja
4,951,986 A	8/1990	Hanafusa et al.	6,105,162 A	8/2000	Douglas et al.
D310,893 S	9/1990	Broersma	6,105,176 A	8/2000	Egger
4,969,680 A	11/1990	Shimoda	6,108,825 A	8/2000	Bell et al.

US D683,079 S

6,154,889	A	12/2000	Moore, III et al.	2003/0217483	A1	11/2003	Abraham
6,219,850	B1	4/2001	Halstead et al.	2003/0230866	A1	12/2003	Lee
6,298,497	B1	10/2001	Chartrand	2004/0188898	A1*	9/2004	Siefermann et al. 267/113
6,326,077	B1	12/2001	Monaci	2004/0199981	A1	10/2004	Tucker
6,351,854	B1	3/2002	Whalen et al.	2004/0200094	A1	10/2004	Baychar
6,381,759	B1	5/2002	Katz	2005/0166302	A1	8/2005	Dennis
6,383,431	B1	5/2002	Dobrin et al.	2005/0196592	A1	9/2005	Tao et al.
6,391,935	B1	5/2002	Hager et al.	2005/0268383	A1	12/2005	Harris
6,425,141	B1	7/2002	Ewing et al.	2006/0059605	A1	3/2006	Ferrara
6,434,755	B1	8/2002	Halstead et al.	2006/0059606	A1	3/2006	Ferrara
6,446,270	B1	9/2002	Durr	2006/0064900	A1	3/2006	Aveni
6,453,476	B1	9/2002	Moore, III	2006/0070170	A1	4/2006	Copeland et al.
6,460,207	B1	10/2002	Papay et al.	2007/0000032	A1	1/2007	Morgan
6,467,099	B2	10/2002	Dennis et al.	2007/0083965	A1	4/2007	Darnell et al.
6,485,446	B1	11/2002	Brother et al.	2007/0190292	A1	8/2007	Ferrara
6,499,147	B2	12/2002	Schiebl et al.	2007/0190293	A1	8/2007	Ferrara
6,532,602	B2	3/2003	Watters et al.	2007/0281125	A1	12/2007	Moore, III et al.
6,536,052	B2	3/2003	Tao et al.	2008/0035442	A1	2/2008	Spingler
D475,486	S	6/2003	Ide et al.	2008/0036242	A1	2/2008	Glance et al.
6,604,246	B1	8/2003	Obreja	2008/0155735	A1	7/2008	Ferrara
6,634,045	B1	10/2003	DuDonis et al.	2008/0166524	A1	7/2008	Skaja et al.
6,658,671	B1	12/2003	Von Holst et al.	2008/0256686	A1	10/2008	Ferrara
6,671,889	B2	1/2004	Dennis et al.	2008/0307568	A1	12/2008	Sajic
6,679,967	B1	1/2004	Carroll, III et al.	2009/0038055	A1	2/2009	Ferrara
6,681,409	B2	1/2004	Dennis et al.	2009/0178184	A1	7/2009	Brine, III et al.
6,682,128	B2	1/2004	Carroll, III et al.	2009/0179361	A1	7/2009	Vito et al.
D491,695	S	6/2004	Long	2009/0210998	A1	8/2009	Rolla
6,752,450	B2	6/2004	Carroll, III et al.	2009/0222975	A1	9/2009	Green et al.
D492,818	S *	7/2004	Ide et al. D29/122	2009/0265841	A1	10/2009	Ferrara
D495,096	S	8/2004	Long	2009/0289026	A1	11/2009	Ferrara
6,803,005	B2	10/2004	Dennis et al.	2010/0000009	A1	1/2010	Morgan
6,926,947	B1	8/2005	Seckel	2010/0186150	A1	7/2010	Ferrara et al.
D521,191	S	5/2006	Berger	2010/0258988	A1	10/2010	Darnell et al.
D523,180	S	6/2006	Frye	2010/0264571	A1	10/2010	Tarazona De La Asuncion et al.
7,240,376	B2	7/2007	Ide et al.	2010/0295221	A1	11/2010	Kligerman et al.
7,255,910	B1	8/2007	Seckel	2010/0299812	A1	12/2010	Maddux et al.
7,299,505	B2	11/2007	Dennis et al.	2010/0299813	A1	12/2010	Morgan
7,316,036	B2	1/2008	Rudolf et al.	2011/0047678	A1	3/2011	Barth et al.
7,338,038	B2	3/2008	Maurer et al.	2011/0047685	A1	3/2011	Ferrara
7,341,776	B1	3/2008	Milliren et al.	2011/0074075	A1	3/2011	Henry et al.
7,360,822	B2	4/2008	Carroll, III et al.	2011/0107503	A1	5/2011	Morgan
D570,055	S *	5/2008	Ferrara et al. D29/122	2011/0131695	A1	6/2011	Maddux et al.
7,377,577	B2	5/2008	Carroll, III et al.	2011/0167542	A1	7/2011	Bayne et al.
7,384,095	B2	6/2008	Cormier	2011/0198788	A1	8/2011	Hines
7,404,593	B2	7/2008	Cormier	2011/0296594	A1	12/2011	Thomas et al.
D577,866	S	9/2008	Frye et al.	2012/0017358	A1	1/2012	Princip et al.
D581,599	S	11/2008	Ferrara et al.	2012/0036620	A1	2/2012	Harris
D582,607	S *	12/2008	Ferrara et al. D29/106	2012/0060251	A1	3/2012	Schimpf
7,458,172	B2	12/2008	Aveni				
7,464,414	B2	12/2008	McDuff				
D584,456	S *	1/2009	Ferrara D29/122				
7,513,344	B2	4/2009	Toccalino	CA	2681439	11/2008	
7,574,760	B2	8/2009	Foley et al.	CA	2696242	2/2009	
D603,103	S *	10/2009	Ferrara et al. D29/122	CN	101227842	7/2008	
7,603,725	B2	10/2009	Harris	CN	101627222	1/2010	
7,625,023	B2	12/2009	Audi et al.	CN	101707885	5/2010	
D608,688	S	1/2010	Dalzell et al.	CN	10172099	6/2010	
7,673,351	B2 *	3/2010	Copeland et al. 2/425	CN	101873811	10/2010	
7,676,854	B2	3/2010	Berger et al.	EP	1685019	8/2006	
7,677,538	B2	3/2010	Darnell et al.	EP	1848293	10/2007	
D617,503	S	6/2010	Szalkowski	EP	1927294	6/2008	
D621,099	S	8/2010	Johnson et al.	EP	1937466	7/2008	
D622,449	S	8/2010	Culley et al.	EP	1848293	7/2009	
7,774,866	B2	8/2010	Ferrara	EP	2092210	8/2009	
7,802,320	B2	9/2010	Morgan	EP	2132516	12/2009	
7,895,681	B2	3/2011	Ferrara	EP	2146177	1/2010	
D637,356	S	5/2011	Green et al.	EP	2180802	5/2010	
7,950,073	B2 *	5/2011	Ferrara 2/417	ES	2330138	12/2009	
D640,422	S	6/2011	Green et al.	FR	2717659	9/1995	
7,959,023	B2	6/2011	Ferrara	HK	1112163	11/2009	
8,069,498	B2	12/2011	Maddux et al.	JP	54-148845	11/1979	
8,104,593	B2	1/2012	Lin	SU	659134	4/1979	
D655,051	S	2/2012	O'Keefe et al.	WO	91/05489	5/1991	
D663,076	S	7/2012	Parsons et al.	WO	2006/005189	1/2006	
D665,663	S *	8/2012	Krupa D9/428	WO	2006/088500	8/2006	
D666,779	S	9/2012	Harris	WO	2006/089098	8/2006	
2002/0017805	A1	2/2002	Carroll, III et al.	WO	2006/089235	8/2006	
2002/0152542	A1	10/2002	Dennis et al.	WO	2007/035800	3/2007	
2002/0168496	A1	11/2002	Morimoto et al.	WO	2008011708	1/2008	
				WO	2008/105840	9/2008	

FOREIGN PATENT DOCUMENTS

WO	2008/140650	11/2008
WO	2009/020583	2/2009
WO	2009/134334	11/2009
WO	2010/087957	8/2010

OTHER PUBLICATIONS

The Messier Project: the Technology, www.casacadeicehockey.com/the-technology.html, video slides of the Seven Technology, the video shows 80% compression (2 pages) Jan. 19, 2010.

Schutt Sports: Helmets—HotHead Technology, www.schuttsports.com/asp/Sport/ProductCatalog.aspx?id-953 (1 page) Jan. 19, 2010.

Technology/SKYDEX, www.skydex.com/technology (3 pages) Jan. 19, 2010.

Blast Limiting/SKYDEX, www.skydex.com/technology/blast_limiting (7 pages) Jan. 19, 2010.

Impact Mitigation/SKYDEX, www.skydex.com/technology/impact_mitigation (7 pages) Jan. 19, 2010.

Manufacturing/SKYDEX, www.skydex.com/technology/manufacturing (2 pages) Jan. 19, 2010.

Development Process/SKYDEX, www.skydex.com/technology/development_process (2 pages) Jan. 19, 2010.

Selection Guide/SKYDEX, www.skydex.com/technology/selection_guide (3 pages) Jan. 19, 2010.

Patent Informaton/SKYDEX, 222.skydex.com/technology/patent (2 pages) Jan. 19, 2010.

Vs. Foam/SKYDEX, www.skydex.com/technology/vs_foam (1 page) Jan. 19, 2010.

Markets & Products/SKYDEX, www.skydex.com/markets_products (3 pages) Jan. 19, 2010.

Military Ballistic Helmet Pads/SKYDEX, www.skydex.com/helmet_pads (6 pages) Jan. 19, 2010.

Body Padding/SKYDEX, [www. Wkydex.com/athletic/body_padding](http://www.Wkydex.com/athletic/body_padding) (1 page) Jan. 19, 2010.

* cited by examiner

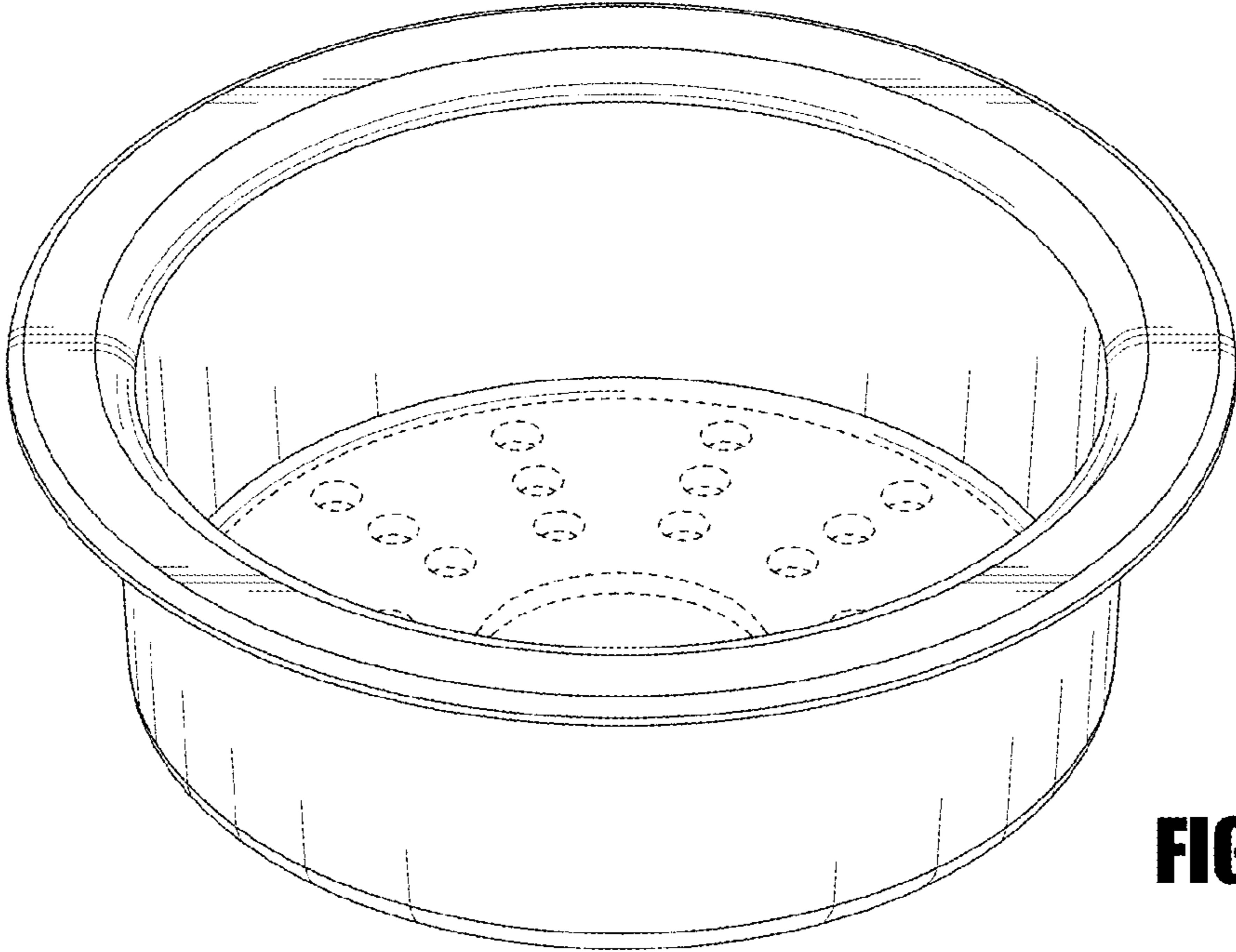


FIG. 1

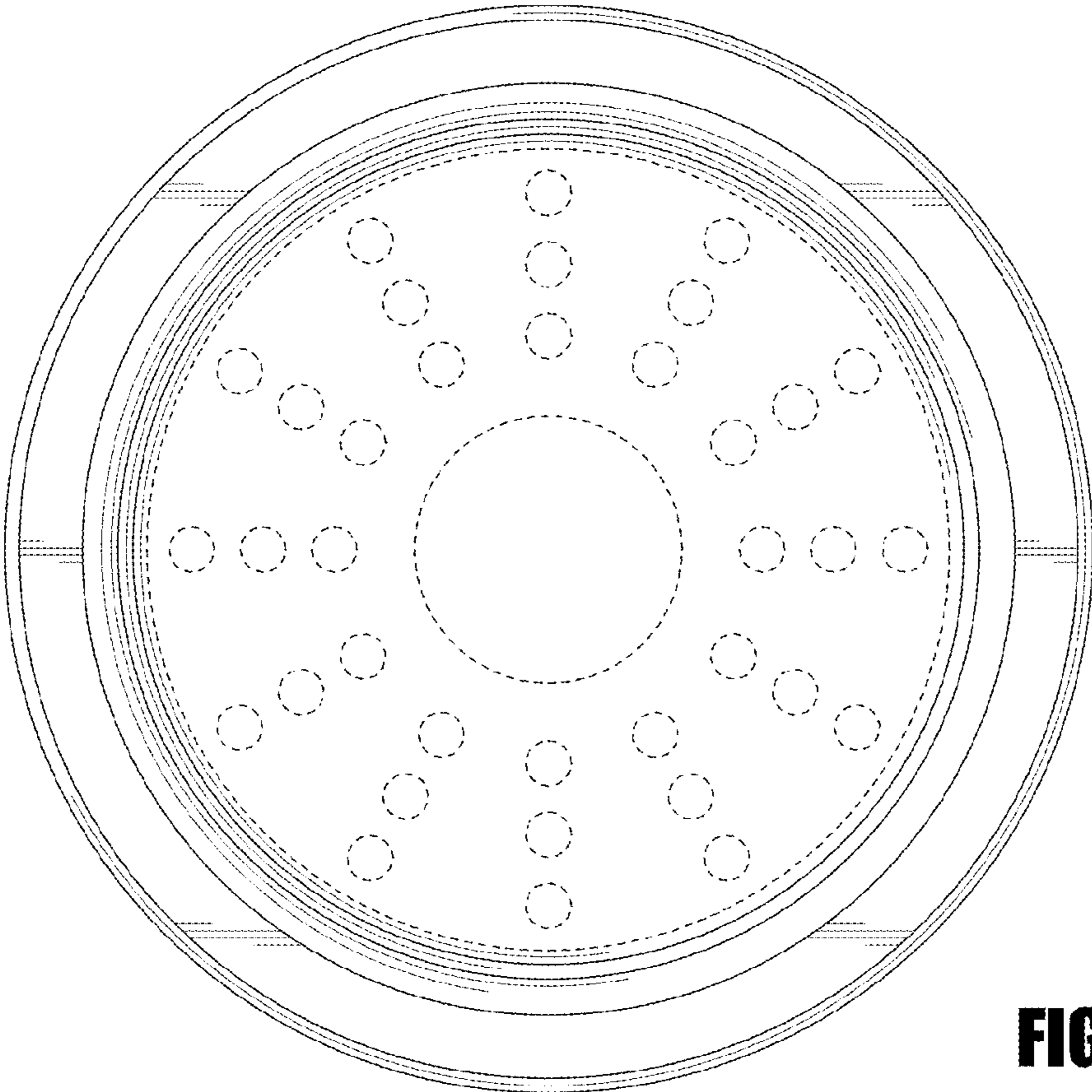


FIG. 2

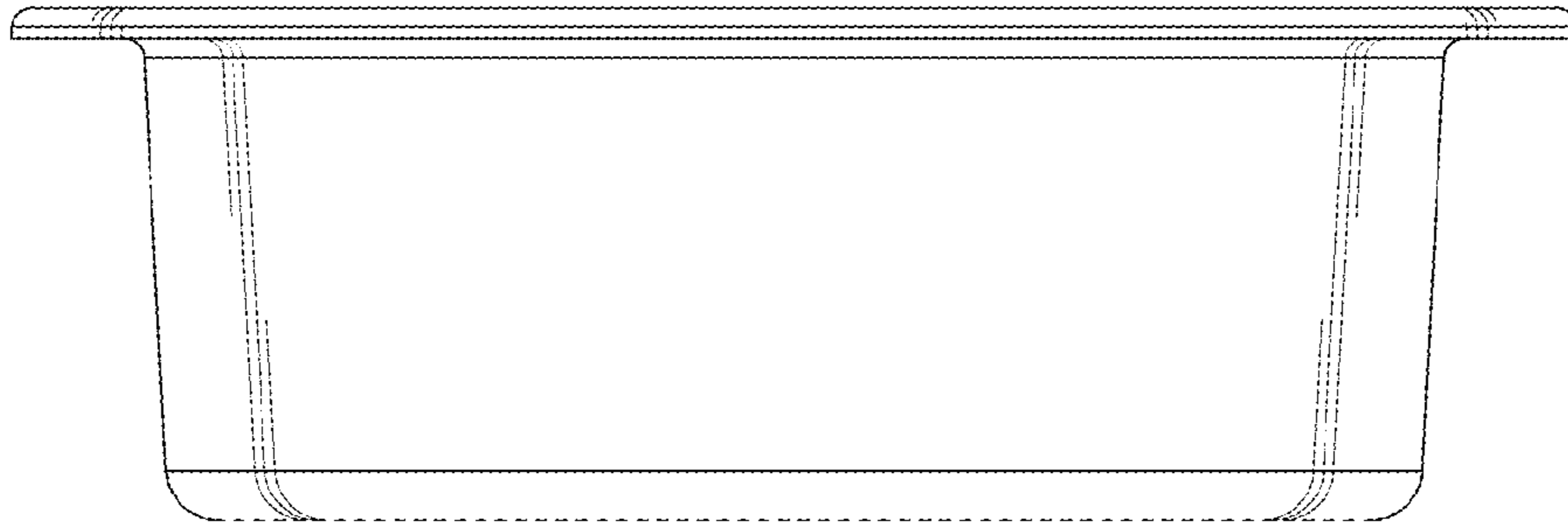


FIG. 3

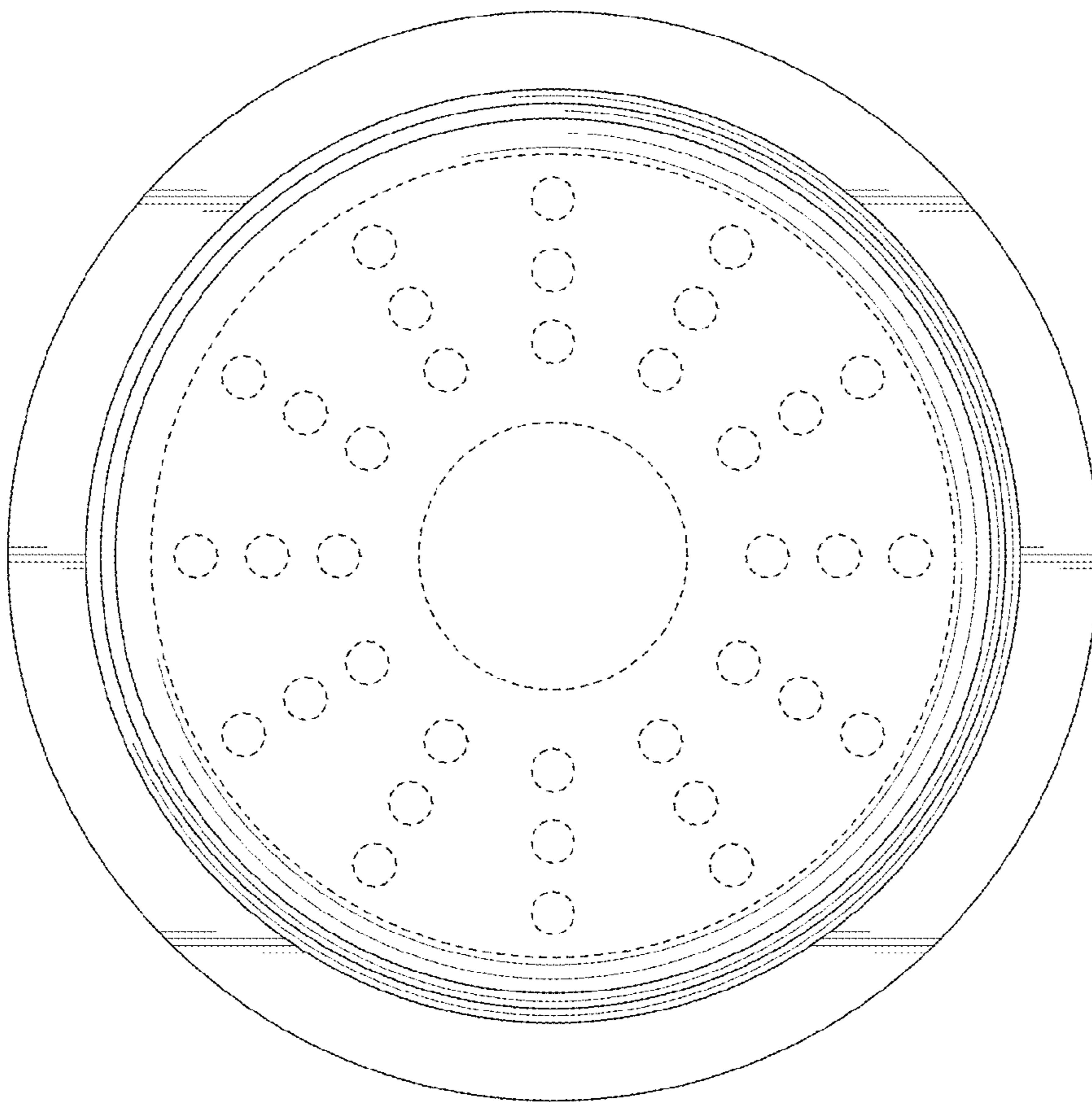


FIG. 4