



US00D683077S

(12) **United States Design Patent**
Klotz et al.

(10) **Patent No.:** **US D683,077 S**

(45) **Date of Patent:** **** May 21, 2013**

(54) **VISOR INTERFACE**

(75) Inventors: **Robert Klotz**, Jefferson Hills, PA (US);
Rebecca Kreke, Pittsburgh, PA (US);
Mark Hall, Spring Church, PA (US)

(73) Assignee: **Mine Safety Appliances Company**,
Cranberry Township, PA (US)

(**) Term: **14 Years**

(21) Appl. No.: **29/388,889**

(22) Filed: **Apr. 4, 2011**

(51) **LOC (9) Cl.** **29-02**

(52) **U.S. Cl.**
USPC **D29/110**

(58) **Field of Classification Search** D29/100,
D29/102, 103, 104, 105, 106, 107, 108, 109,
D29/110, 111, 122; D24/189, 190, 191,
D24/124; 2/9, 410-414, 416-425, 209.13,
2/906, 6.7, 7, 8.1, 8.2, 8.6, 8.7, 171, 171.3,
2/427, 429, 10, 206, 173, 4, 457; 128/889,
128/201.24, 201.15, 857, 858, 891; 602/74,
602/41, 58; 604/358

See application file for complete search history.

(56) **References Cited**

U.S. PATENT DOCUMENTS

1,337,036	A *	4/1920	Bergmann	2/12
2,968,812	A *	1/1961	Vivolo	2/12
3,605,115	A *	9/1971	Bohner	2/10
D254,638	S *	4/1980	Bay, Jr.	D29/109
5,007,109	A *	4/1991	Wheeler	2/10
D331,820	S *	12/1992	Scanlon	D29/110
5,206,956	A *	5/1993	Olson	2/13
D341,230	S *	11/1993	Kamata	D29/107
D359,586	S *	6/1995	Lofton	D29/110
D361,868	S *	8/1995	Raugh	D29/109
D370,310	S *	5/1996	Reuber et al.	D29/110

D373,223	S *	8/1996	Pernicka et al.	D29/110
D374,951	S *	10/1996	Machson	D29/110
D375,583	S *	11/1996	Landis et al.	D29/108
D376,674	S *	12/1996	Kamata	D29/107
D380,872	S *	7/1997	Wickland	D29/109

(Continued)

Primary Examiner — Elizabeth J Oswecki

(74) *Attorney, Agent, or Firm* — Bartony & Associates, LLC

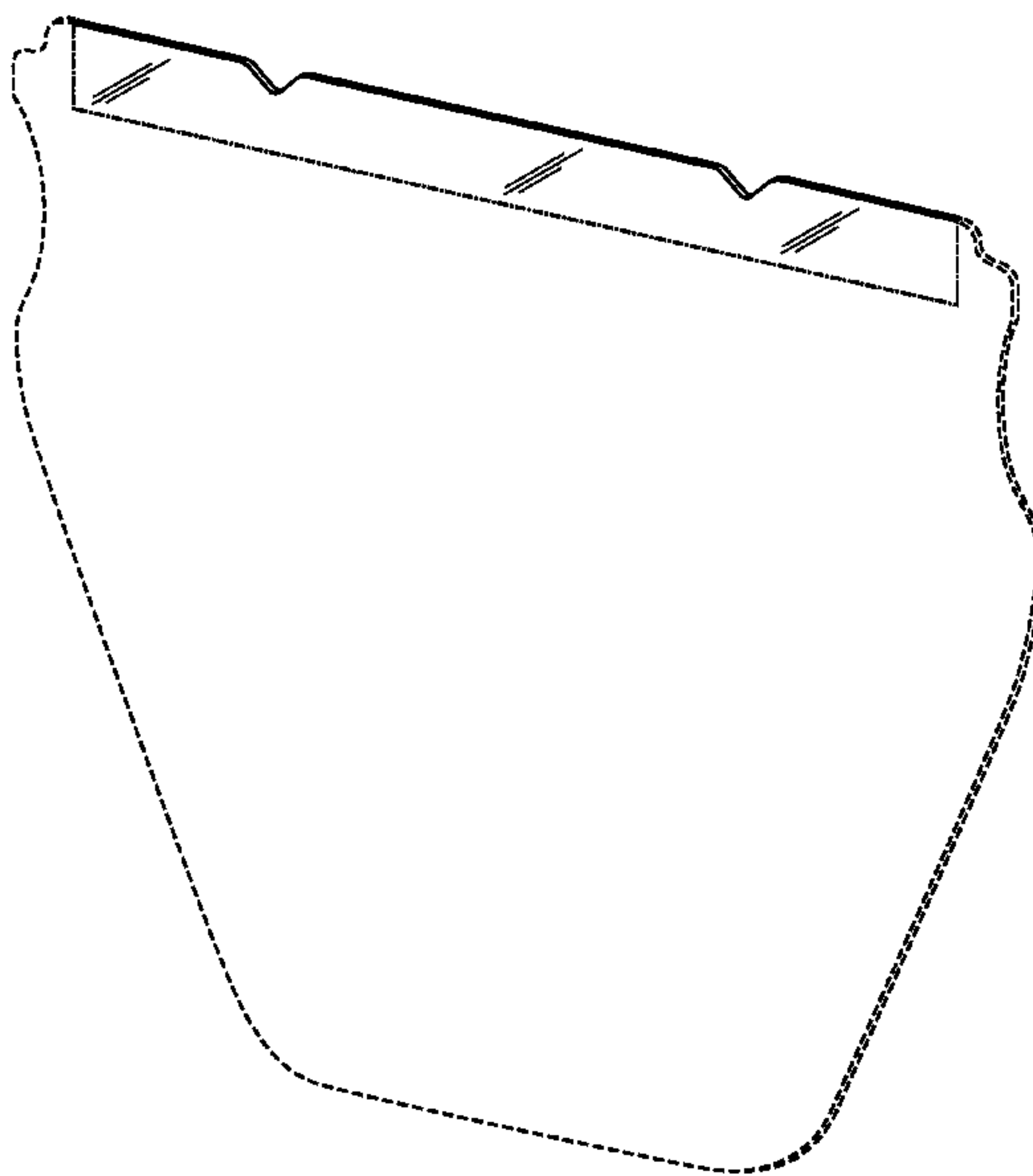
(57) **CLAIM**

The ornamental design for a visor interface, as shown and described.

DESCRIPTION

FIG. 1 is a perspective view of a visor interface showing our new design in an unused condition;
 FIG. 2 is a front view thereof, the rear view is identical;
 FIG. 3 is a top view thereof;
 FIG. 4 is a perspective view of the visor interface of FIG. 1 shown in a used condition;
 FIG. 5 is another perspective view of the visor interface of FIG. 1 shown in a used condition, connected to a chin guard and a visor frame which is connected to a helmet, wherein the chin guard, the visor frame and the helmet are illustrated in broken lines;
 FIG. 6 is a front view of the visor interface of FIG. 1 shown in a used condition;
 FIG. 7 is a rear view thereof, shown in a used condition;
 FIG. 8 is a side view thereof, shown in a used condition, the opposite side view is identical; and,
 FIG. 9 is a top view thereof, shown in a used condition.
 The dashed-dot-dashed lines shown beneath and to the sides of the shaded area on the visor interface form the boundary line of the claimed design. The broken lines of the outer edges of the visor frame in FIGS. 1-9, chin guard in FIG. 5, visor frame in FIG. 5 and helmet in FIG. 5 form no part of the claimed design.

1 Claim, 8 Drawing Sheets



US D683,077 S

Page 2

U.S. PATENT DOCUMENTS

D380,873	S	*	7/1997	Reuber	D29/110			
5,765,223	A	*	6/1998	McCausland	2/9			
D404,849	S	*	1/1999	Desy	D29/110			
D417,756	S	*	12/1999	Crupi et al.	D29/110			
D454,667	S	*	3/2002	Chartrand et al.	D29/110			
D481,173	S	*	10/2003	Alexander et al.	D29/110			
D492,450	S	*	6/2004	Fournier et al.	D29/122			
D541,991	S	*	5/2007	Lawrence	D29/122			
D568,545	S	*	5/2008	Schaffner	D29/110			
7,725,949	B2	*	6/2010	Landis	2/9			

* cited by examiner

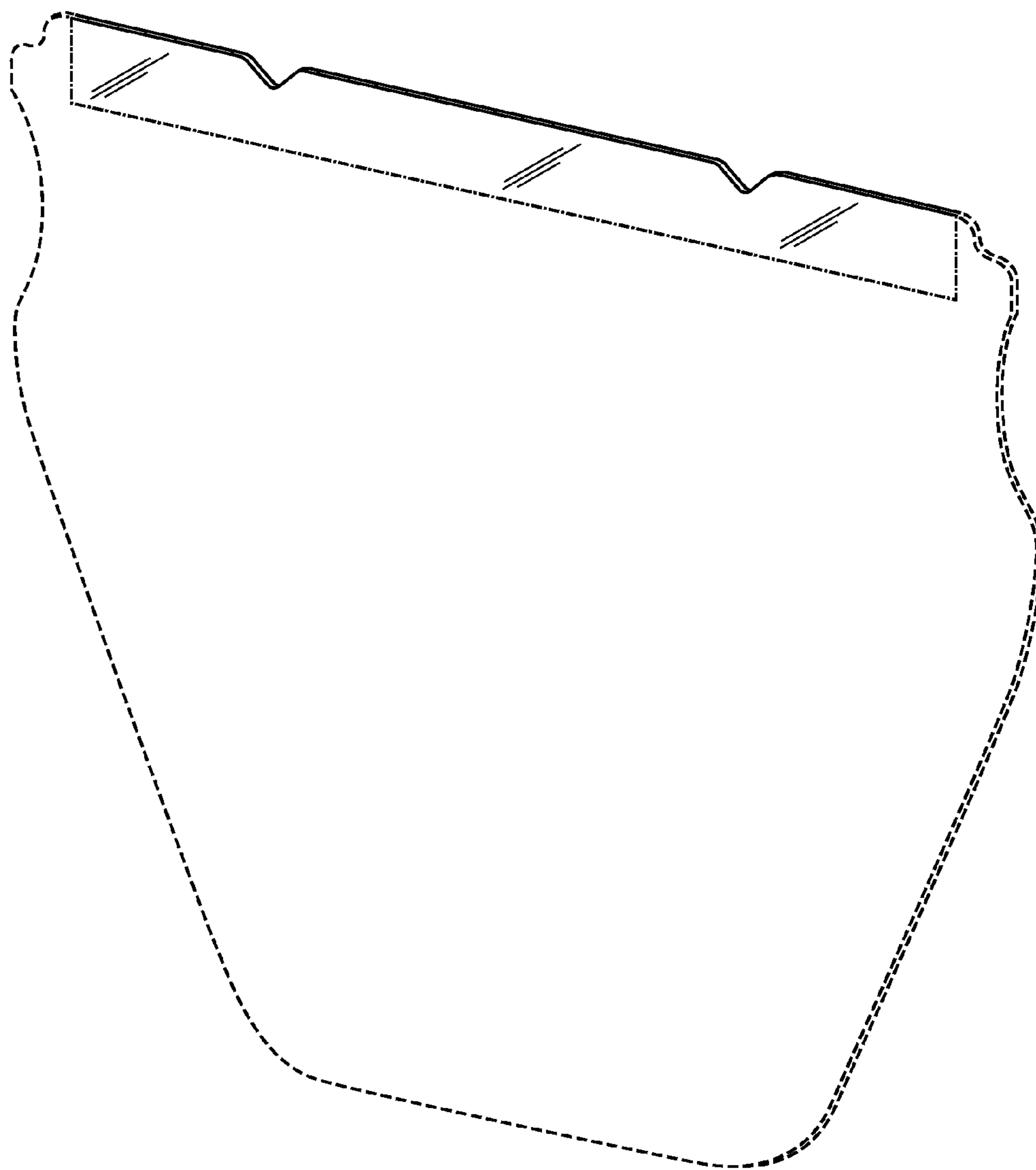


FIG. 1

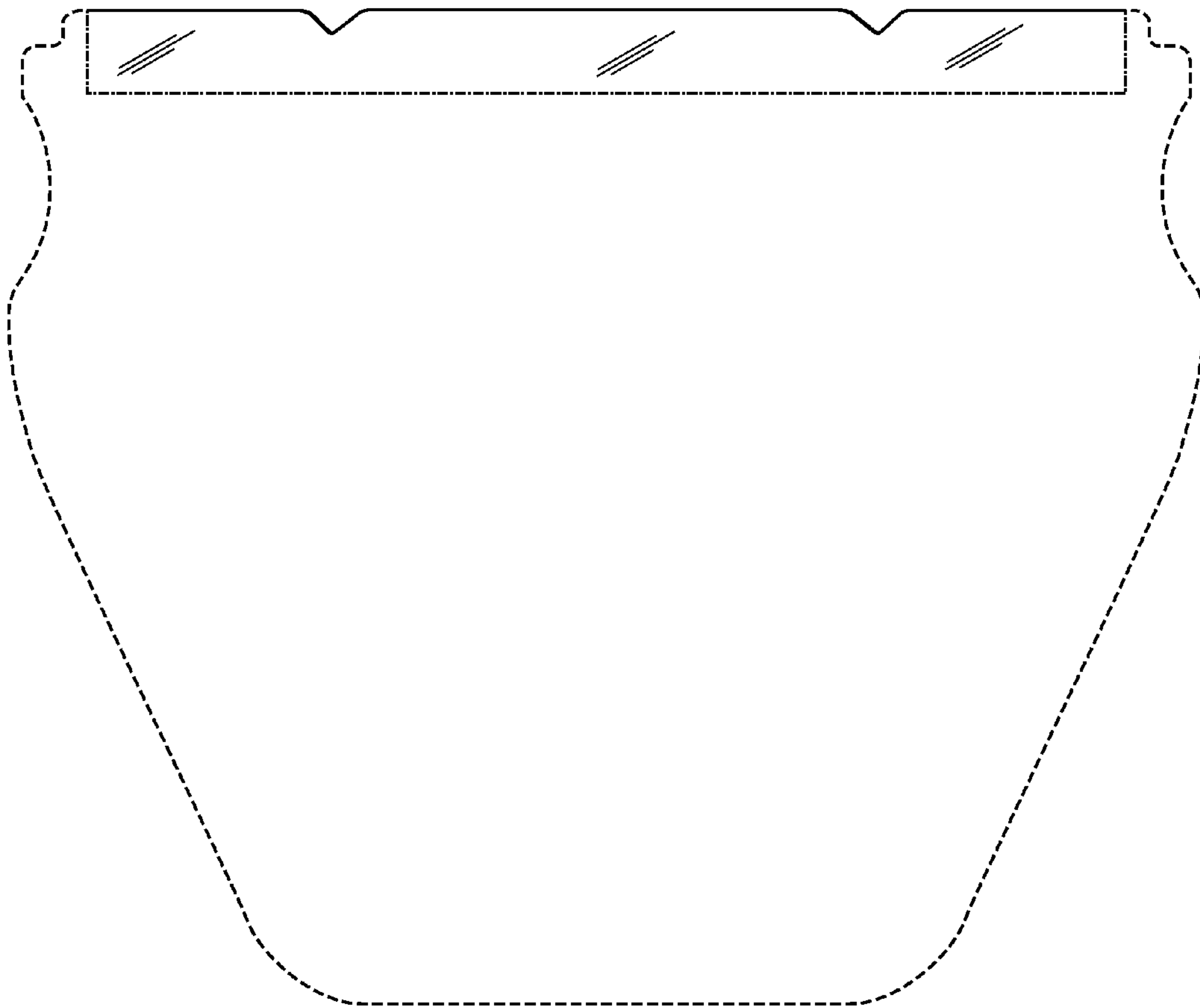


FIG. 2



FIG. 3

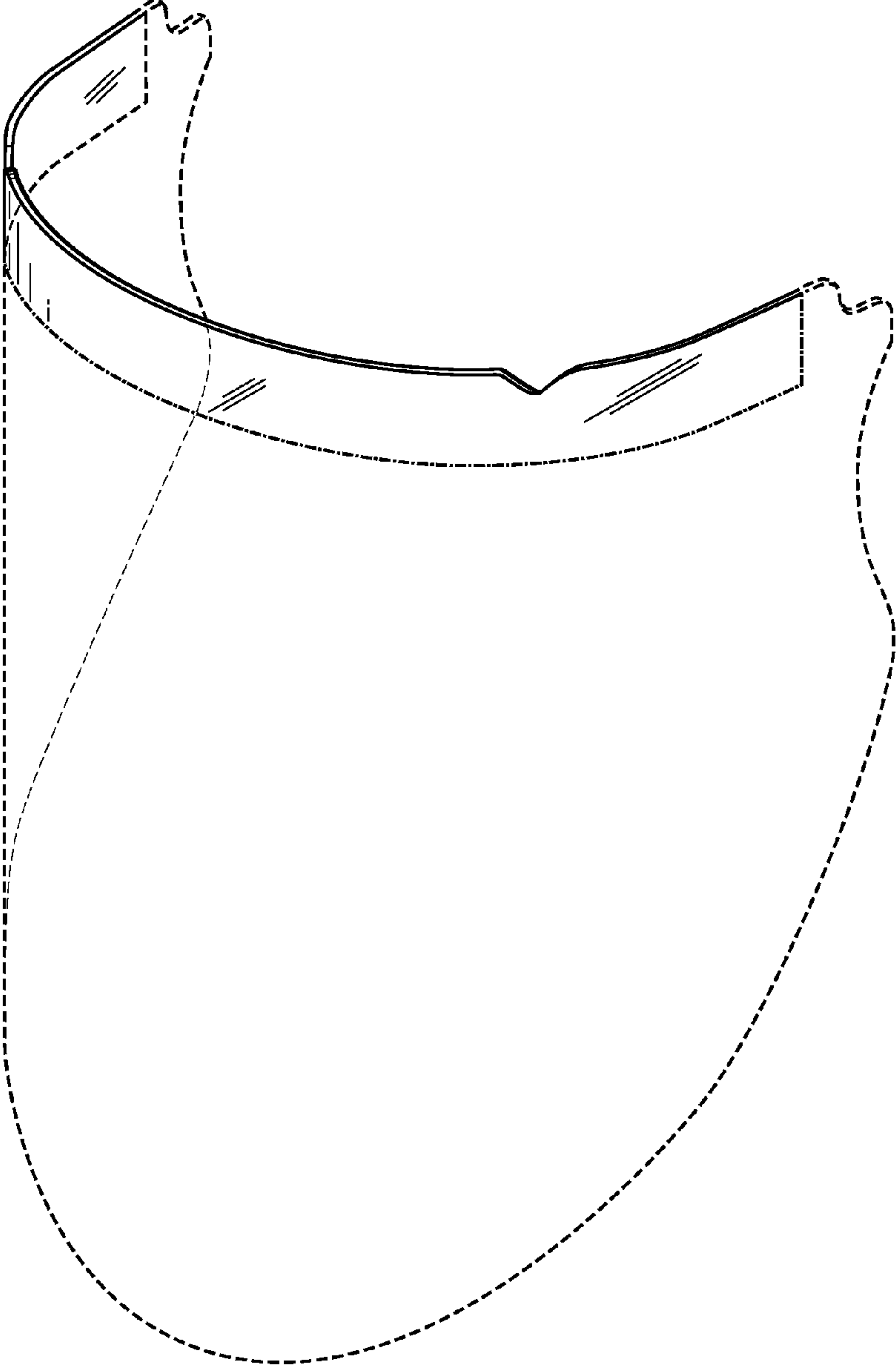


FIG. 4

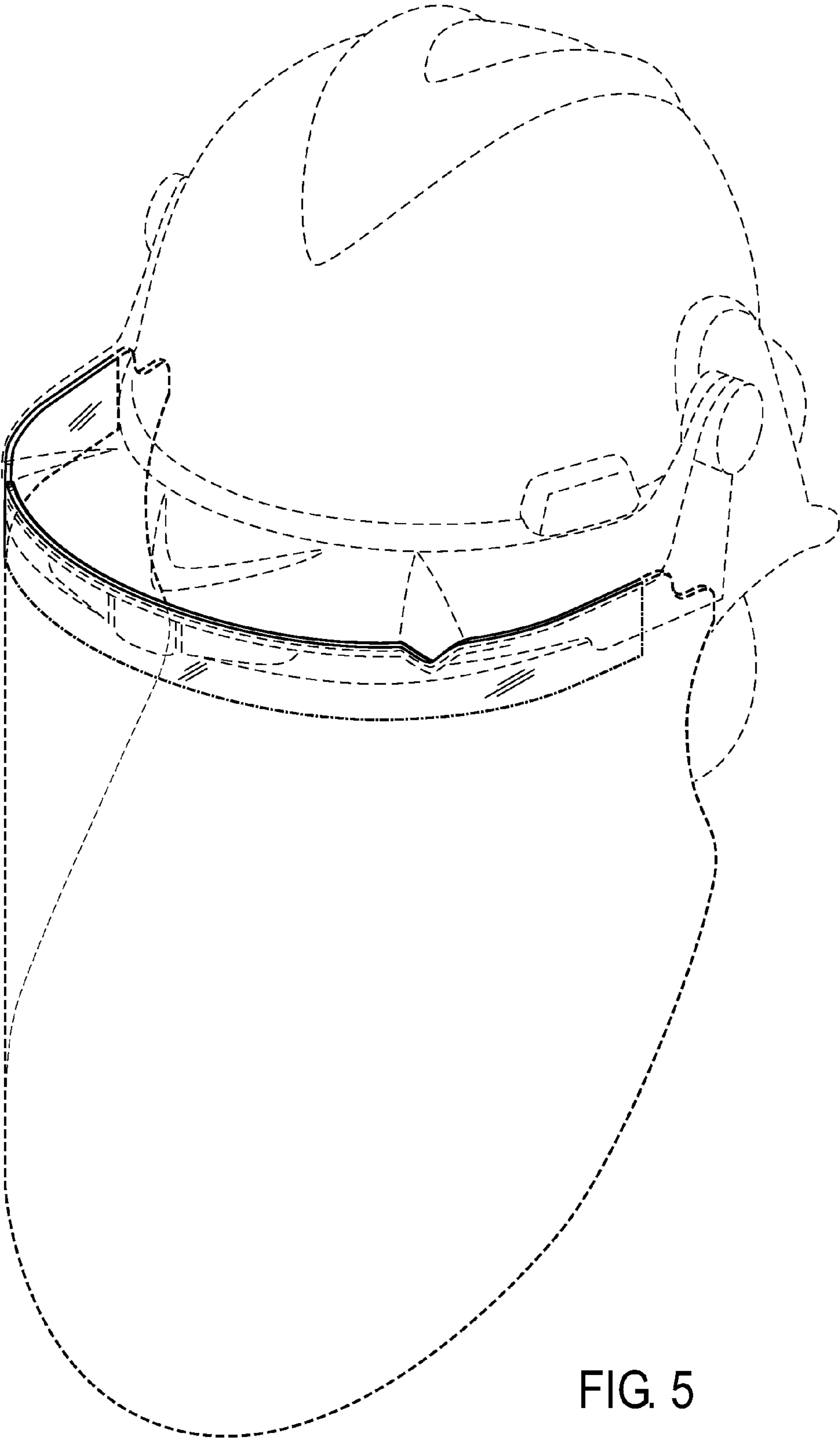


FIG. 5

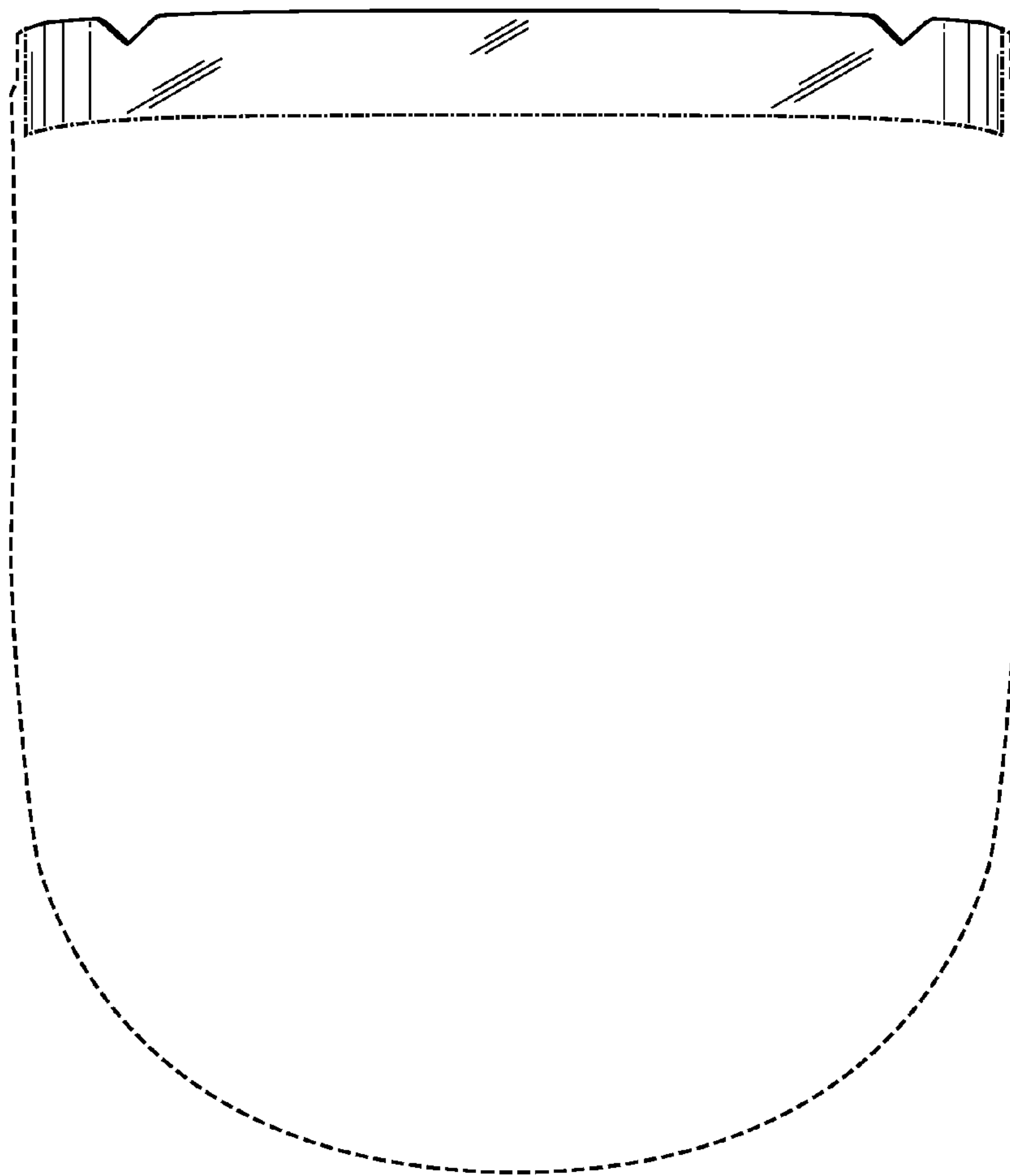


FIG. 6

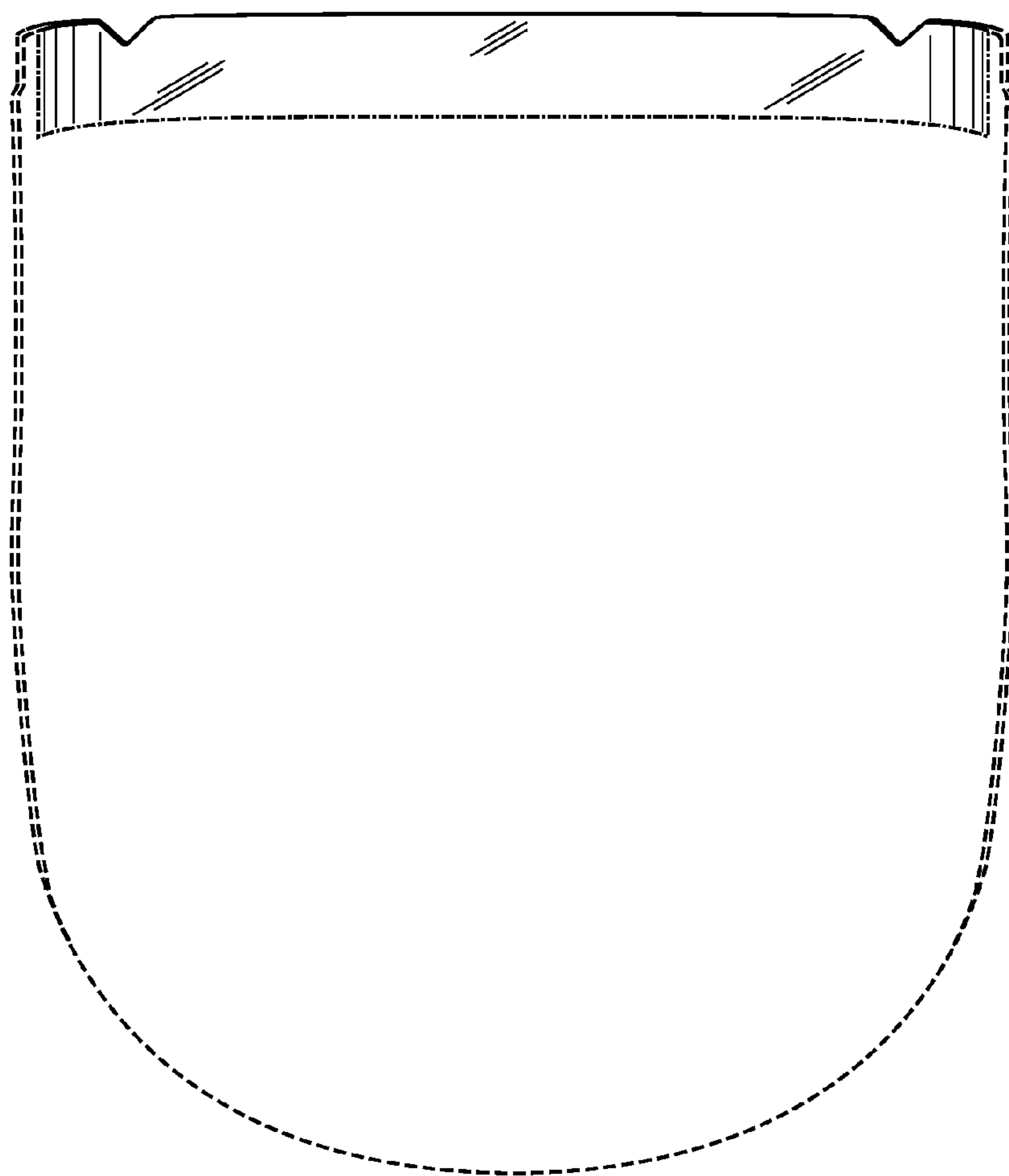


FIG. 7

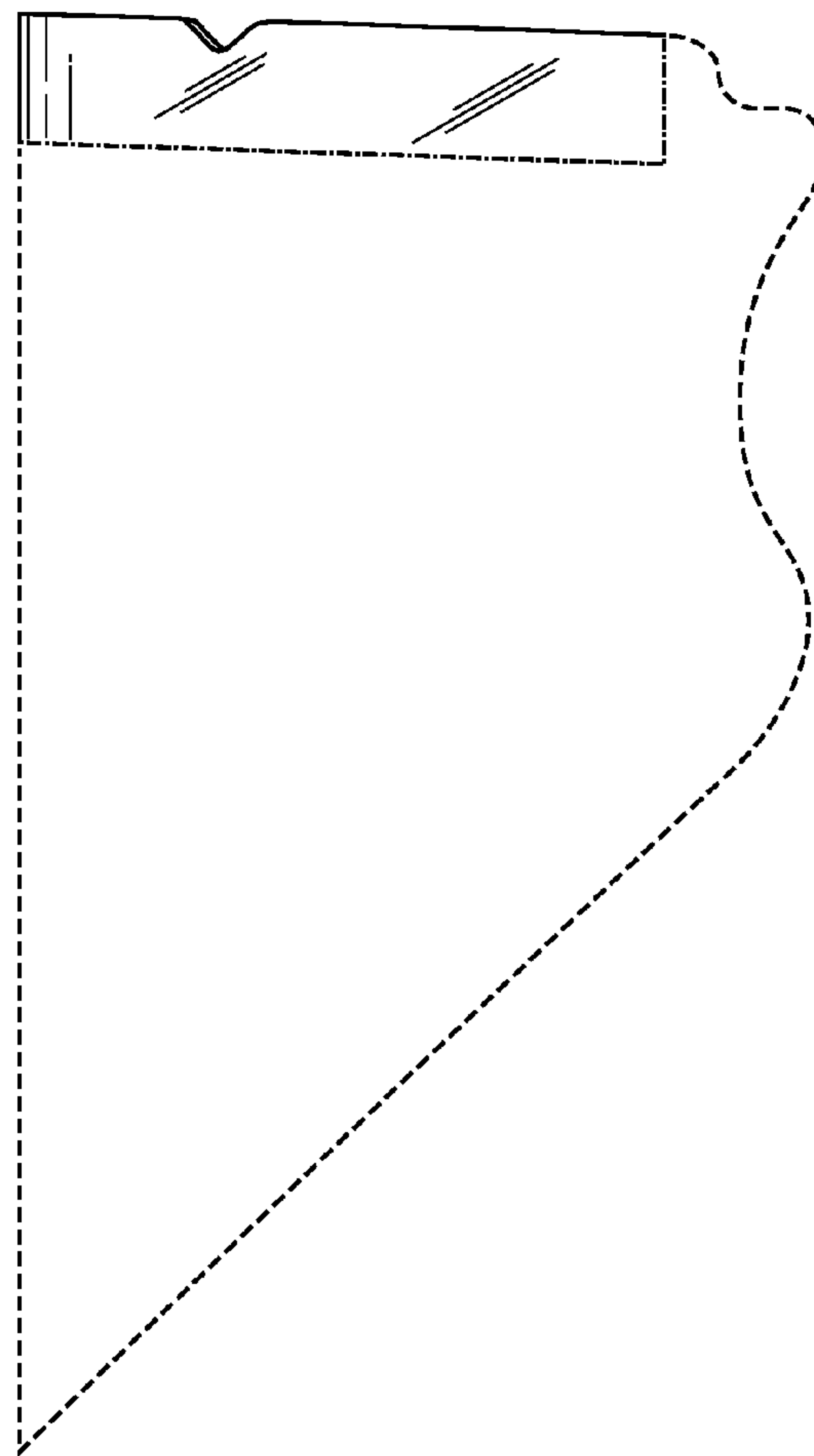


FIG. 8

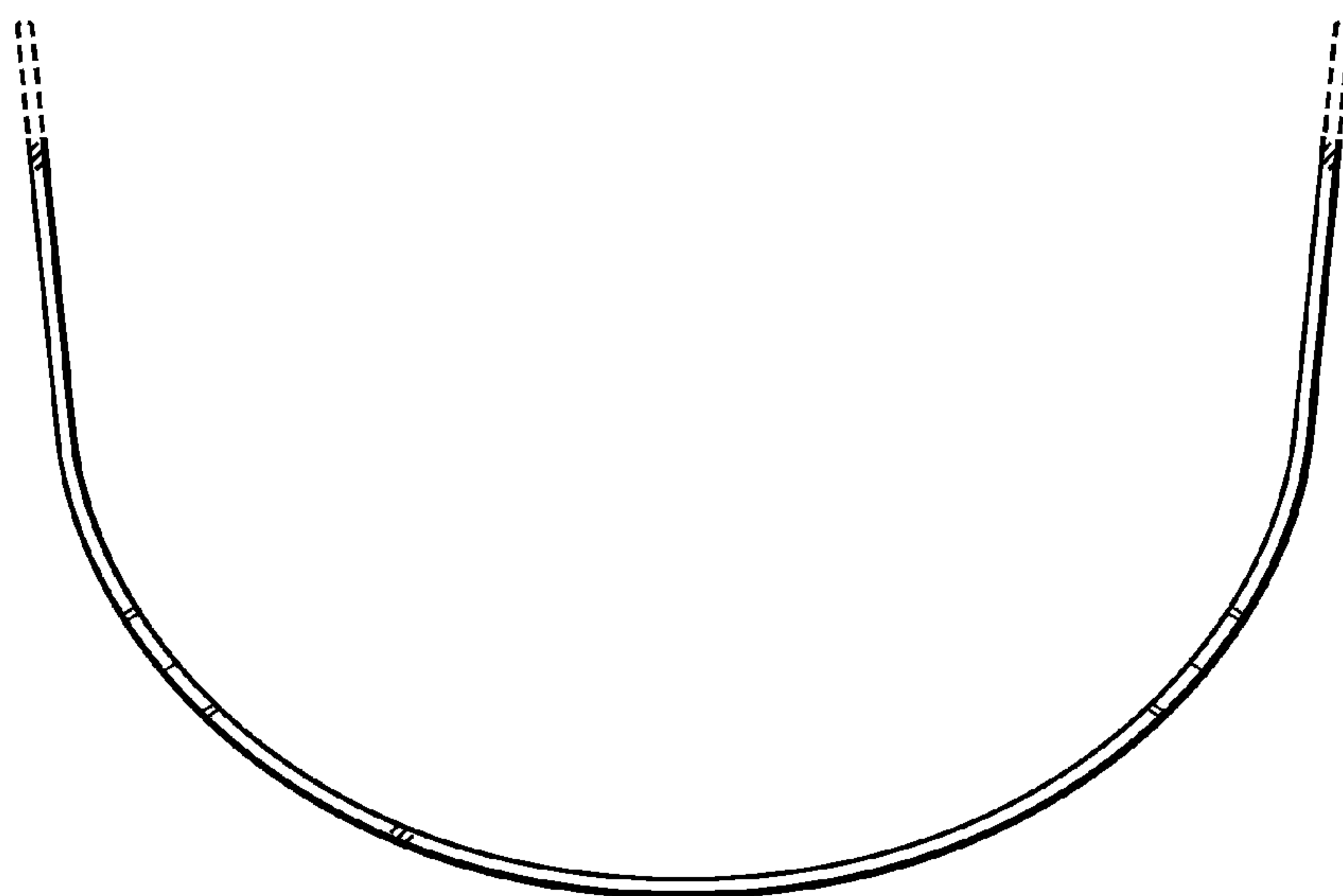


FIG. 9