



US00D683075S

(12) **United States Design Patent**
Ishida et al.

(10) **Patent No.:** **US D683,075 S**
(45) **Date of Patent:** **** May 21, 2013**

(54) **HAND DRYER**

(75) Inventors: **Kenji Ishida**, Tokyo (JP); **Hiroyuki Kato**, Tokyo (JP); **Yuki Tanaka**, Tokyo (JP)

(73) Assignee: **Mitsubishi Electric Corporation**, Tokyo (JP)

(**) Term: **14 Years**

(21) Appl. No.: **29/384,204**

(22) Filed: **Jan. 28, 2011**

(30) **Foreign Application Priority Data**

Jul. 28, 2010 (JP) 2010-018353

(51) **LOC (9) Cl.** **28-03**

(52) **U.S. Cl.**
USPC **D28/54.1**

(58) **Field of Classification Search** D28/12,
D28/54.1, 58; 34/266, 201, 202; 392/381,
392/380; D23/357, 361, 385
See application file for complete search history.

(56) **References Cited**

U.S. PATENT DOCUMENTS

D463,624 S * 9/2002 Oduber D28/54.1
D533,305 S * 12/2006 Takahashi et al. D28/54.1

D542,974 S * 5/2007 Karraker et al. D28/54.1
D548,399 S * 8/2007 Nikaido et al. D28/54.1
D580,596 S * 11/2008 Hsu D28/54.1
D614,812 S * 4/2010 Liu D28/54.1
D643,576 S * 8/2011 Chan D28/58
D662,259 S * 6/2012 Vu et al. D28/58

FOREIGN PATENT DOCUMENTS

JP D1149785 S 8/2002
TW D116610 S 4/2007

* cited by examiner

Primary Examiner — Zenia Bennett

(74) *Attorney, Agent, or Firm* — Sughrue Mion, PLLC

(57) **CLAIM**

The ornamental design for a hand dryer, as shown and described.

DESCRIPTION

FIG. 1 is a perspective view of the top, front and right side of hand dryer showing our new design;
FIG. 2 is a front view thereof;
FIG. 3 is a rear view thereof;
FIG. 4 is a top plan view thereof;
FIG. 5 is a bottom view thereof;
FIG. 6 is a left side view thereof; and,
FIG. 7 is a right side view thereof.

1 Claim, 5 Drawing Sheets

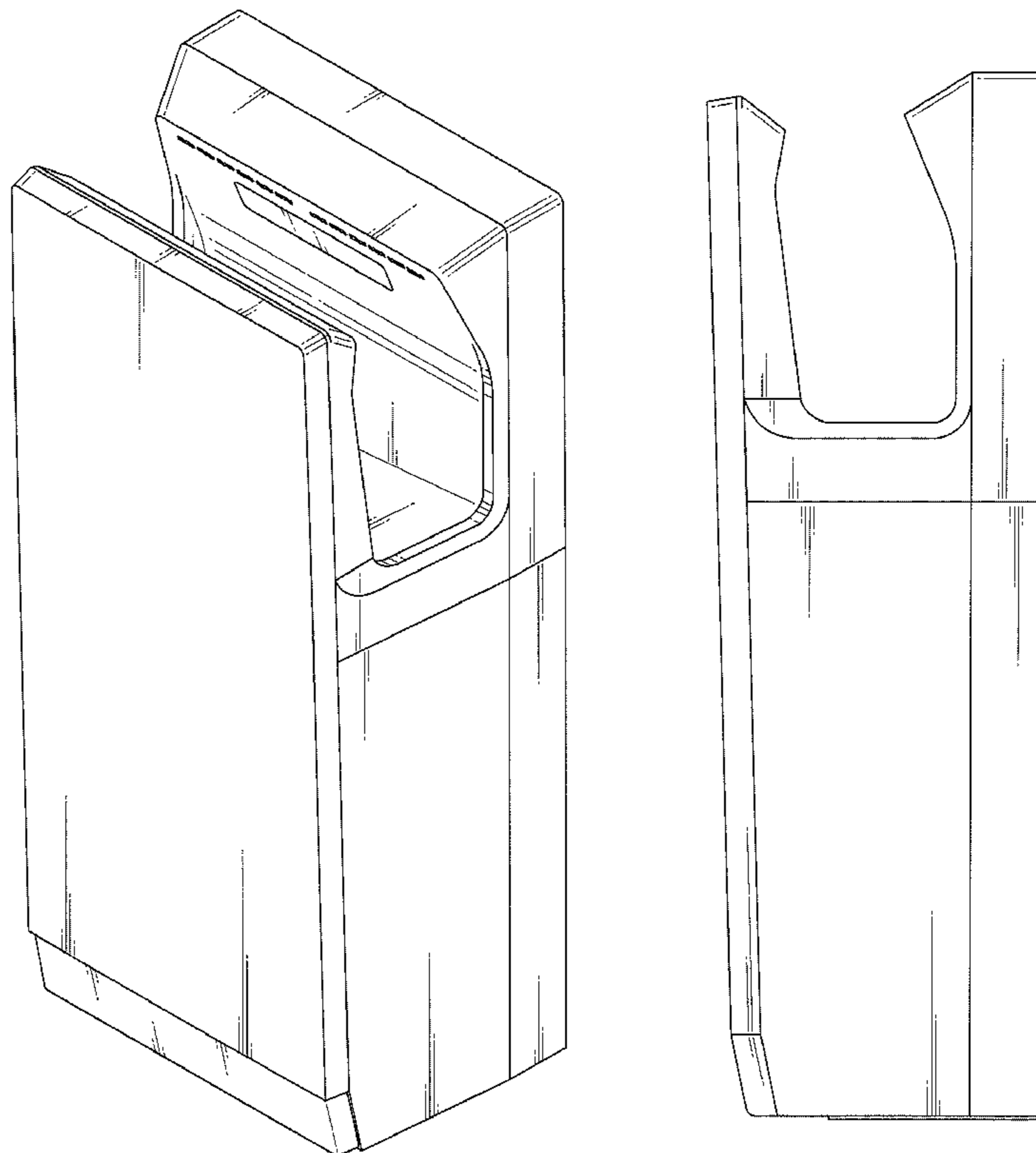


Fig. 1

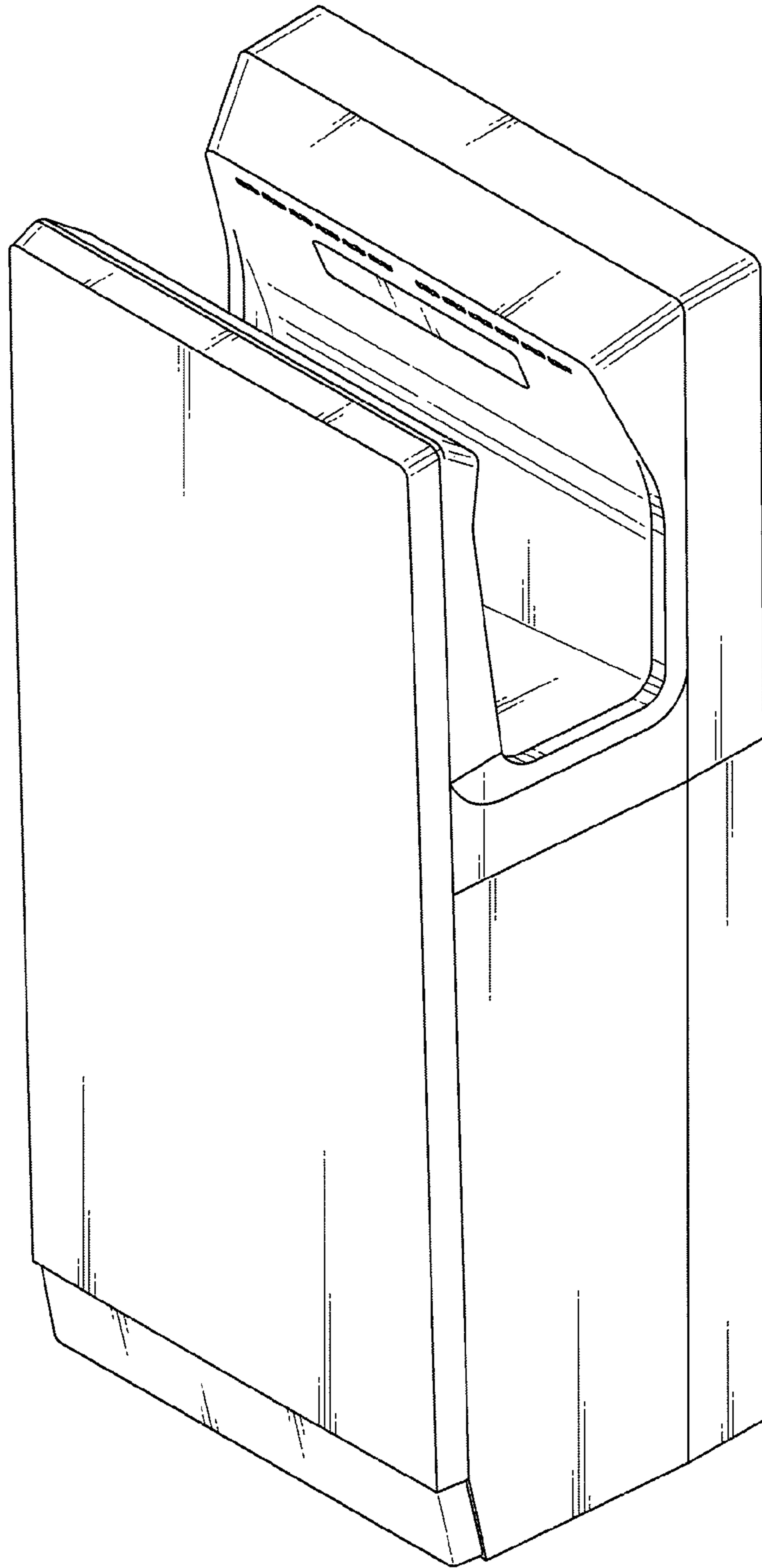


Fig. 2

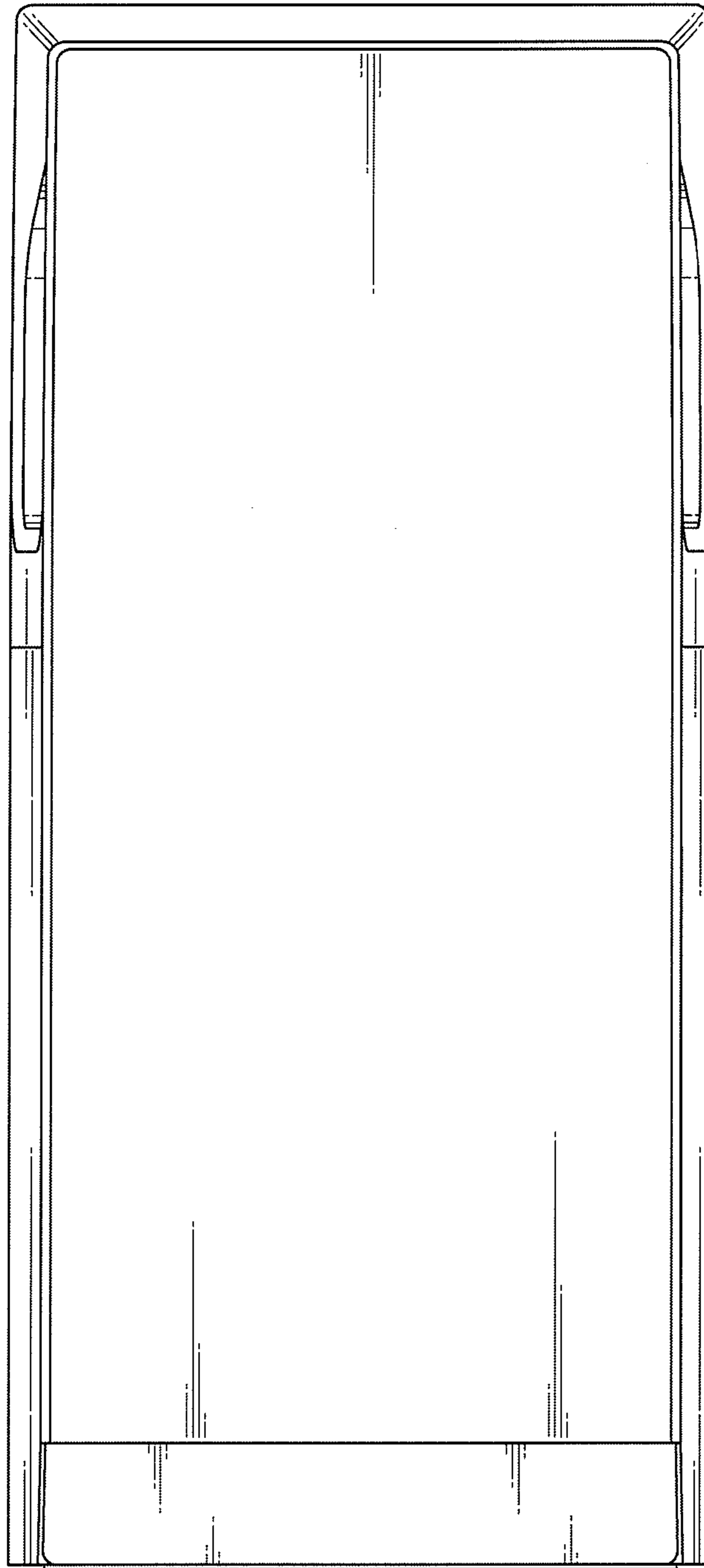


Fig. 3

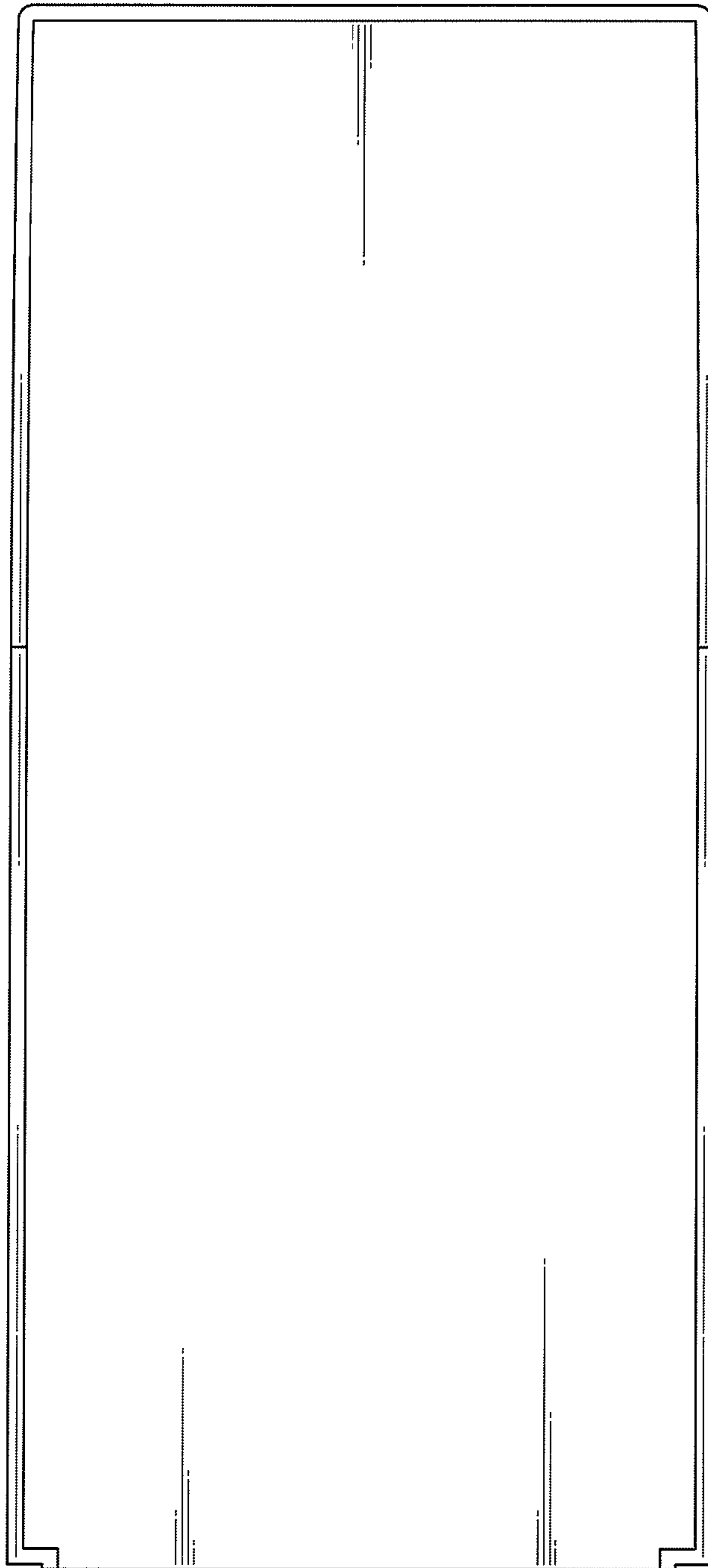


Fig. 4

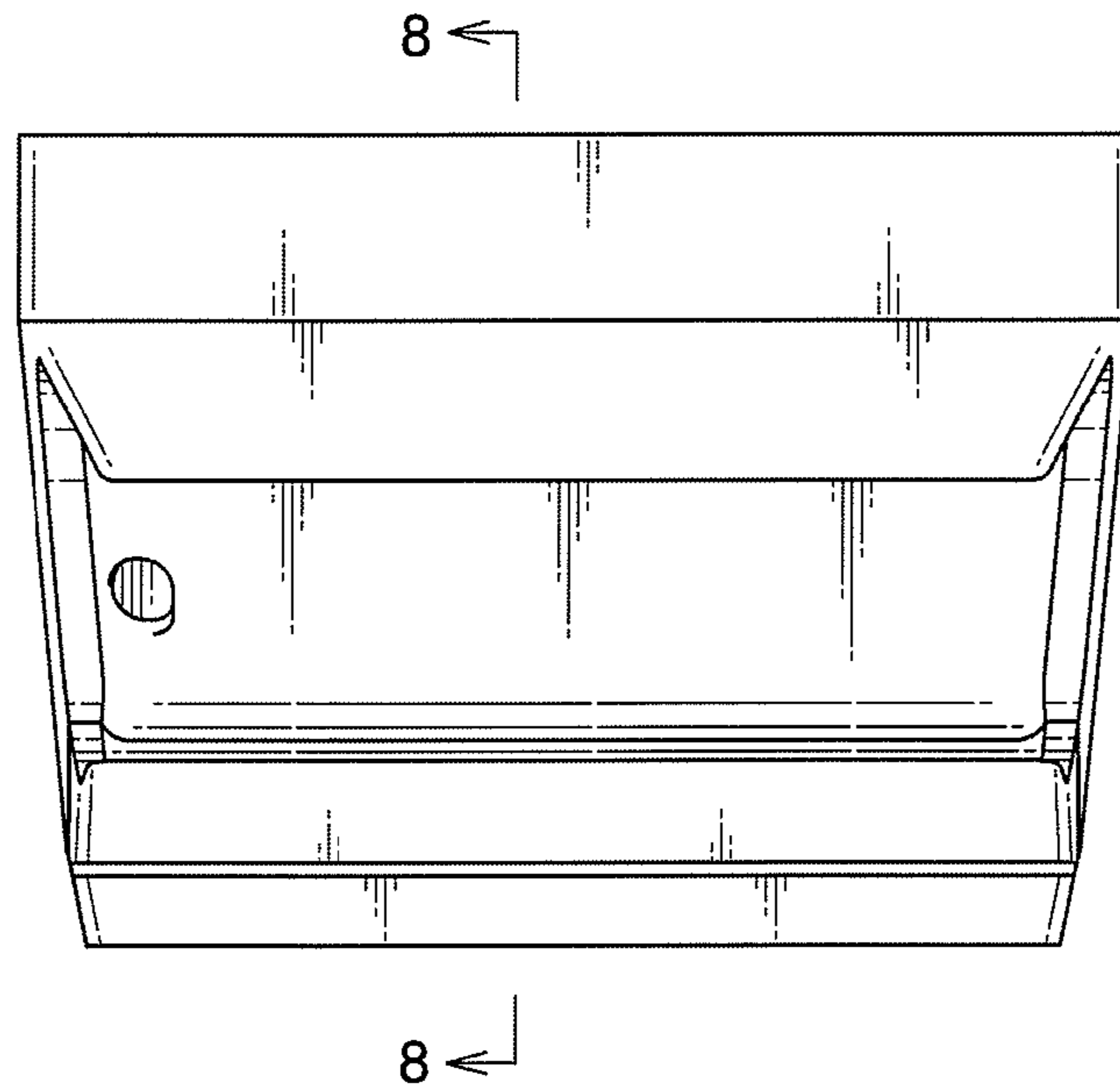


Fig. 5

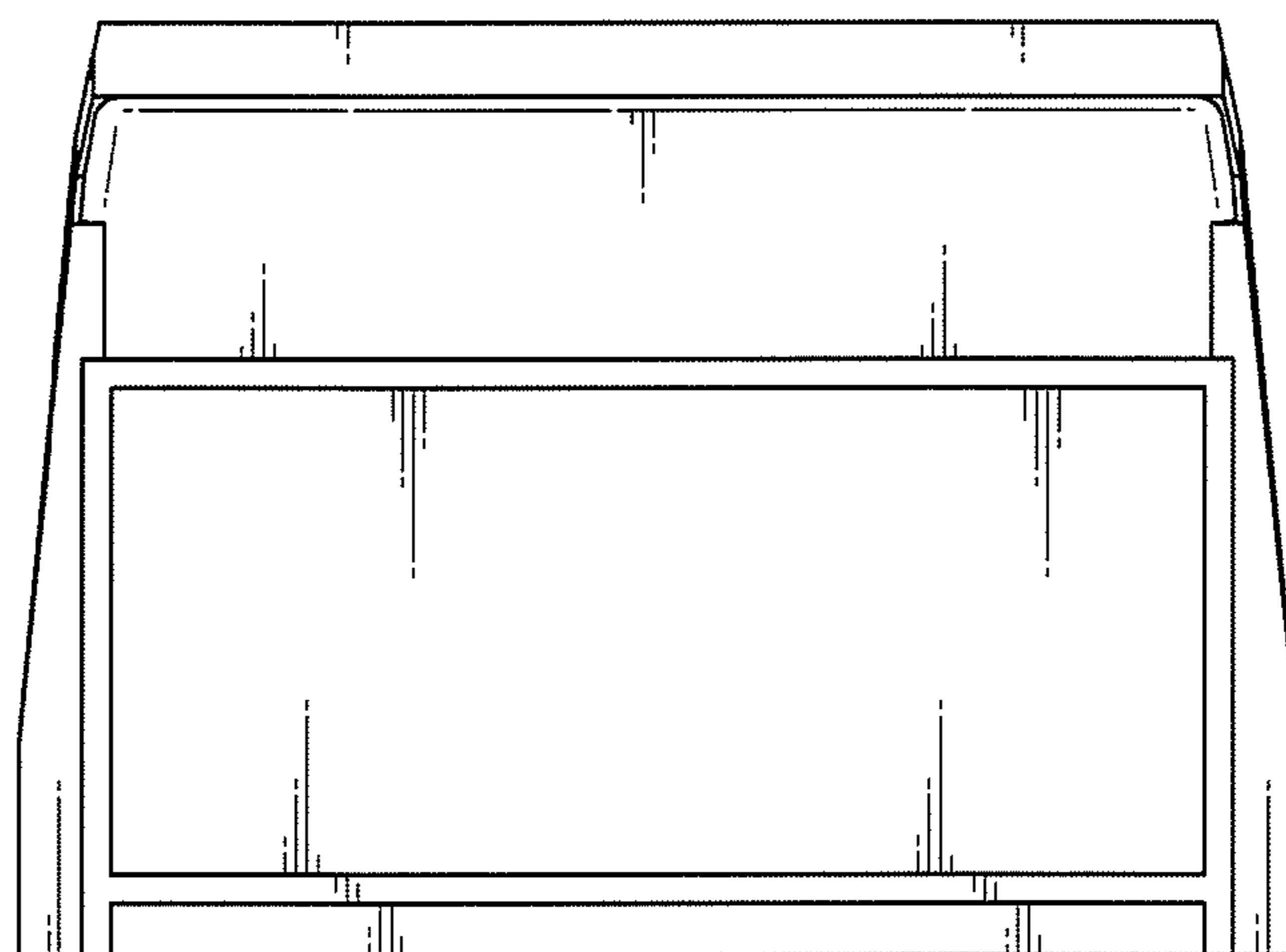


Fig. 6

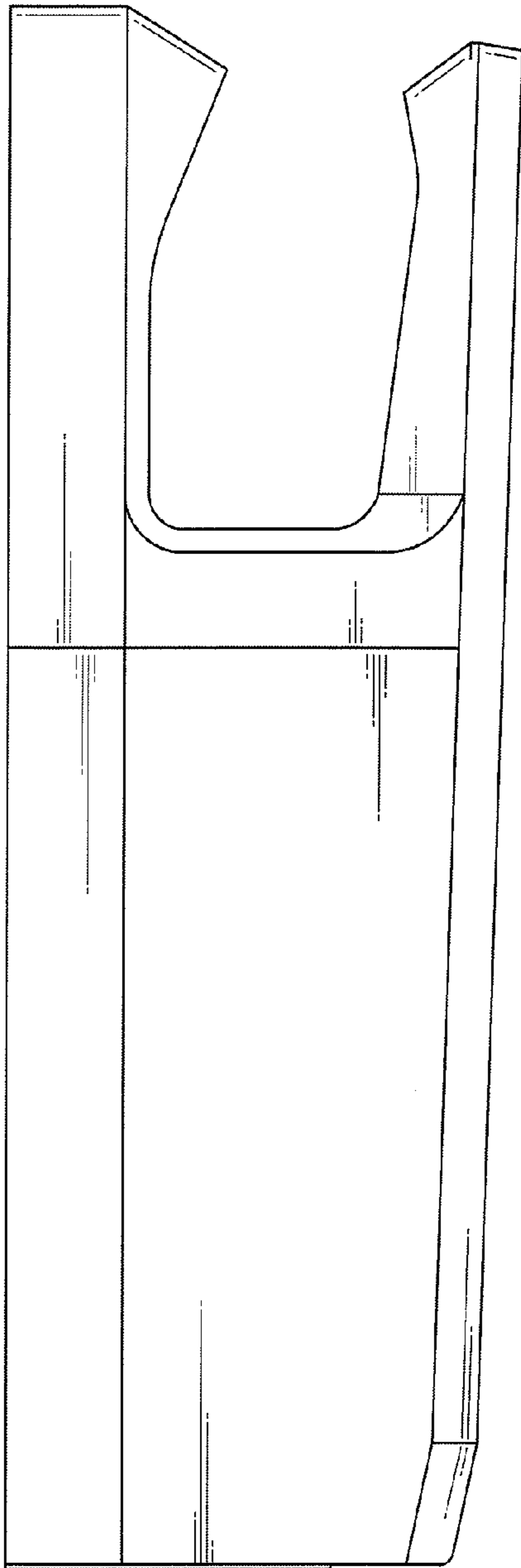


Fig. 7

