



US00D683069S

(12) **United States Design Patent**  
**Lambertz**

(10) **Patent No.:** **US D683,069 S**

(45) **Date of Patent:** **\*\* May 21, 2013**

(54) **CHILI-PEPPER-SHAPED ASHTRAY**

(76) Inventor: **Bruce Lambertz**, West Covina, CA  
(US)

(\*\*) Term: **14 Years**

(21) Appl. No.: **29/422,881**

(22) Filed: **May 24, 2012**

(51) **LOC (9) Cl.** ..... **27-03**

(52) **U.S. Cl.**  
USPC ..... **D27/119**

(58) **Field of Classification Search** ..... D27/134,  
D27/107, 119, 106, 131, 231, 235.1, 236,  
D27/240.1, 241, 242, 242.6, 238, 108, 122,  
D27/189, 172, 104, 102, 105, 110, 123, 135,  
D27/138, 136, 137, 124, 103; D11/151;  
220/576, 495.01, 23.2, 405; D7/396.2, 213  
See application file for complete search history.

(56) **References Cited**

U.S. PATENT DOCUMENTS

D17,627 S \* 8/1887 Carr ..... D11/151  
D33,916 S \* 1/1901 McConnell ..... D26/101  
D125,780 S \* 3/1941 Miller ..... D27/119

D152,213 S \* 12/1948 Potts ..... D27/119  
D203,237 S \* 12/1965 Hoover ..... D27/119  
D238,587 S \* 1/1976 Howell ..... D27/131  
D480,504 S \* 10/2003 Taylor ..... D27/119  
D588,307 S \* 3/2009 Lambertz ..... D27/119

\* cited by examiner

*Primary Examiner* — Robert M Spear

*Assistant Examiner* — Janice Hallmark

(74) *Attorney, Agent, or Firm* — Steins & Associates, P.C.

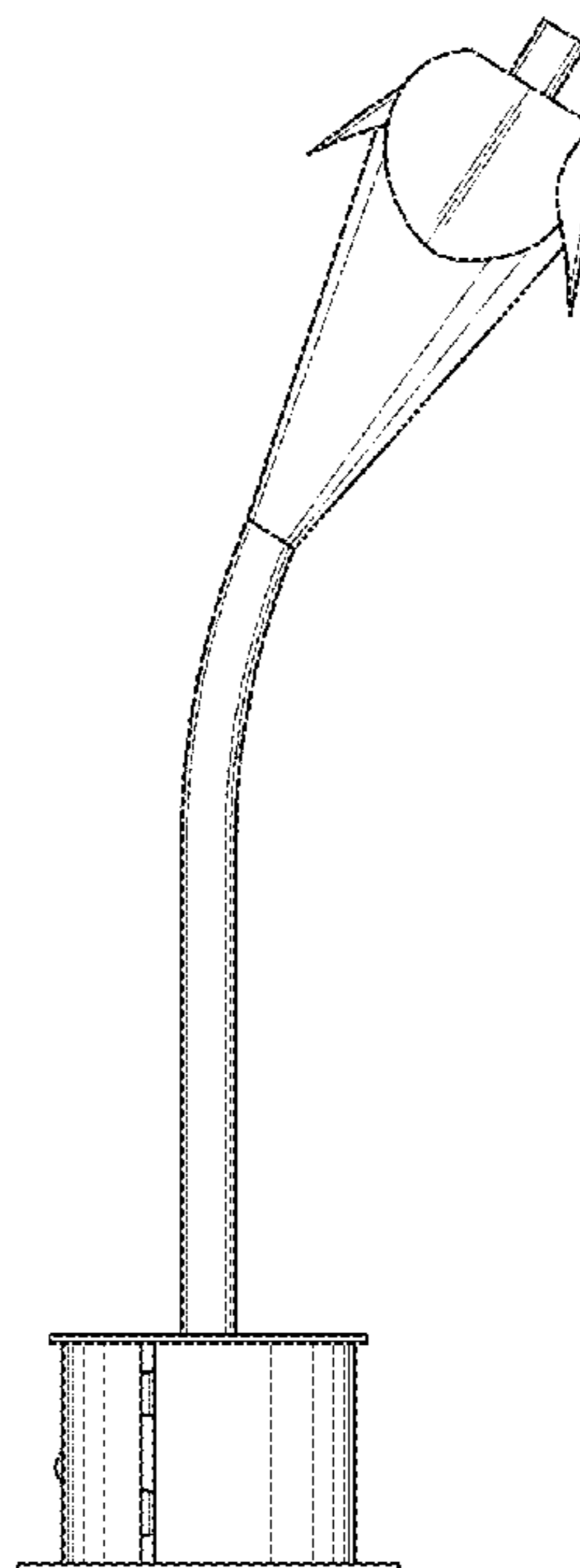
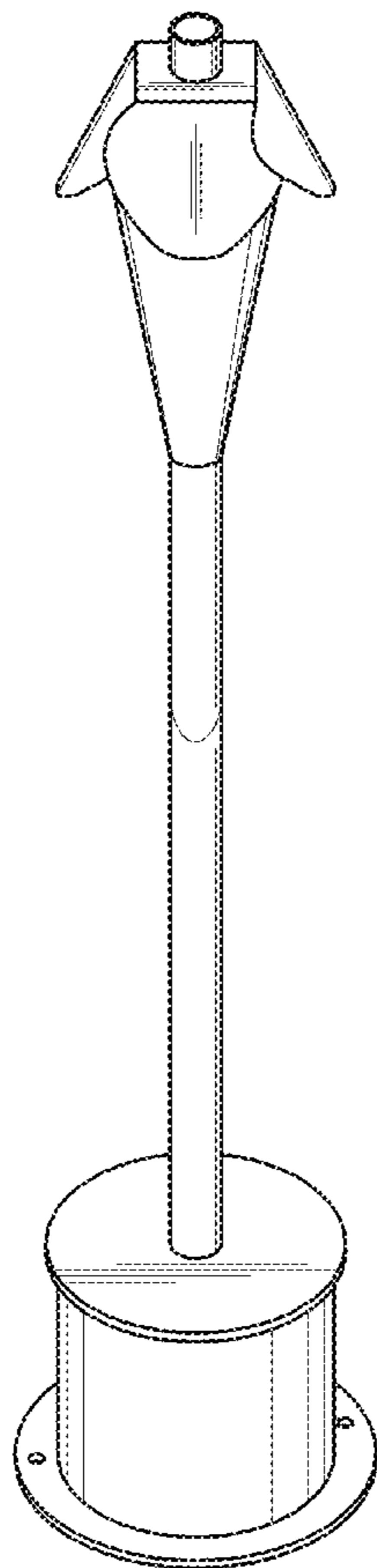
(57) **CLAIM**

What is claimed is the ornamental design for a chili-pepper-shaped ashtray, as shown.

**DESCRIPTION**

FIG. 1 is a perspective view of the chili-pepper-shaped ashtray;  
FIG. 2 is a front view of the chili-pepper-shaped ashtray;  
FIG. 3 is a back view of the chili-pepper-shaped ashtray;  
FIG. 4 is a right side view of the chili-pepper-shaped ashtray;  
FIG. 5 is a left side view of the chili-pepper-shaped ashtray;  
FIG. 6 is a top view of the chili-pepper-shaped ashtray; and,  
FIG. 7 is a bottom view of the chili-pepper-shaped ashtray.

**1 Claim, 5 Drawing Sheets**



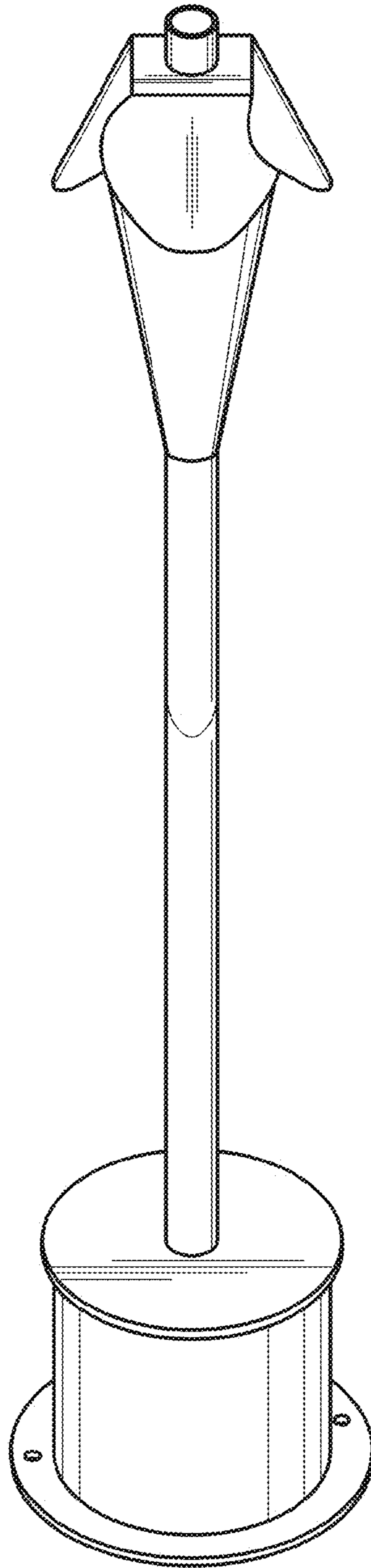


FIG. 1

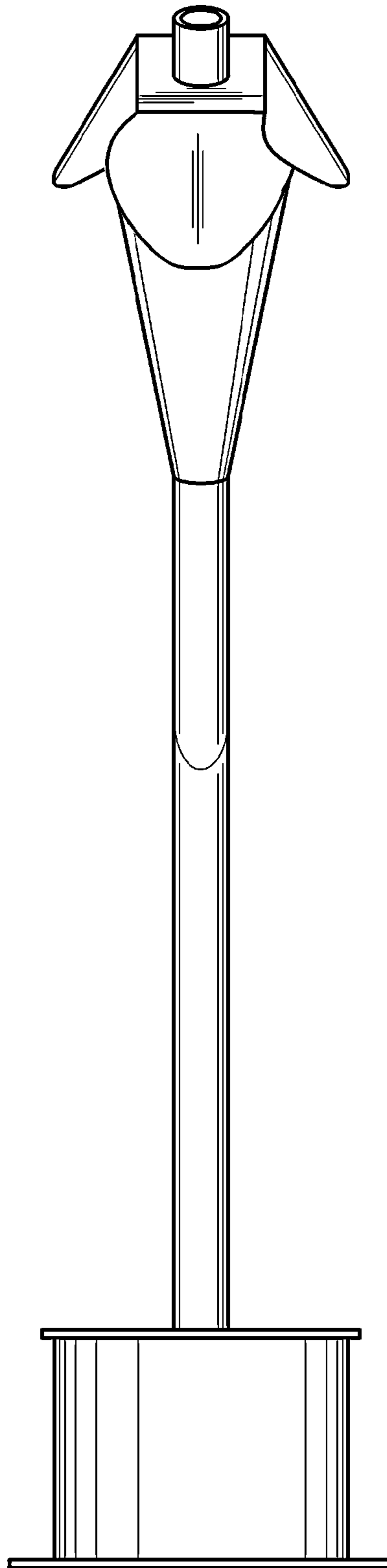


FIG. 2

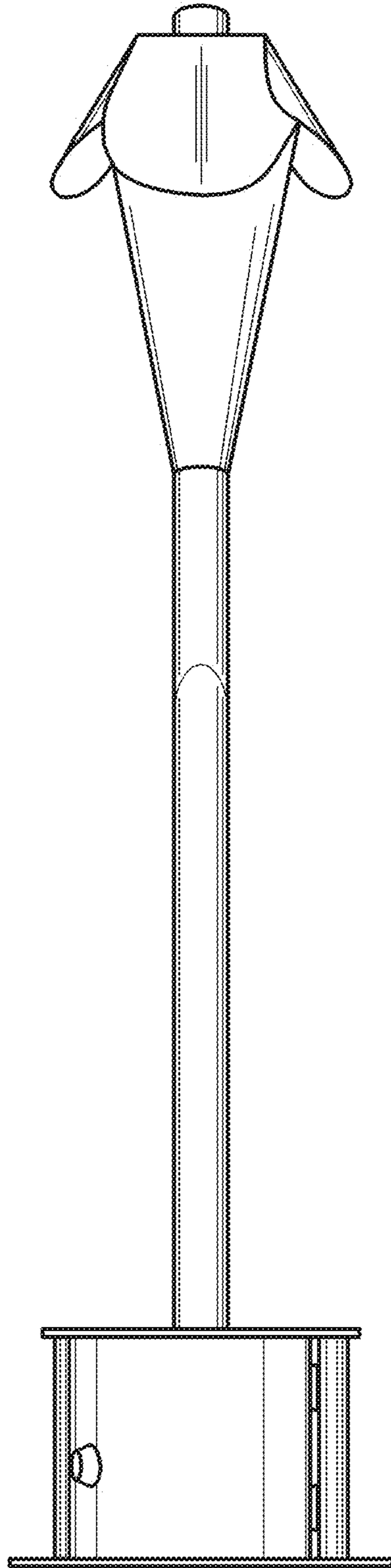


FIG. 3

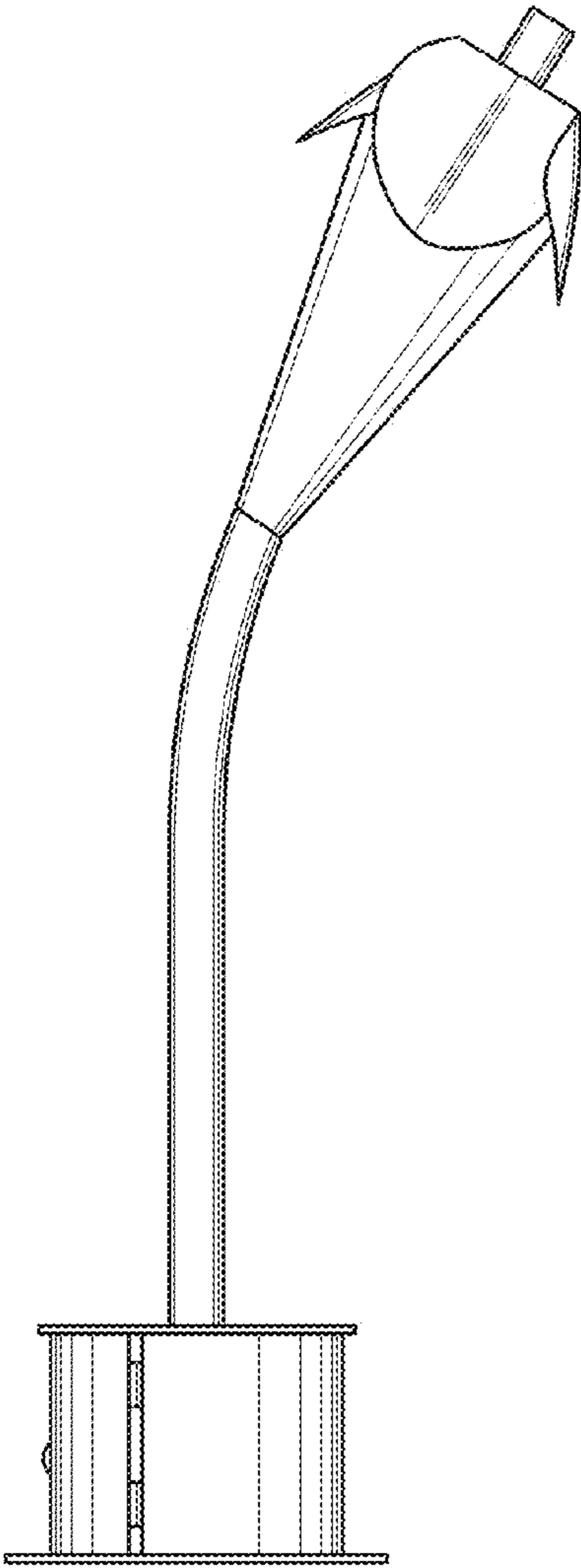


FIG. 4

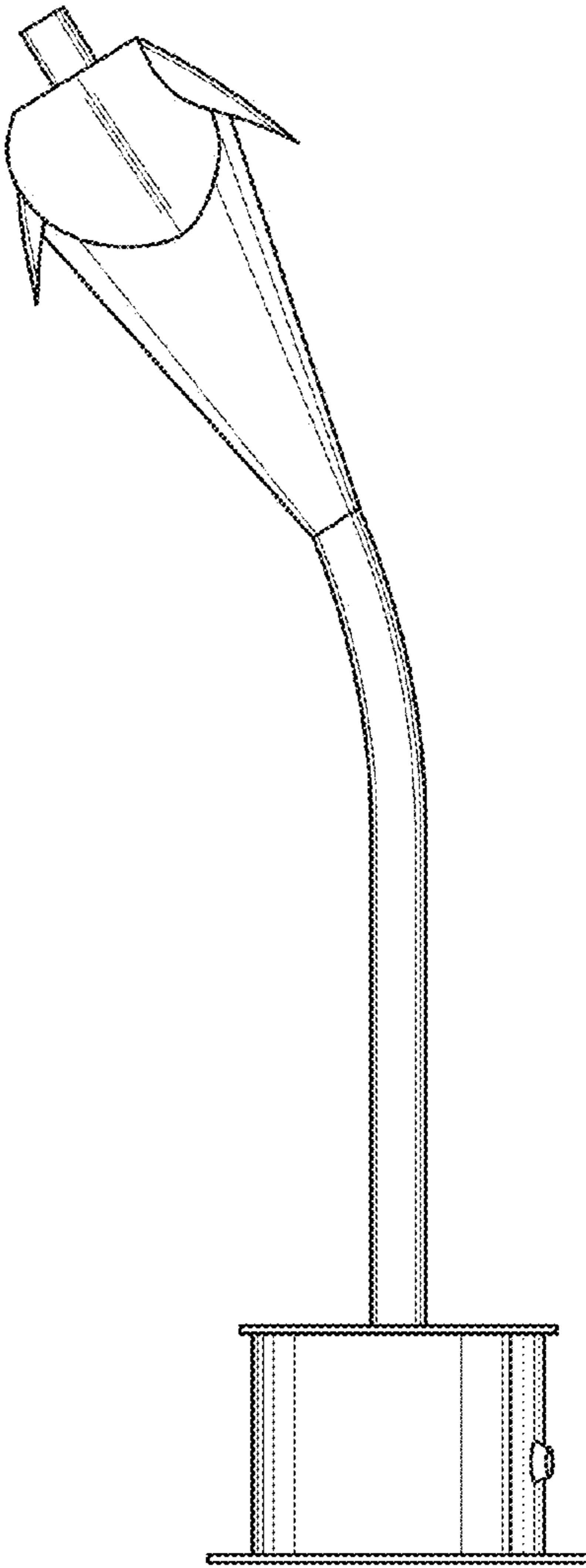


FIG. 5

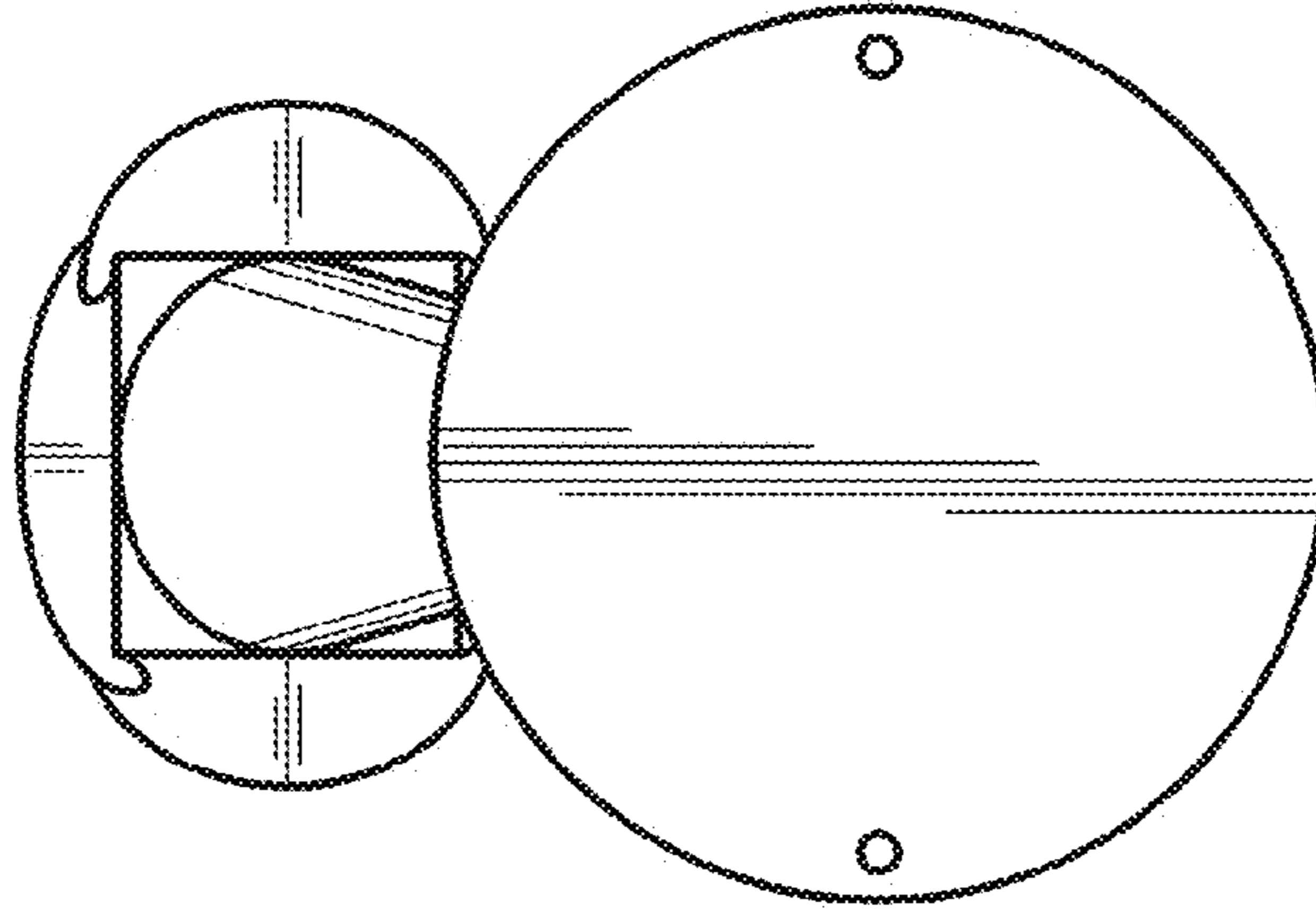


FIG. 7

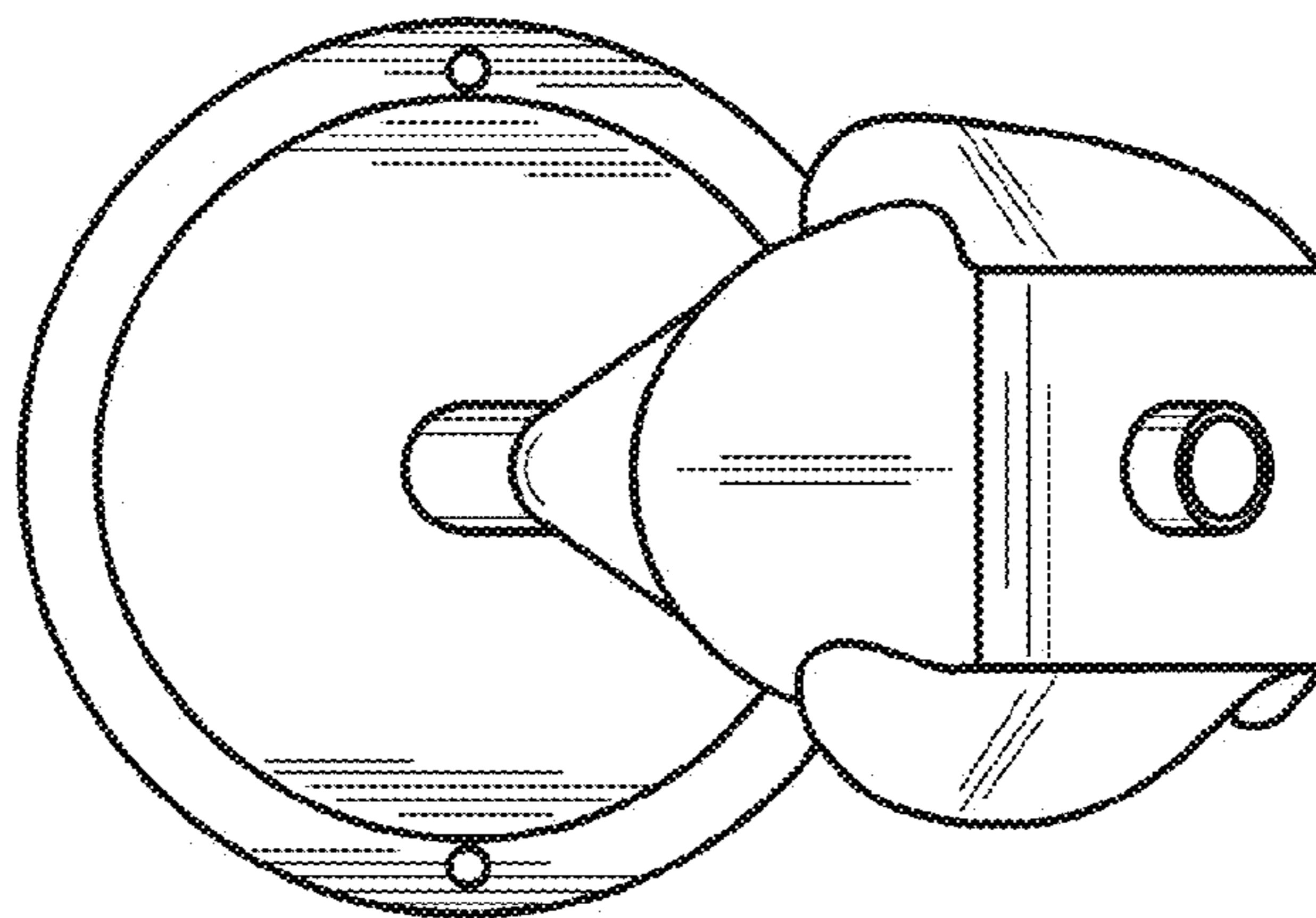


FIG. 6