



US00D683066S

(12) **United States Design Patent**
Myung

(10) **Patent No.:** **US D683,066 S**

(45) **Date of Patent:** **** May 21, 2013**

(54) **LED LIGHTING FIXTURE**

(76) Inventor: **Beom-Young Myung**, Seoul (KR)

(**) Term: **14 Years**

(21) Appl. No.: **29/412,596**

(22) Filed: **Feb. 6, 2012**

(30) **Foreign Application Priority Data**

Aug. 8, 2011 (KR) 30-2011-0033163

(51) **LOC (9) Cl.** **26-99**

(52) **U.S. Cl.**
USPC **D26/120**

(58) **Field of Classification Search** D26/1,
D26/2, 118, 113, 138, 119, 120, 121, 122,
D26/76, 77, 75, 78, 85, 86, 89, 90, 62, 64,
D26/65, 66, 63, 73, 72, 74, 68, 71, 28, 123,
D26/124, 127, 128, 129, 134, 135, 132, 139,
D26/154, 155, 152, 149, 148, 145, 143, 142,
D26/140, 141, 153, 144, 91, 92, 29, 24, 25,
D26/26, 8, 114, 37, 87; 362/202, 347, 349,
362/362, 419, 96, 192, 145, 294, 326, 267,
362/373, 249.01–249.12; D13/102, 179,
D13/180

See application file for complete search history.

(56) **References Cited**

U.S. PATENT DOCUMENTS

D313,669	S	*	1/1991	Sonneman	D26/109
5,726,706	A	*	3/1998	Walsh	348/151
D457,540	S	*	5/2002	Kieronski	D16/130
D477,105	S	*	7/2003	Herst et al.	D26/76
D565,786	S	*	4/2008	Willmorth et al.	D26/138
D575,892	S	*	8/2008	Chandler	D26/84
D584,848	S	*	1/2009	Menke	D26/88
D588,739	S	*	3/2009	Janssen	D26/90
D591,443	S	*	4/2009	Beno et al.	D26/88
D614,342	S	*	4/2010	Sebastian Pastor	D26/93
7,817,224	B2	*	10/2010	Sudo	349/70

D633,646	S	*	3/2011	Marcaccio et al.	D26/118
2007/0013825	A1	*	1/2007	Kim et al.	349/58
2007/0247850	A1	*	10/2007	Hawkins et al.	362/267

* cited by examiner

Primary Examiner — Kevin Rudzinski

(74) *Attorney, Agent, or Firm* — Roberts Mlotkowski Safran & Cole P.C.

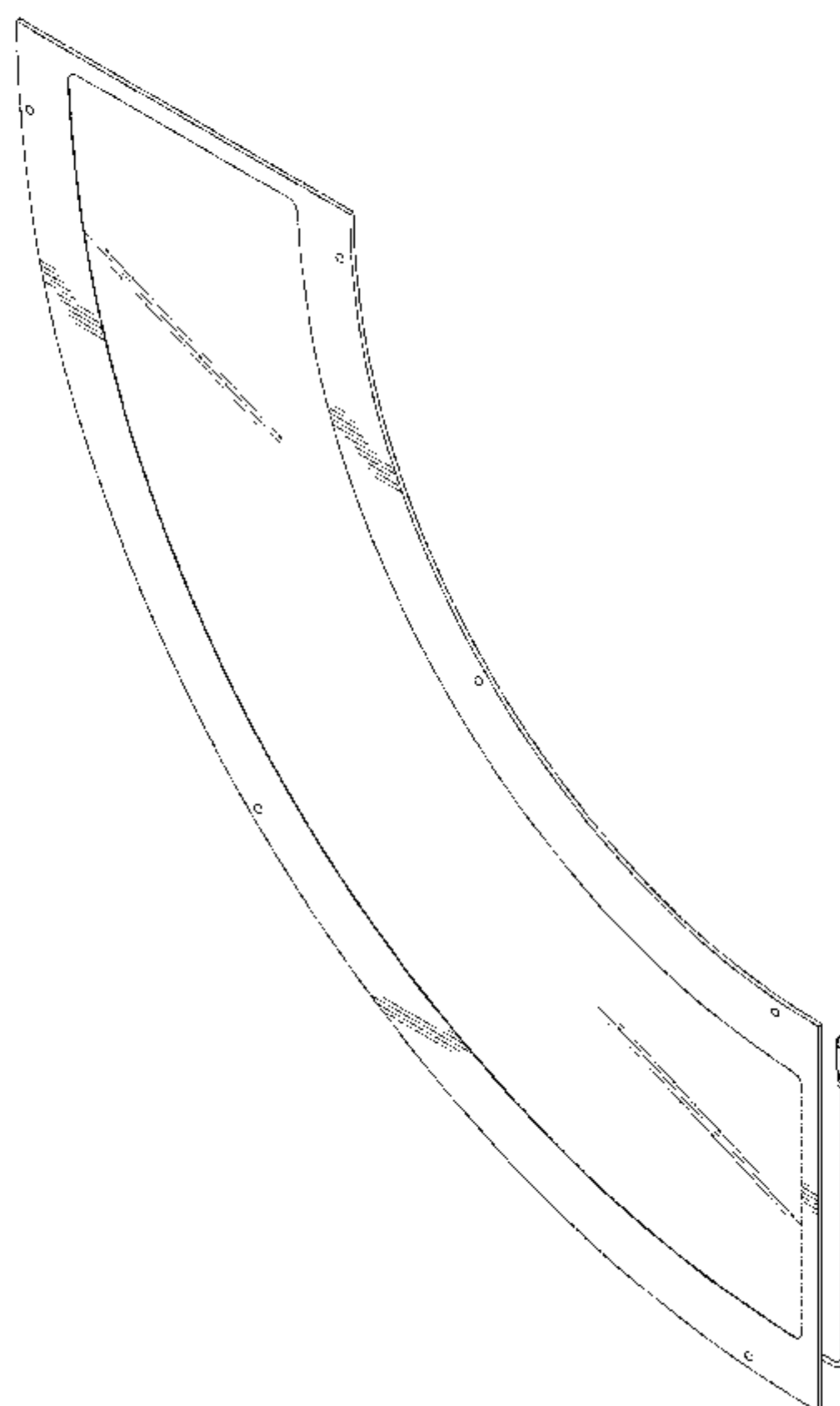
(57) **CLAIM**

The ornamental design for an LED lighting fixture, as shown and described.

DESCRIPTION

FIG. 1 is a perspective view of an LED lighting fixture showing my new design;
 FIG. 2 is a front side view thereof;
 FIG. 3 is a rear side view thereof;
 FIG. 4 is a left side view thereof;
 FIG. 5 is a right side view thereof;
 FIG. 6 is a top plan view thereof;
 FIG. 7 is a bottom plan view thereof;
 FIG. 8 is a perspective view thereof, showing the LED lighting fixture in a disassembled state;
 FIG. 9 is a perspective view of an installation example in which two of the LED lighting fixture is arranged with two other LED lighting fixtures (indicated in phantom and hence forming no part of the claimed design) to form a wave shape;
 FIG. 10 is a perspective view of another installation example in which the LED lighting fixture is arranged with three other LED lighting fixtures (indicated in phantom and hence forming no part of the claimed design) to form a donut shape; and,
 FIG. 11 is a perspective view of still another installation example in which the lighting fixture is arranged with three other LED lighting fixtures (indicated in phantom and hence forming no part of the claimed design) to form a pinwheel shape.

1 Claim, 7 Drawing Sheets



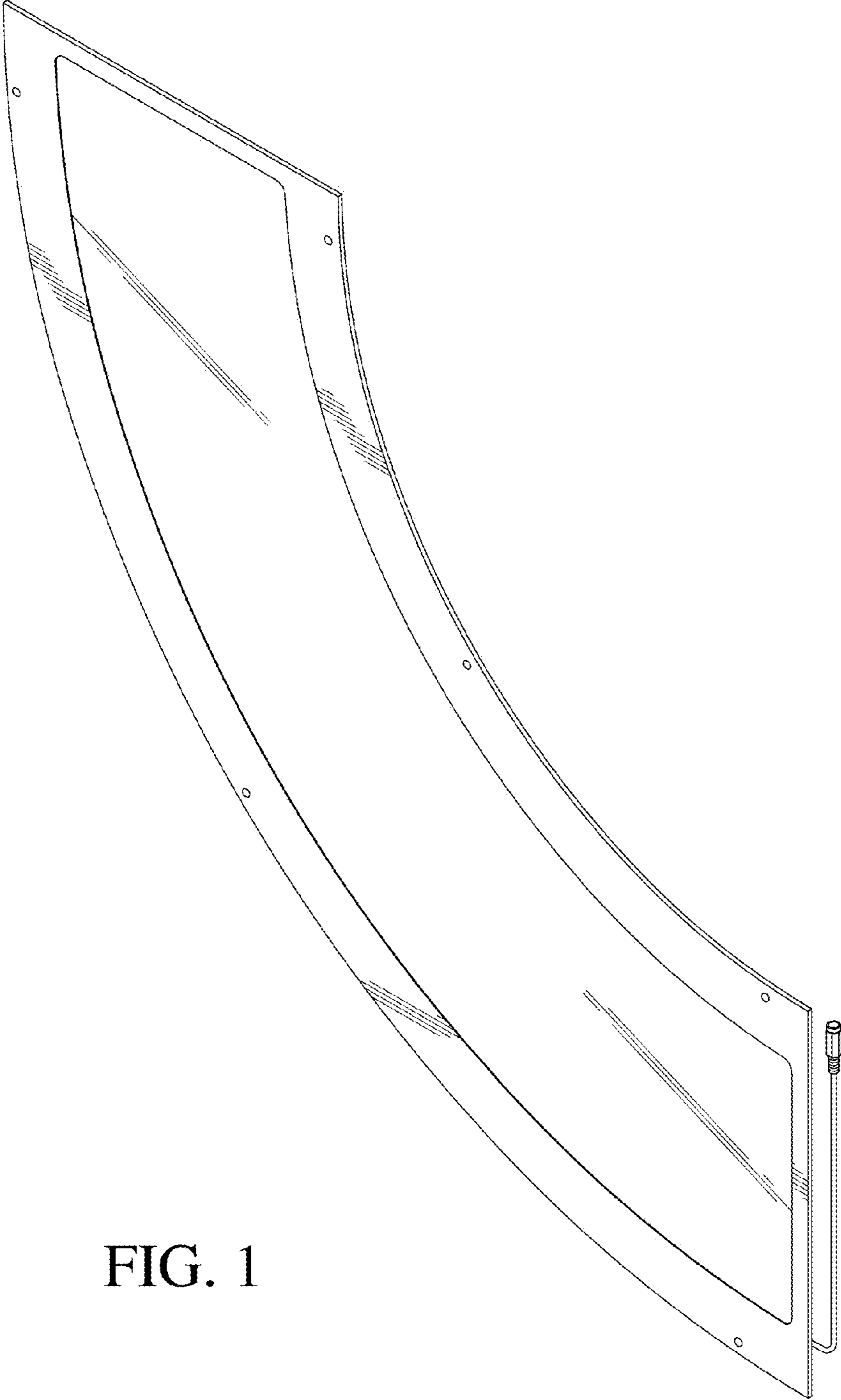


FIG. 1

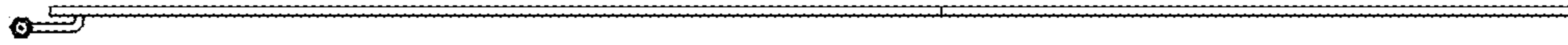


FIG. 2

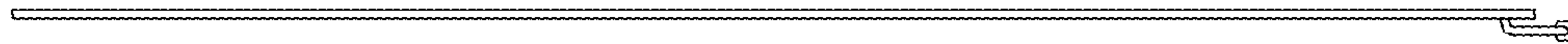


FIG. 3

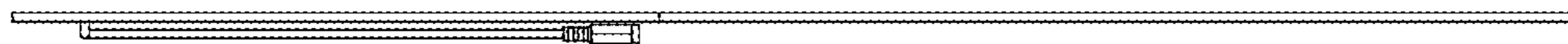


FIG. 4

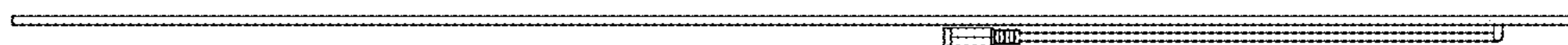


FIG. 5

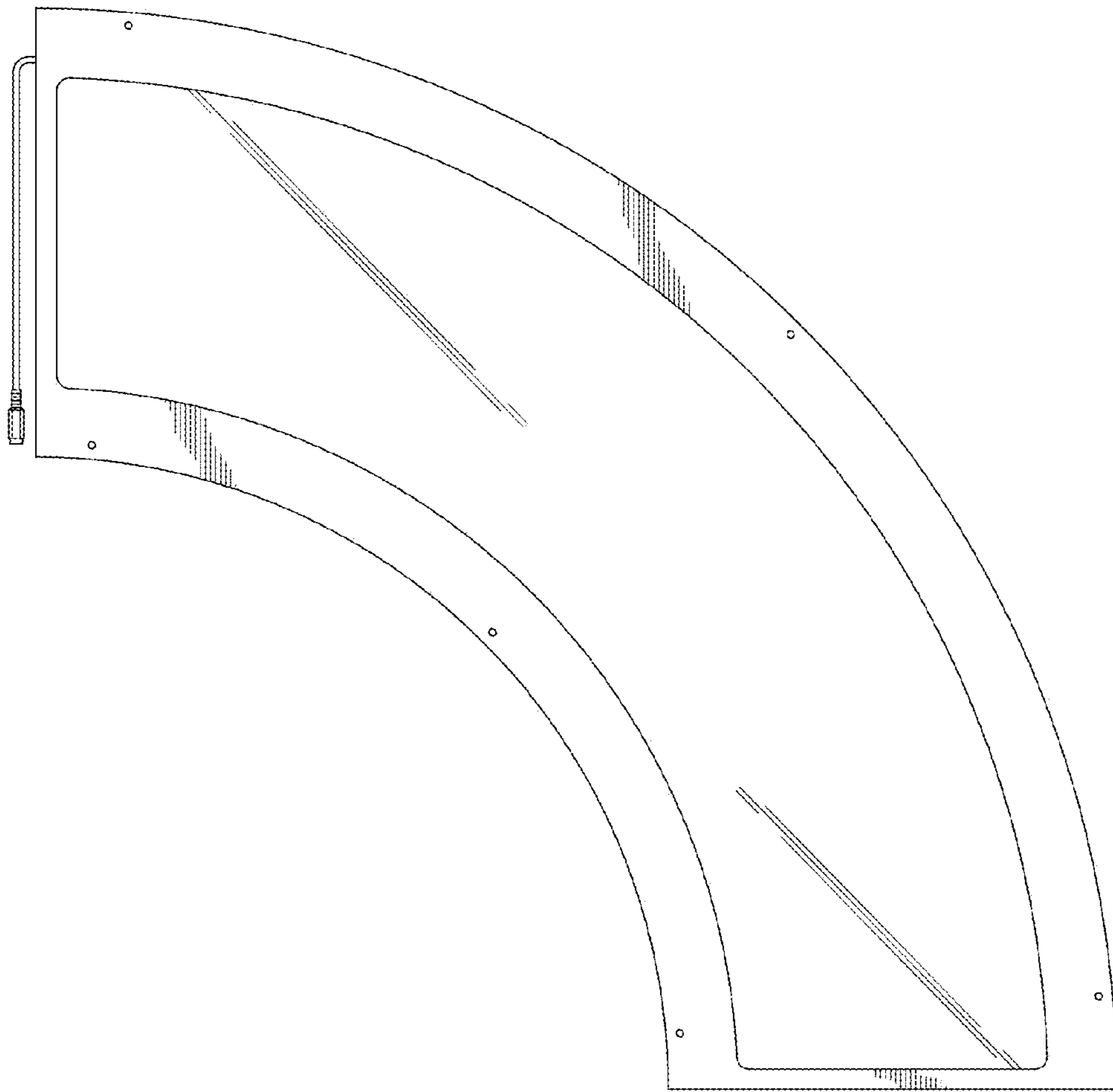


FIG. 6

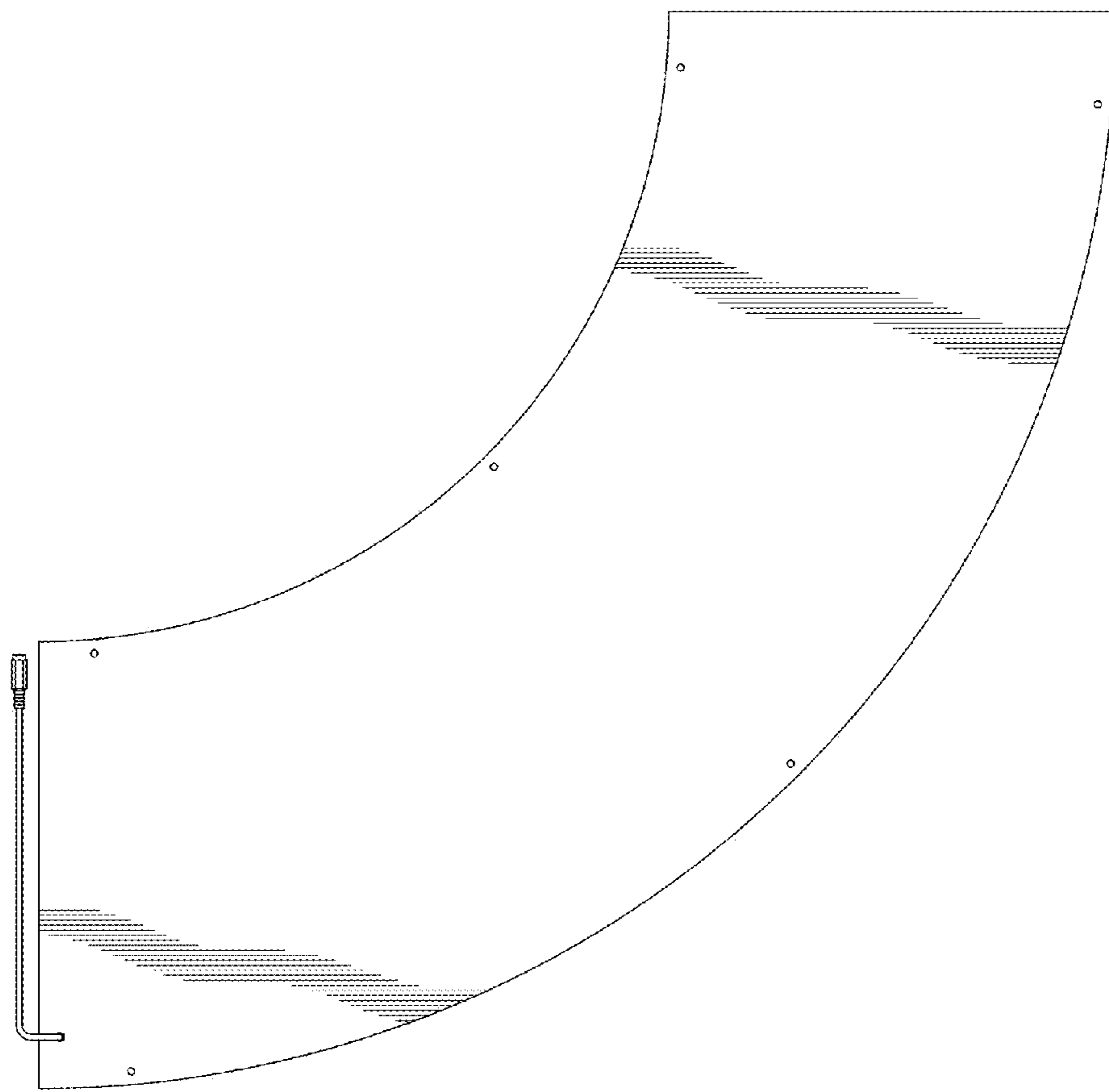


FIG. 7

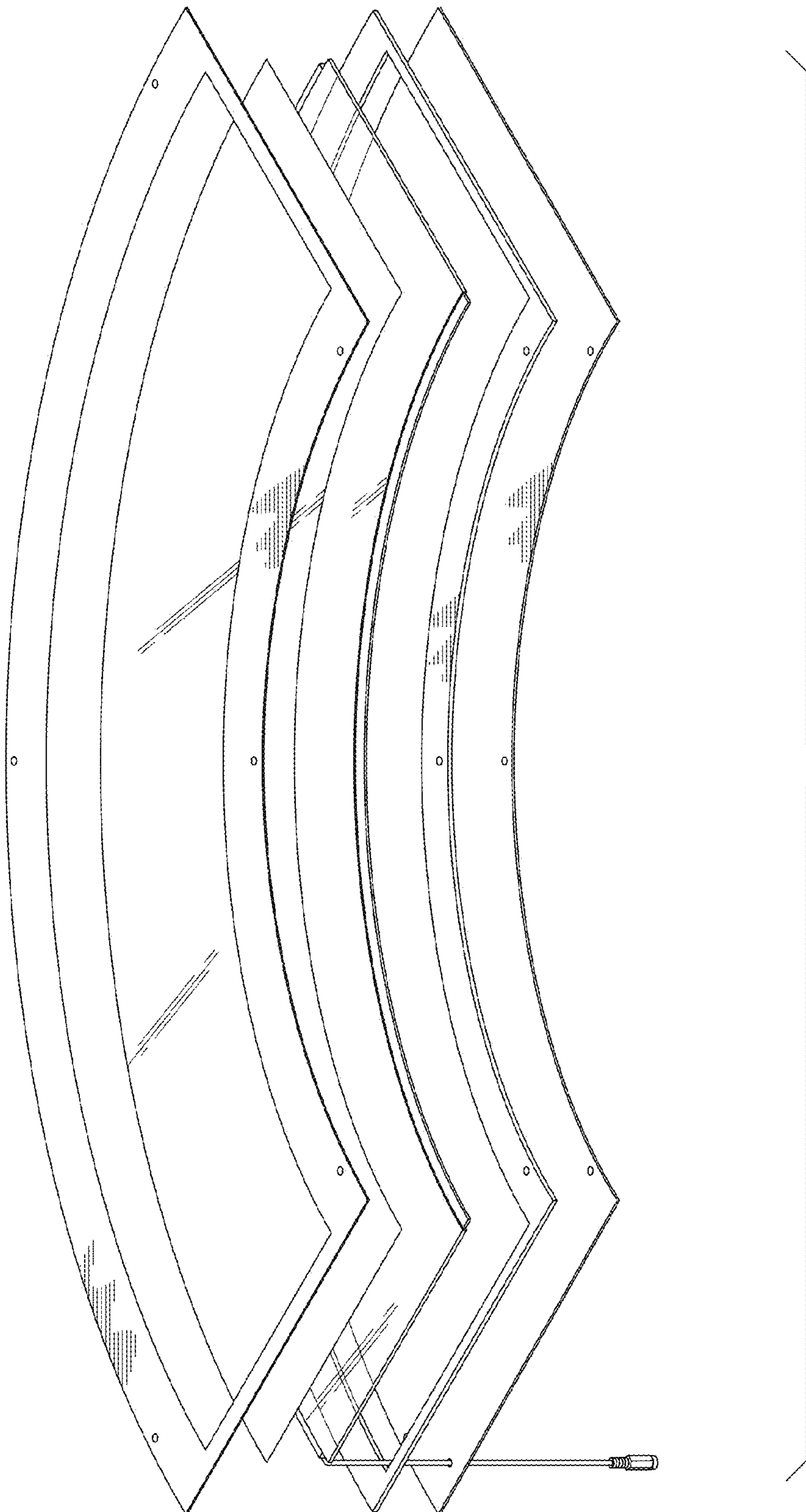


FIG. 8

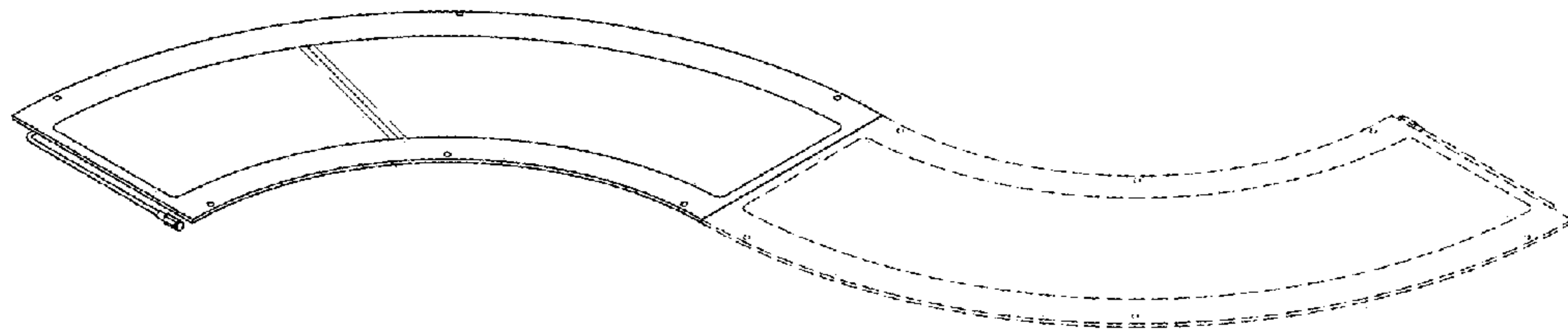


FIG. 9

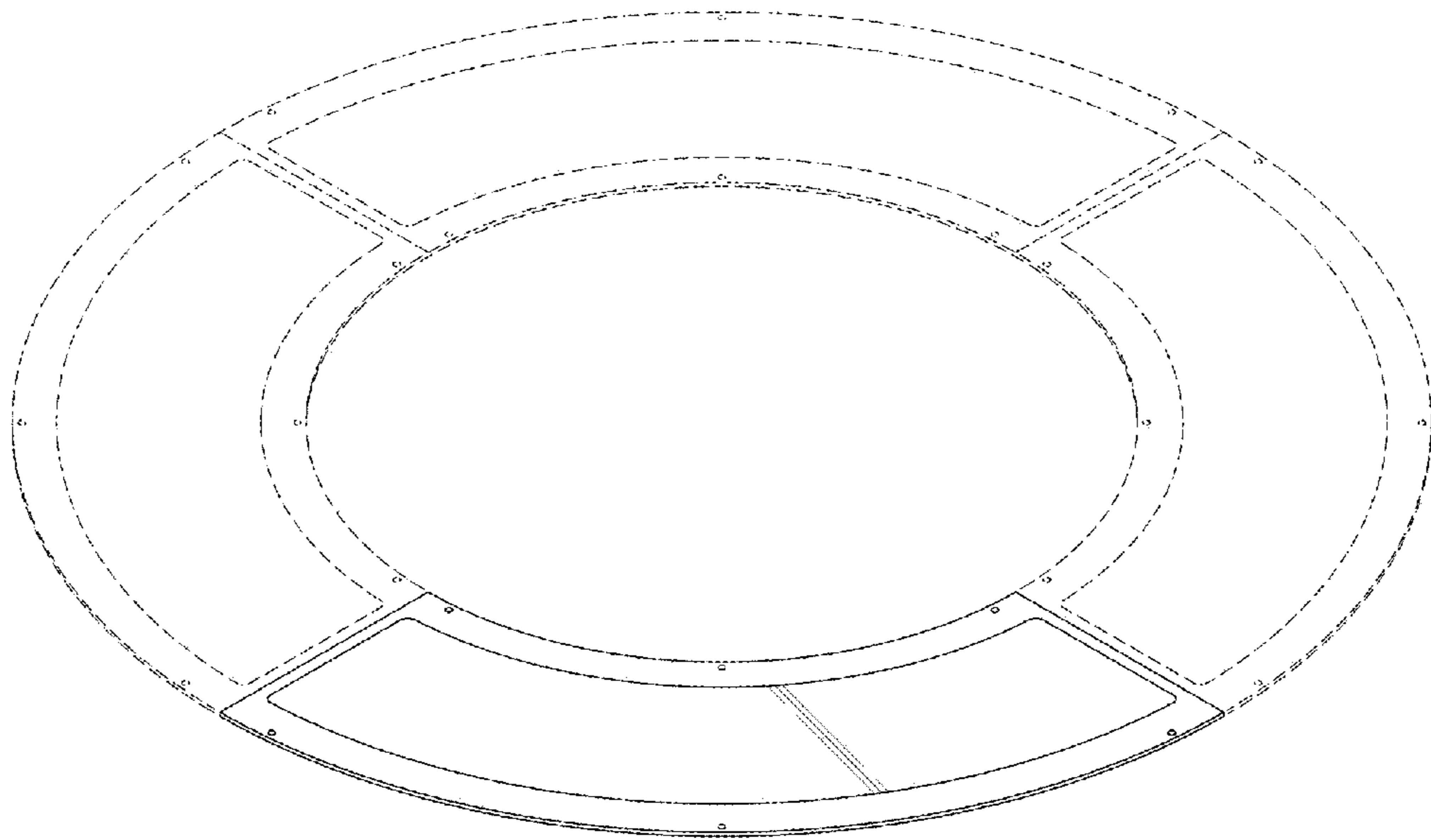


FIG. 10

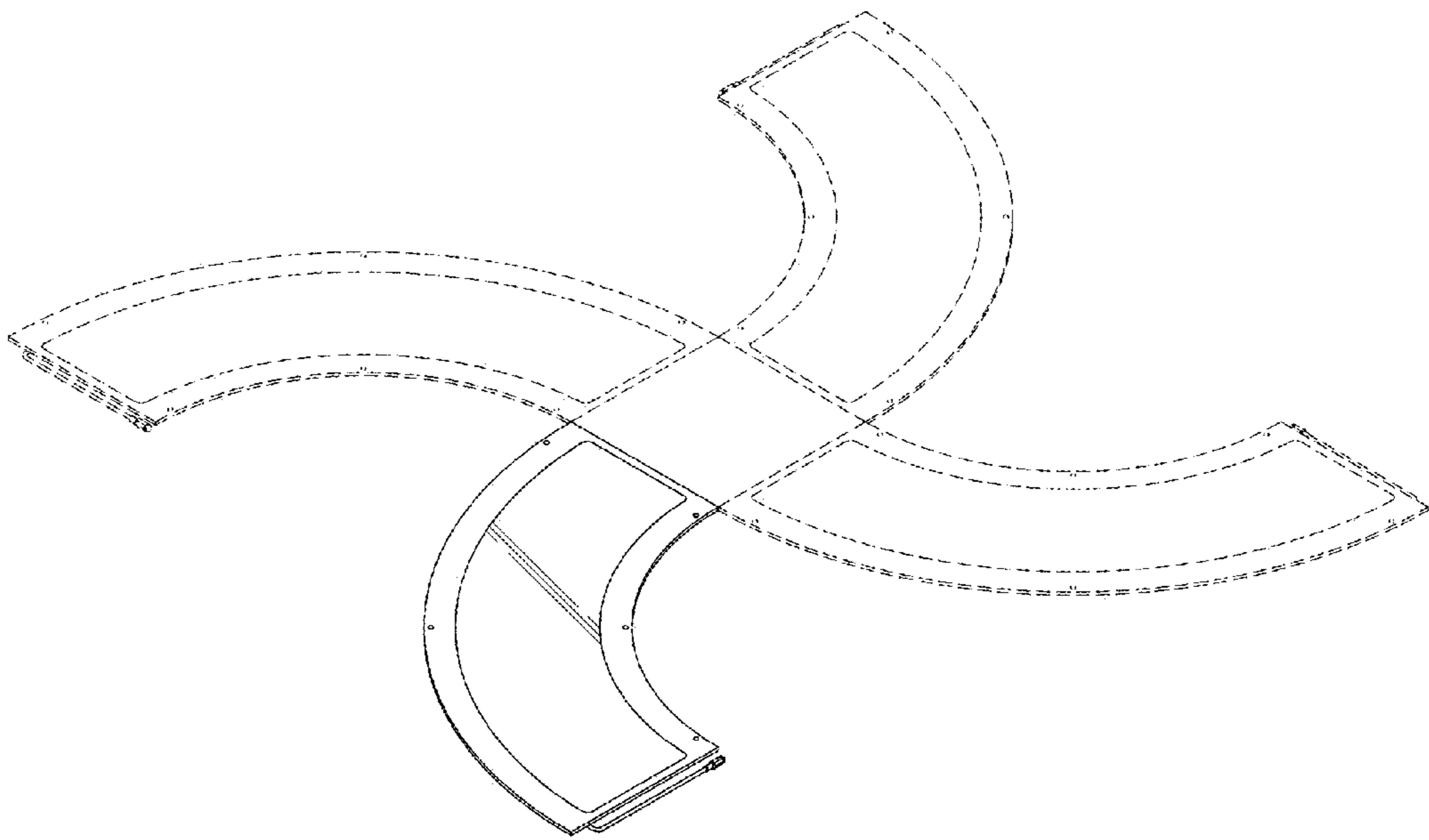


FIG. 11