



US00D683065S

(12) **United States Design Patent**
Tuck

(10) **Patent No.:** **US D683,065 S**

(45) **Date of Patent:** **** May 21, 2013**

(54) **LIGHT FIXTURE**

(71) Applicant: **Richard G. Tuck**, Gambier, OH (US)

(72) Inventor: **Richard G. Tuck**, Gambier, OH (US)

(73) Assignee: **CycLoptics, LLC**, Gambier, OH (US)

(**) Term: **14 Years**

(21) Appl. No.: **29/434,012**

(22) Filed: **Oct. 9, 2012**

(51) **LOC (9) Cl.** **26-99**

(52) **U.S. Cl.**
USPC **D26/118**

(58) **Field of Classification Search** D26/118,
D26/119, 120, 67, 68, 69, 62, 63, 85, 86,
D26/121, 122, 65, 124, 125, 139, 138, 140,
D26/155, 154, 72, 76, 75, 64, 66, 71, 78,
D26/79, 84, 137, 136, 126, 127, 128, 129,
D26/135, 132, 134, 142, 144, 145, 147, 152,
D26/1, 2, 3, 87, 88, 24, 25, 26, 28, 89, 90,
D26/91, 92; 362/225, 326, 147, 249.01-249.12,
362/346, 223, 224, 306, 149, 362, 217.05,
362/217.03, 297, 294, 235, 329, 476, 555,
362/218; D13/179, 180

See application file for complete search history.

(56) **References Cited**

U.S. PATENT DOCUMENTS

D85,049	S	*	9/1931	Kopp	D26/128
2,242,590	A		5/1941	Moreau		
3,675,008	A		7/1972	Hill		
3,944,810	A	*	3/1976	Grindle	362/297
D254,215	S	*	2/1980	Yahraus et al.	D26/89
4,575,788	A	*	3/1986	Lewin	362/346
4,654,768	A	*	3/1987	Dryman et al.	362/374
4,979,086	A	*	12/1990	Heinisch	362/297
5,287,259	A	*	2/1994	Lautzenheiser	362/341
D368,974	S	*	4/1996	Belisle	D26/88
D418,938	S	*	1/2000	McCartney et al.	D26/88

D425,652	S	*	5/2000	Brok	D26/118
6,152,579	A		11/2000	Reed et al.		
D442,733	S		5/2001	Minissi et al.		

(Continued)

OTHER PUBLICATIONS

Unpublished Design U.S. Appl. No. 29/390,985, filed May 2, 2011, first named inventor Richard G. Tuck.

Primary Examiner — Kevin Rudzinski

(74) *Attorney, Agent, or Firm* — Porter, Wright, Morris & Arthur, LLP

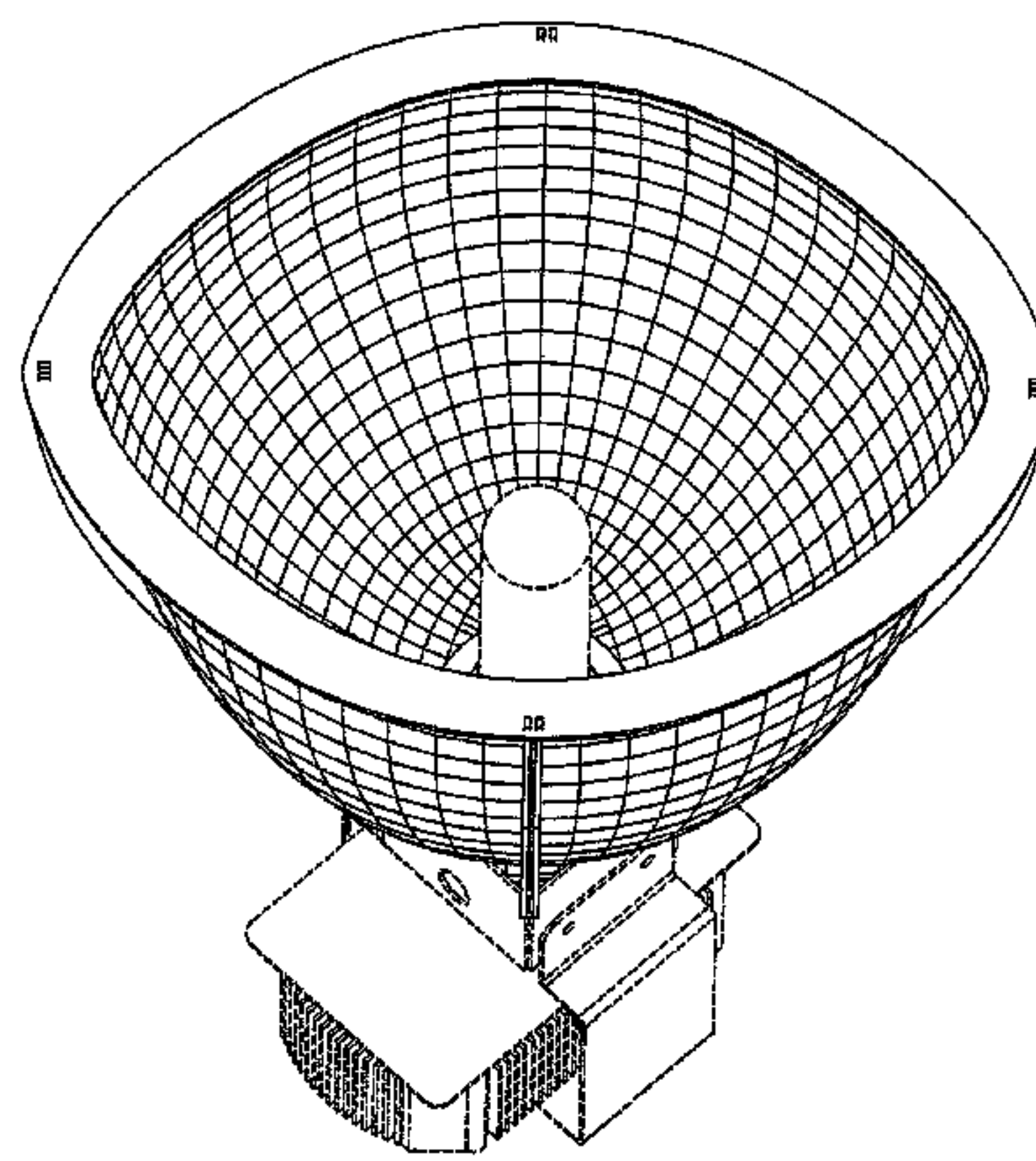
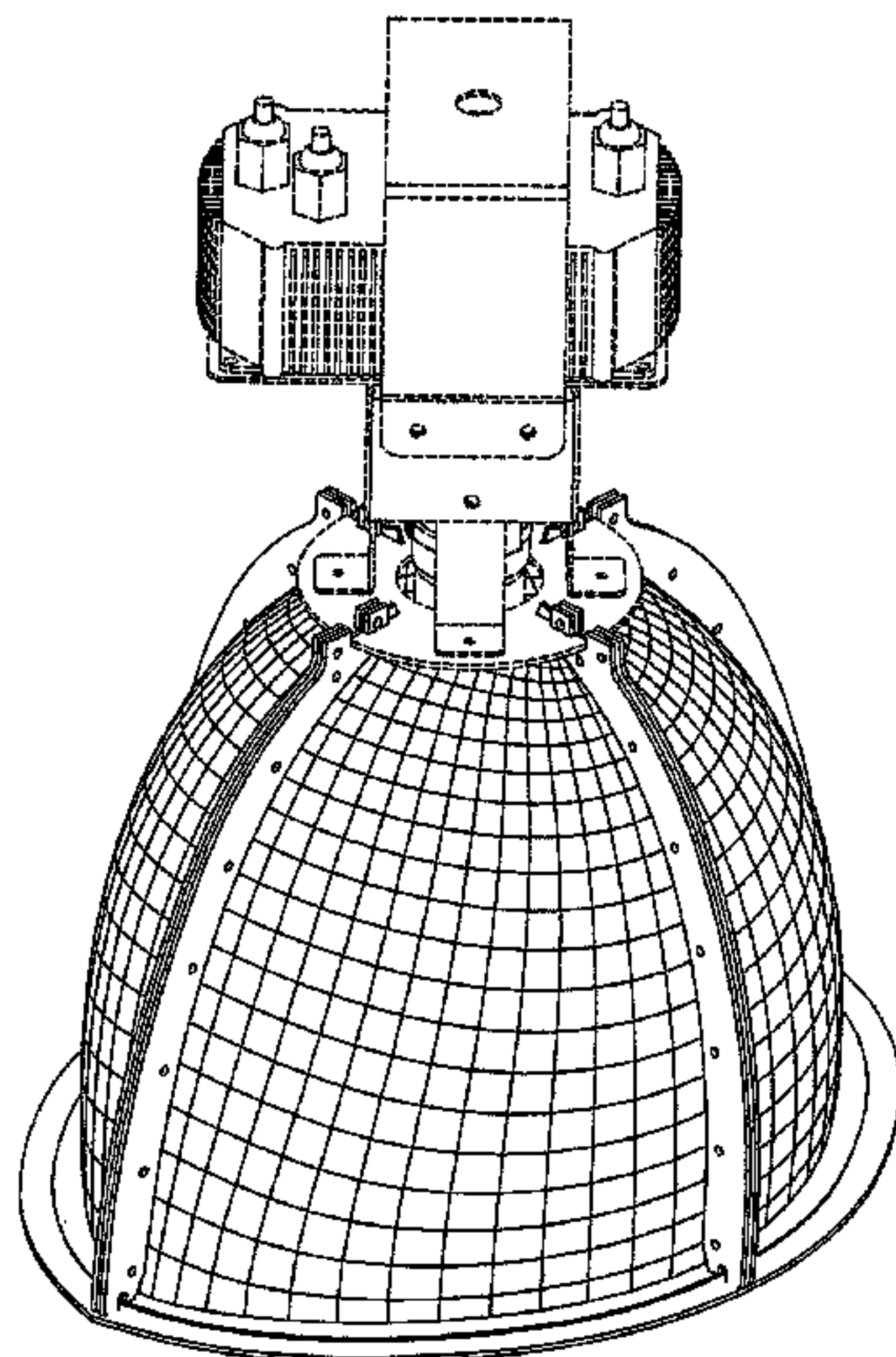
(57) **CLAIM**

The ornamental design for a light fixture, as shown and described.

DESCRIPTION

FIG. 1 is a perspective view of a light fixture according to a first embodiment of my new design;
 FIG. 2 is another perspective view thereof;
 FIG. 3 is a top view thereof;
 FIG. 4 is a bottom view thereof;
 FIG. 5 is front view thereof;
 FIG. 6 is rear view thereof;
 FIG. 7 is a right side view thereof;
 FIG. 8 is a left side view thereof;
 FIG. 9 is a perspective view of a light fixture according to a second embodiment of my new design;
 FIG. 10 is another perspective view thereof;
 FIG. 11 is a top view thereof;
 FIG. 12 is a bottom view thereof;
 FIG. 13 is front view thereof;
 FIG. 14 is rear view thereof;
 FIG. 15 is a right side view thereof; and,
 FIG. 16 is a left side view thereof.
 The dashed lines in the figures form no part of the claimed design and are included to show environment.

1 Claim, 16 Drawing Sheets



US D683,065 S

Page 2

U.S. PATENT DOCUMENTS

6,464,378	B1 *	10/2002	Reed et al.	362/320	D545,994	S	7/2007	Hargreaves	
6,478,454	B1 *	11/2002	Jaffari et al.	362/307	7,380,967	B2	6/2008	Reed et al.	
6,494,596	B1 *	12/2002	Burroughs	362/348	7,445,363	B2	11/2008	Vanden Eynden	
D469,564	S	1/2003	Brok		D583,980	S *	12/2008	Guercio	D26/88
6,637,912	B2 *	10/2003	Arumugasaamy et al. ...	362/327	D585,586	S *	1/2009	Ishibashi	D26/118
D482,157	S	11/2003	McClow et al.		D621,993	S	8/2010	Jong	
D488,880	S *	4/2004	Rahn	D26/72	7,784,976	B2 *	8/2010	Chon	362/297
6,726,345	B2 *	4/2004	Arumugasaamy et al. ...	362/327	D634,468	S	3/2011	Hargreaves	
D493,558	S	7/2004	Kovach et al.		D634,469	S	3/2011	Hargreaves	
D516,740	S *	3/2006	Sales	D26/123	D650,515	S	12/2011	Bradley, Jr. et al.	
7,213,948	B2 *	5/2007	Hein	362/346	8,337,051	B2 *	12/2012	Hawkes et al.	362/297
D544,640	S *	6/2007	Sase et al.	D26/123					

* cited by examiner

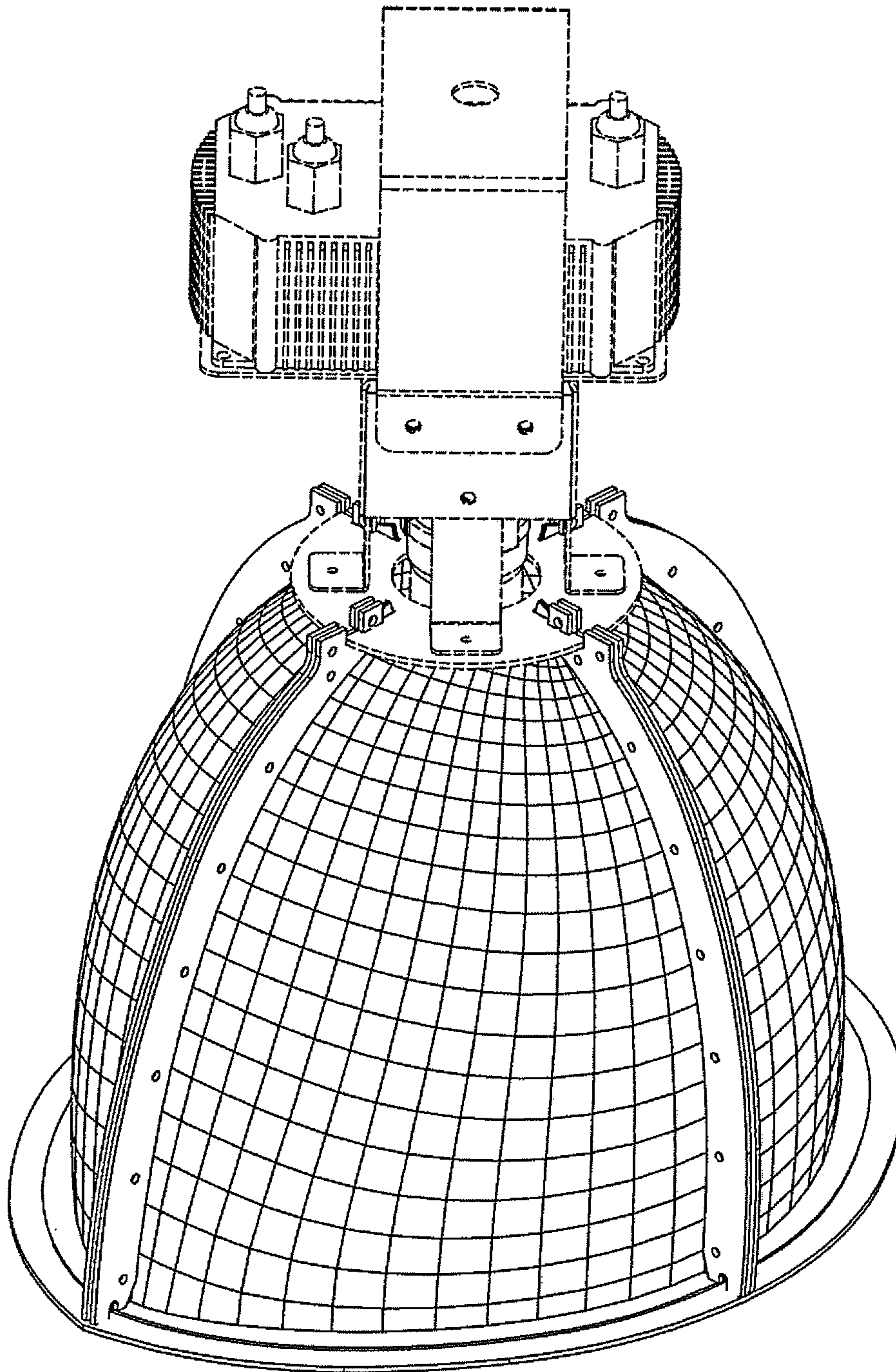


FIG. 1

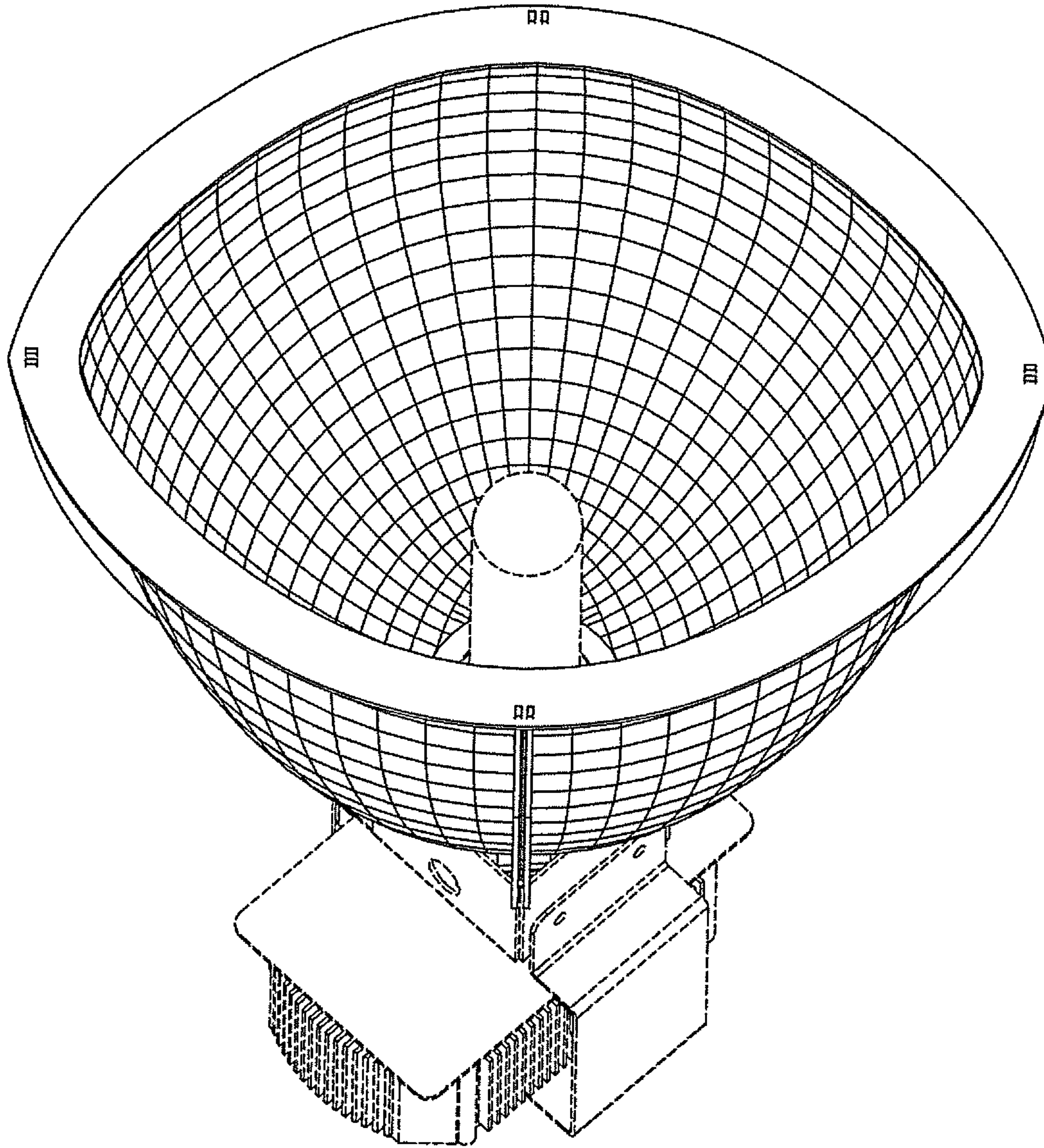


FIG. 2

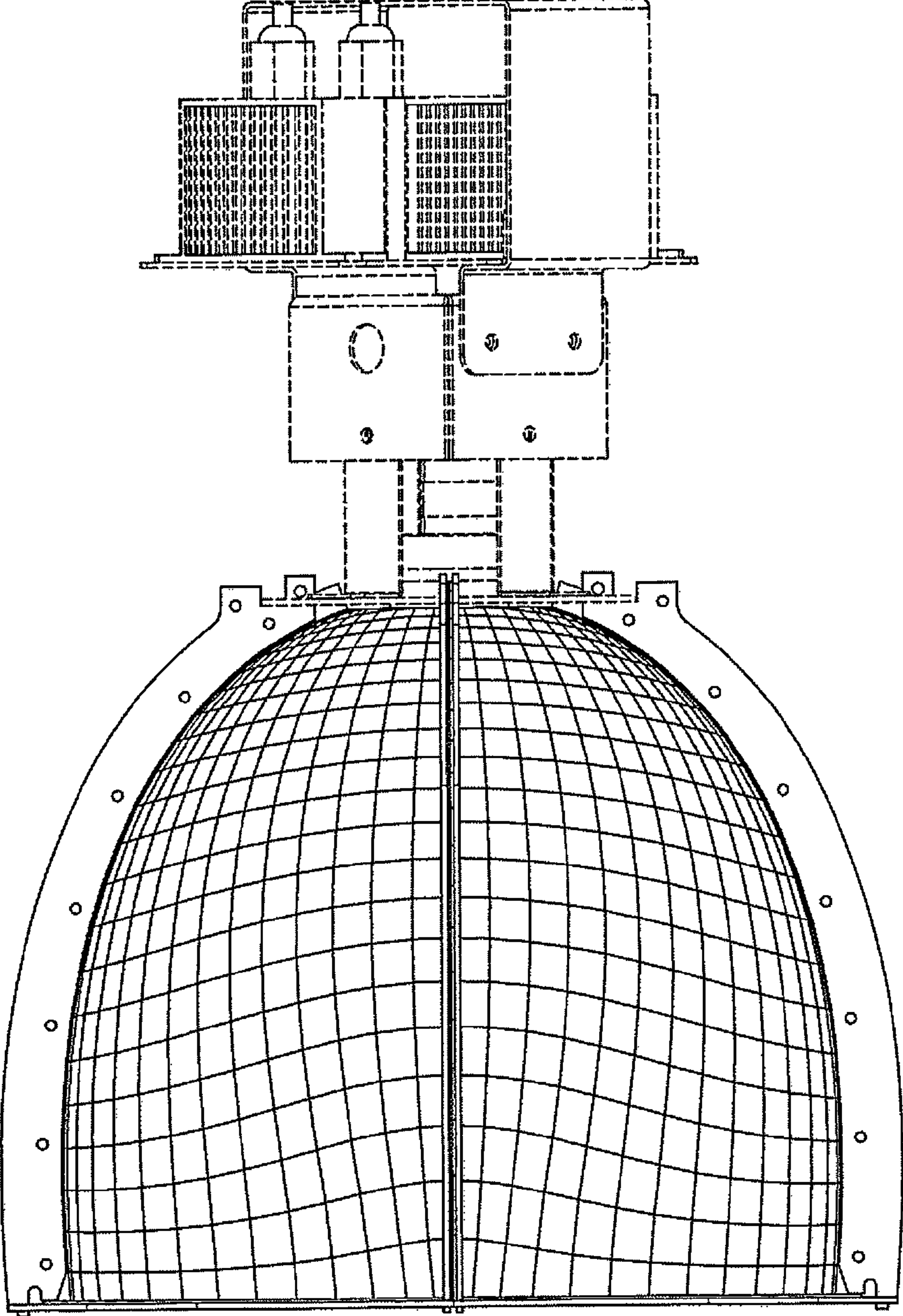


FIG. 3

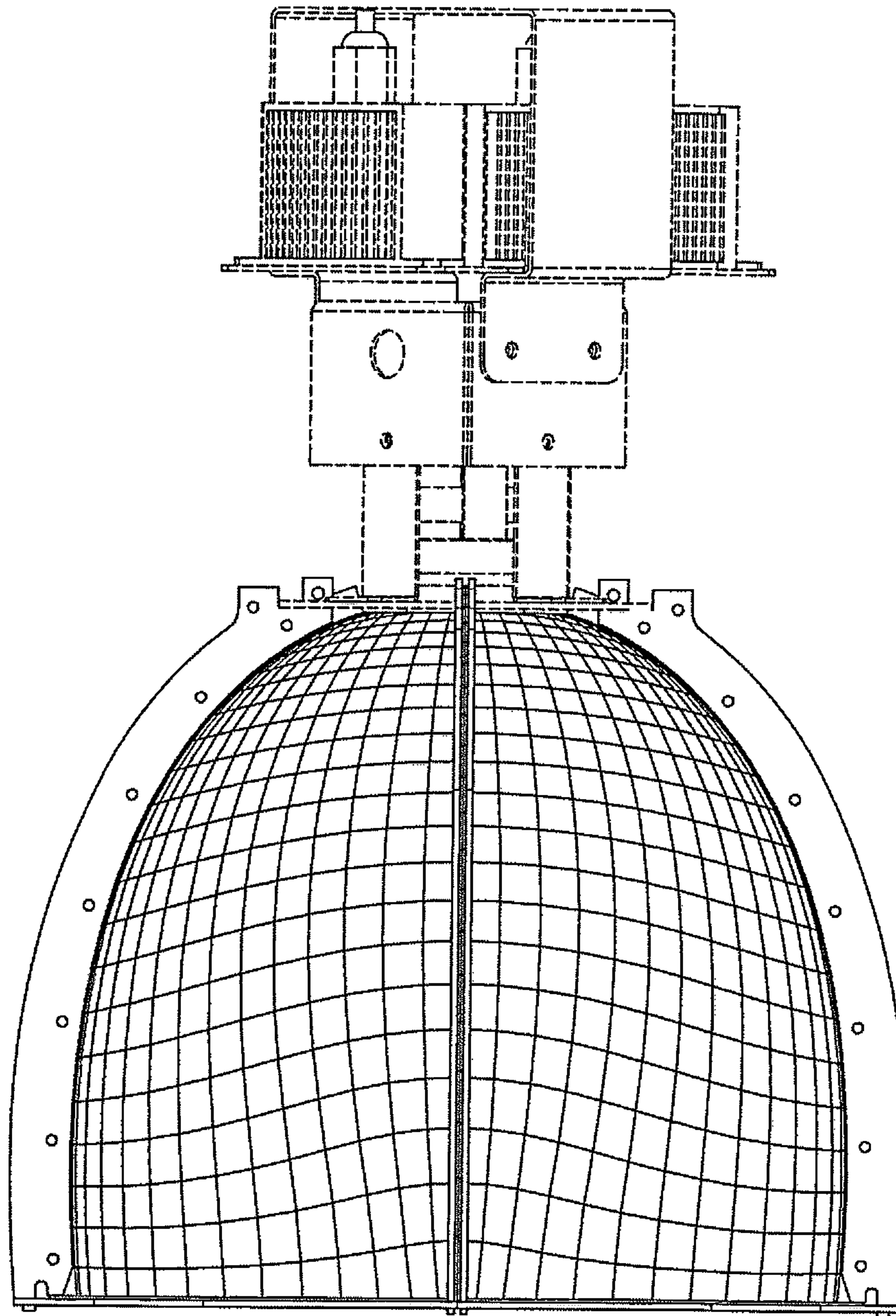


FIG. 4

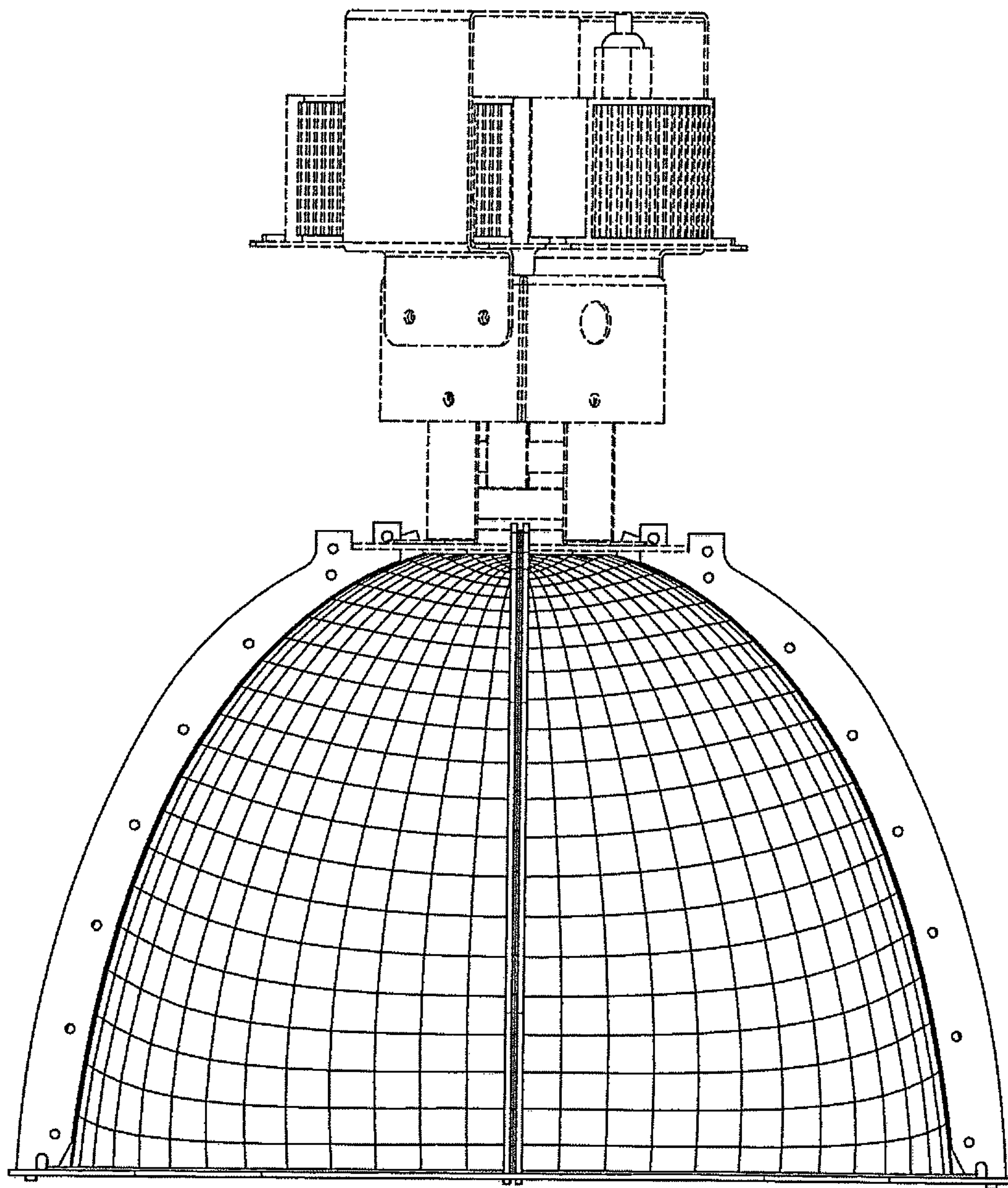


FIG. 5

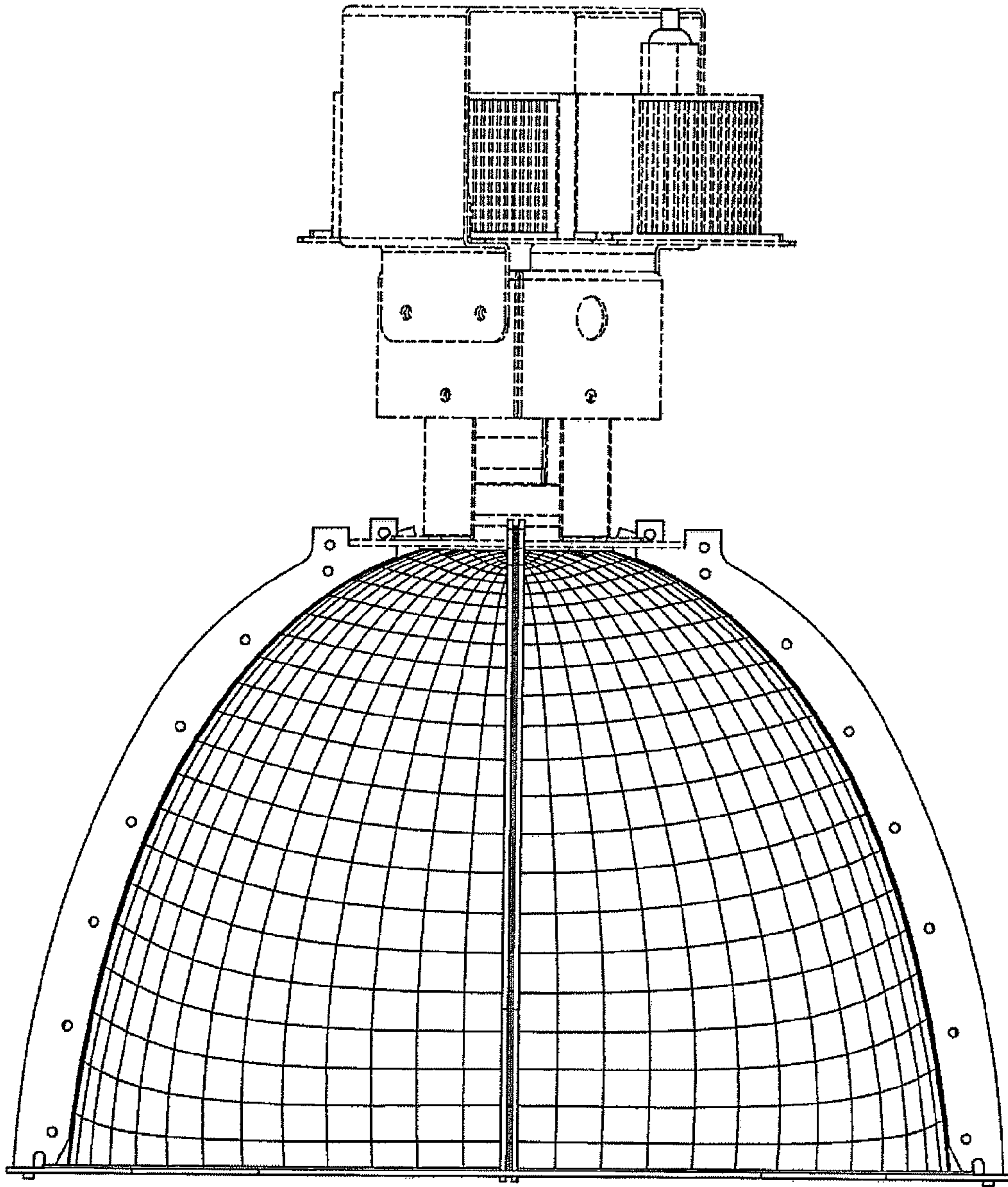


FIG. 6

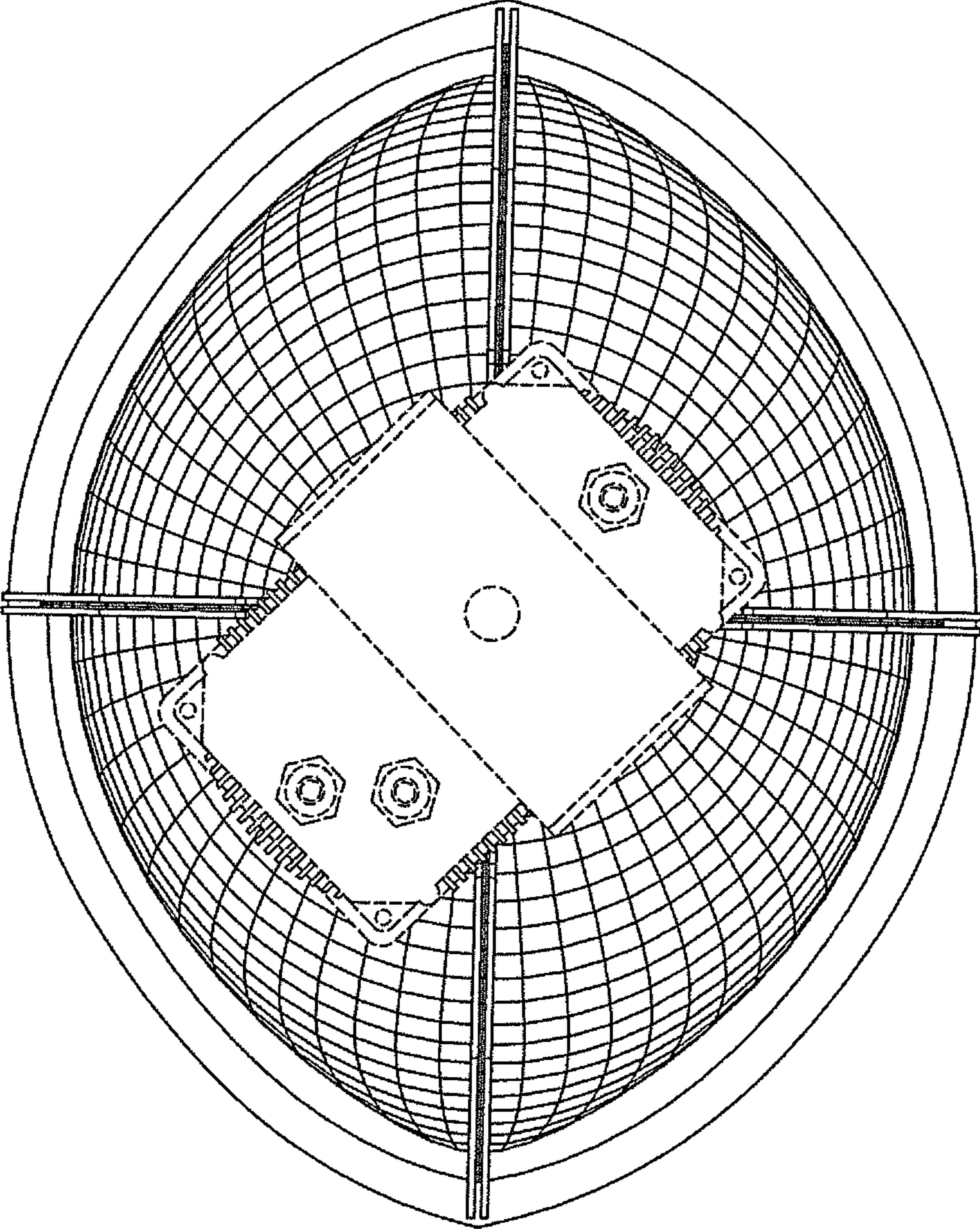


FIG. 7

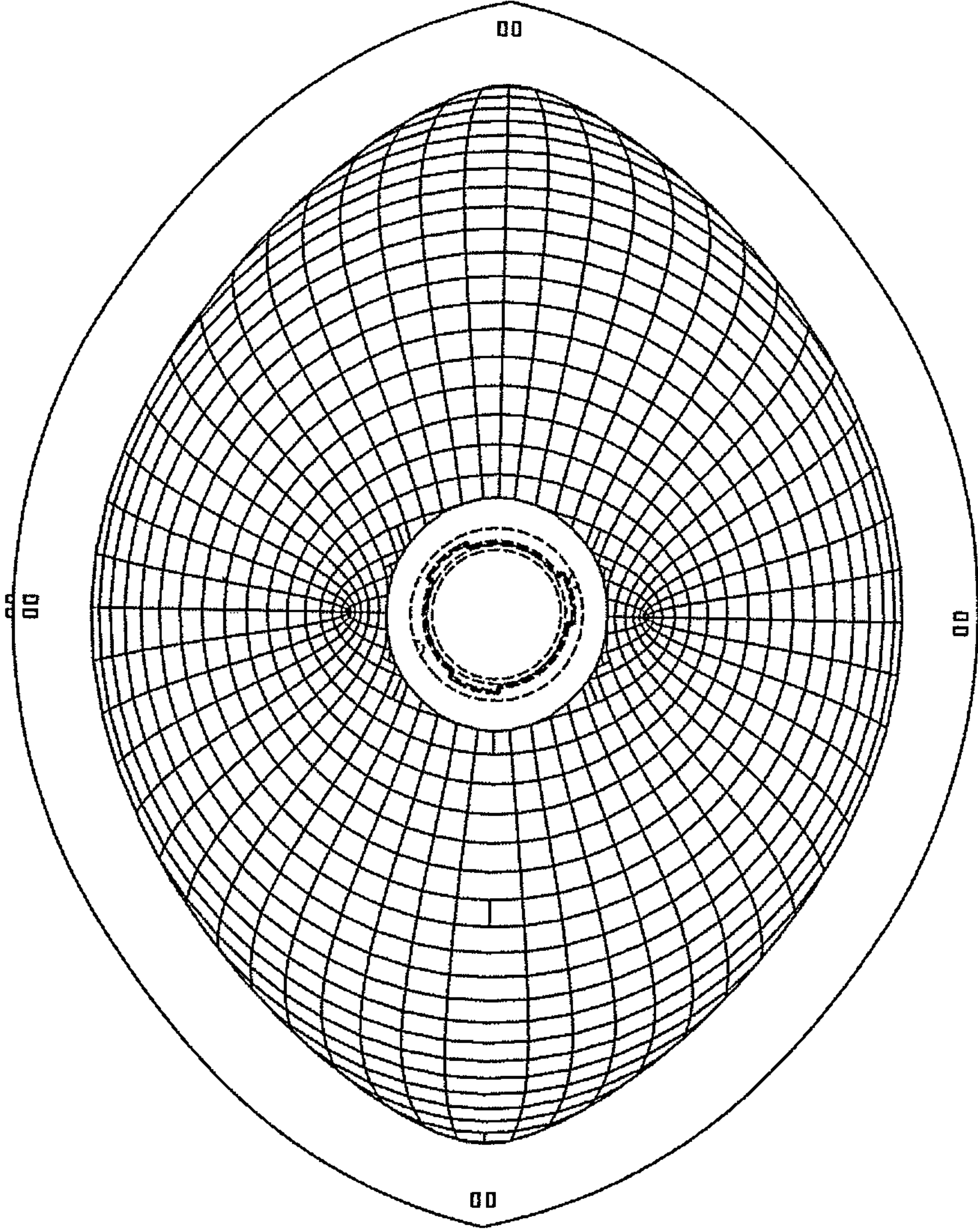


FIG. 8

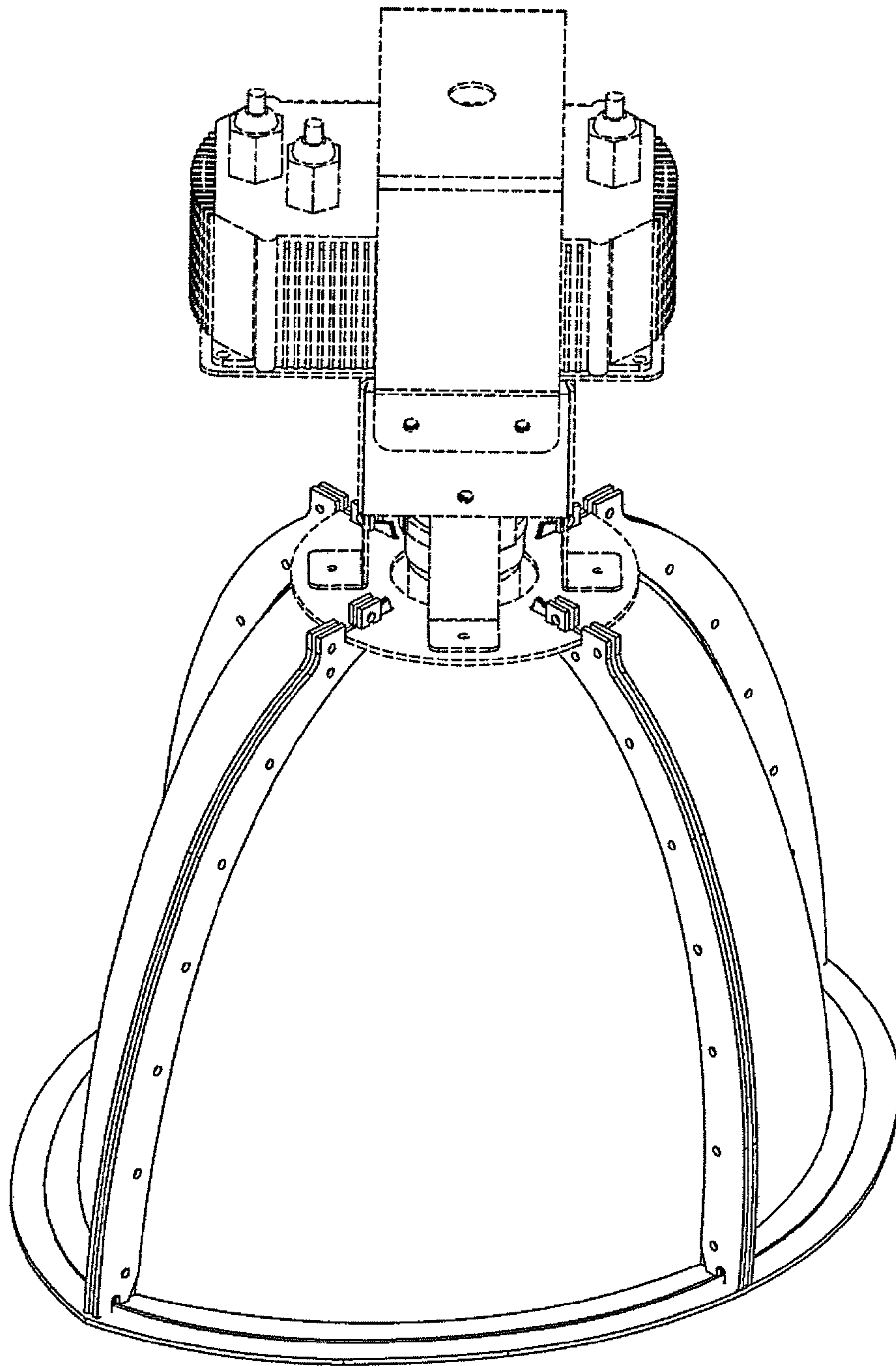


FIG. 9

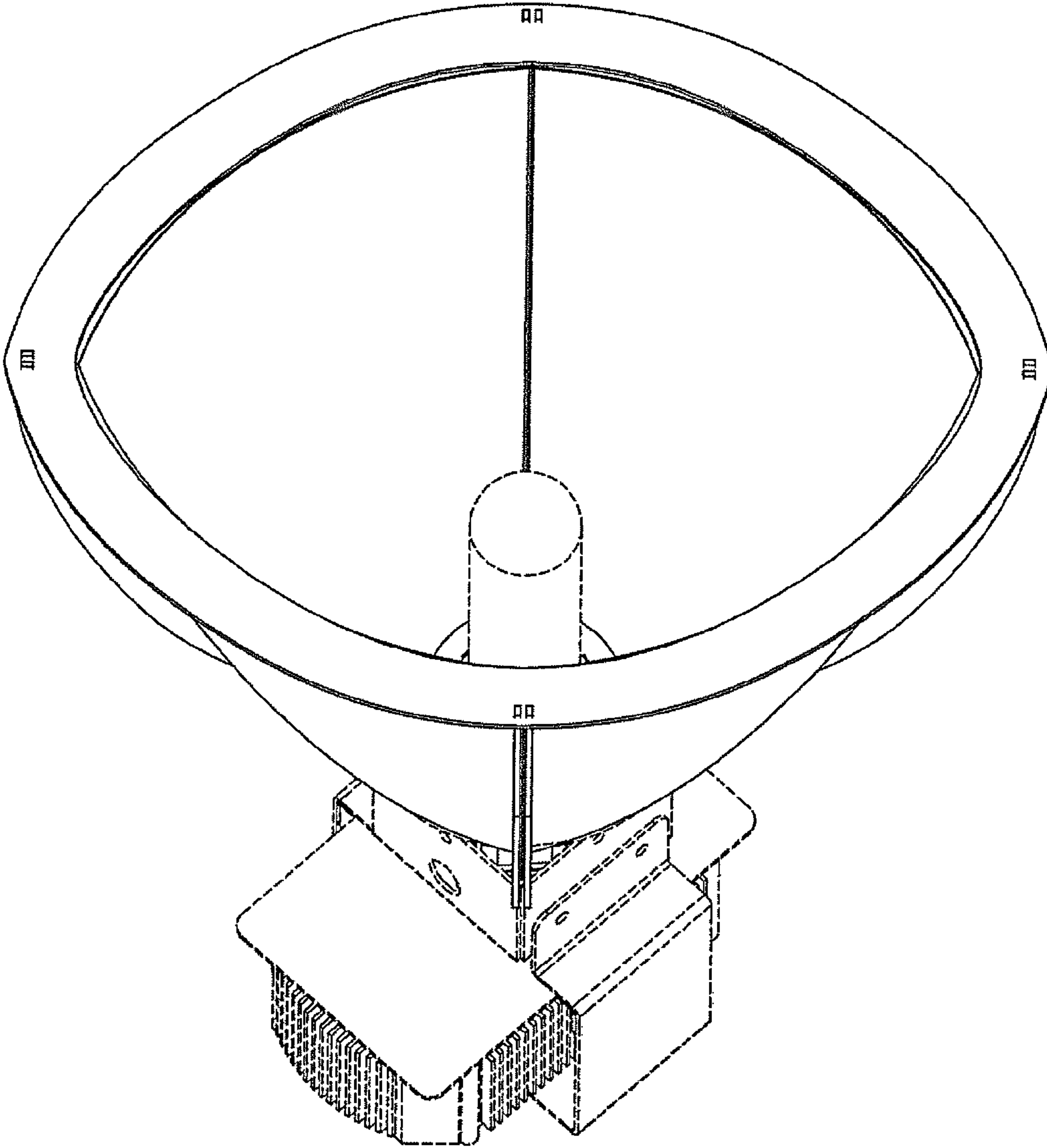


FIG. 10

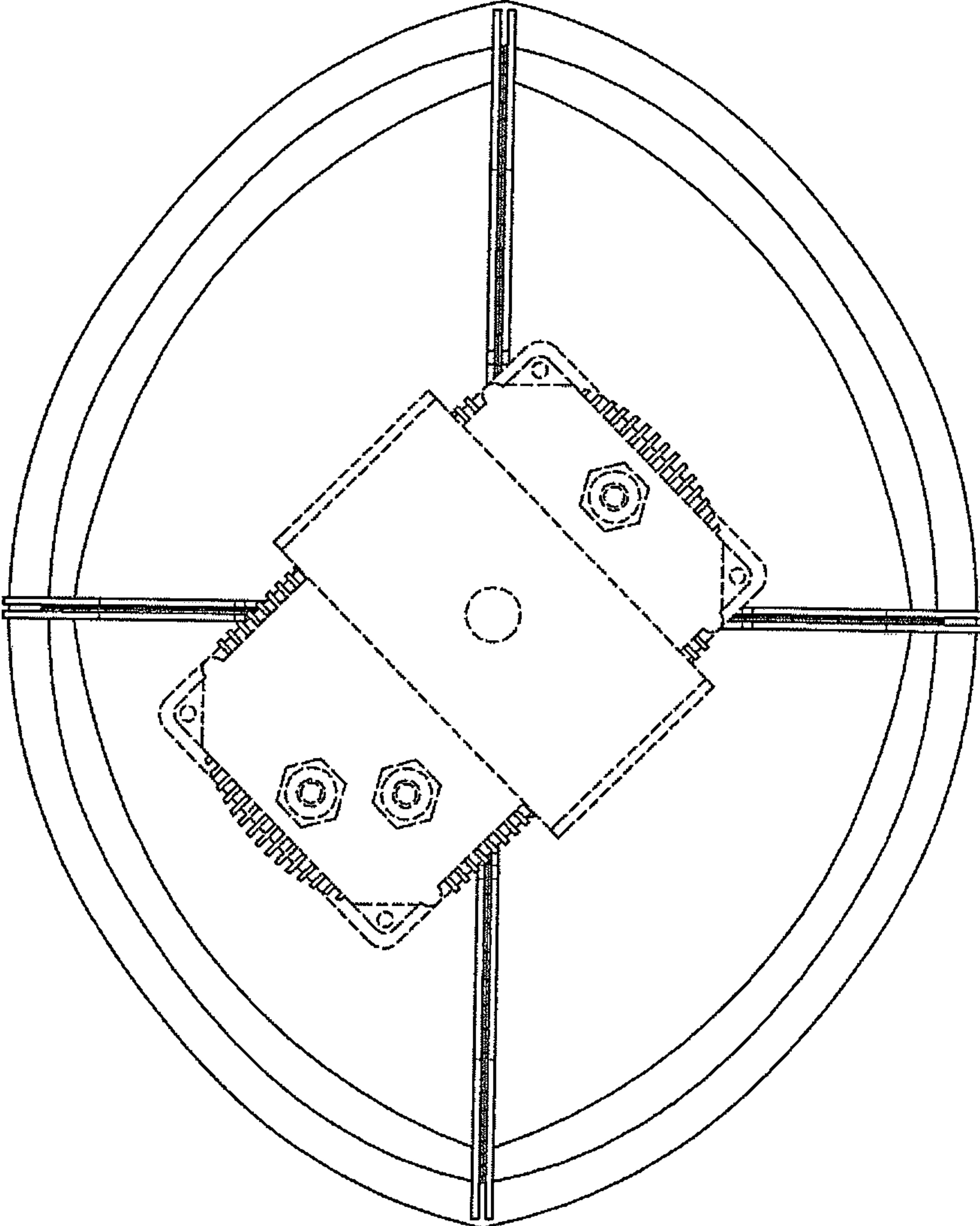


FIG. 11

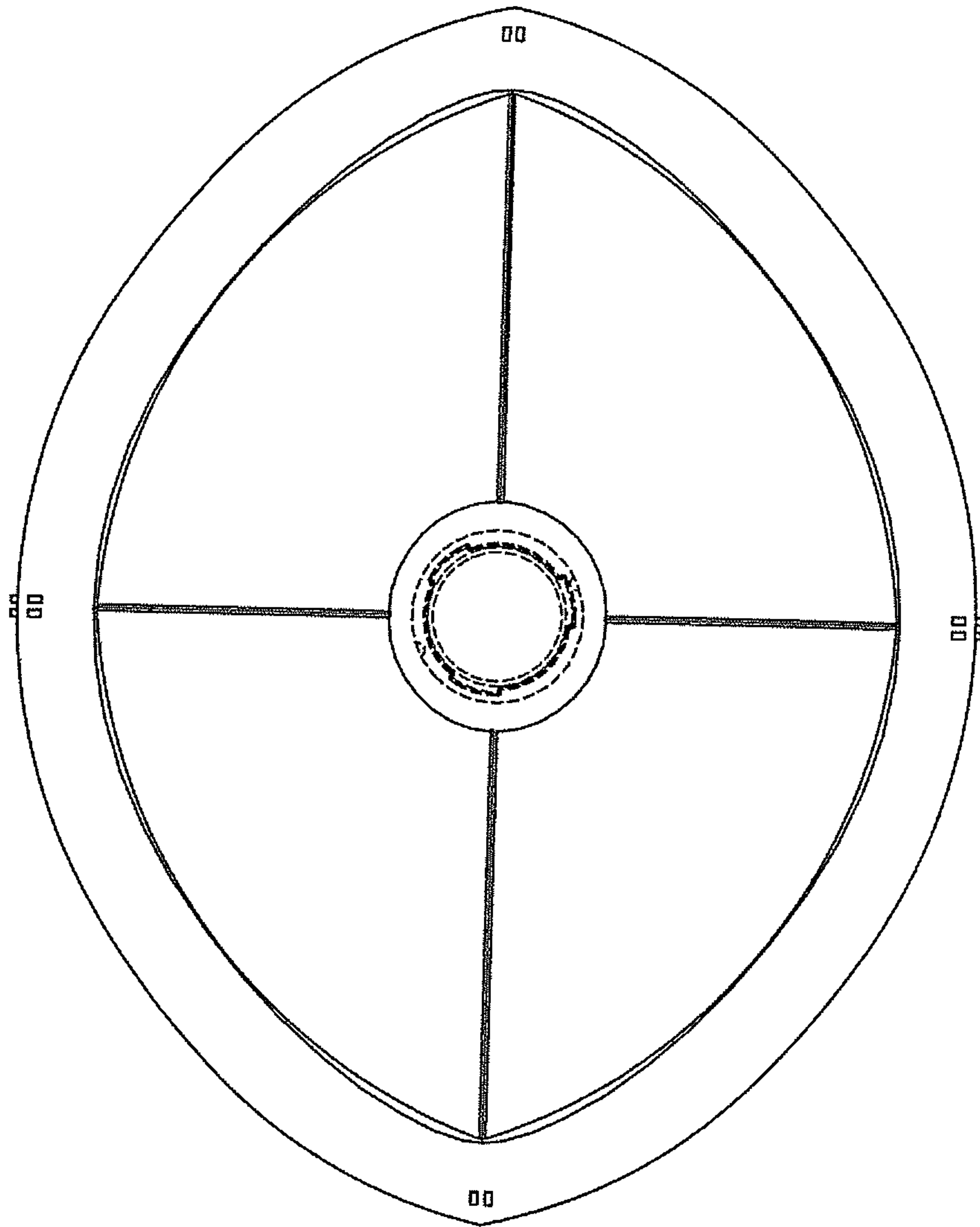


FIG. 12

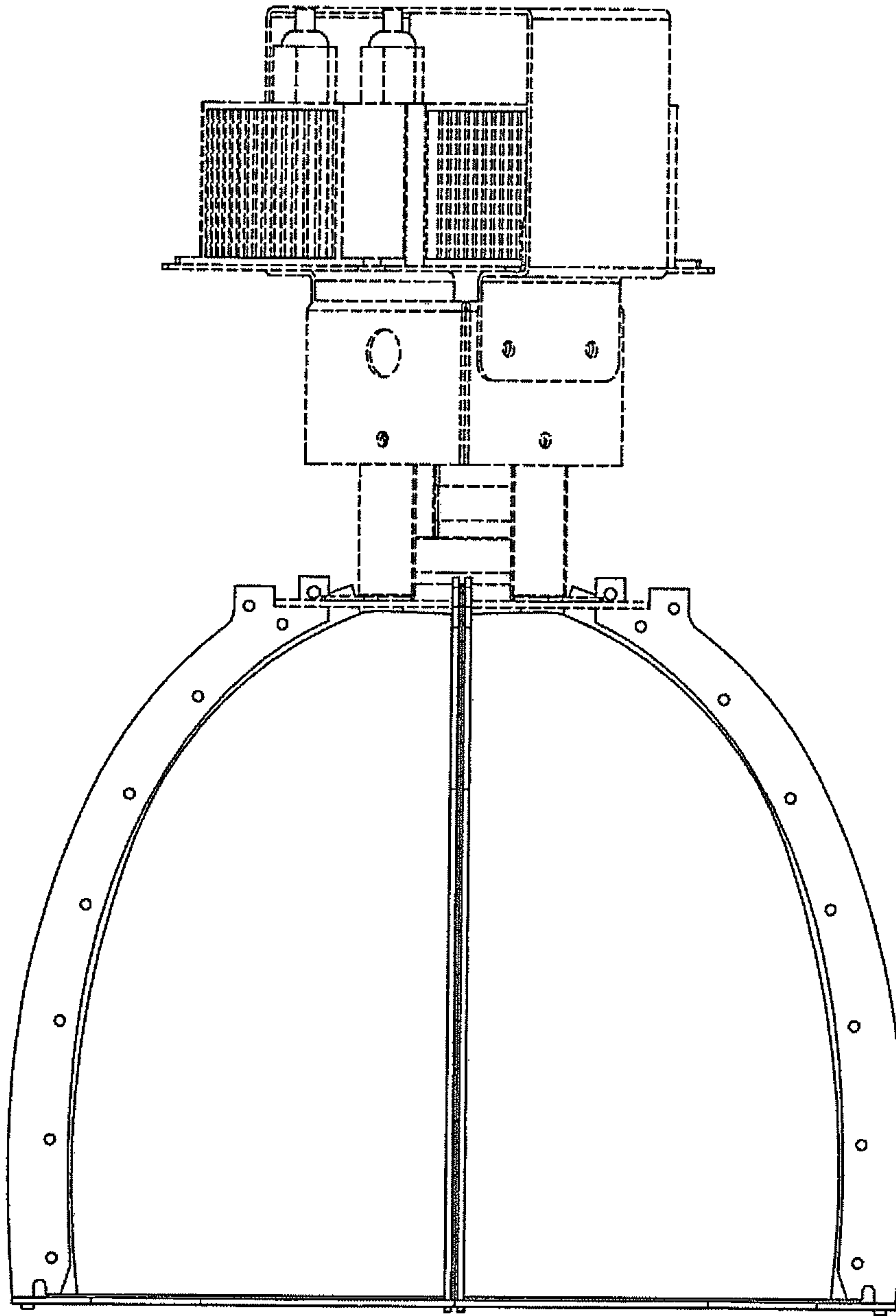


FIG. 13

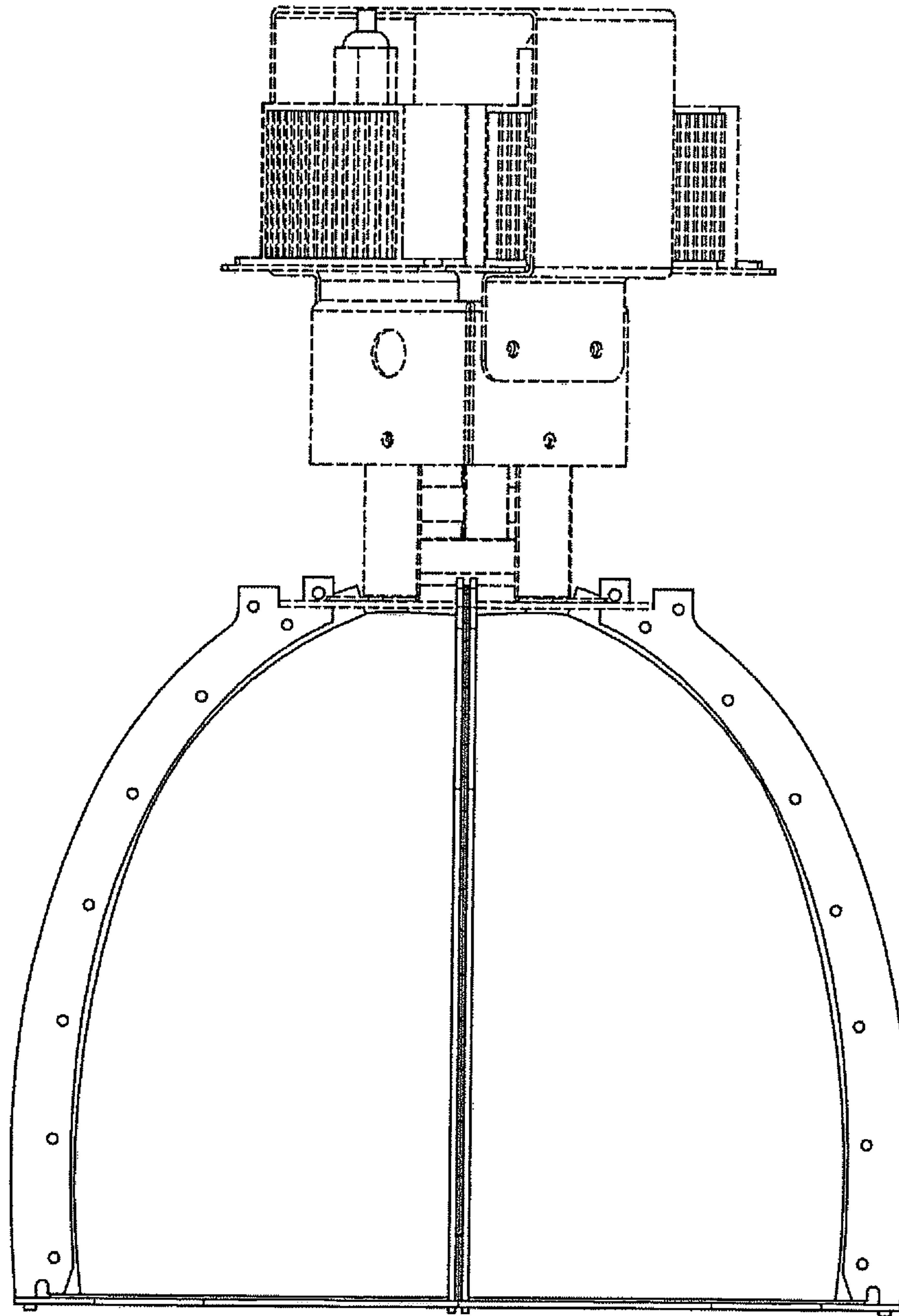


FIG. 14

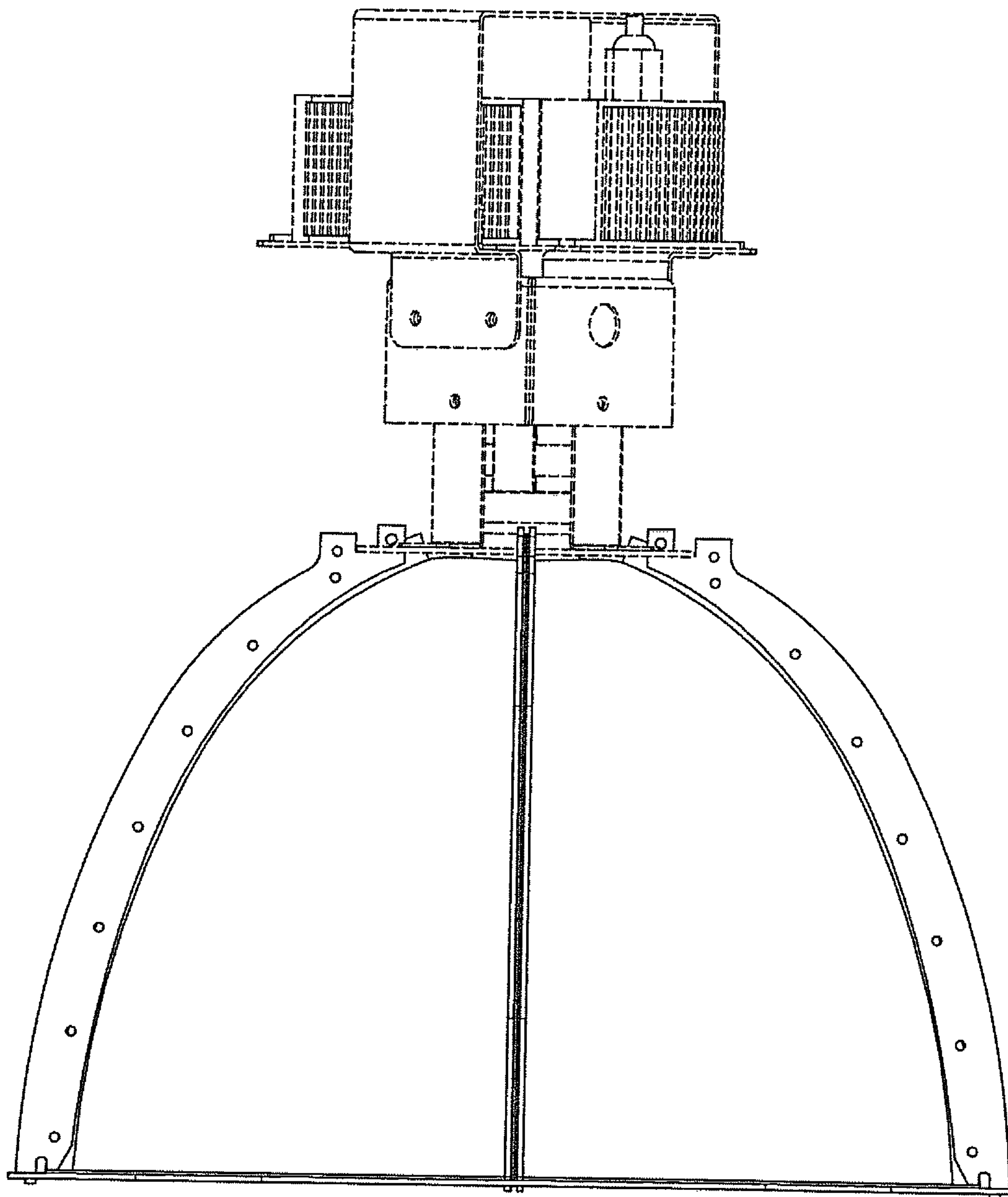


FIG. 15

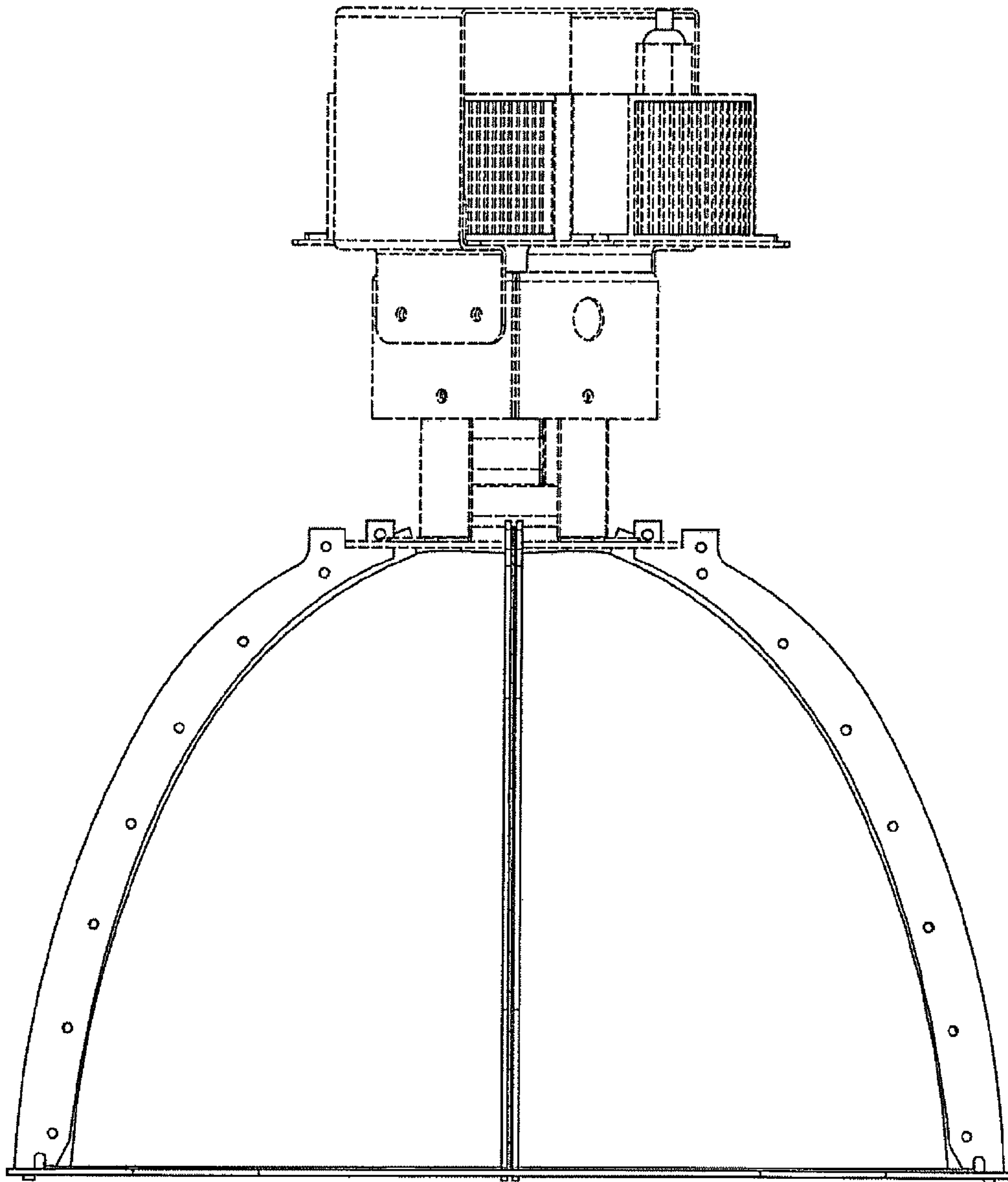


FIG. 16