



US00D683064S

(12) **United States Design Patent**  
**Tuck**

(10) **Patent No.:** **US D683,064 S**

(45) **Date of Patent:** **\*\* May 21, 2013**

(54) **LIGHT FIXTURE**

(71) Applicant: **Richard G. Tuck**, Gambier, OH (US)

(72) Inventor: **Richard G. Tuck**, Gambier, OH (US)

(73) Assignee: **Cycloptics, LLC**, Gambier, OH (US)

(\*\*) Term: **14 Years**

(21) Appl. No.: **29/434,008**

(22) Filed: **Oct. 9, 2012**

(51) **LOC (9) Cl.** ..... **26-99**

(52) **U.S. Cl.**  
USPC ..... **D26/118**

(58) **Field of Classification Search** ..... D26/118,  
D26/119, 120, 67, 68, 69, 62, 63, 85, 86,  
D26/121, 122, 65, 124, 125, 139, 138, 140,  
D26/155, 72, 76, 75, 64, 66, 71, 78, 79, 84,  
D26/137, 136, 126, 127, 128, 129, 135, 132,  
D26/134, 142, 144, 145, 147, 152, 1, 2, 3,  
D26/87, 88, 24, 25, 26, 28, 89, 90, 91, 92;  
362/225, 326, 147, 249.01-249.12, 346,  
362/223, 224, 306, 149, 362, 217.05, 342,  
362/217.03, 297, 294, 235, 329, 476, 555,  
362/218; D13/179, 180

See application file for complete search history.

(56) **References Cited**

**U.S. PATENT DOCUMENTS**

D85,049	S	*	9/1931	Kopp	.....	D26/128
2,242,590	A		5/1941	Moreau		
3,675,008	A		7/1972	Hill		
3,944,810	A	*	3/1976	Grindle	.....	362/297
D254,215	S	*	2/1980	Yahraus et al.	.....	D26/89
4,575,788	A	*	3/1986	Lewin	.....	362/346
4,654,768	A	*	3/1987	Dryman et al.	.....	362/374
4,979,086	A	*	12/1990	Heinisch	.....	362/297
5,287,259	A	*	2/1994	Lautzenheiser	.....	362/341
D368,974	S	*	4/1996	Belisle	.....	D26/88

D418,938	S	*	1/2000	McCartney et al.	.....	D26/88
D425,652	S	*	5/2000	Brok	.....	D26/118
6,152,579	A		11/2000	Reed et al.		
D442,733	S		5/2001	Minissi et al.		
6,464,378	B1	*	10/2002	Reed et al.	.....	362/320
6,478,454	B1	*	11/2002	Jaffari et al.	.....	362/307
6,494,596	B1	*	12/2002	Burroughs	.....	362/348
D469,564	S		1/2003	Brok		
6,637,912	B2	*	10/2003	Arumugasaamy et al.	...	362/327
D482,157	S		11/2003	McClow et al.		
D488,880	S	*	4/2004	Rahn	.....	D26/72
6,726,345	B2	*	4/2004	Arumugasaamy et al.	...	362/327
D493,558	S		7/2004	Kovach et al.		

(Continued)

**OTHER PUBLICATIONS**

Unpublished Design U.S. Appl. No. 29/390,985, filed May 2, 2011, first named inventor Richard G. Tuck.

*Primary Examiner* — Kevin Rudzinski

(74) *Attorney, Agent, or Firm* — Porter, Wright, Morris & Arthur, LLP

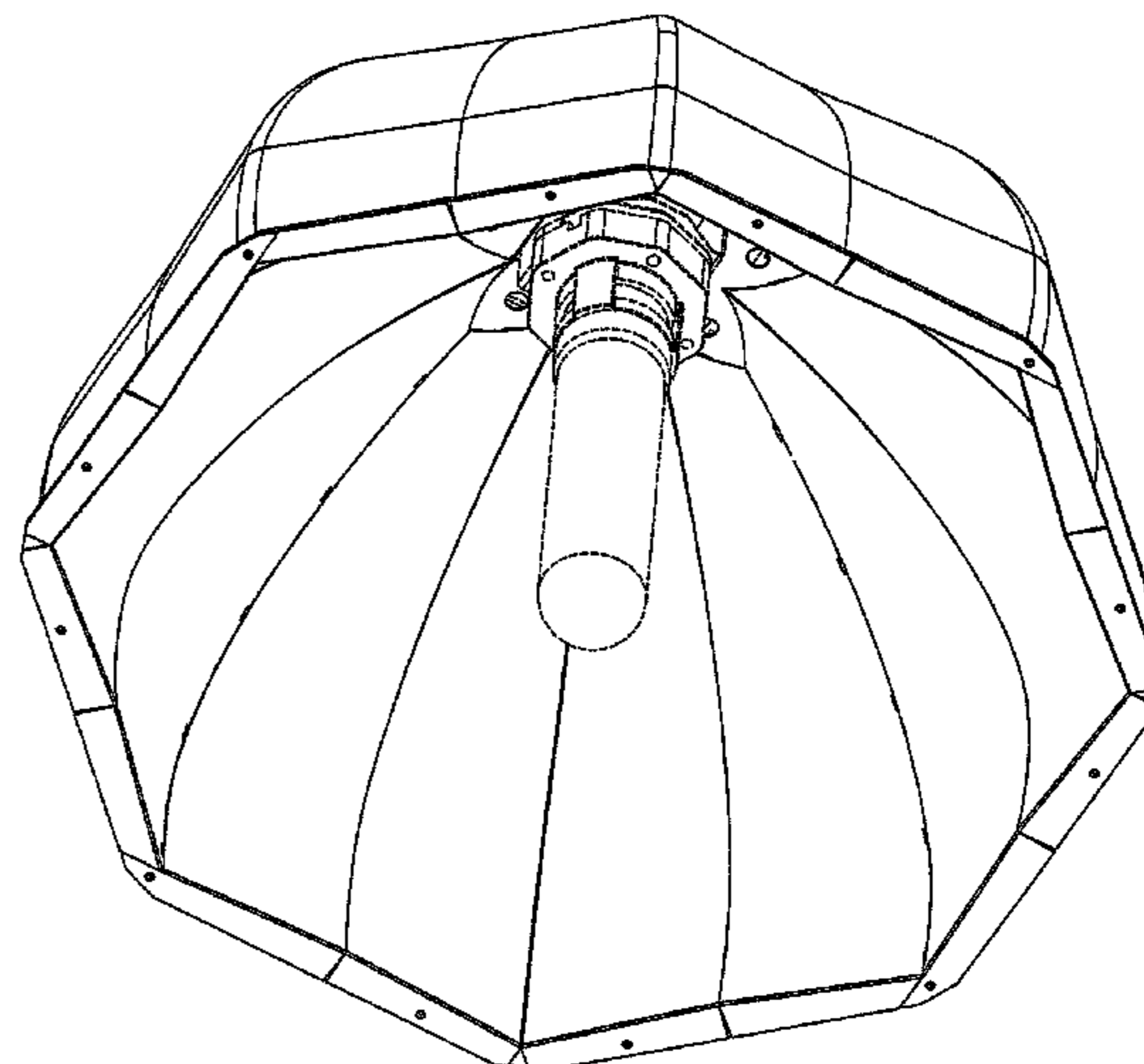
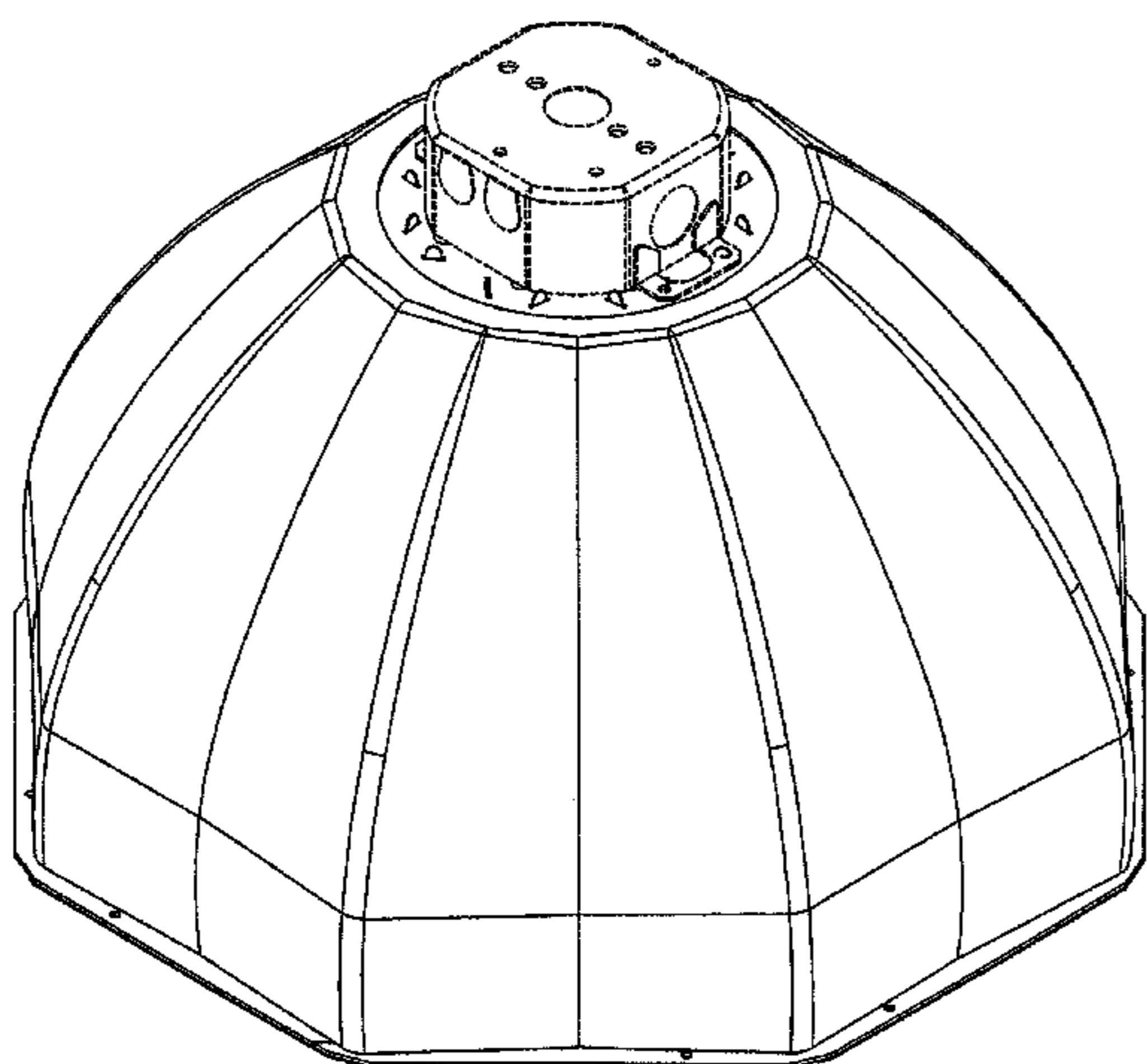
(57) **CLAIM**

The ornamental design for a light fixture, as shown and described.

**DESCRIPTION**

FIG. 1 is a perspective view of a light fixture according to my new design;  
FIG. 2 is another perspective view thereof;  
FIG. 3 is a top view thereof;  
FIG. 4 is a bottom view thereof;  
FIG. 5 is front view thereof;  
FIG. 6 is rear view thereof;  
FIG. 7 is a right side view thereof; and,  
FIG. 8 is a left side view thereof.  
The dashed lines in the figures form no part of the claimed design and are included to show environment.

**1 Claim, 8 Drawing Sheets**



# US D683,064 S

Page 2

---

## U.S. PATENT DOCUMENTS

D516,740 S *	3/2006	Sales .....	D26/123	D585,586 S *	1/2009	Ishibashi .....	D26/118
7,213,948 B2 *	5/2007	Hein .....	362/346	D621,993 S	8/2010	Jong	
D544,640 S *	6/2007	Sase et al. ....	D26/123	7,784,976 B2 *	8/2010	Chon .....	362/297
D545,994 S	7/2007	Hargreaves		D634,468 S	3/2011	Hargreaves	
7,380,967 B2	6/2008	Reed et al.		D634,469 S	3/2011	Hargreaves	
7,445,363 B2	11/2008	Vanden Eynden		D650,515 S	12/2011	Bradley, Jr. et al.	
D583,980 S *	12/2008	Guercio .....	D26/88	8,337,051 B2 *	12/2012	Hawkes et al. ....	362/297

\* cited by examiner

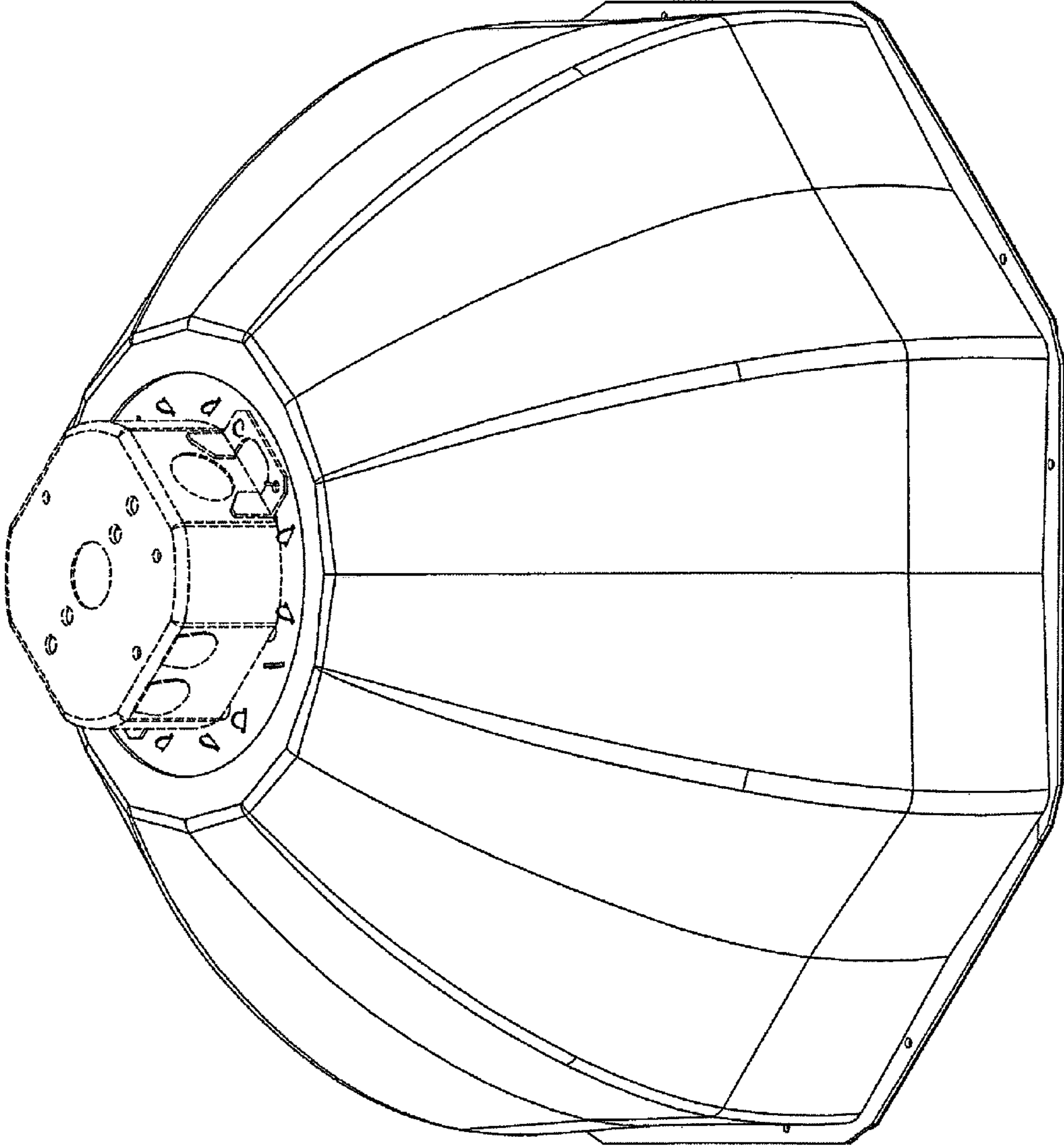


FIG. 1

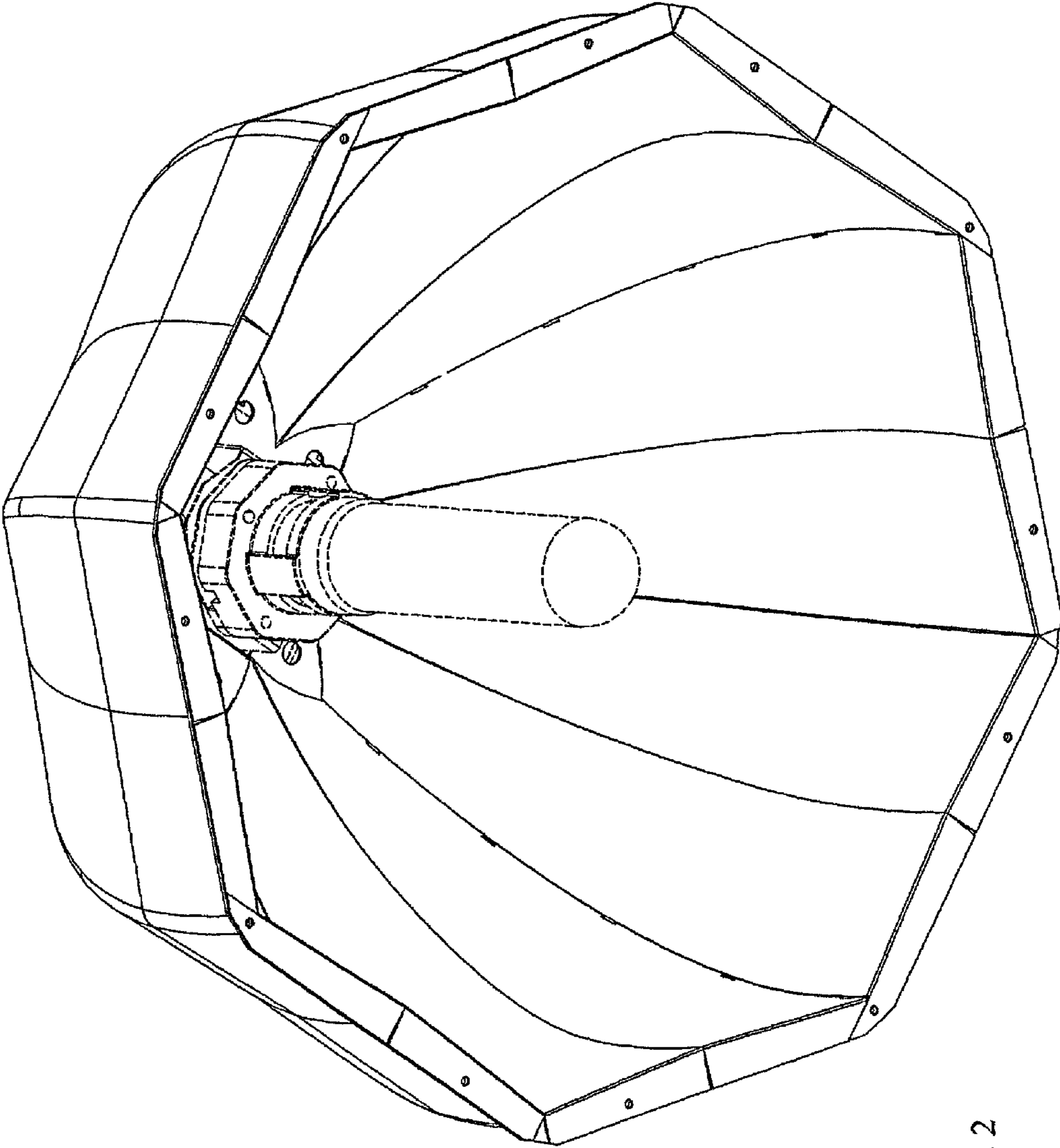


FIG. 2



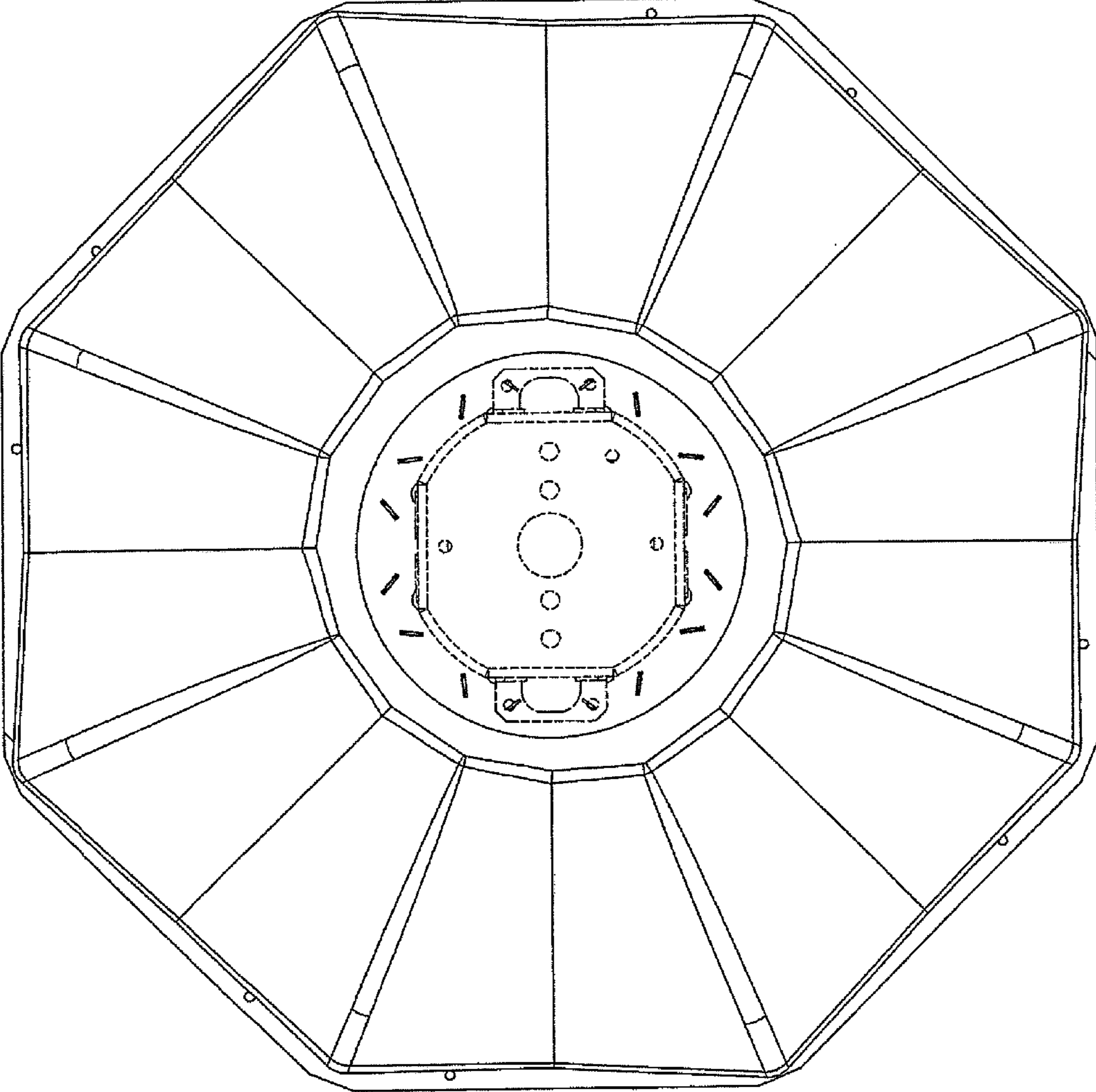


FIG. 3

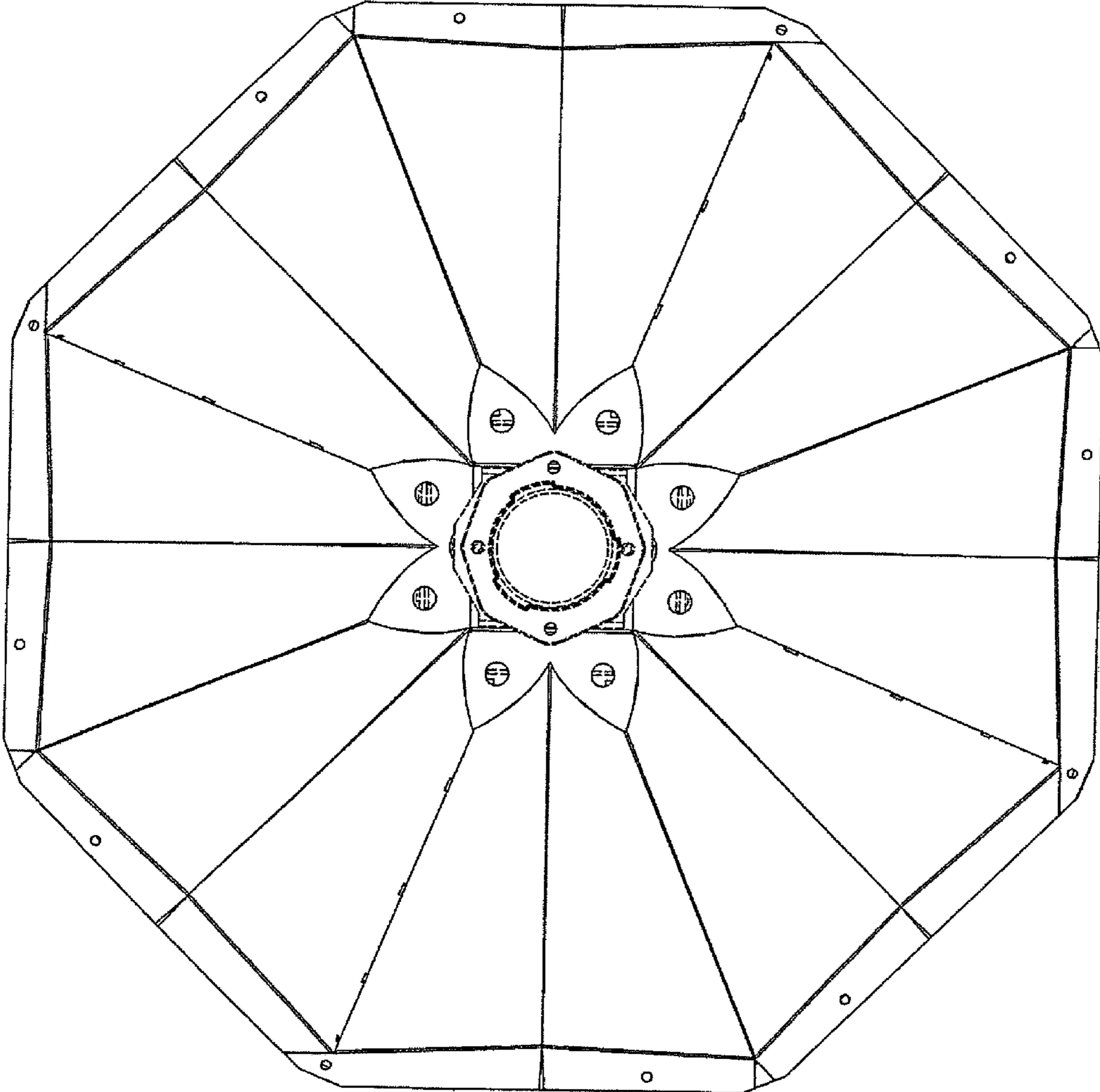


FIG. 4

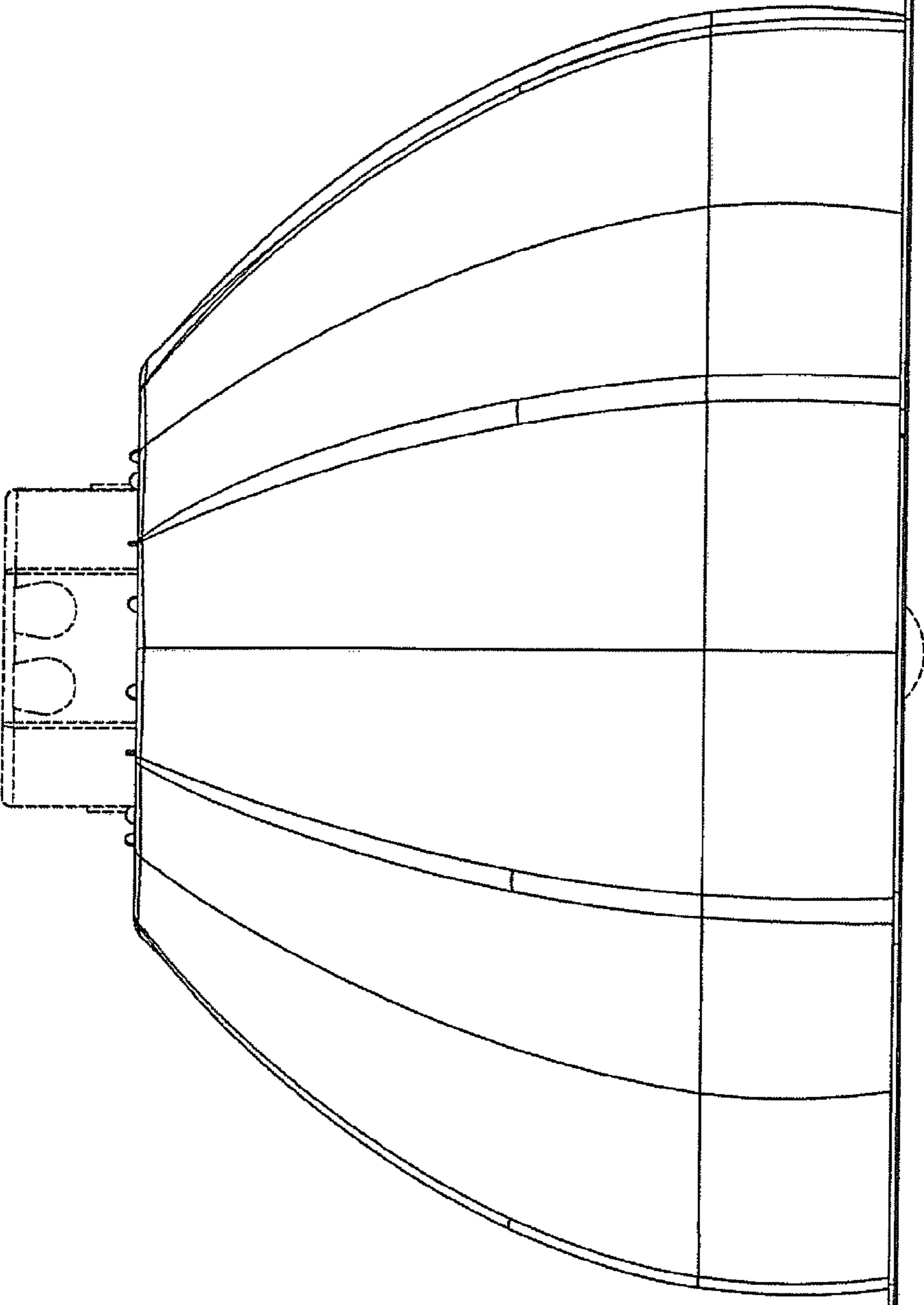


FIG. 5

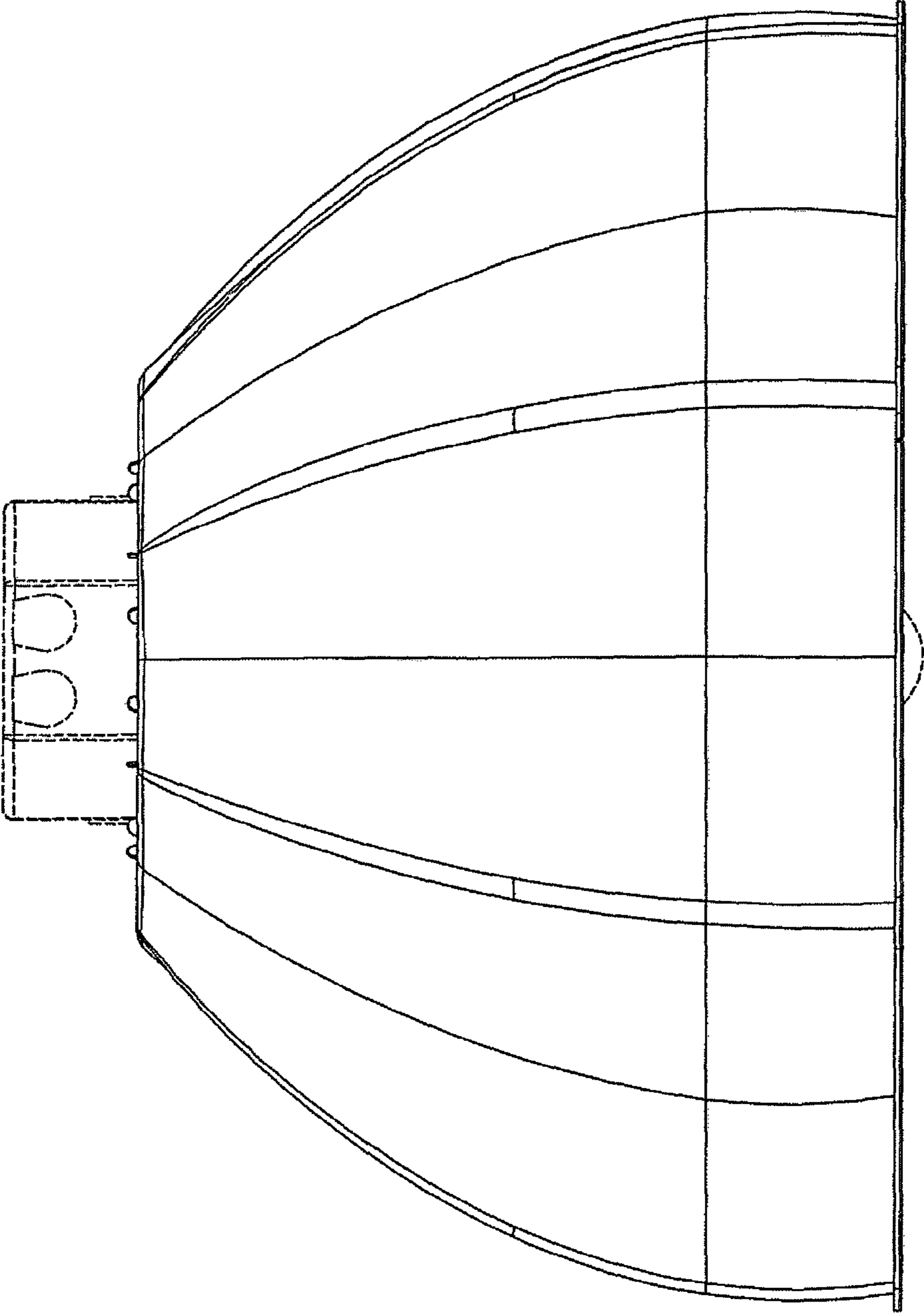


FIG. 6



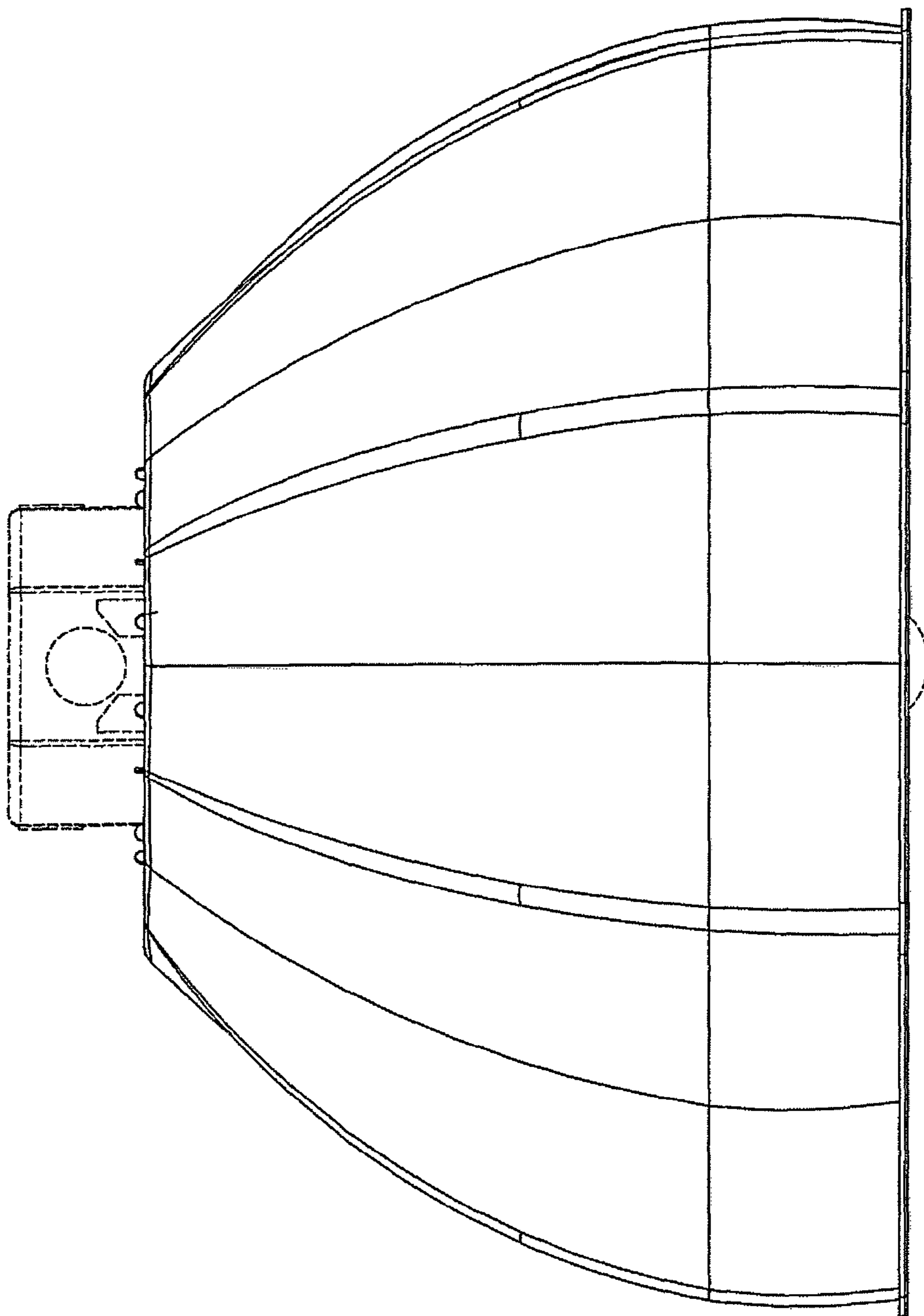


FIG. 7

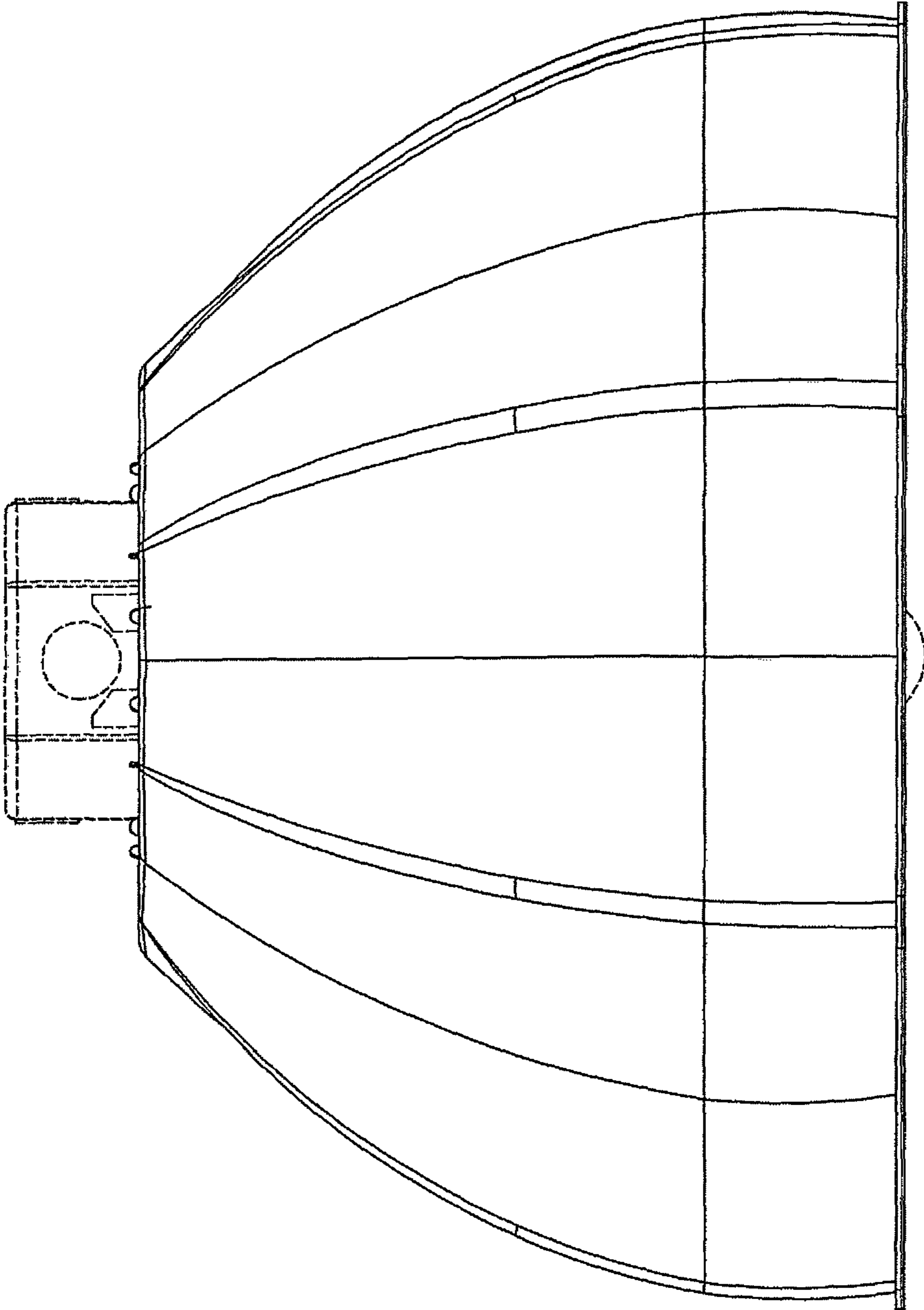


FIG. 8