



US00D683063S

(12) **United States Design Patent**
Lopez et al.

(10) **Patent No.:** **US D683,063 S**

(45) **Date of Patent:** **** May 21, 2013**

(54) **LIGHTING FIXTURE**

(75) Inventors: **Peter E. Lopez**, Cary, NC (US); **Aparna Sproelich**, Cary, NC (US); **Jason Taylor**, Cary, NC (US)

(73) Assignee: **Cree, Inc.**, Durham, NC (US)

(**) Term: **14 Years**

(21) Appl. No.: **29/377,926**

(22) Filed: **Oct. 27, 2010**

(51) **LOC (9) Cl.** **26-99**

(52) **U.S. Cl.**
USPC **D26/113**

(58) **Field of Classification Search**
USPC D26/88, 91, 85, 86, 72, 74, 76, 118,
D26/90, 134, 73, 75, 119, 120, 121, 122,
D26/113, 71, 84, 128, 129, 2, 125, 78, 77,
D26/138, 26, 89, 124, 130, 9, 10, 11, 24,
D26/25, 63, 64, 65, 69, 127; 362/311.13,
362/249.01-249.12, 373, 362, 326, 247,
362/342, 220, 147, 148, 282, 339, 620, 223,
362/376, 219; D23/412, 385, 388; 349/64,
349/62, 63, 65; D16/101; D13/179, 180
See application file for complete search history.

(56) **References Cited**

U.S. PATENT DOCUMENTS

D578,698 S * 10/2008 Zheng D26/71
7,458,706 B1 * 12/2008 Liu et al. 362/373

(Continued)

FOREIGN PATENT DOCUMENTS

WO 2009111940 A1 9/2009
WO 2011037879 A1 3/2011

OTHER PUBLICATIONS

Invitation to Pay Additional Fees for PCT/2011/055881 mailed Feb. 27, 2012, 7 pages.

Written Opinion of the International Preliminary Examining Authority for PCT/US2011/055881 mailed Oct. 19, 2012, 8 pages.

(Continued)

Primary Examiner — Kevin Rudzinski

(74) *Attorney, Agent, or Firm* — Withrow & Terranova, P.L.L.C.

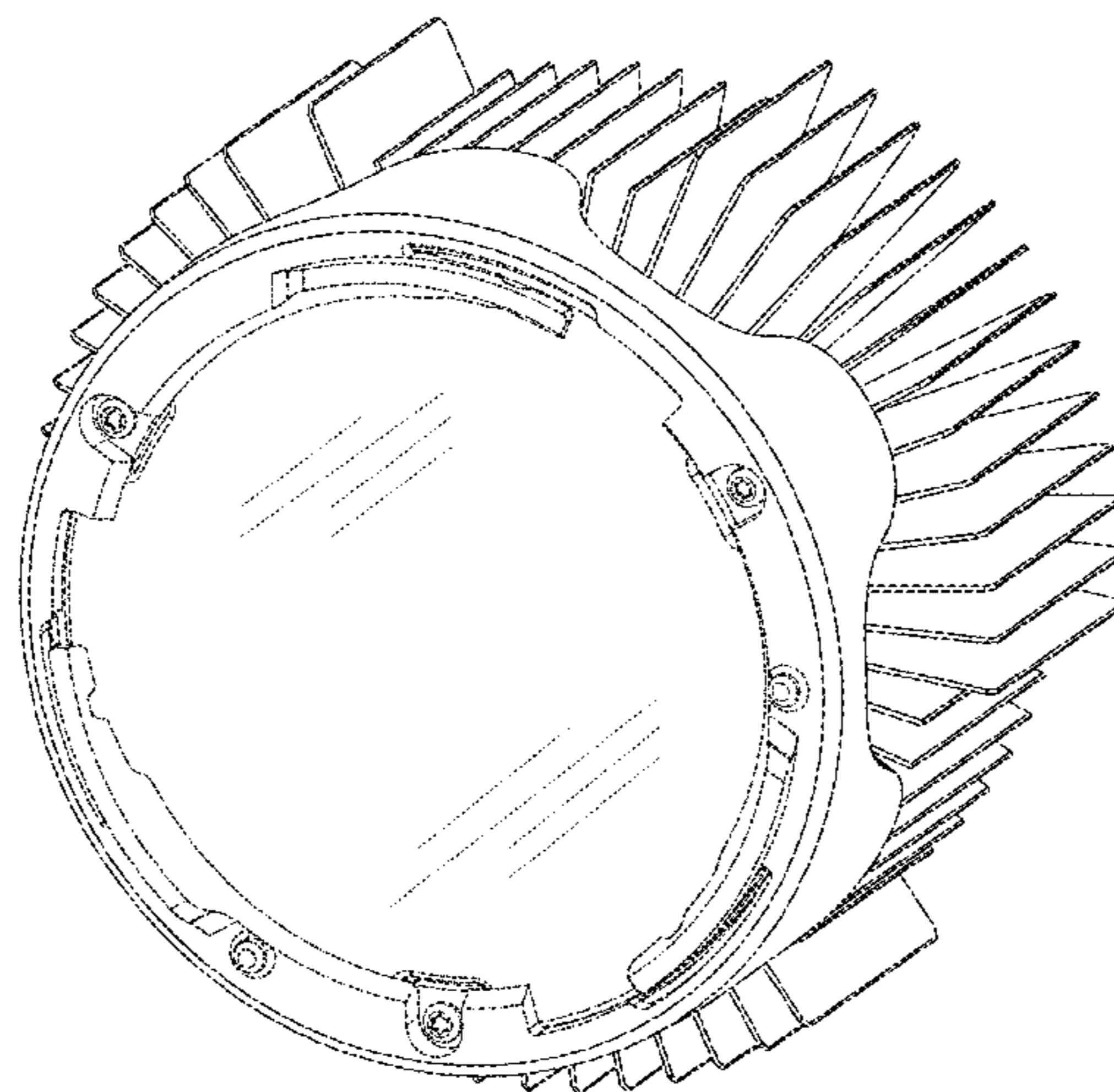
(57) **CLAIM**

The ornamental design for lighting fixture, as shown and described.

DESCRIPTION

FIG. 1 is a front isometric view of a first embodiment of a lighting fixture according to the design;
FIG. 2 is a side isometric view of the lighting fixture of FIG. 1;
FIG. 3 is a rear isometric view of the lighting fixture of FIG. 1;
FIG. 4 is a side view of the lighting fixture of FIG. 1;
FIG. 5 is a front view of the lighting fixture of FIG. 1;
FIG. 6 is a rear view of the lighting fixture of FIG. 1;
FIG. 7 is a front isometric view of a second embodiment of a lighting fixture according to the design;
FIG. 8 is a side isometric view of the lighting fixture of FIG. 7;
FIG. 9 is a rear isometric view of the lighting fixture of FIG. 7;
FIG. 10 is a side view of the lighting fixture of FIG. 7;
FIG. 11 is a front view of the lighting fixture of FIG. 7;
FIG. 12 is a rear view of the lighting fixture of FIG. 7;
FIG. 13 is a front isometric view of a third embodiment of a lighting fixture according to the design;
FIG. 14 is a side isometric view of the lighting fixture of FIG. 13;
FIG. 15 is a rear isometric view of the lighting fixture of FIG. 13;
FIG. 16 is a side view of the lighting fixture of FIG. 13;
FIG. 17 is a front view of the lighting fixture of FIG. 13; and,
FIG. 18 is a rear view of the lighting fixture of FIG. 13.

1 Claim, 18 Drawing Sheets



US D683,063 S

Page 2

U.S. PATENT DOCUMENTS

D591,894 S * 5/2009 Flank D26/74
7,553,047 B2 * 6/2009 Shin et al. 362/294
D611,650 S * 3/2010 Broekhoff D26/134
7,744,259 B2 * 6/2010 Walczak et al. 362/421
D627,727 S * 11/2010 Alexander et al. D13/134
D627,912 S * 11/2010 Mo D26/72
D633,099 S 2/2011 Van de Ven et al.
7,914,902 B2 * 3/2011 Kao et al. 428/598
7,967,474 B2 * 6/2011 Ghim et al. 362/294
D651,735 S * 1/2012 Dai D26/72
D664,291 S * 7/2012 Blincoe et al. D26/152
D666,351 S * 8/2012 Tsao D26/92
2006/0290891 A1 * 12/2006 Wang et al. 353/52
2007/0253202 A1 * 11/2007 Wu et al. 362/294
2009/0147517 A1 * 6/2009 Li et al. 362/249.02

2009/0290343 A1 11/2009 Brown et al.
2010/0225220 A1 9/2010 Tanaka et al.
2010/0259935 A1 * 10/2010 Scordino et al. 362/294
2011/0002124 A1 * 1/2011 Chang et al. 362/294
2011/0074289 A1 3/2011 Van de Ven et al.
2011/0075411 A1 3/2011 Van De Ven et al.
2011/0075414 A1 3/2011 Van De Ven et al.

OTHER PUBLICATIONS

International Search Report and Written Opinion for PCT/US2011/055881 mailed Jun. 14, 2012, 24 pages.

International Preliminary Report on Patentability for PCT/US2011/055881 mailed Jan. 23, 2013, 8 pages.

* cited by examiner

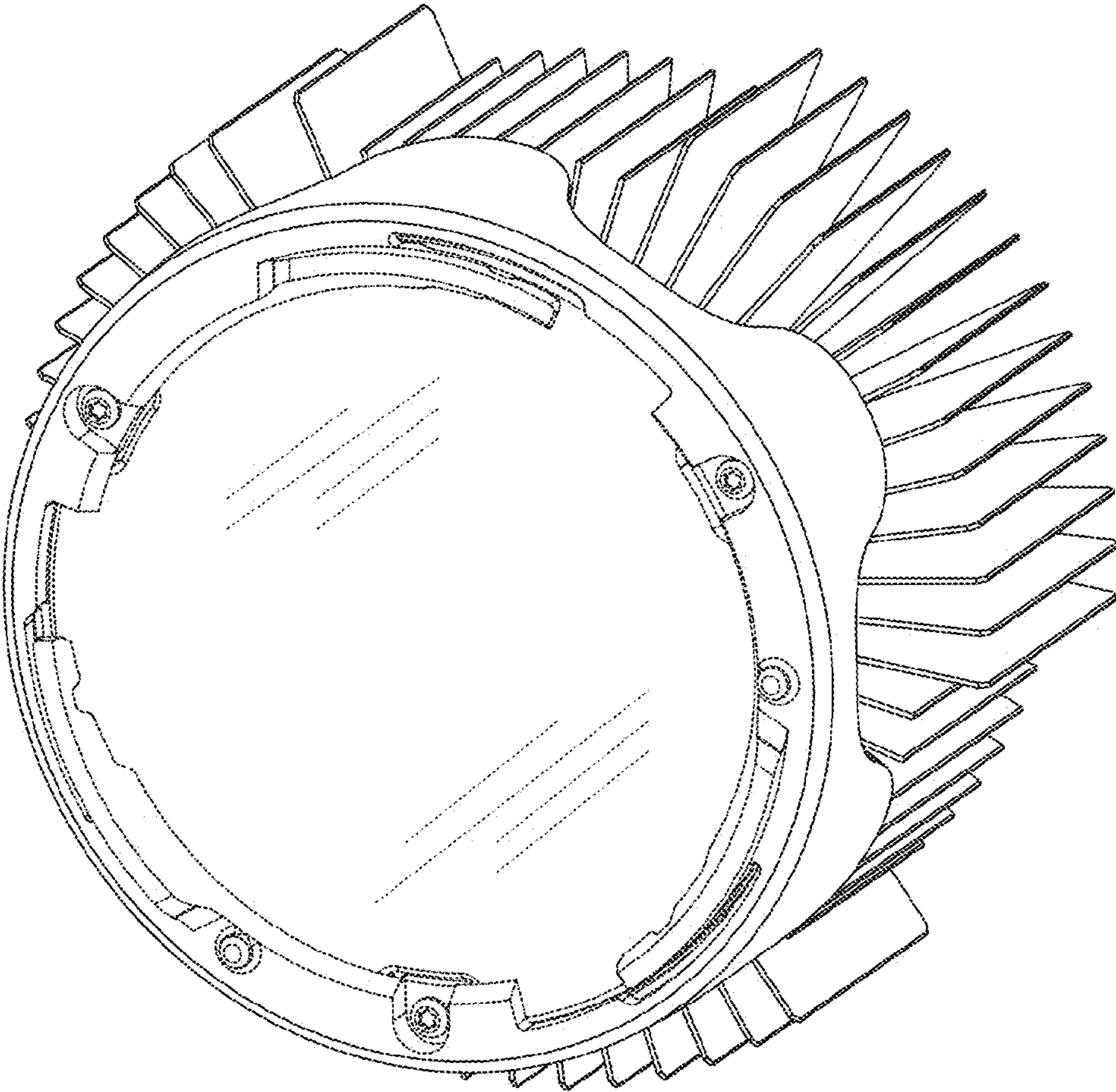


FIG. 1

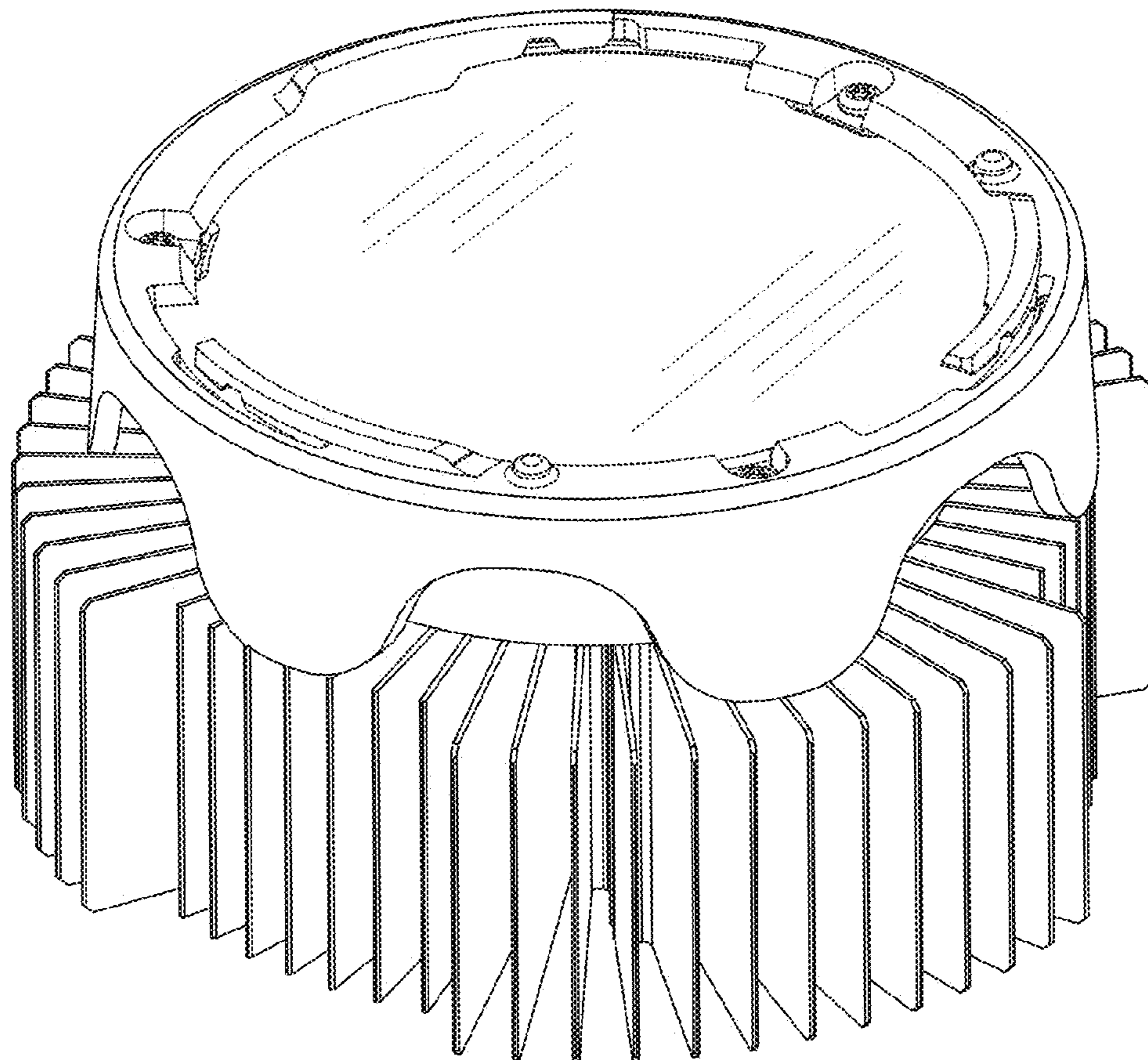


FIG. 2

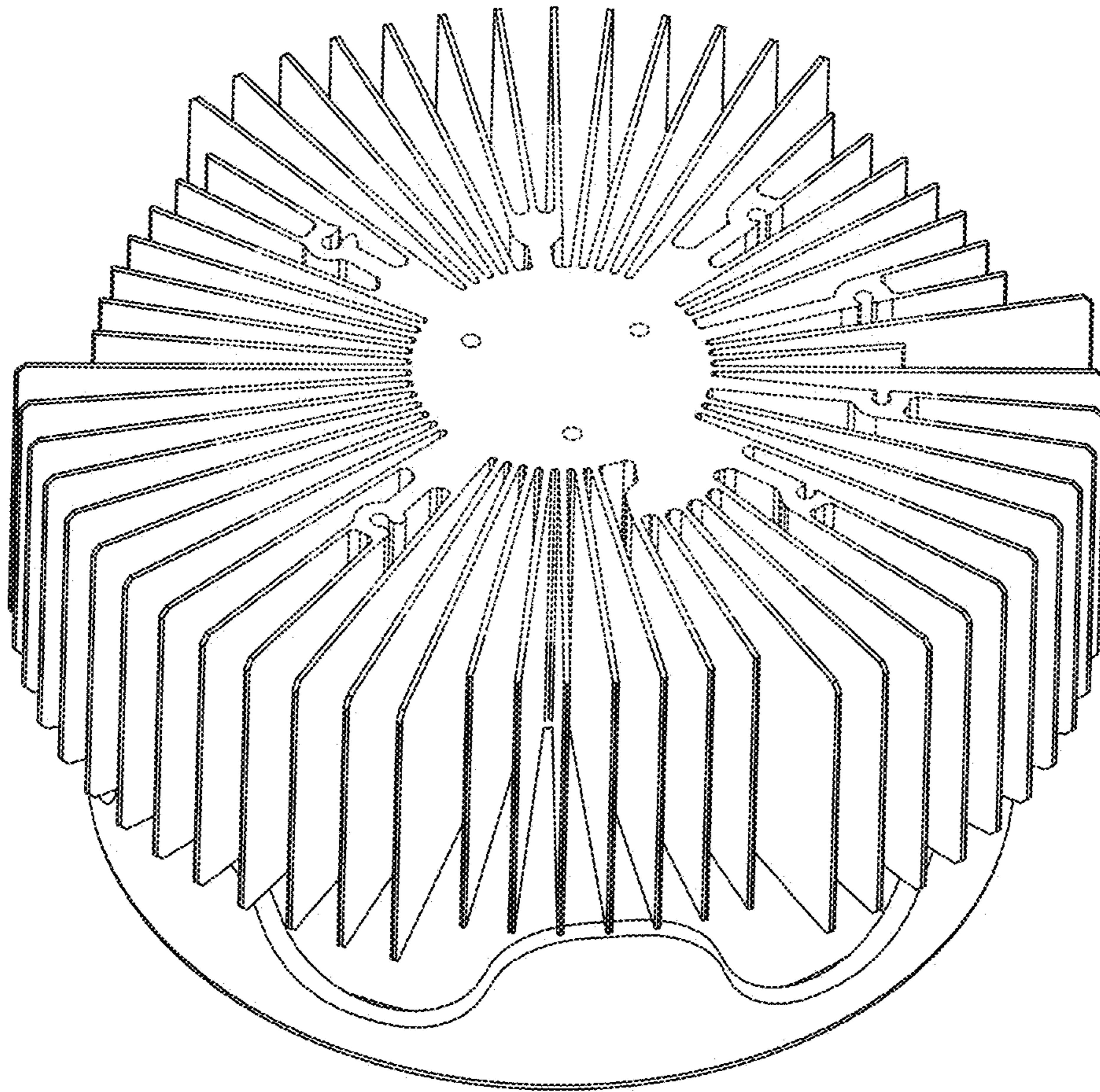


FIG. 3

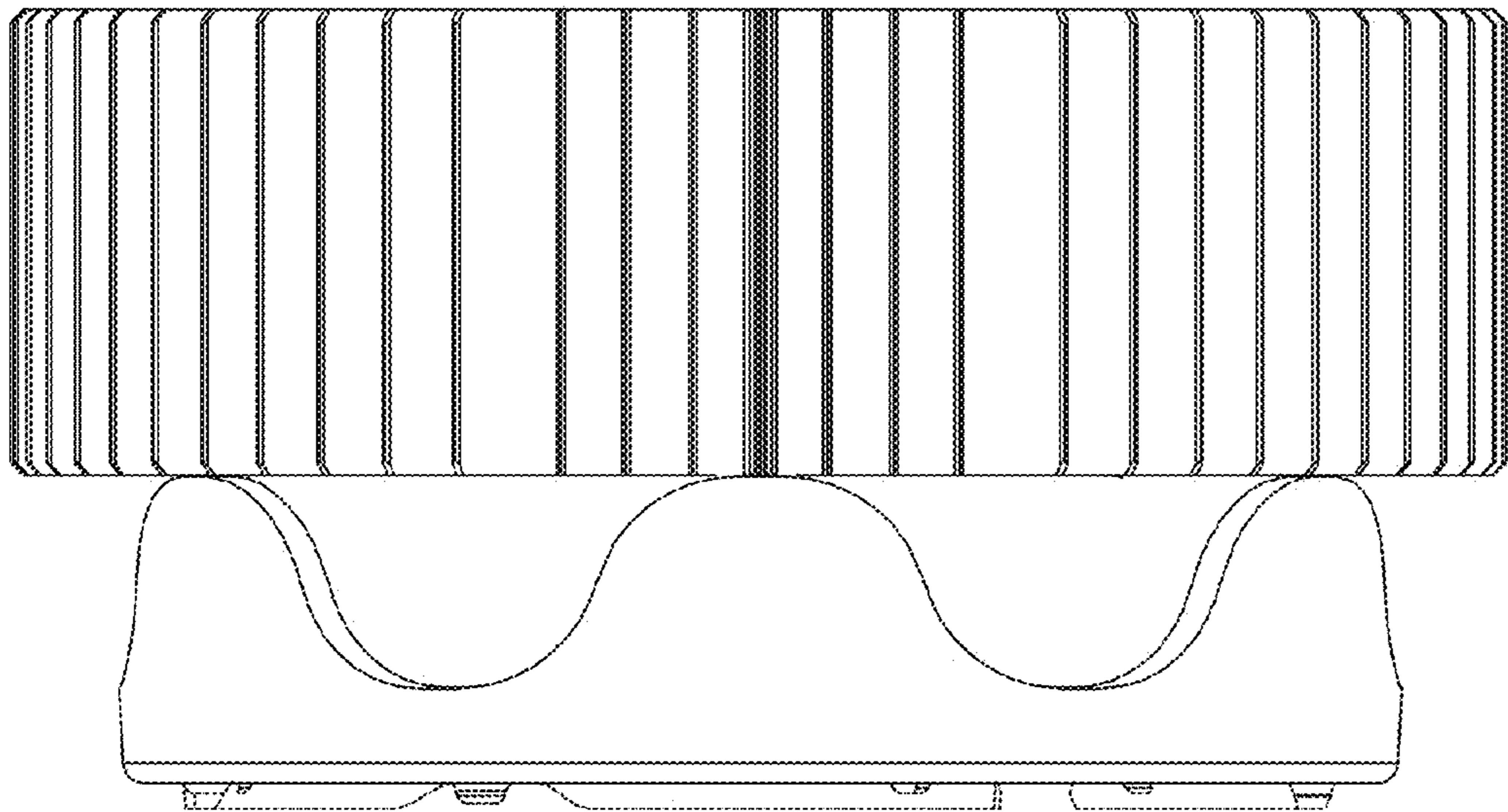


FIG. 4

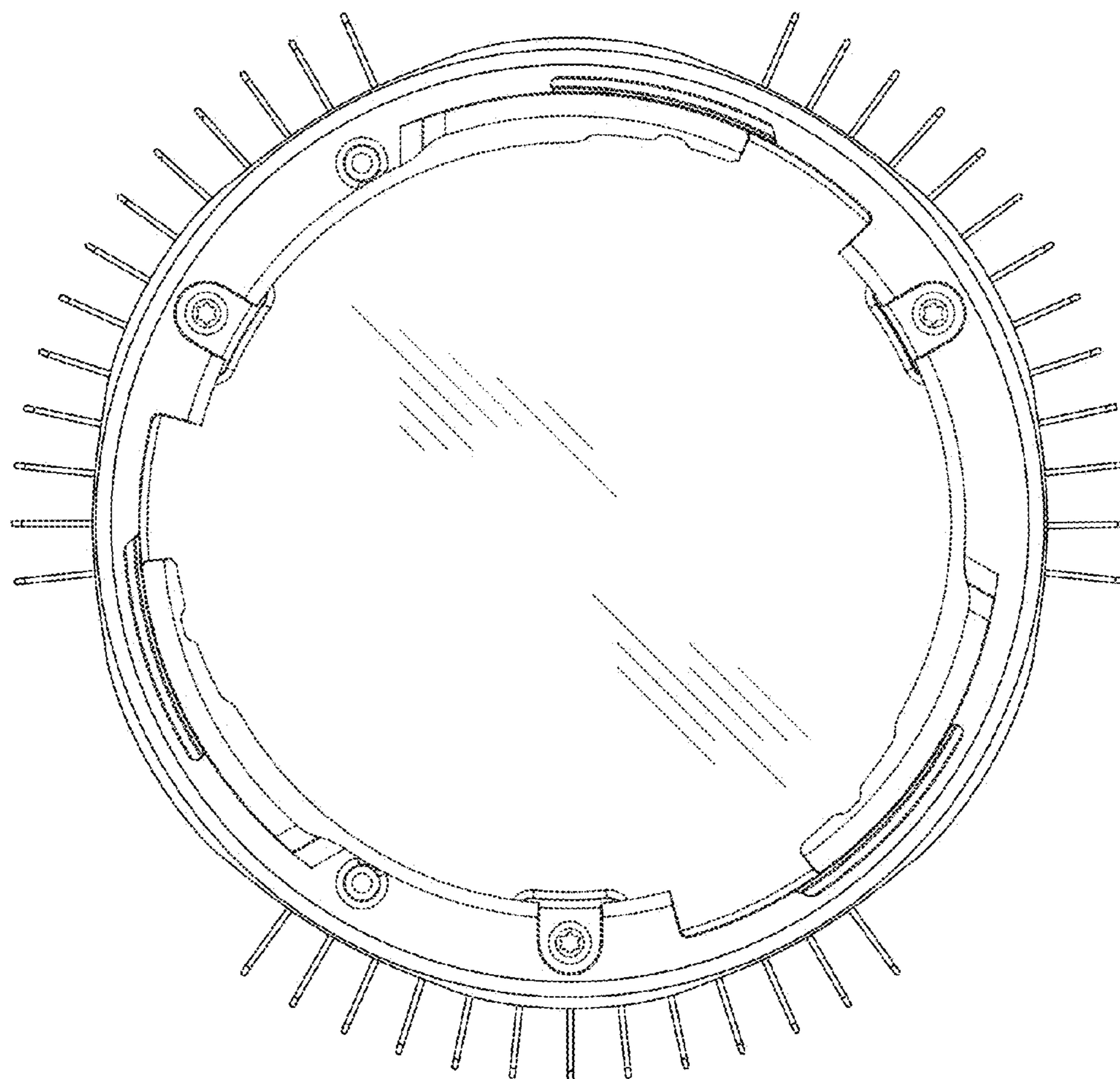


FIG. 5

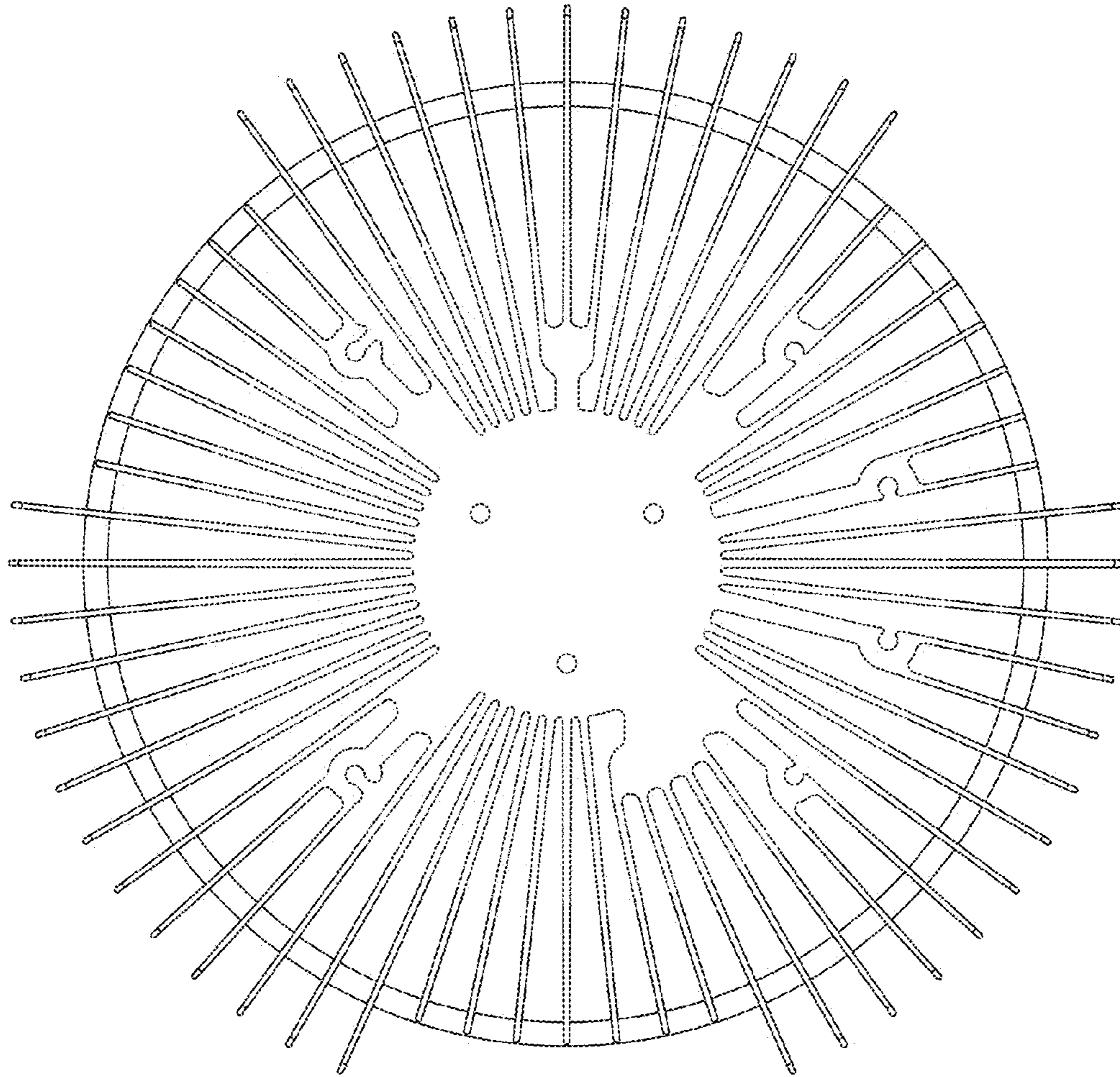


FIG. 6

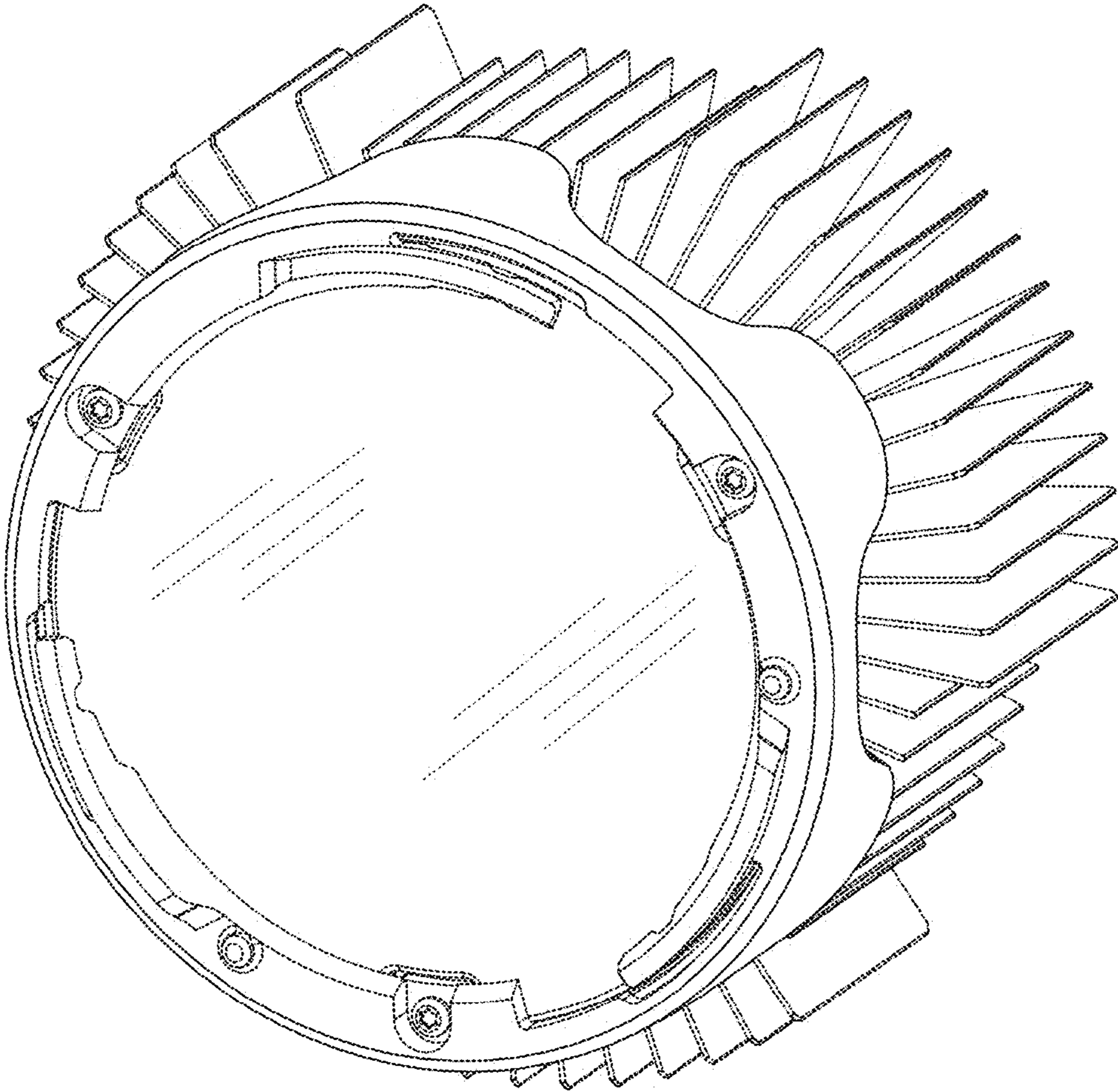


FIG. 7

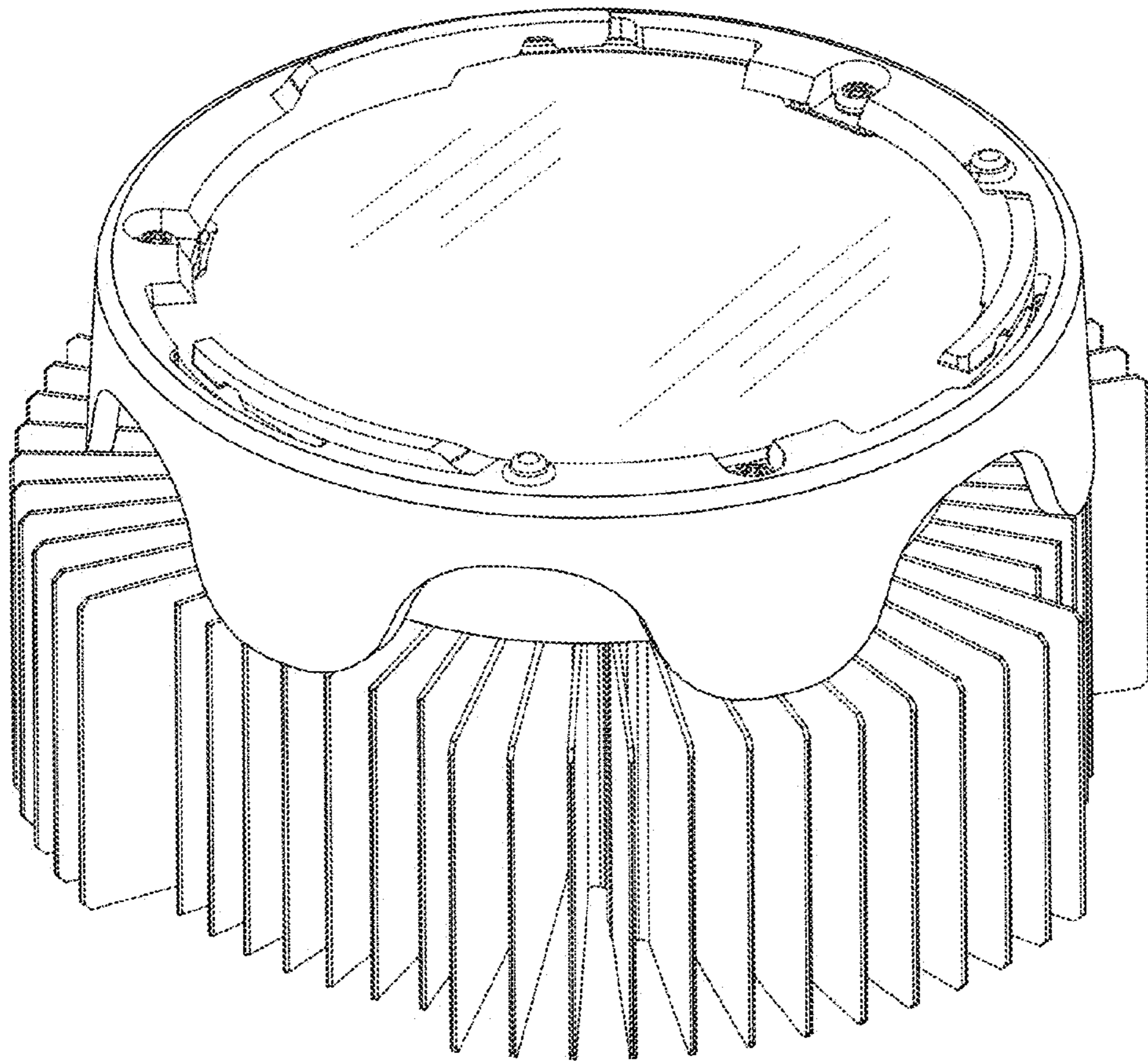


FIG. 8

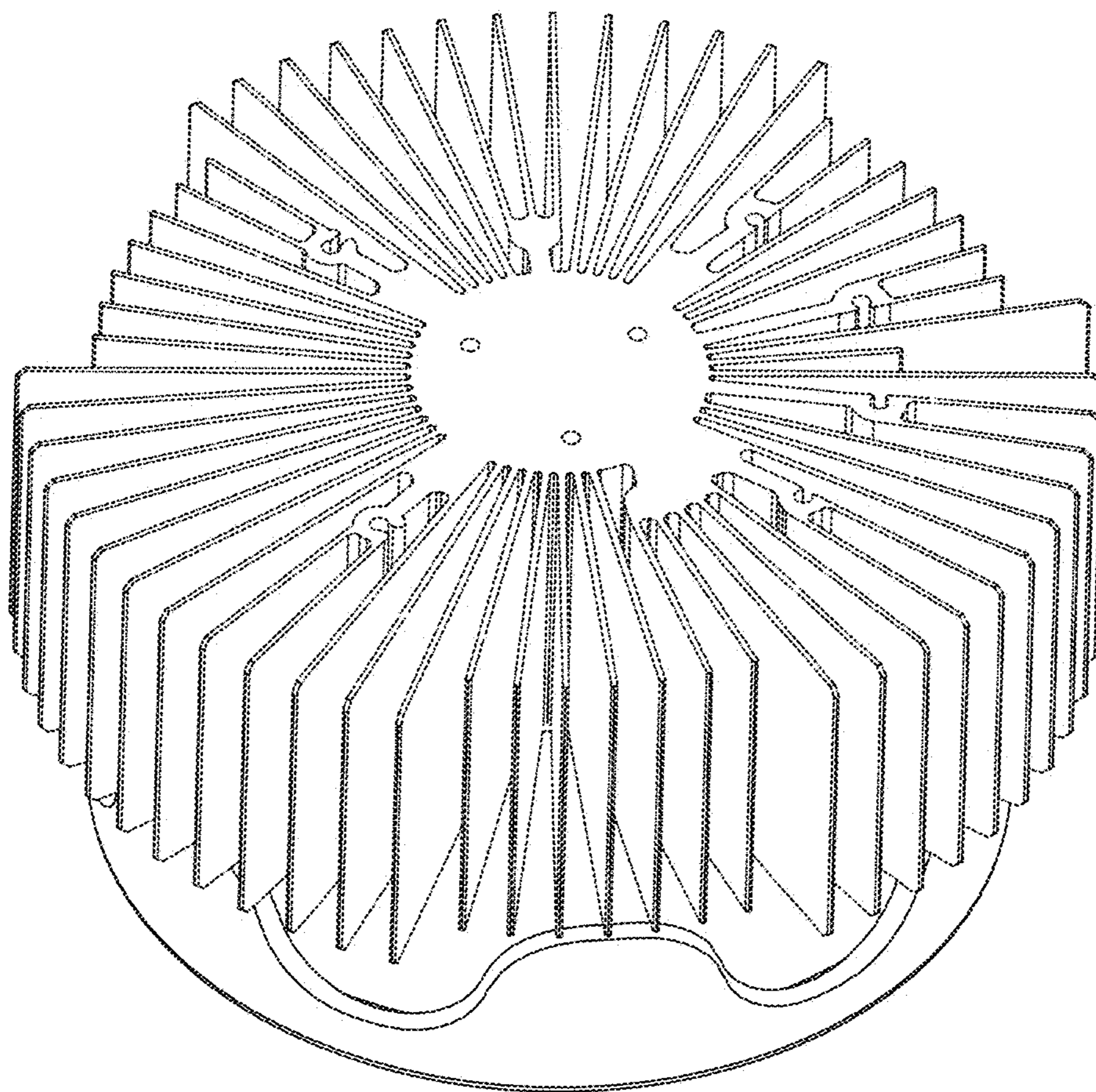


FIG. 9

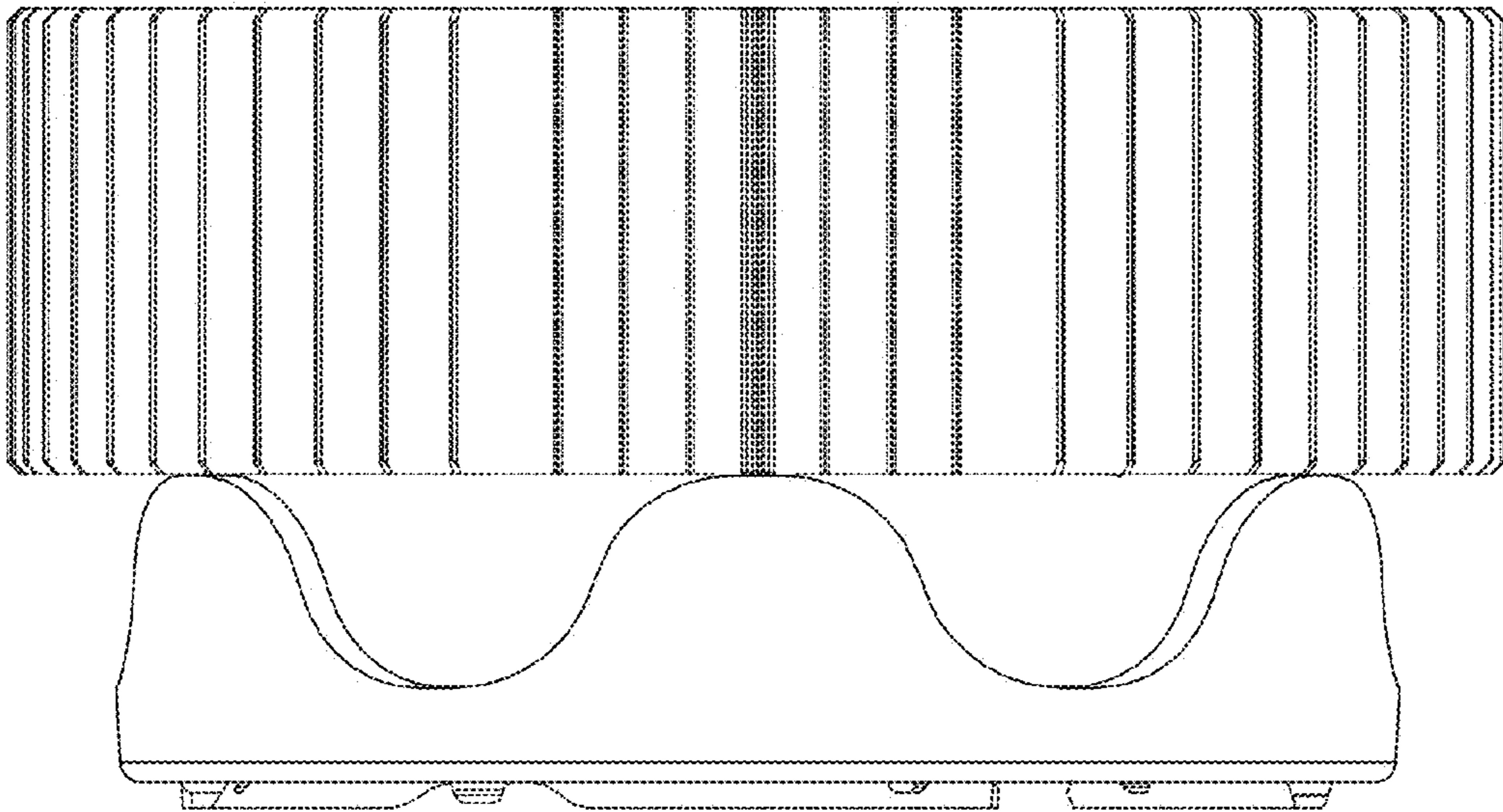


FIG. 10

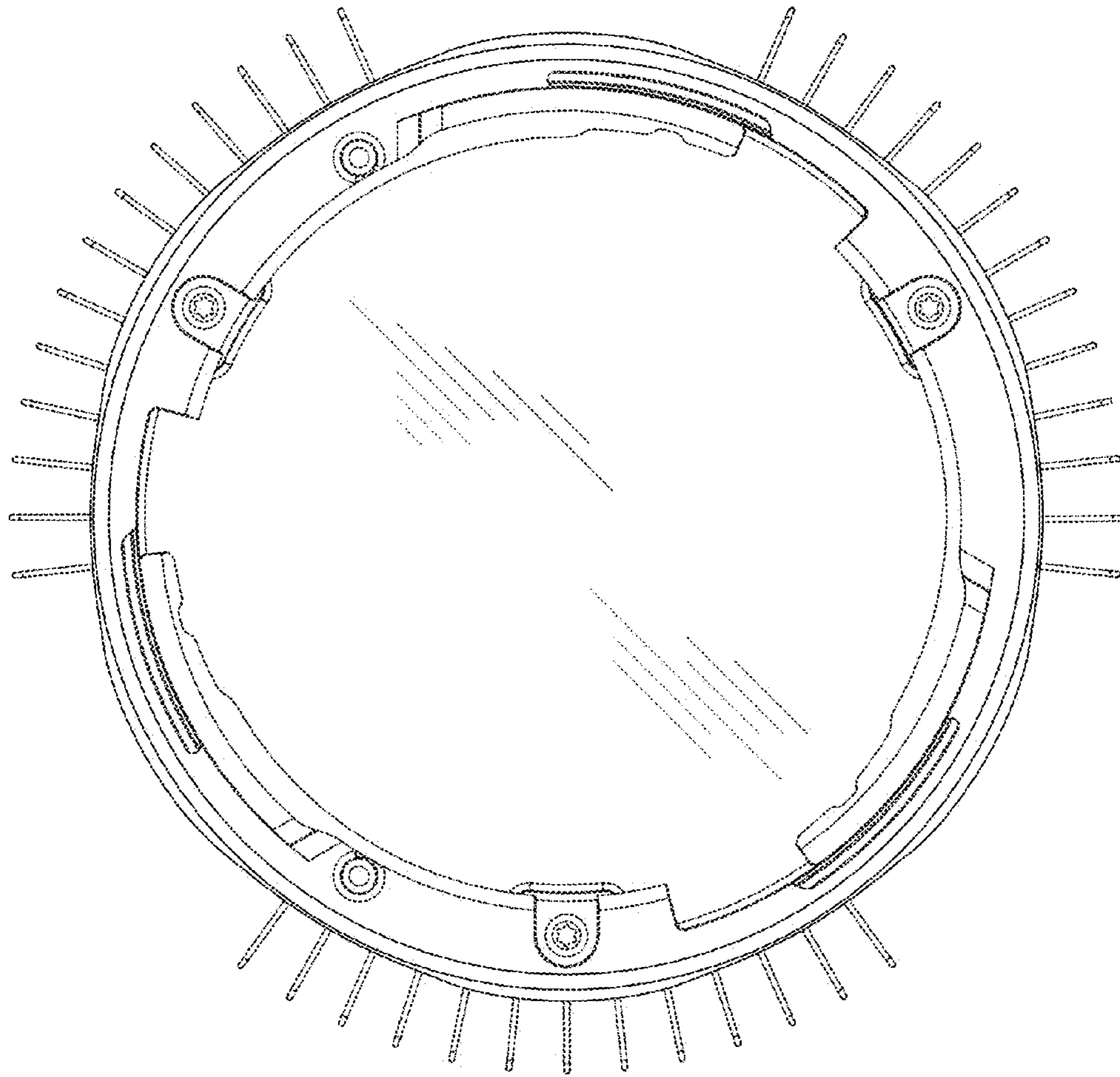


FIG. 11

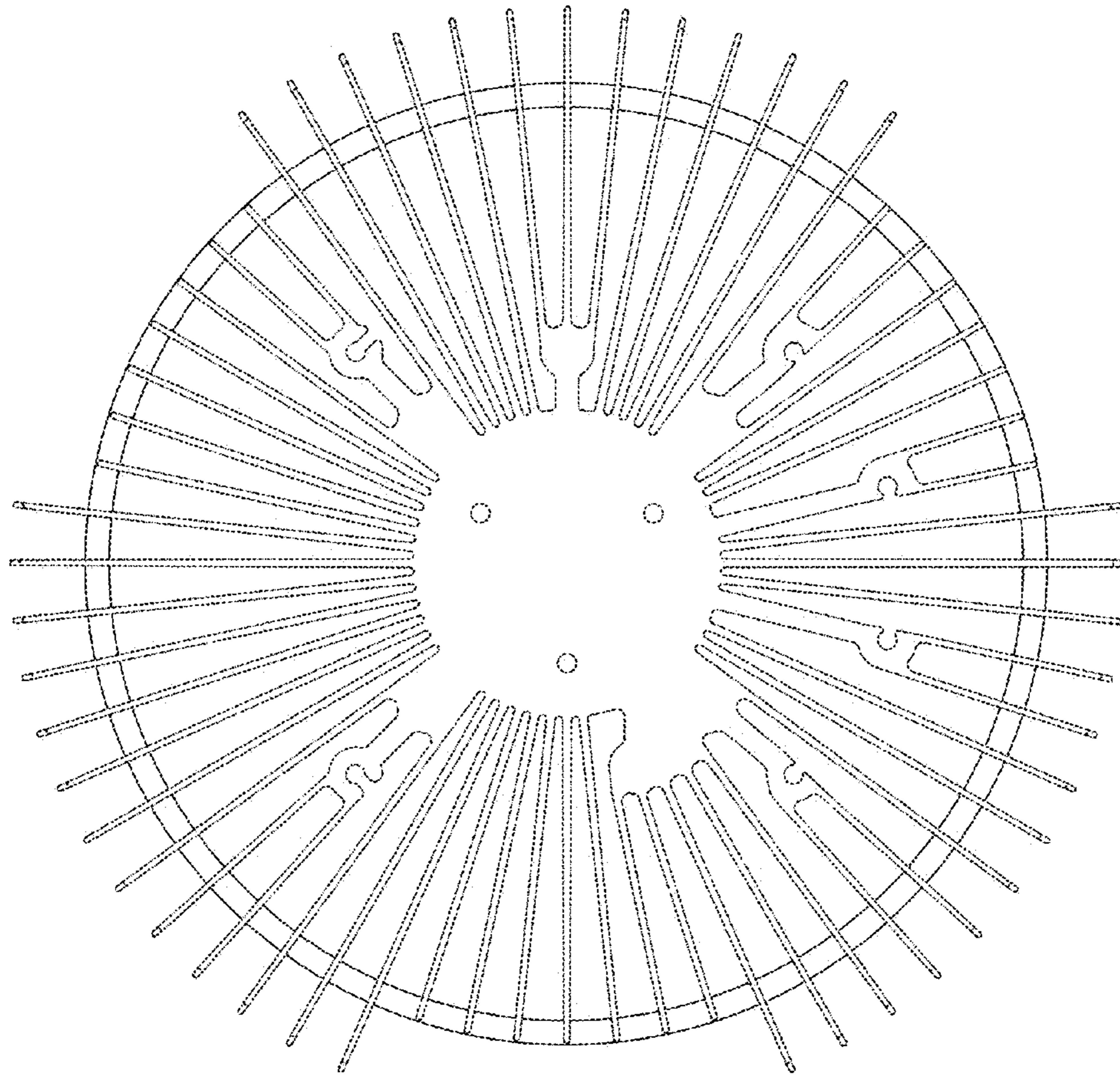


FIG. 12

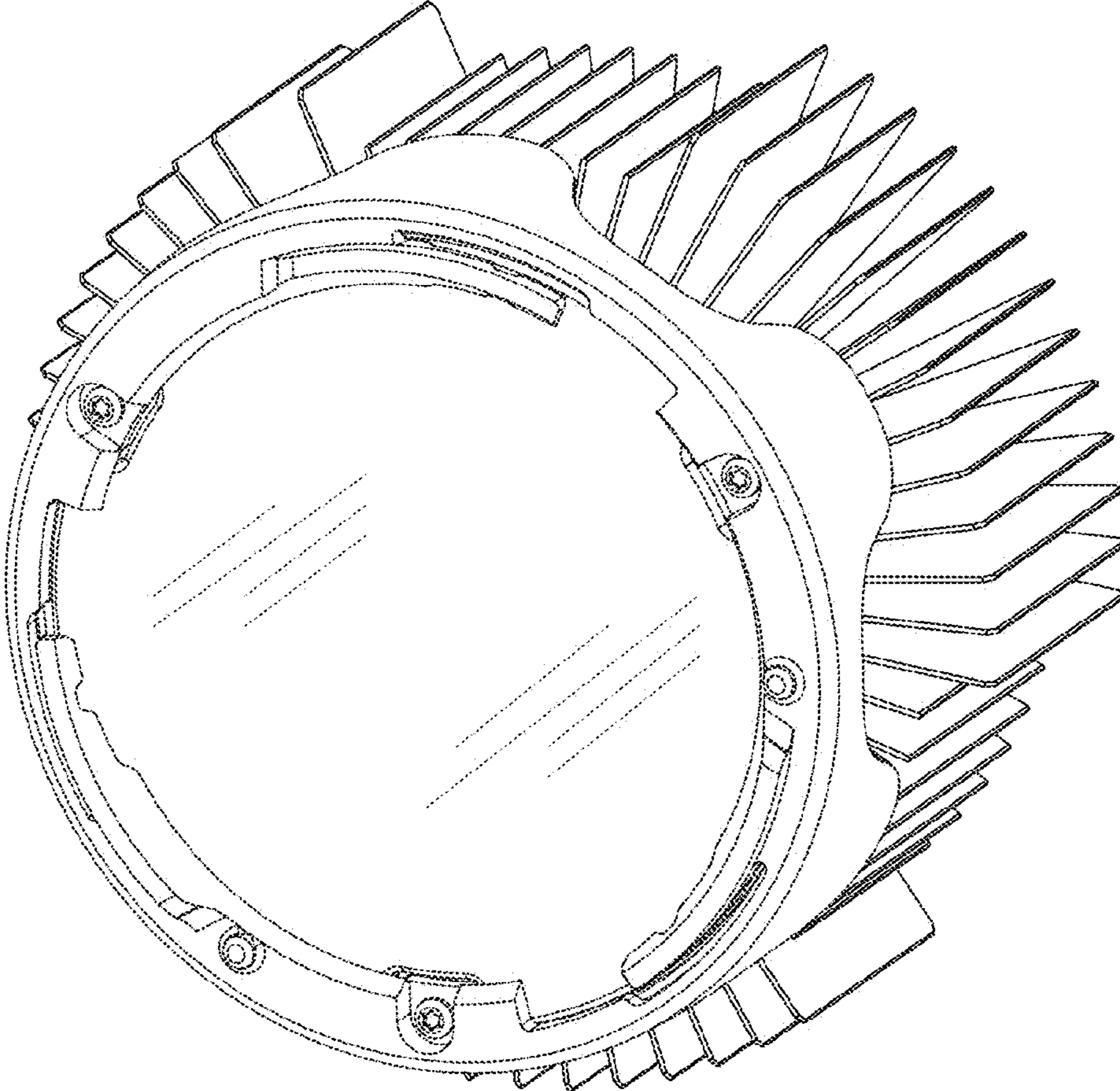


FIG. 13

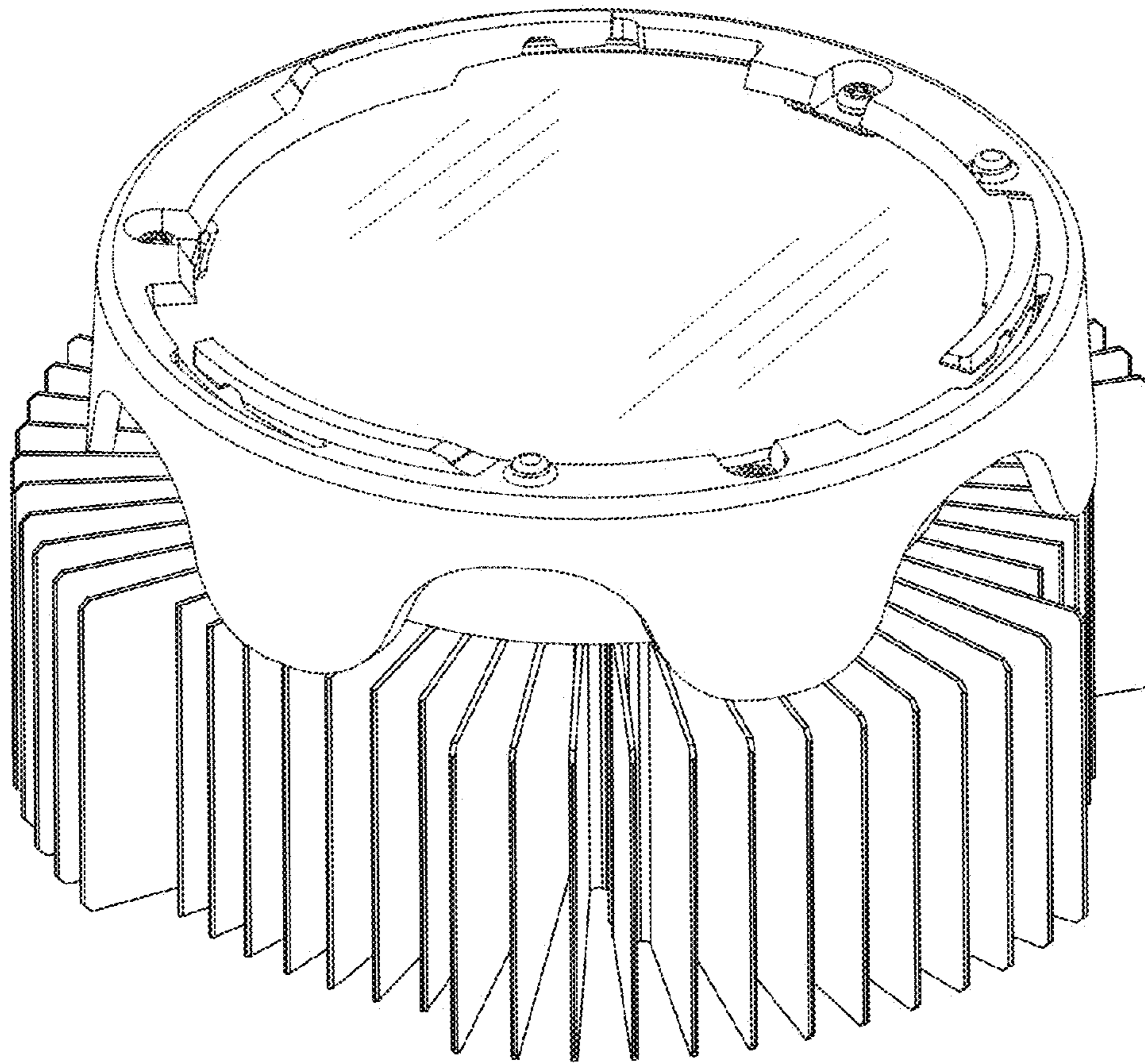


FIG. 14

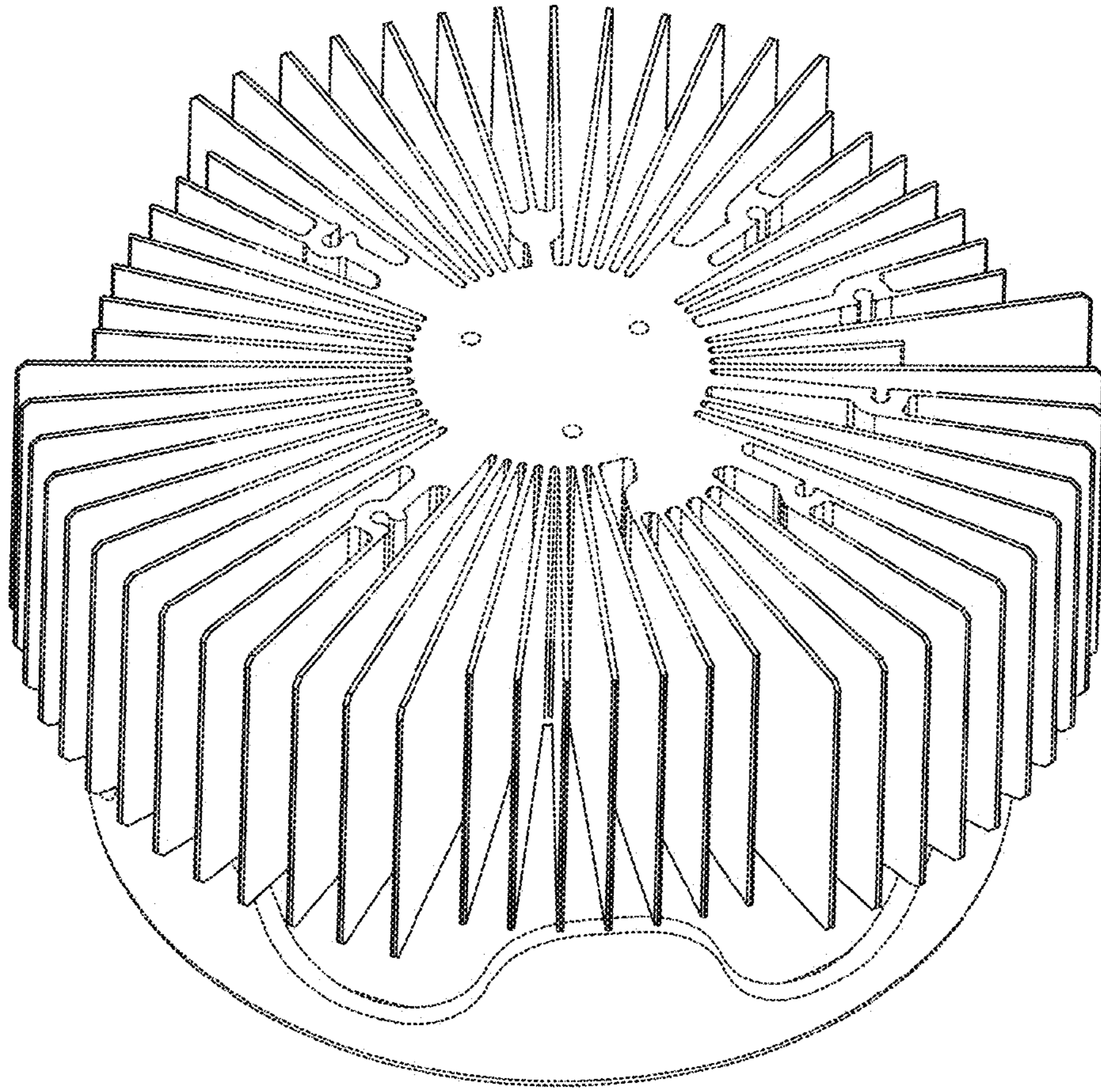


FIG. 15

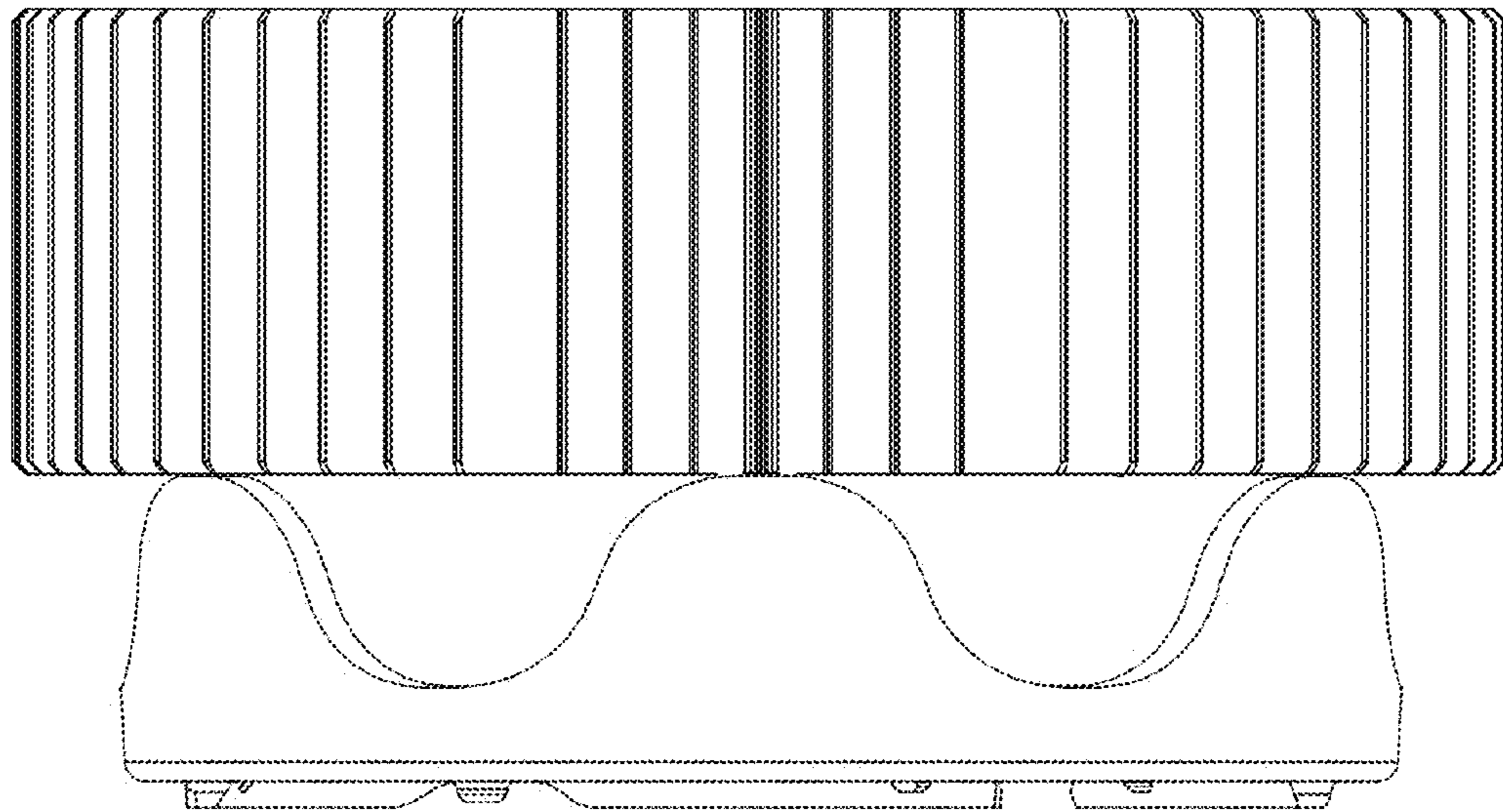


FIG. 16

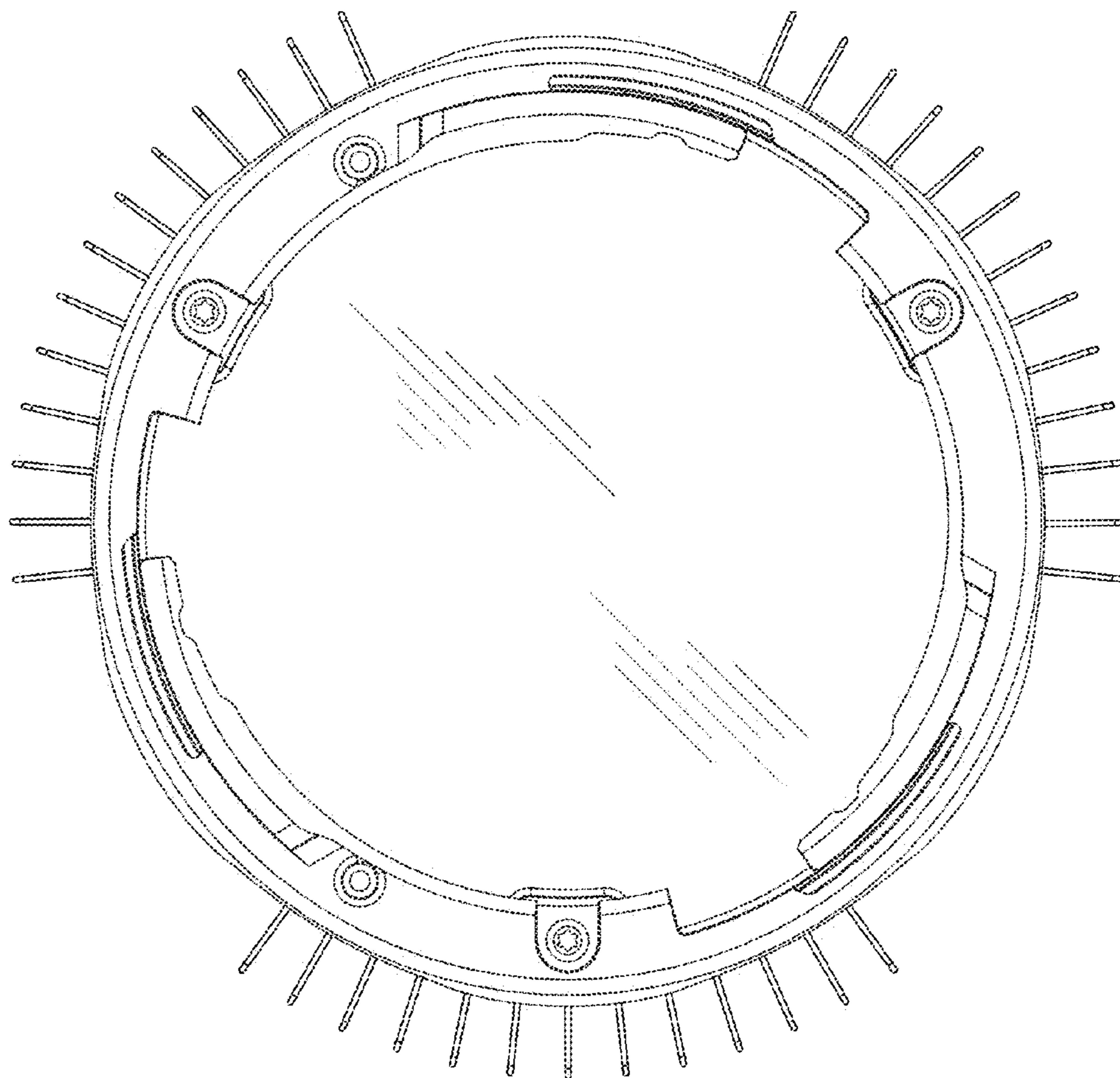


FIG. 17

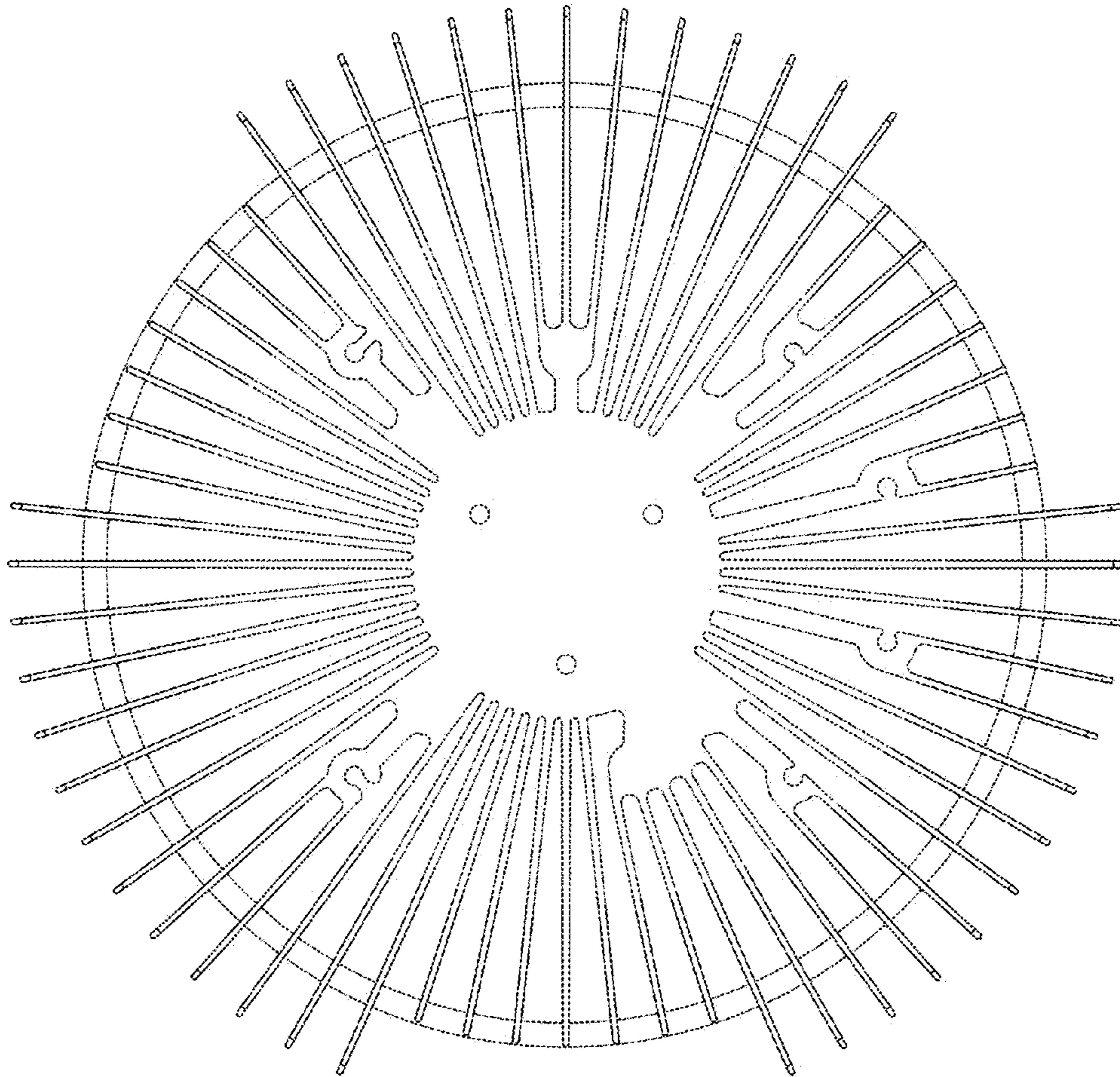


FIG. 18