



US00D683061S

(12) **United States Design Patent**  
**Ham**

(10) **Patent No.:** **US D683,061 S**

(45) **Date of Patent:** **\*\* May 21, 2013**

(54) **STREET LIGHT**

(75) **Inventor:** **Byung Il Ham**, Rancho Palos Verdes,  
CA (US)

(73) **Assignee:** **Byung Il & In Sook Ham, Trustees of  
the Ham Family**, Rancho Palos Verdes,  
CA (US)

(\*\*) **Term:** **14 Years**

(21) **Appl. No.:** **29/416,900**

(22) **Filed:** **Mar. 28, 2012**

**Related U.S. Application Data**

(63) Continuation-in-part of application No. 13/354,192,  
filed on Jan. 19, 2012.

(51) **LOC (9) Cl.** ..... **26-05**

(52) **U.S. Cl.**  
USPC ..... **D26/71**

(58) **Field of Classification Search** ..... D26/61,  
D26/63, 65, 67-71, 85, 92; 362/249.01-249.06,  
362/294, 373, 431

See application file for complete search history.

(56) **References Cited**

**U.S. PATENT DOCUMENTS**

D209,081 S \* 10/1967 Netland ..... D26/71  
D572,857 S \* 7/2008 Kauffman et al. .... D26/71

D603,077 S \* 10/2009 Kinnune et al. .... D26/71  
7,695,163 B2 \* 4/2010 Yamada et al. .... 362/294  
D624,685 S \* 9/2010 Ham et al. .... D26/71  
D632,819 S \* 2/2011 Kong et al. .... D26/71  
D637,336 S \* 5/2011 Van Klinken et al. .... D26/71  
D646,420 S \* 10/2011 Chen et al. .... D26/71  
D648,473 S \* 11/2011 Lin et al. .... D26/71  
D648,884 S \* 11/2011 Tortel ..... D26/71  
D650,110 S \* 12/2011 Zhu ..... D26/71  
D653,374 S \* 1/2012 Ham ..... D26/71  
D663,462 S \* 7/2012 Butler et al. .... D26/71

\* cited by examiner

*Primary Examiner* — Clare E Heflin

(74) *Attorney, Agent, or Firm* — Cisló & Thomas, LLP

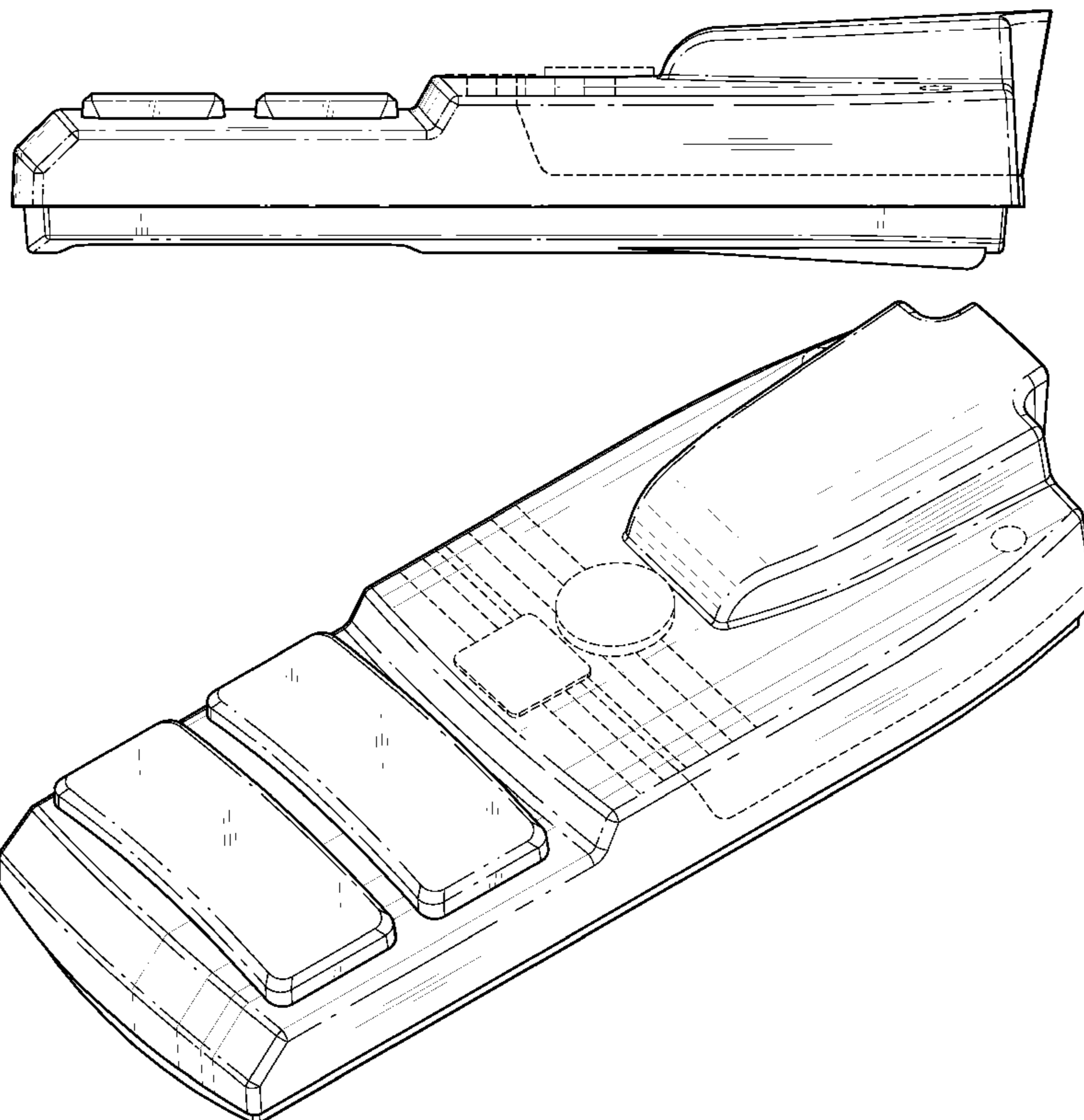
(57) **CLAIM**

I claim the ornamental design for a street light, as shown and  
described.

**DESCRIPTION**

FIG. 1 is a top plan view of the street light;  
FIG. 2 is a right side elevation view thereof;  
FIG. 3 is a bottom plan view thereof;  
FIG. 4 is a front elevation view thereof;  
FIG. 5 is a rear elevation view of thereof; and,  
FIG. 6 is a perspective view thereof.  
The broken lines are for environmental purposes only and  
form no part of the claimed design.

**1 Claim, 6 Drawing Sheets**



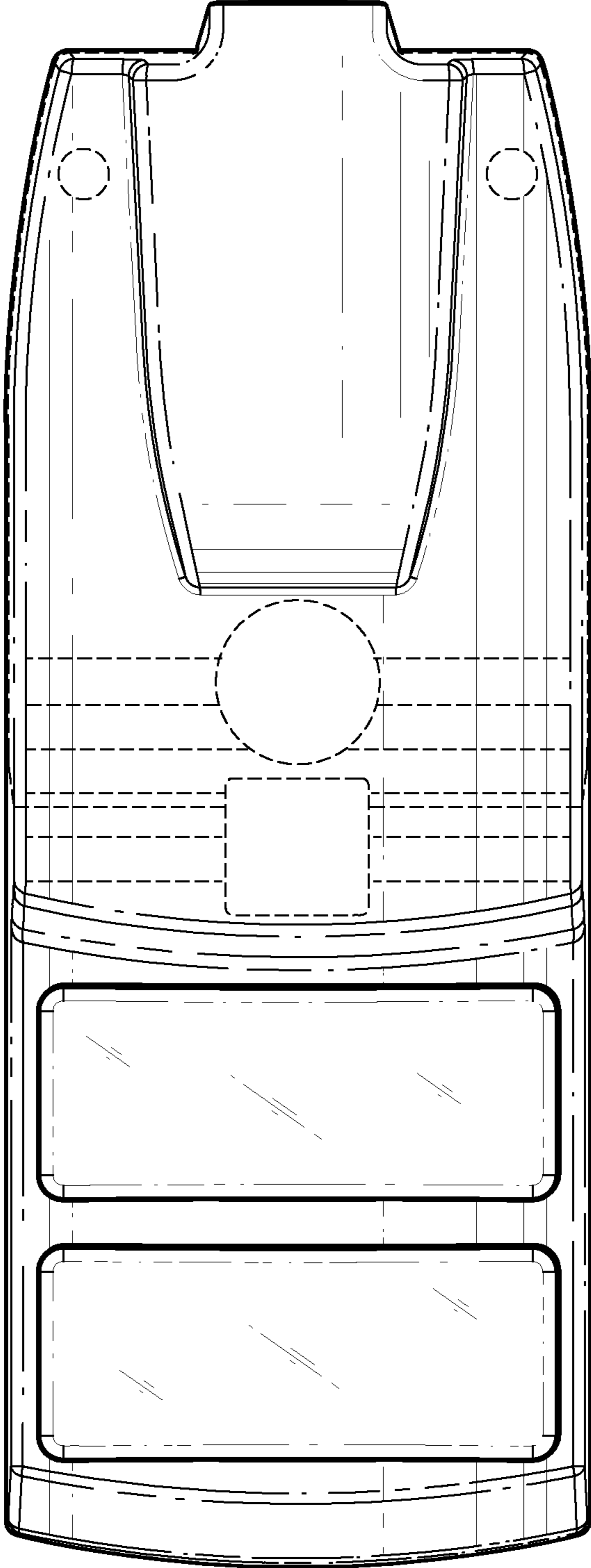


FIG. 1

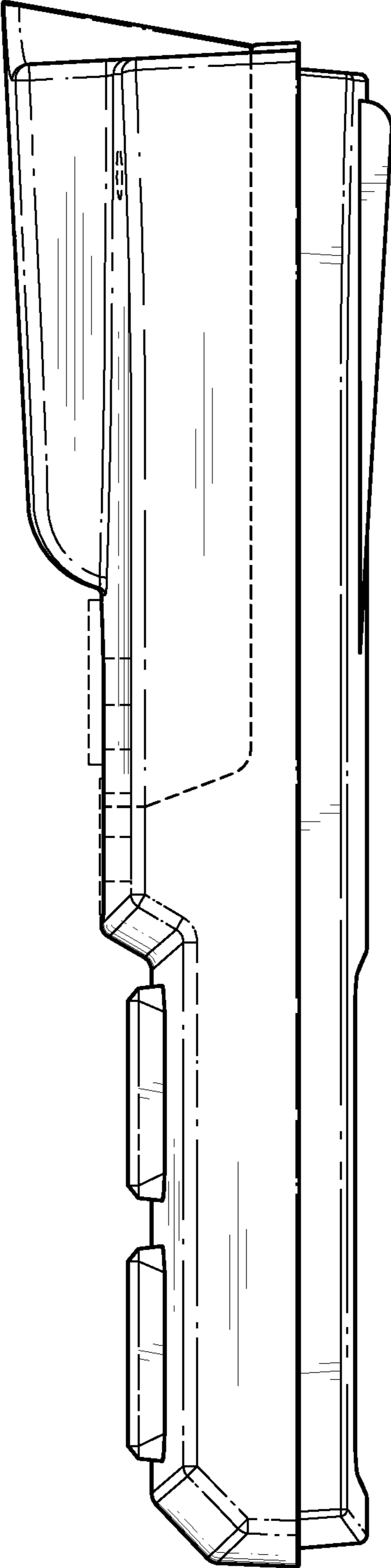


FIG. 2

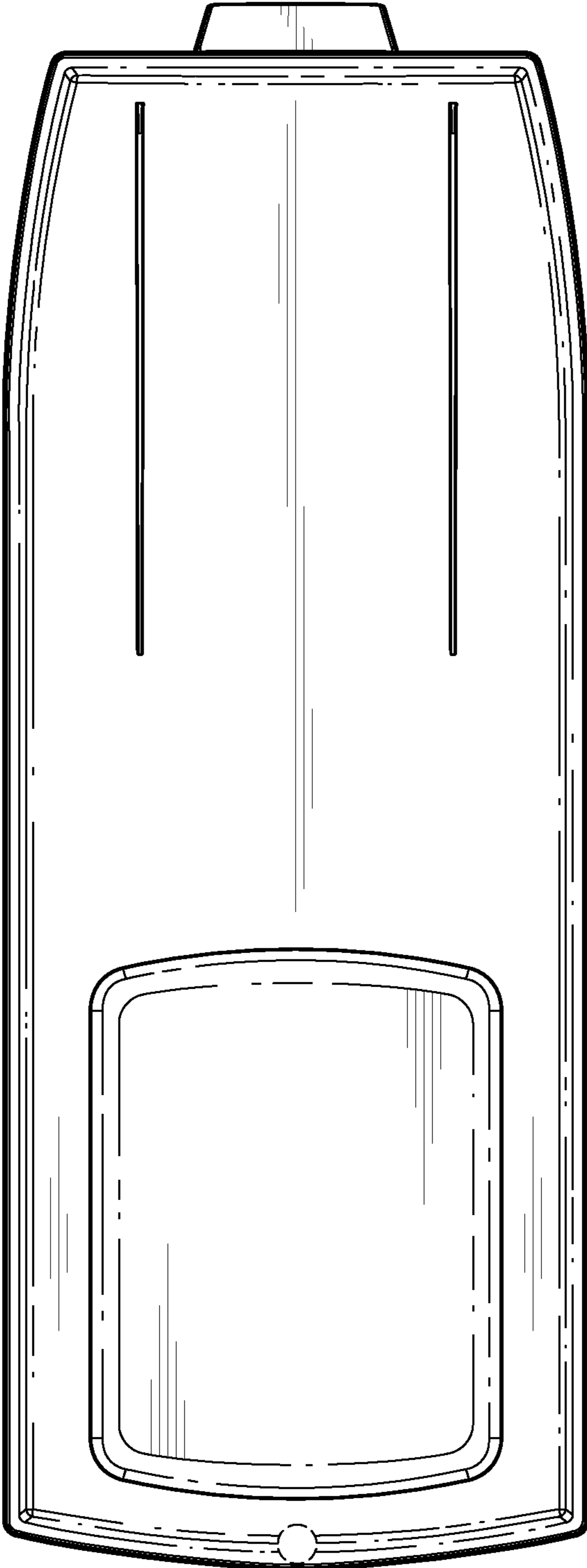
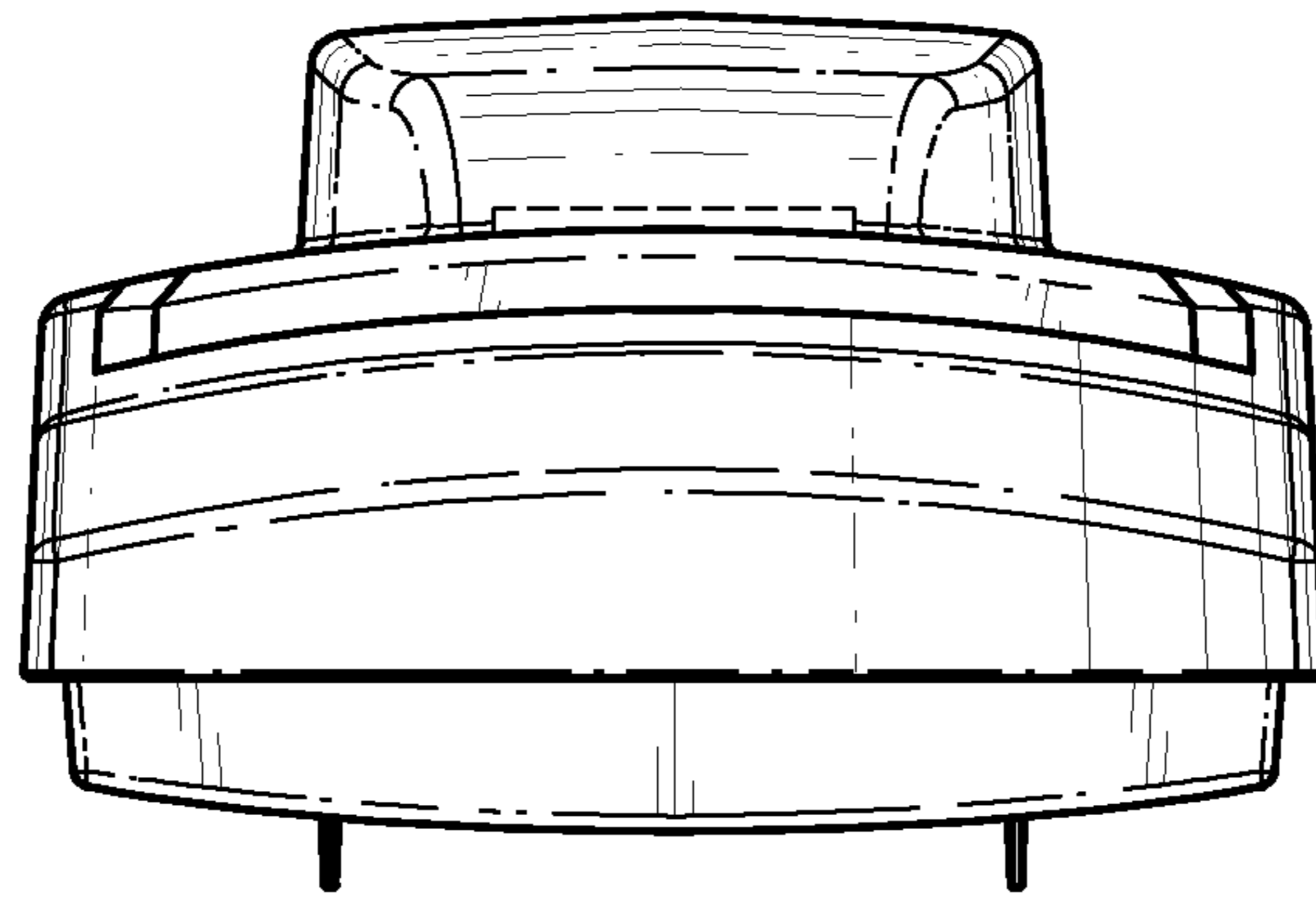
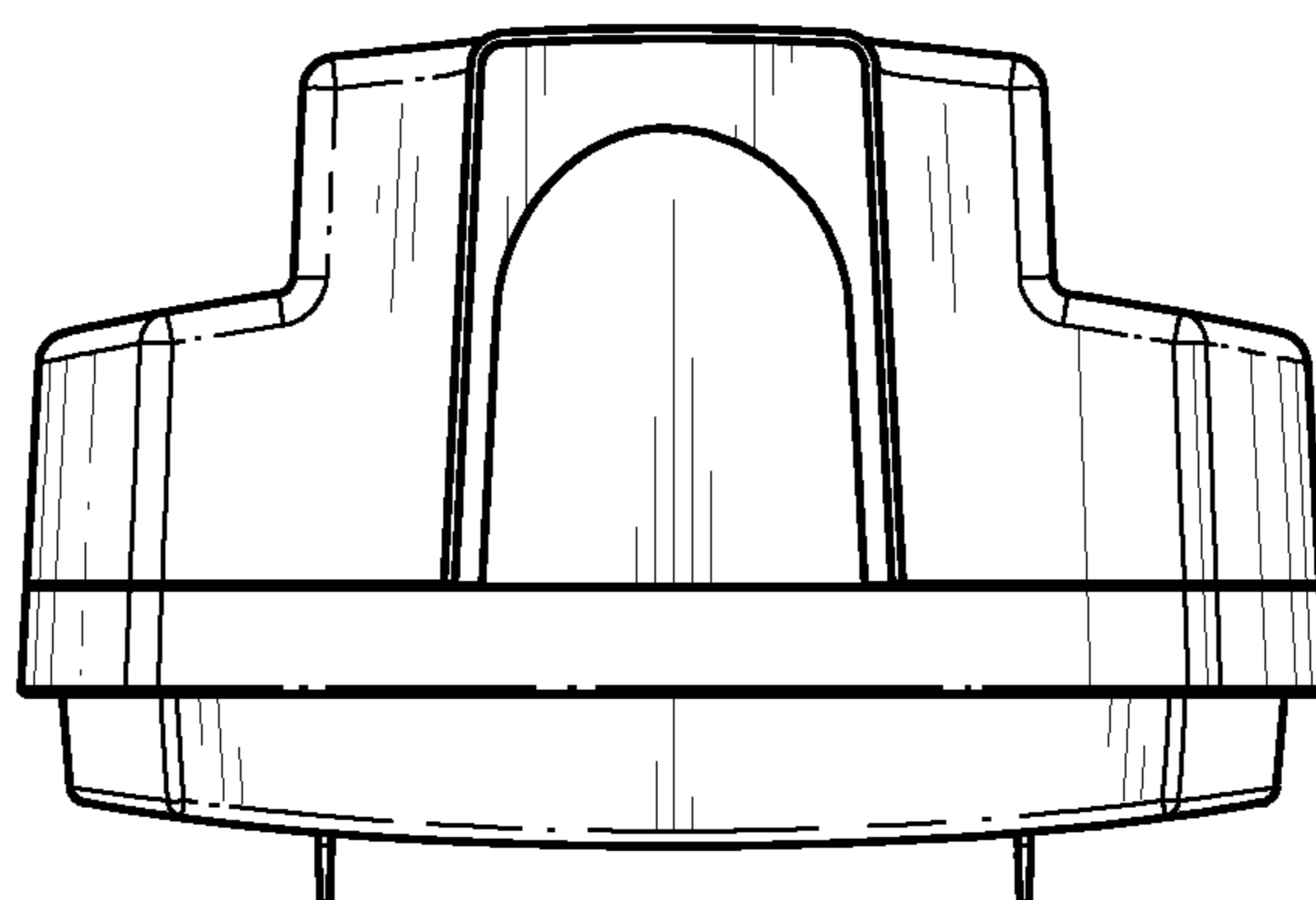


FIG. 3



*FIG. 4*



*FIG. 5*

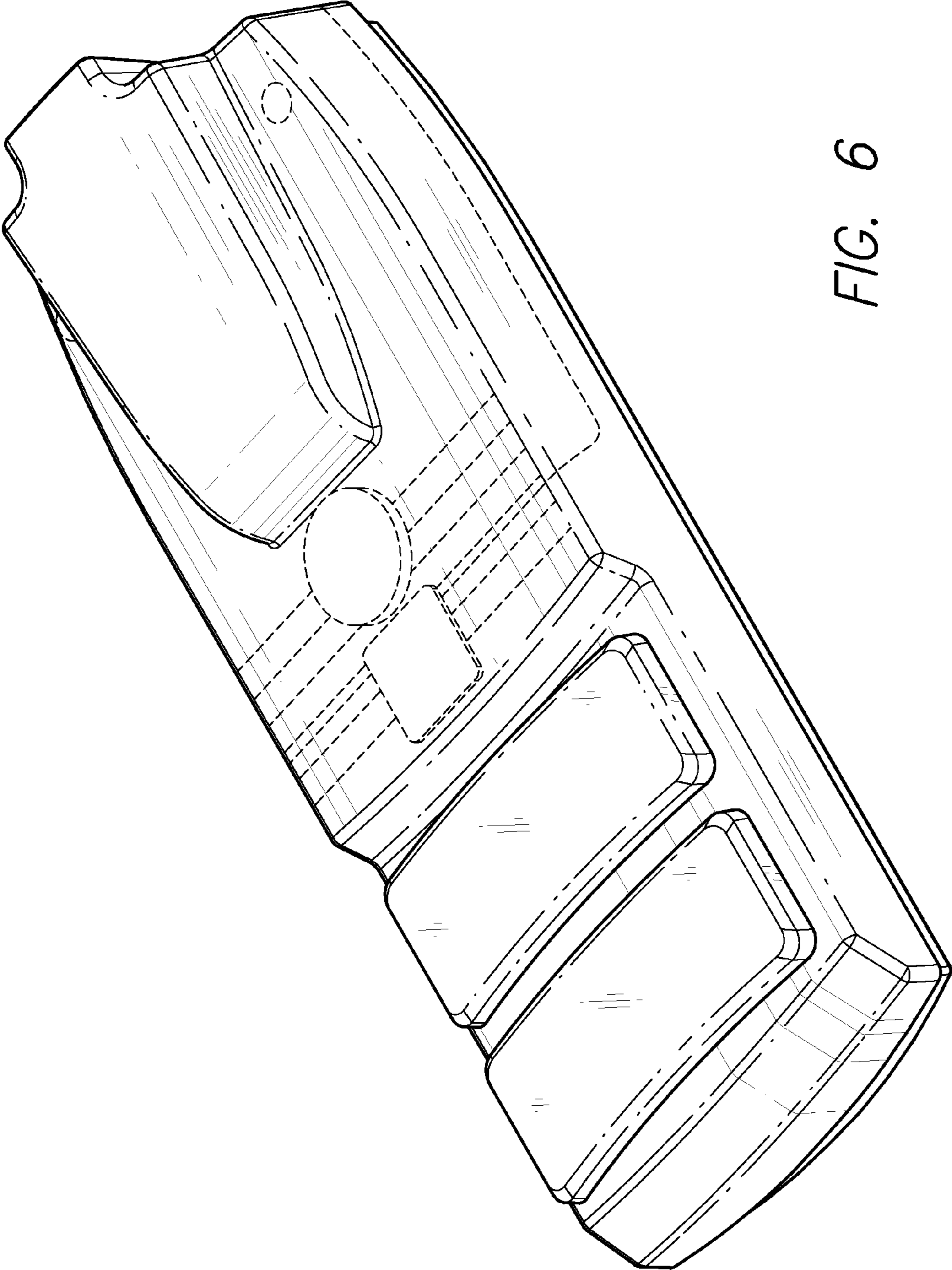


FIG. 6