



US00D683060S

(12) **United States Design Patent**
Jo

(10) **Patent No.:** **US D683,060 S**

(45) **Date of Patent:** **** May 21, 2013**

(54) **FLOODLIGHT**

(75) Inventor: **Byung Soo Jo**, Gwangju (KR)

(73) Assignee: **Open Technology Co., Ltd**, Gwangju (KR)

(**) Term: **14 Years**

(21) Appl. No.: **29/405,519**

(22) Filed: **Nov. 3, 2011**

(30) **Foreign Application Priority Data**

Sep. 27, 2011 (KR) 30-2011-0040076

(51) **LOC (9) Cl.** **26-05**

(52) **U.S. Cl.**
USPC **D26/71**

(58) **Field of Classification Search** D26/71-92;
362/249.01-249.06, 294, 373, 431
See application file for complete search history.

(56) **References Cited**

U.S. PATENT DOCUMENTS

D228,667 S *	10/1973	Anderson, Jr.	D26/71
D422,739 S *	4/2000	Lin	D26/87
D437,958 S *	2/2001	Doron et al.	D26/71
D447,590 S *	9/2001	Raouf et al.	D26/71
D543,306 S *	5/2007	Volkens	D26/71
D567,989 S *	4/2008	Goetz-Schaefer	D26/89
D574,548 S *	8/2008	Wilcox et al.	D26/89

D576,330 S *	9/2008	Ruud et al.	D26/71
D576,331 S *	9/2008	Ruud et al.	D26/71
7,637,642 B2 *	12/2009	Kinnune et al.	362/368
D607,593 S *	1/2010	Yoo	D26/71
D616,592 S *	5/2010	Chen	D26/71
D645,190 S *	9/2011	Van Klinken et al.	D26/71

* cited by examiner

Primary Examiner — Clare E Heflin

(74) *Attorney, Agent, or Firm* — The PL Law Group, PLLC

(57) **CLAIM**

The ornamental design for a floodlight, as shown and described.

DESCRIPTION

FIG. 1 is a front perspective view of a floodlight showing my new design;
FIG. 2 is a front view thereof;
FIG. 3 is a rear view thereof;
FIG. 4 is a left side view thereof;
FIG. 5 is a right side view thereof;
FIG. 6 is a top plan view thereof;
FIG. 7 is a bottom plan view thereof; and,
FIG. 8 is a perspective view of a floodlight supported by a supporting member.
The broken lines shown on the drawings depict environment only and form no part of the claimed design.

1 Claim, 4 Drawing Sheets

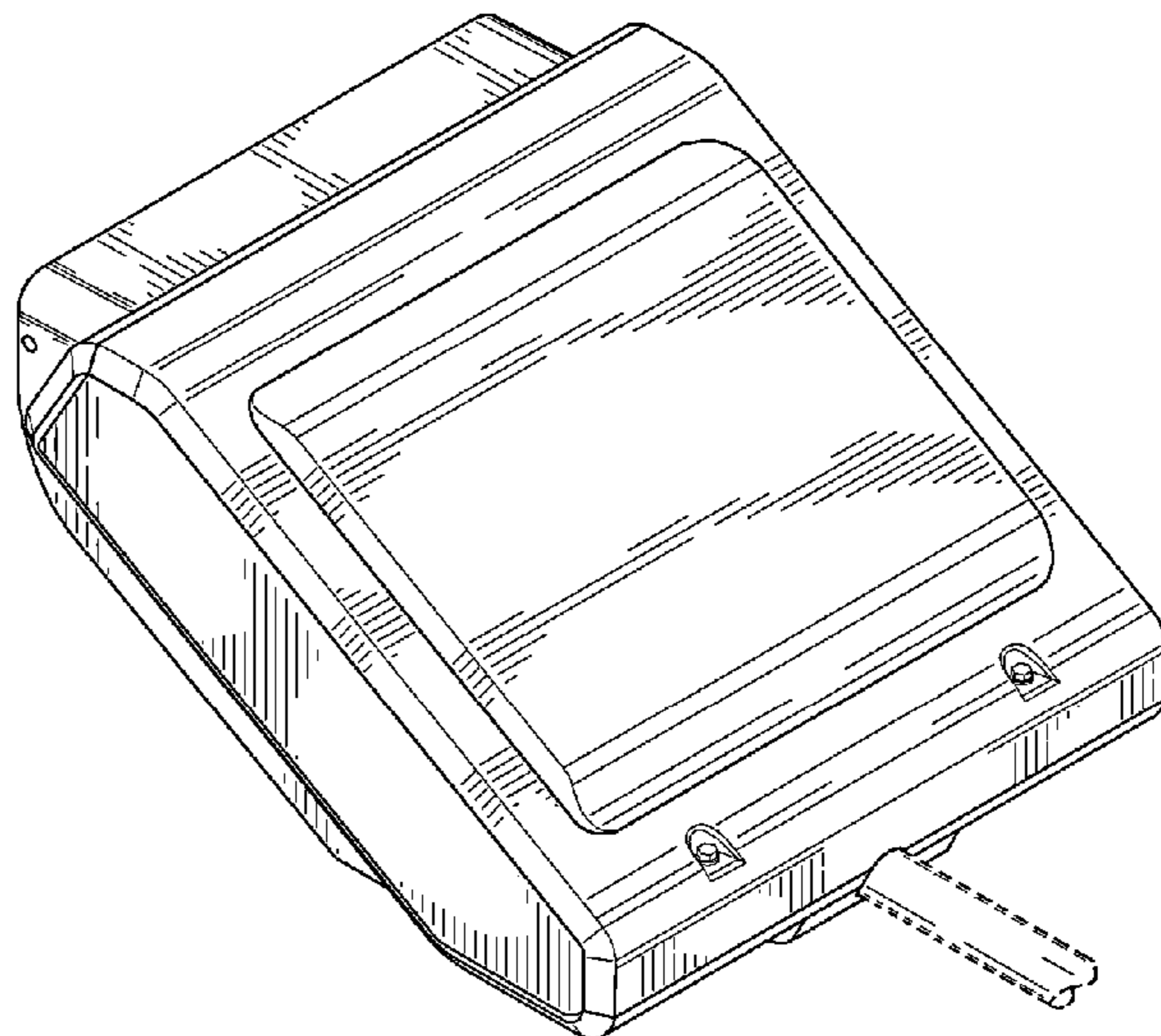
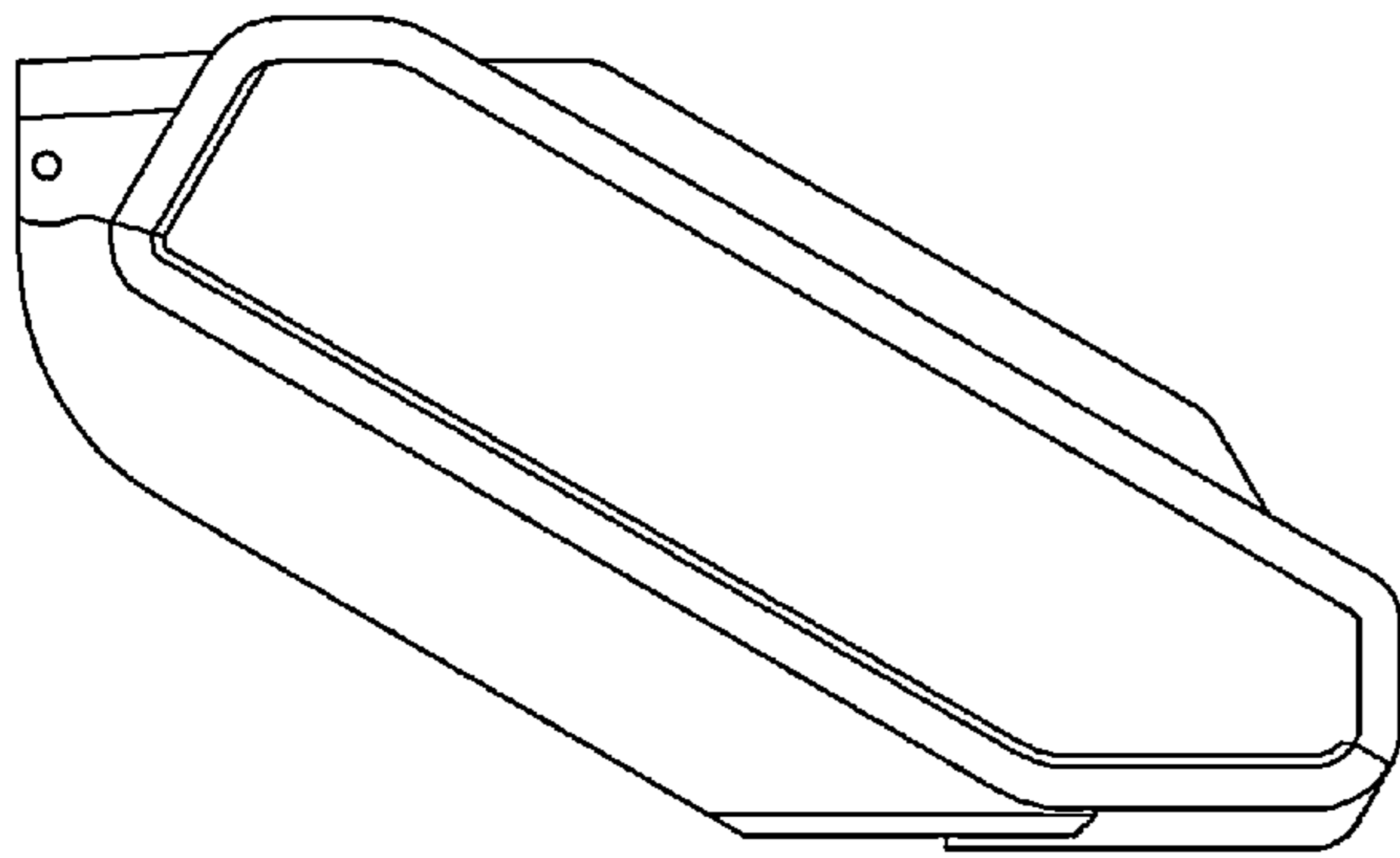


FIG. 1

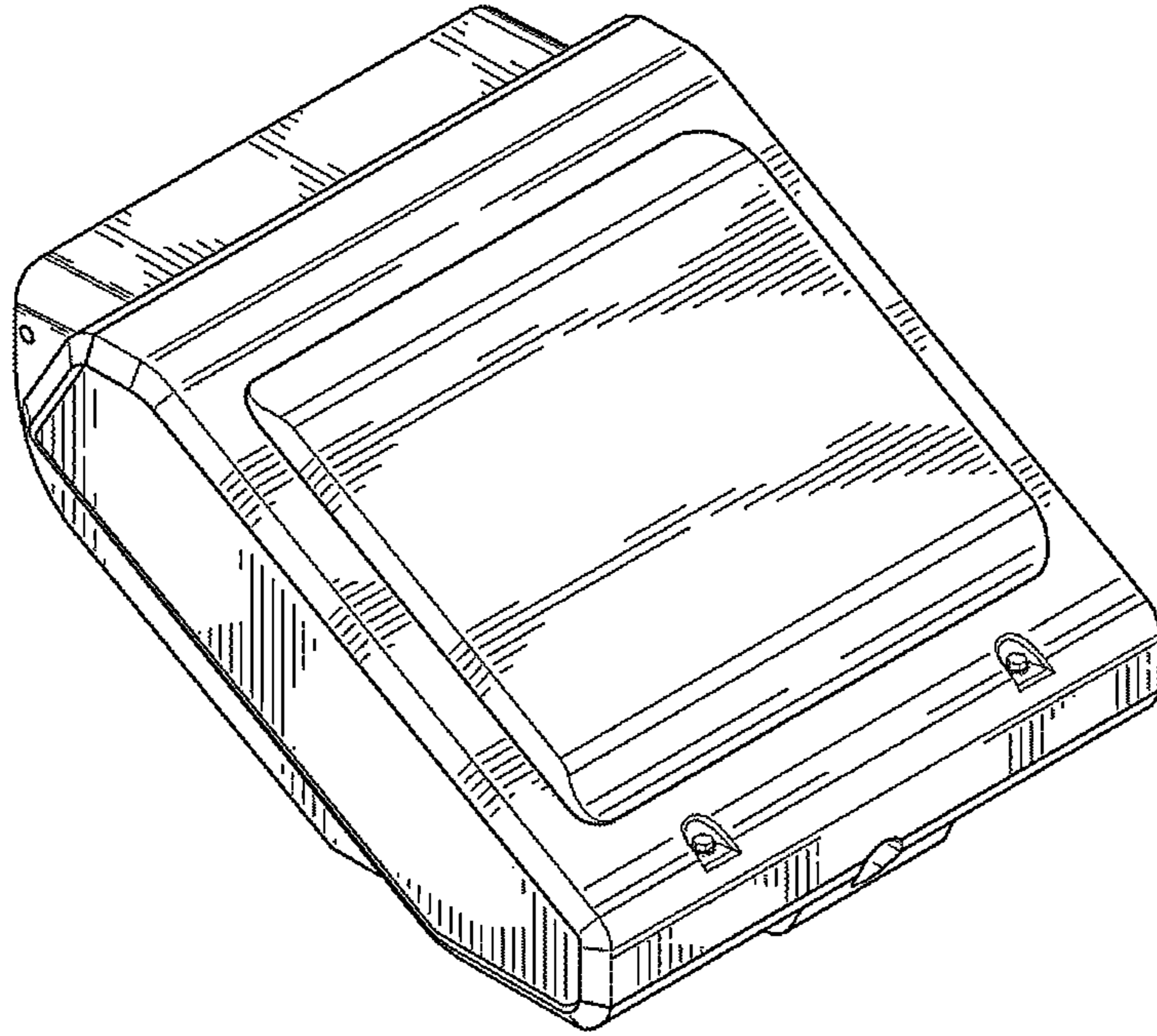


FIG. 2

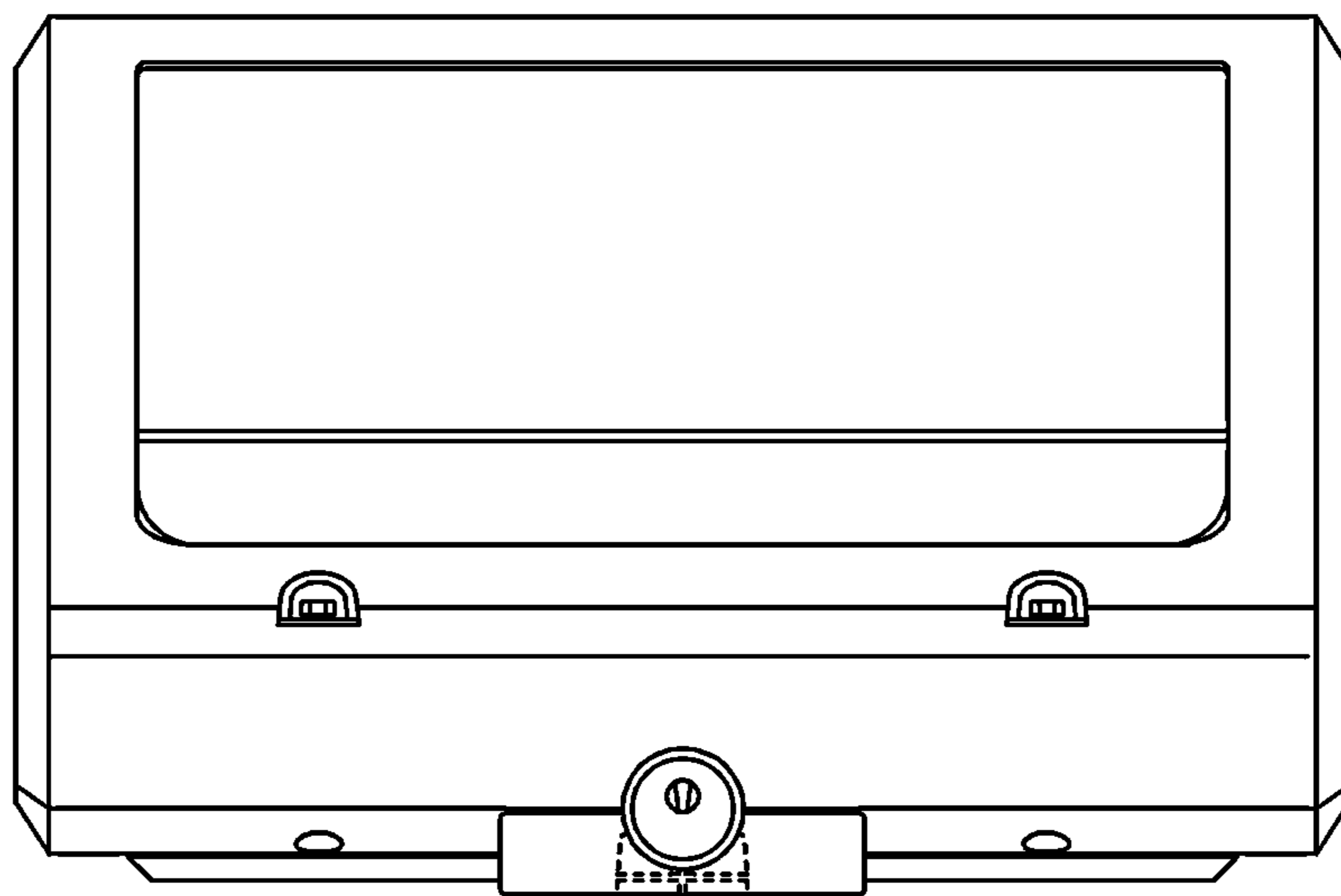


FIG. 3

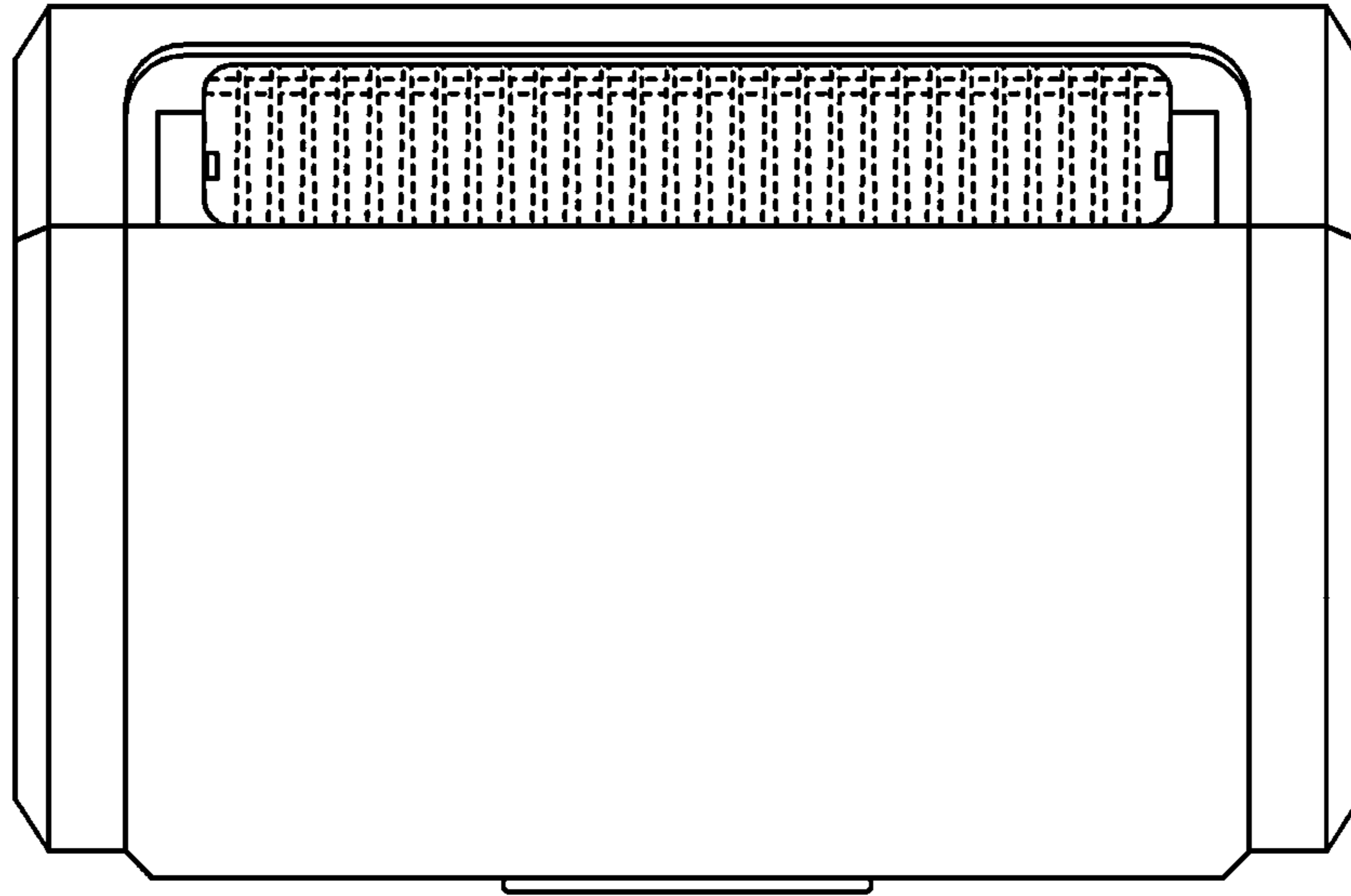


FIG. 4

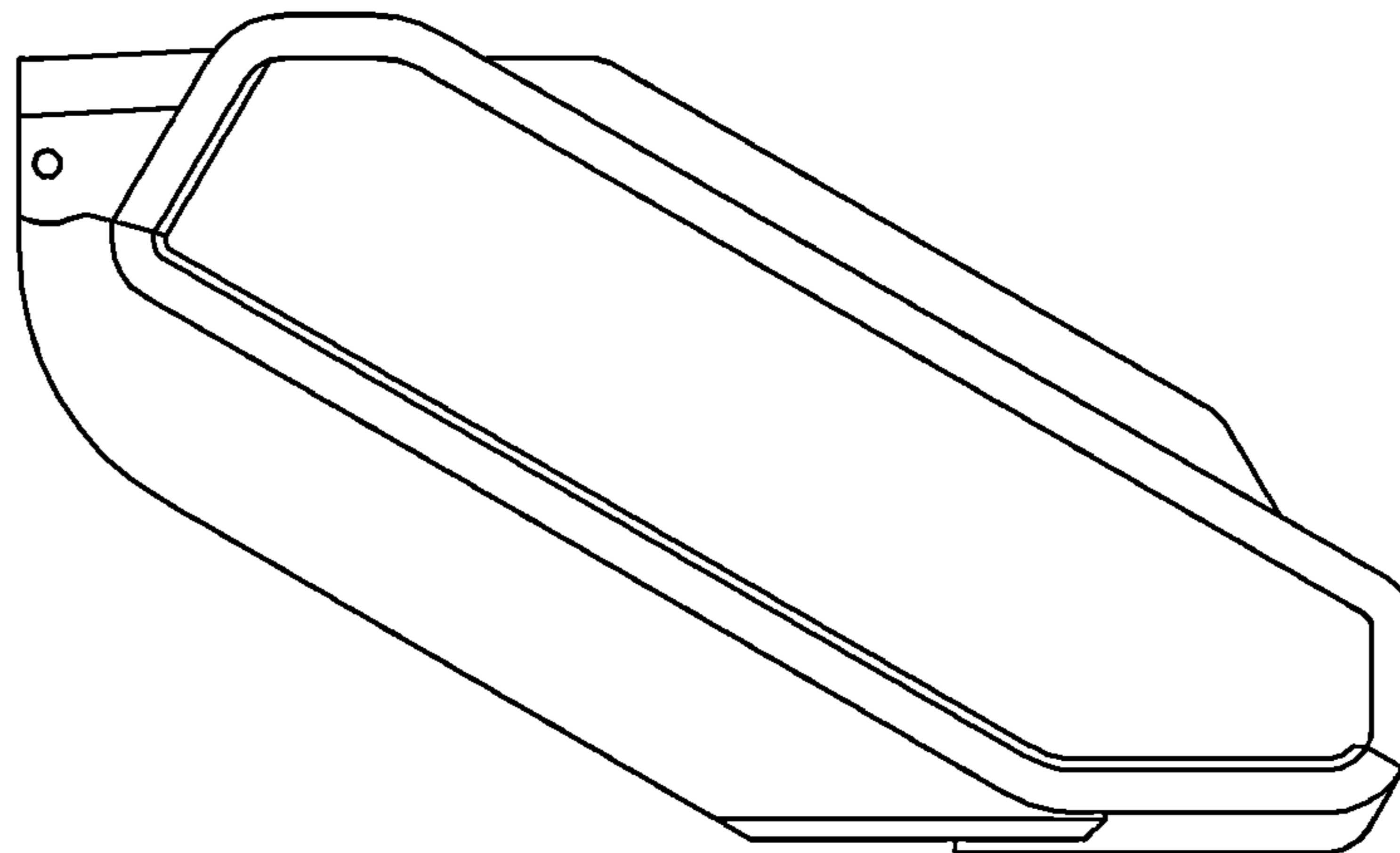


FIG. 5

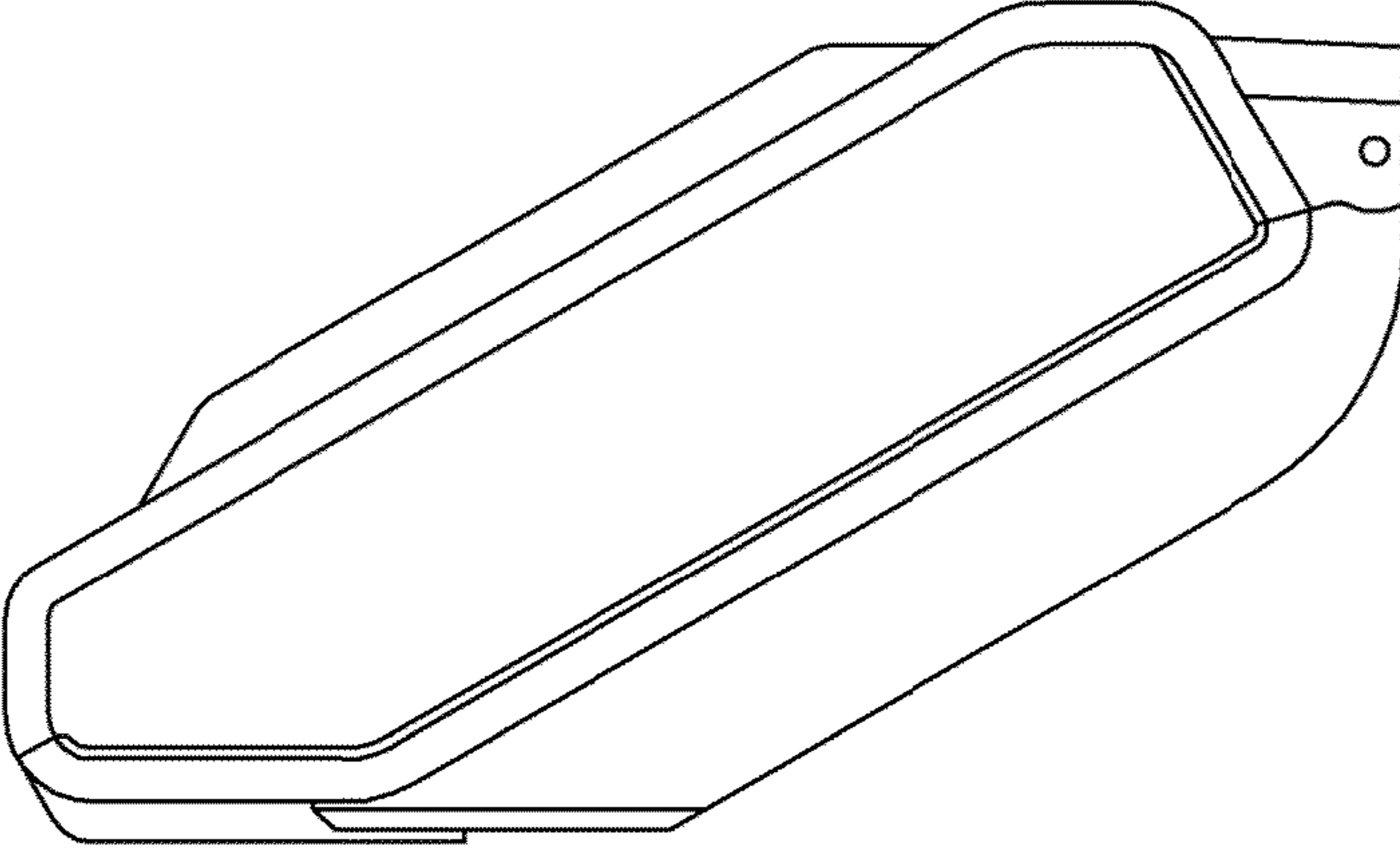


FIG. 6

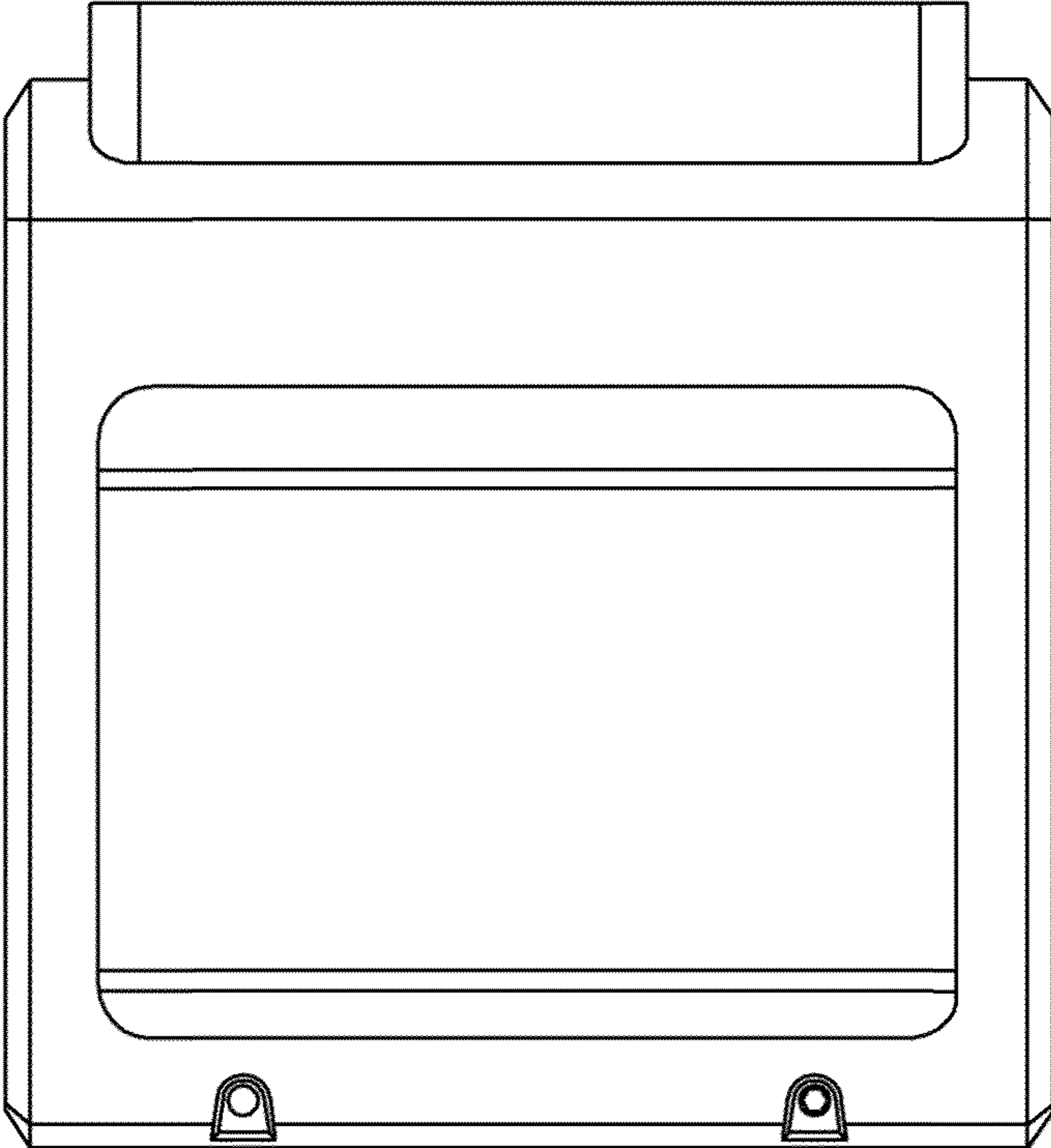


FIG. 7

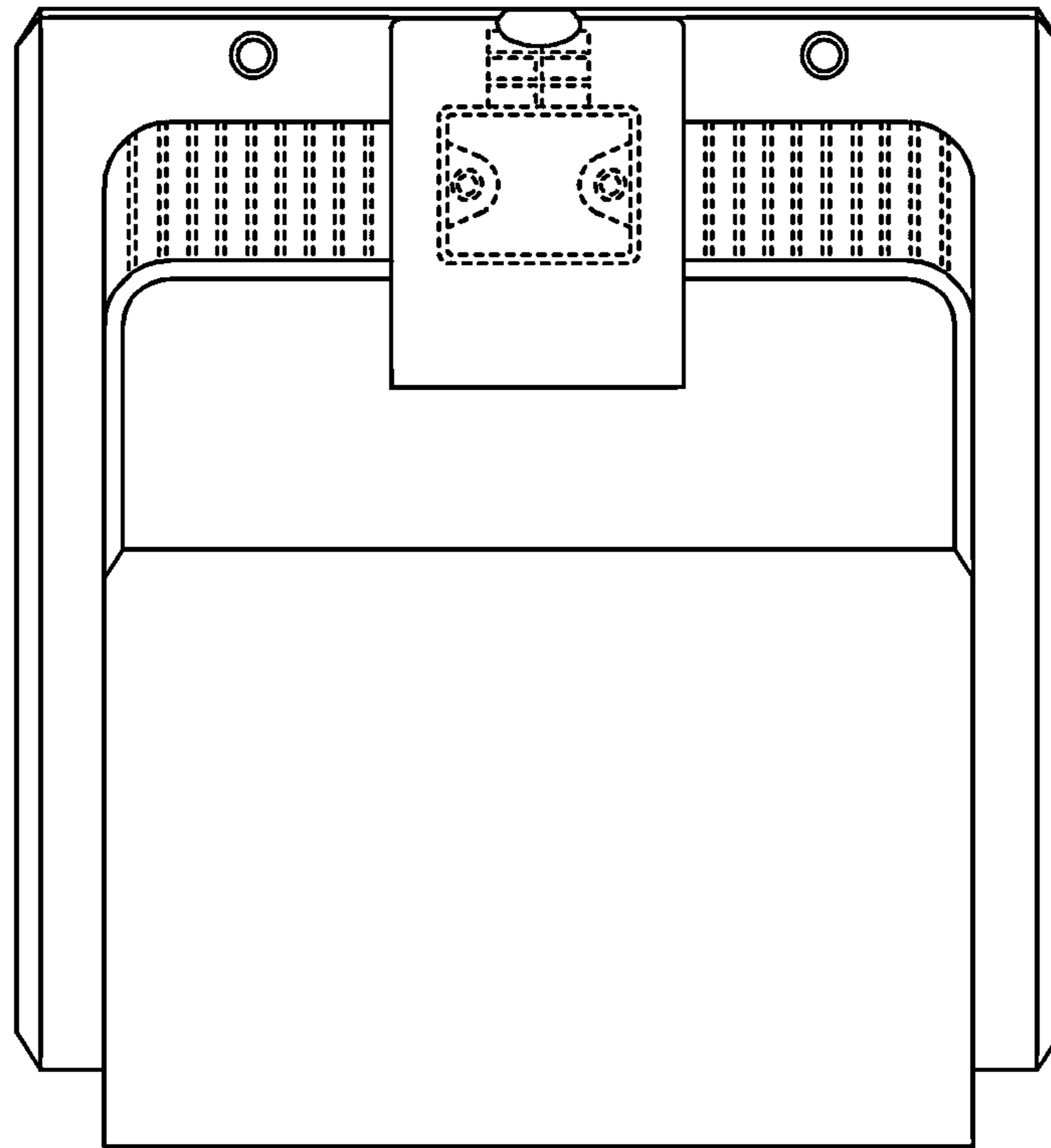


FIG. 8

