



US00D683058S

(12) **United States Design Patent**
Cogswell

(10) **Patent No.:** **US D683,058 S**

(45) **Date of Patent:** **** May 21, 2013**

(54) **REAR COMBINATION LAMP FOR AN
AUTOMOBILE**

D553,268 S * 10/2007 Pfeiffer D26/28
D565,211 S * 3/2008 Haller et al. D26/28
D602,616 S * 10/2009 Okamura et al. D26/28
D605,793 S * 12/2009 Weil D26/28

(75) Inventor: **Marc Cogswell**, San Diego, CA (US)

* cited by examiner

(73) Assignee: **Nissan Jidosha Kabushiki Kaisha**,
Kanagawa (JP)

Primary Examiner — Marcus Jackson

(**) Term: **14 Years**

(74) *Attorney, Agent, or Firm* — Fross Zelnick Lehrman &
Zissu, P.C.; Charles T. J. Weigell, Esq.

(21) Appl. No.: **29/414,290**

(22) Filed: **Feb. 27, 2012**

(57) **CLAIM**

The ornamental design for a rear combination lamp for an
automobile, as shown and described.

(30) **Foreign Application Priority Data**

DESCRIPTION

Dec. 21, 2011 (JP) 2011-029577

(51) **LOC (9) Cl.** **26-06**

(52) **U.S. Cl.**
USPC **D26/28**

(58) **Field of Classification Search** D26/28-36;
362/459-468, 475-478, 485-487

See application file for complete search history.

FIG. 1 is a perspective view of a rear combination lamp for an
automobile showing my new design;
FIG. 2 is a front view thereof;
FIG. 3 is a left side view thereof; and,
FIG. 4 is a top view thereof.

The features illustrated in very dark shading are not in view
during the ordinary use and operation of the article and there-
fore are not part of the design claimed. Rear view, Bottom
view and Right side view form no part of the claimed portion
of the design.

(56) **References Cited**

U.S. PATENT DOCUMENTS

D550,380 S * 9/2007 Lin D26/28
D552,769 S * 10/2007 Leclercq D26/28

1 Claim, 2 Drawing Sheets



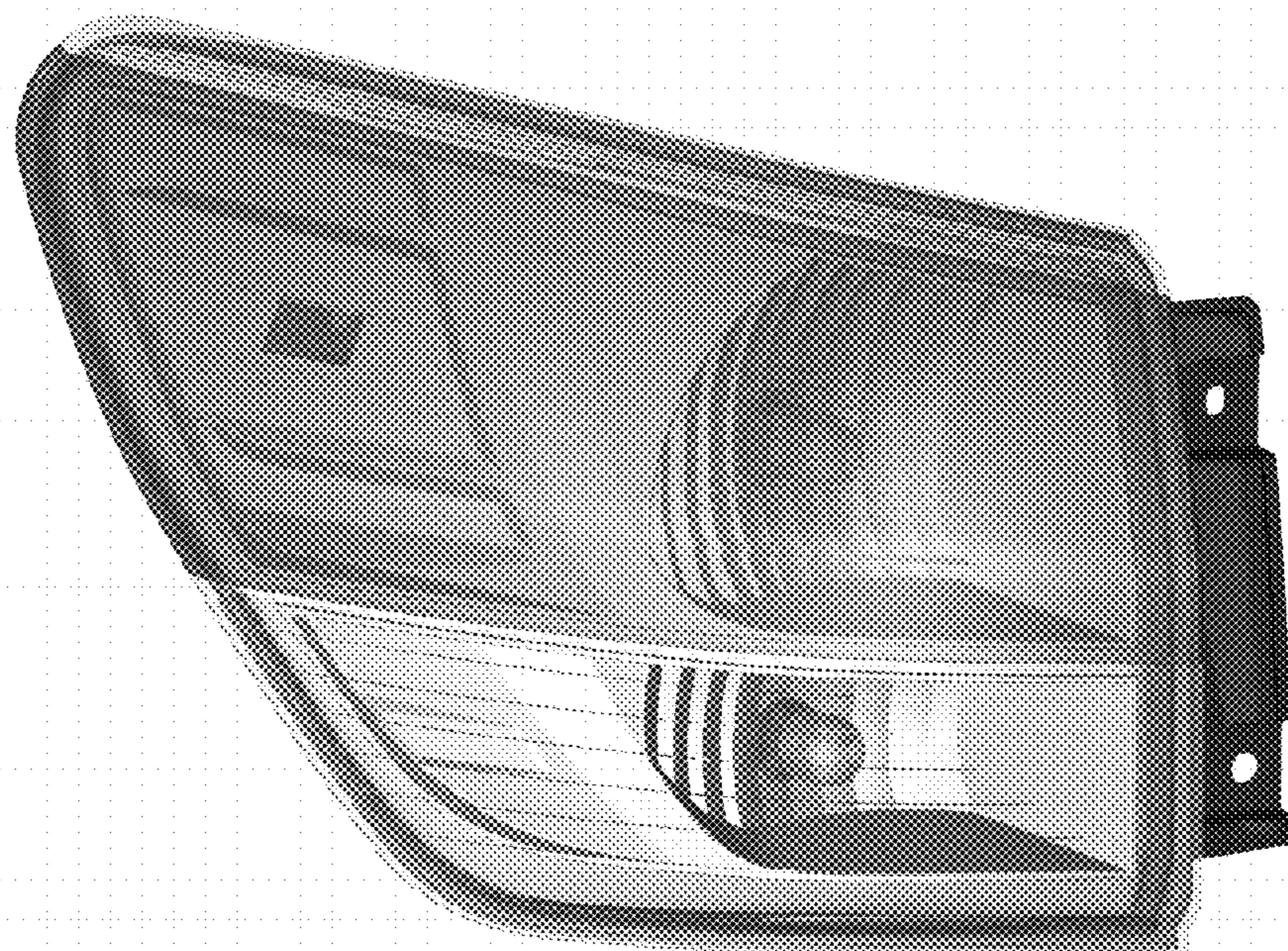


FIG. 1

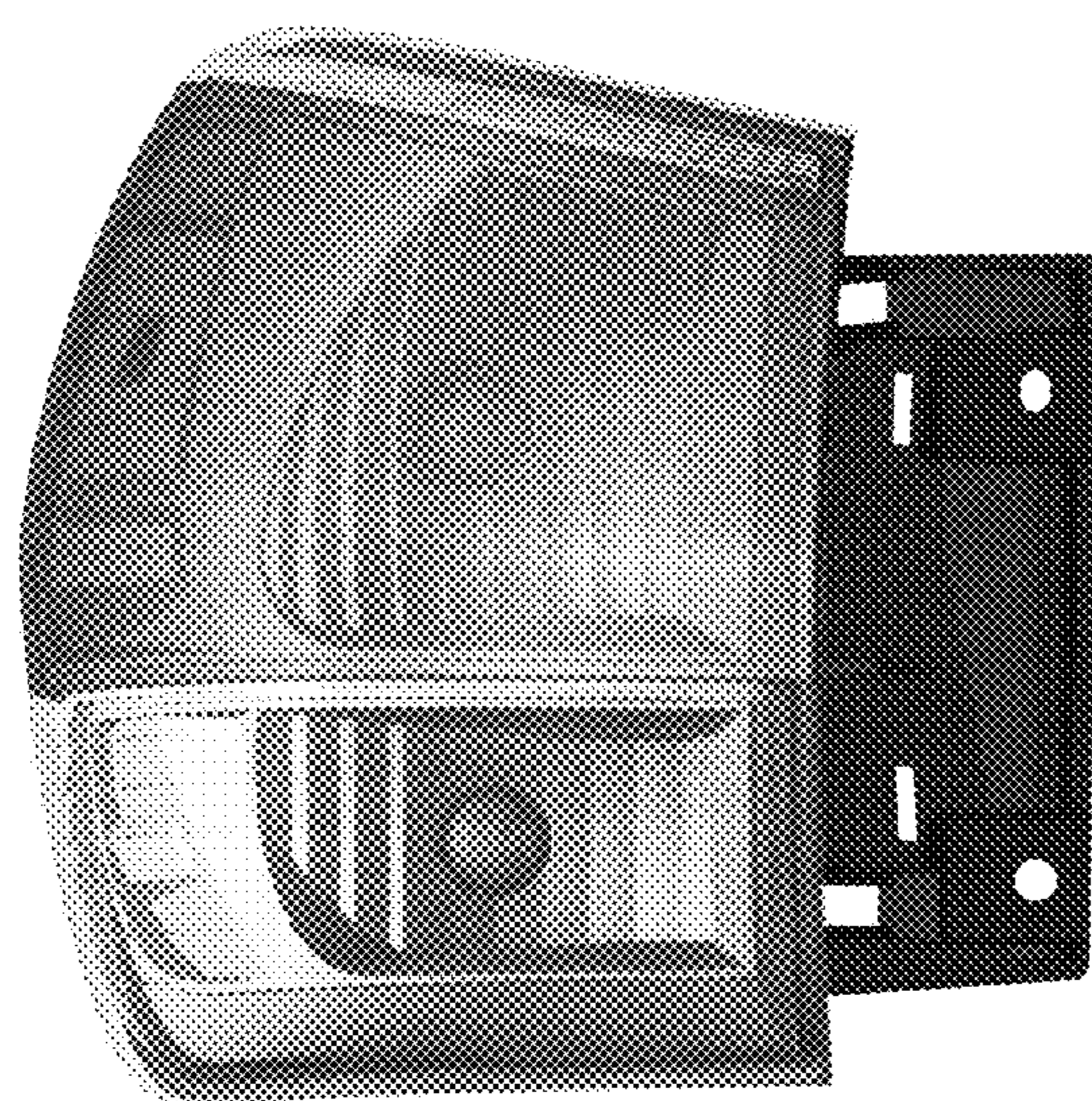


FIG. 2

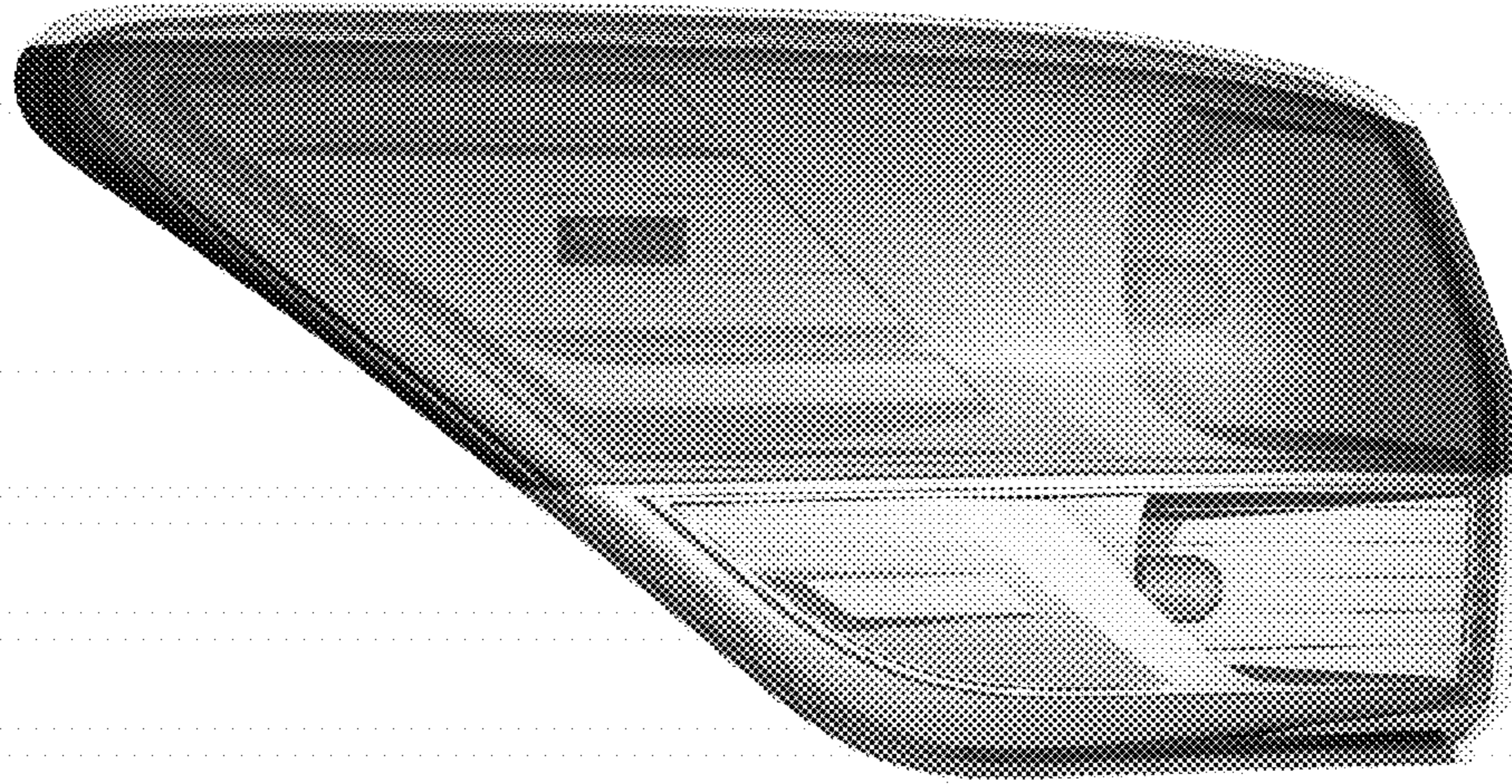


FIG. 3

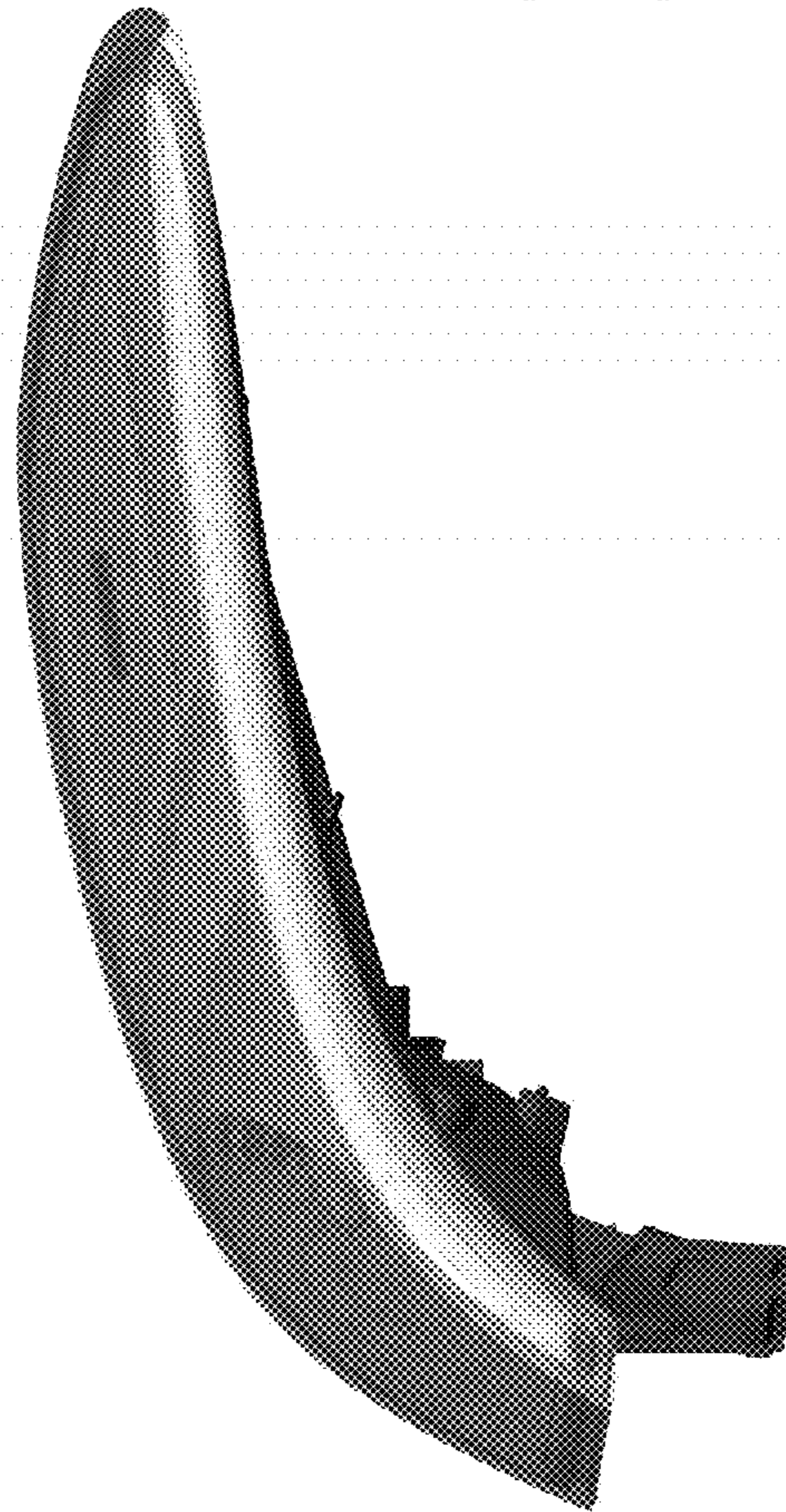


FIG. 4