



US00D683056S

(12) **United States Design Patent**  
**Neal et al.**

(10) **Patent No.:** **US D683,056 S**  
(45) **Date of Patent:** **\*\* May 21, 2013**

- (54) **VEHICLE LIGHT BAR BRACKET**
- (76) Inventors: **Gene Neal**, Mesa, AZ (US); **Kennieth Neal**, Mesa, AZ (US)
- (\*\*) Term: **14 Years**
- (21) Appl. No.: **29/372,903**
- (22) Filed: **Feb. 1, 2011**
- (51) **LOC (9) Cl.** ..... **26-06**
- (52) **U.S. Cl.**  
USPC ..... **D26/28**
- (58) **Field of Classification Search** ..... D26/28-36;  
362/61, 80-83, 267-269, 275, 330-340  
See application file for complete search history.

5,481,441 A 1/1996 Stevens  
 D521,923 S 5/2006 Ellis  
 D581,074 S \* 11/2008 Starr ..... D26/31

\* cited by examiner

*Primary Examiner* — Marcus Jackson  
 (74) *Attorney, Agent, or Firm* — John D. Titus

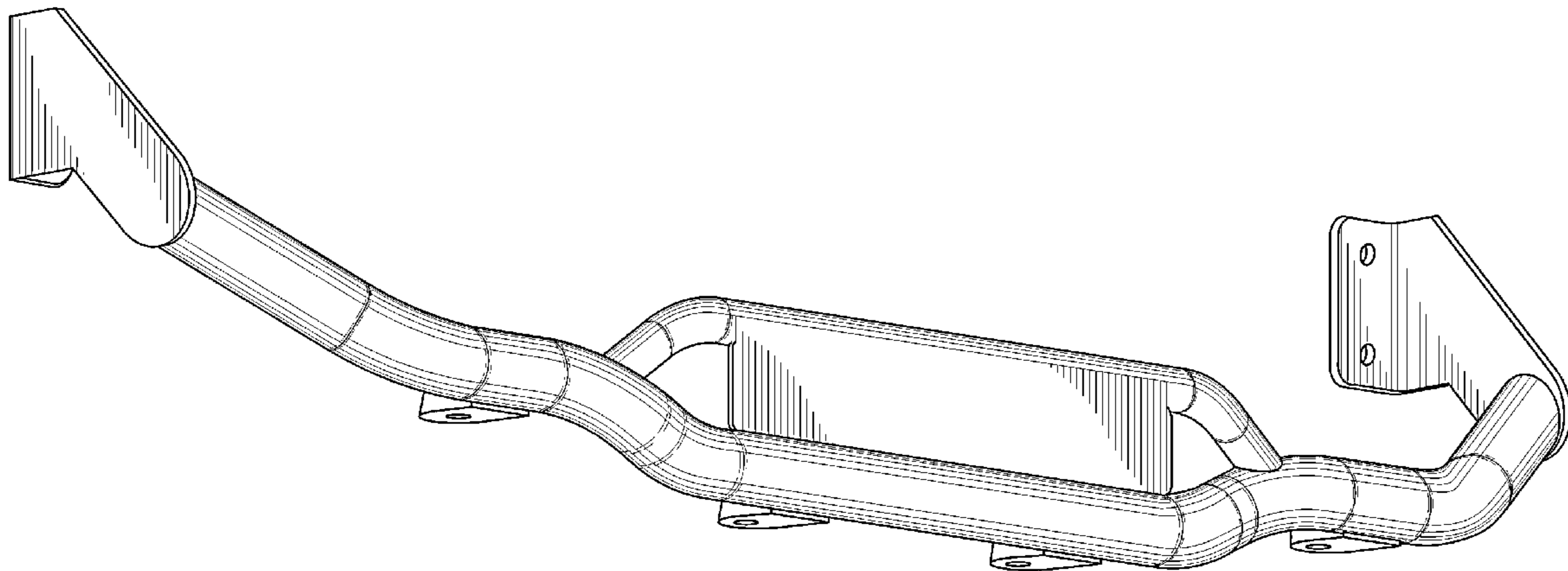
(57) **CLAIM**  
 We claim the ornamental design for a vehicle light bar bracket, as shown and described.

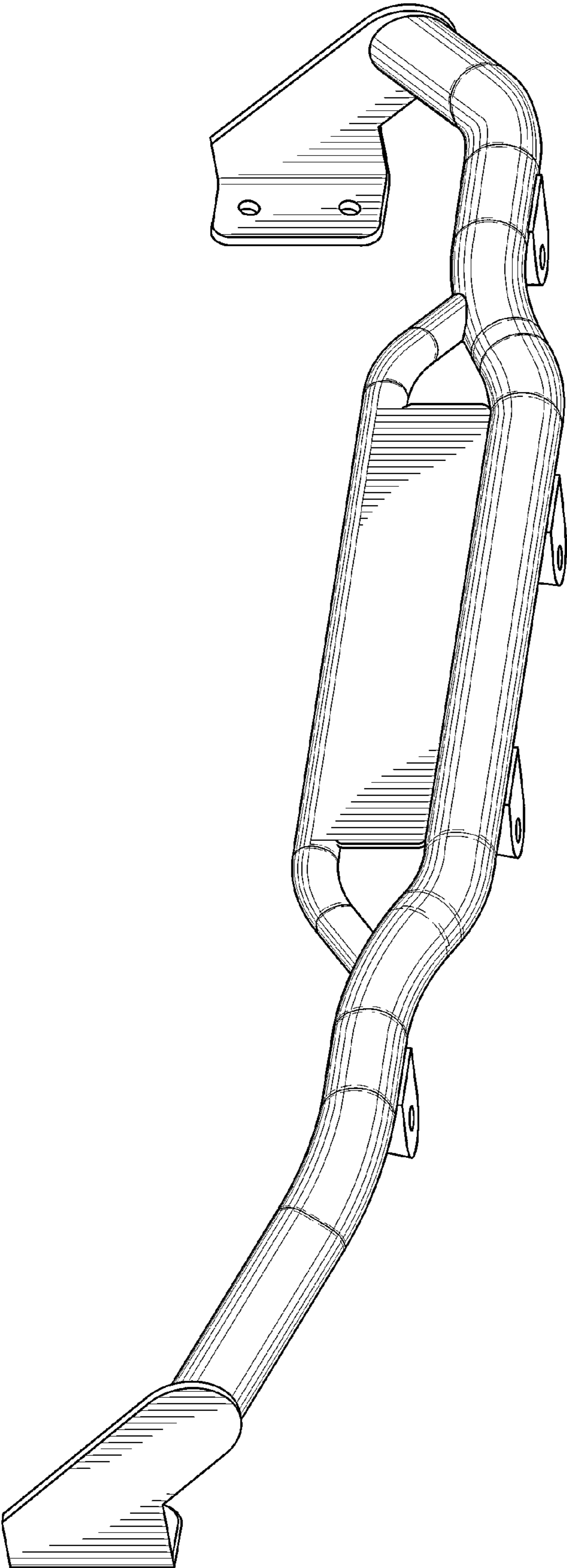
**DESCRIPTION**

FIG. 1 is a front perspective view of the light bar of our design for a vehicle light bar;  
 FIG. 2 is a front view thereof;  
 FIG. 3 is a right side view of the vehicle light bar bracket of our design, the left side view being the mirror image thereof;  
 FIG. 4 is a top view thereof; and,  
 FIG. 5 is a bottom view of thereof.

- (56) **References Cited**  
 U.S. PATENT DOCUMENTS  
 D310,793 S 9/1990 Castagna  
 D317,428 S 6/1991 Carr

**1 Claim, 4 Drawing Sheets**

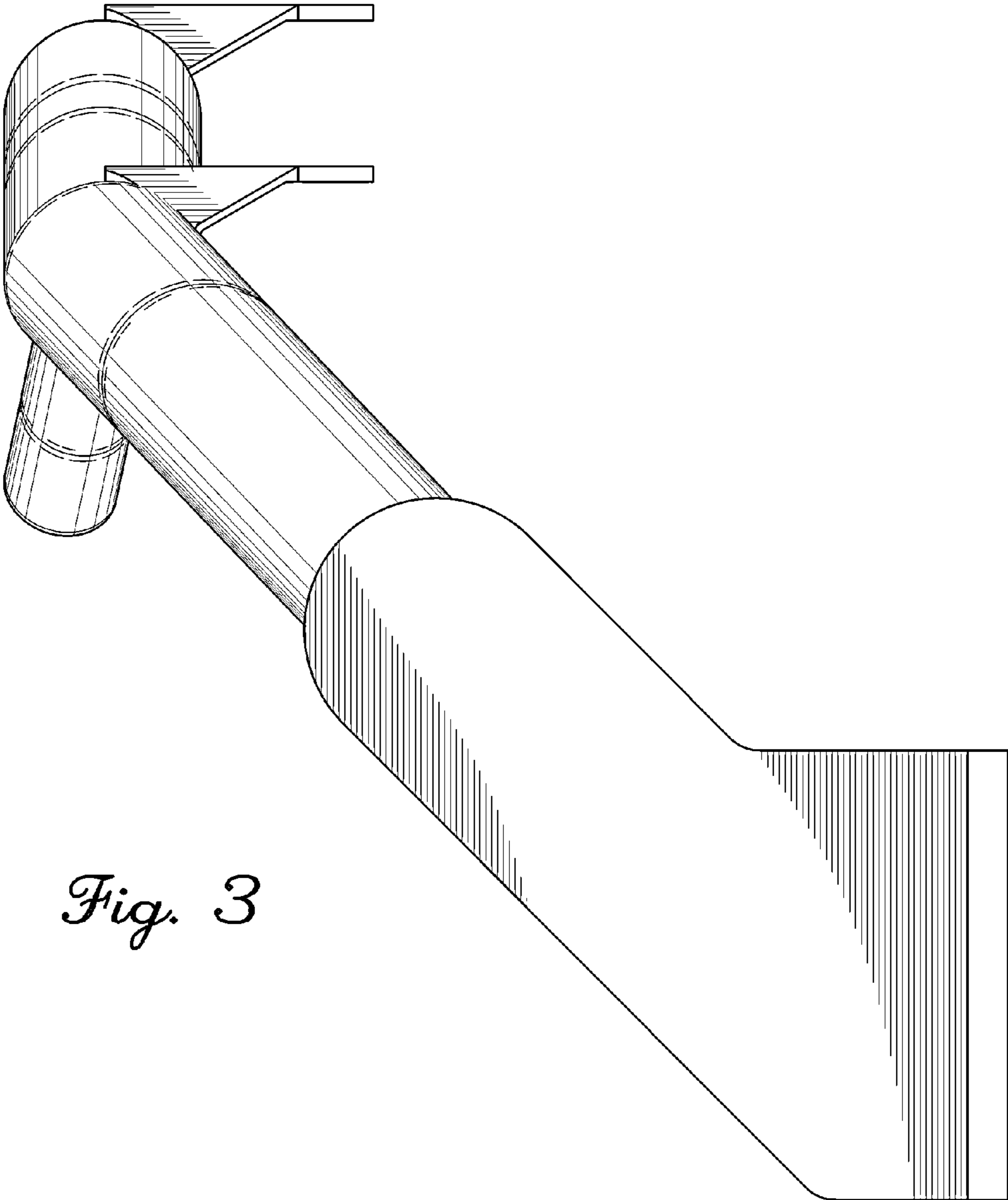




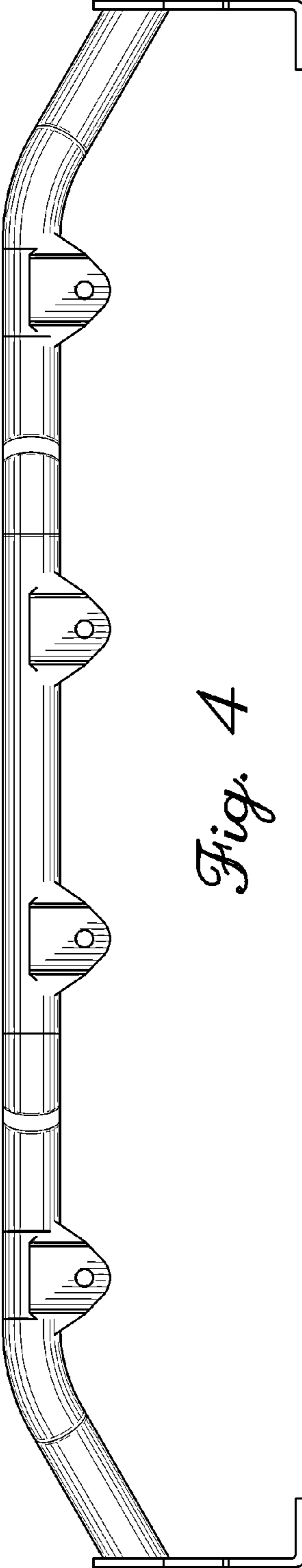
*Fig. 1*



*Fig. 2*



*Fig. 3*



*Fig. 4*



*Fig. 5*