



US00D683054S

(12) **United States Design Patent**  
**Deardorf**

(10) **Patent No.:** **US D683,054 S**

(45) **Date of Patent:** **\*\* May 21, 2013**

(54) **LADDER PLATFORM**

(75) Inventor: **Eldon N. Deardorf**, Noblesville, IN  
(US)

(73) Assignee: **Jacob's Ladder & Trailer, Inc.**,  
Indianapolis, IN (US)

(\*\*) **Term:** **14 Years**

(21) Appl. No.: **29/421,404**

(22) Filed: **Jul. 18, 2012**

(51) **LOC (9) Cl.** ..... **25-04**

(52) **U.S. Cl.**  
USPC ..... **D25/68**

(58) **Field of Classification Search**  
USPC ..... D25/68; 248/238, 210; 182/116,  
182/119, 129

See application file for complete search history.

(56) **References Cited**

**U.S. PATENT DOCUMENTS**

D248,777 S	8/1978	Spencer et al.	
4,159,045 A	6/1979	Brooks	
4,418,793 A *	12/1983	Brent .....	248/238
4,618,030 A	10/1986	Campbell	
4,862,994 A	9/1989	Hughes, Sr.	
5,191,954 A	3/1993	Ledford	
D340,291 S *	10/1993	Bartnicki et al. ....	D25/68

5,429,205 A	7/1995	Collins	
D388,883 S	1/1998	Thivierge et al.	
5,836,420 A	11/1998	Marky, Jr.	
5,967,259 A *	10/1999	Williams .....	182/129
6,148,958 A *	11/2000	Ahl et al. ....	182/129
6,341,666 B1 *	1/2002	Allen .....	182/129
6,824,115 B1 *	11/2004	Batson .....	248/238
D523,156 S	6/2006	Skaggs	
D576,292 S	9/2008	Brown	
D627,486 S	11/2010	O'Connell, Sr.	
2008/0053751 A1	3/2008	Meyers et al.	
2010/0200331 A1	8/2010	Hager	

\* cited by examiner

*Primary Examiner* — Doris Clark

(74) *Attorney, Agent, or Firm* — Frank D Lachenmaier

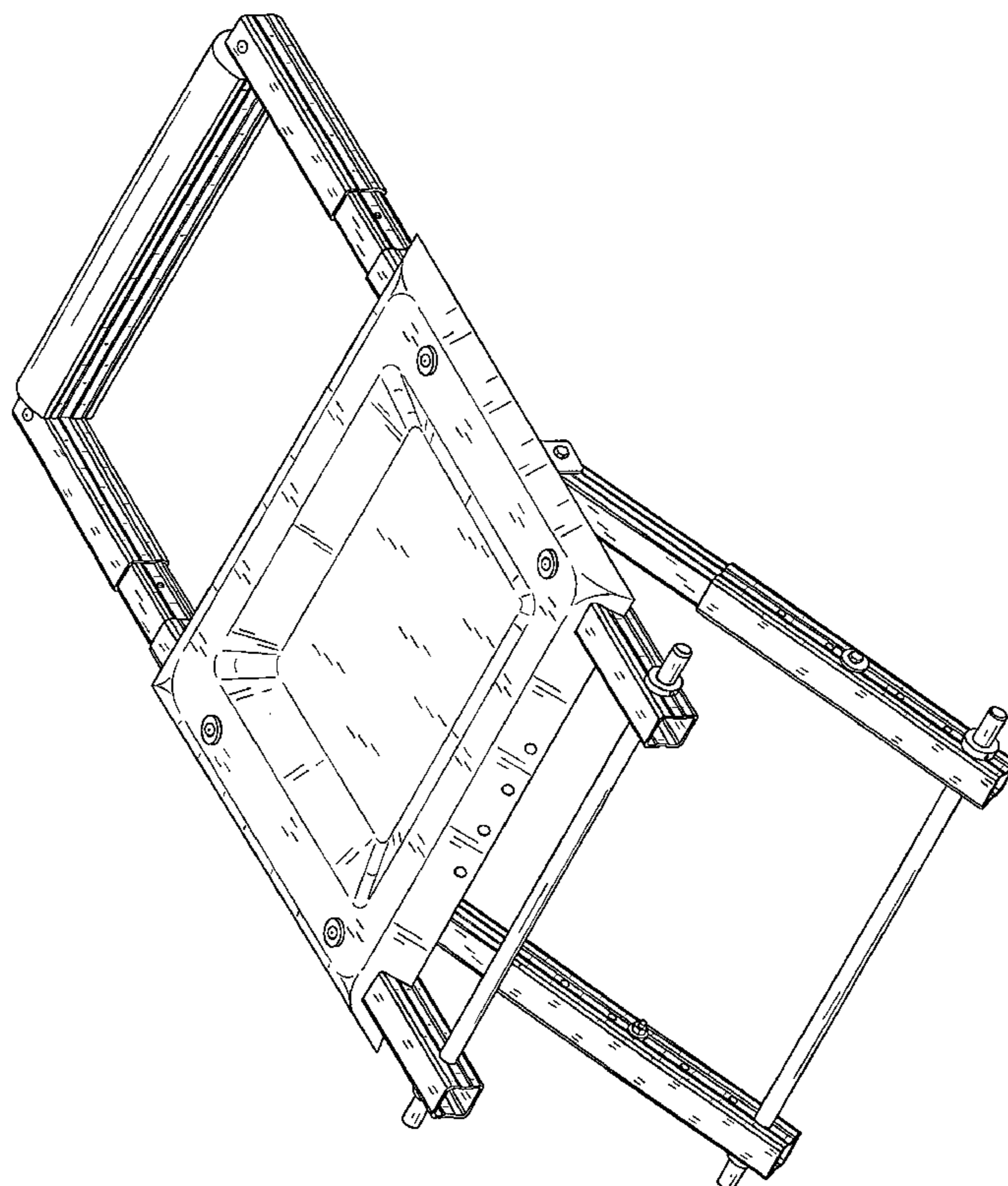
(57) **CLAIM**

The ornamental design for ladder platform, as shown and described.

**DESCRIPTION**

FIG. 1 is a perspective view of a ladder platform showing our new design with an adjustable bumper stand-off; and, FIG. 2 is a perspective view thereof wherein the bumper stand-off is shown with arrows indicating the direction of adjustment and a ladder is shown in broken lines as it is not a part of this invention and is shown for illustrative purposes only.

**1 Claim, 2 Drawing Sheets**



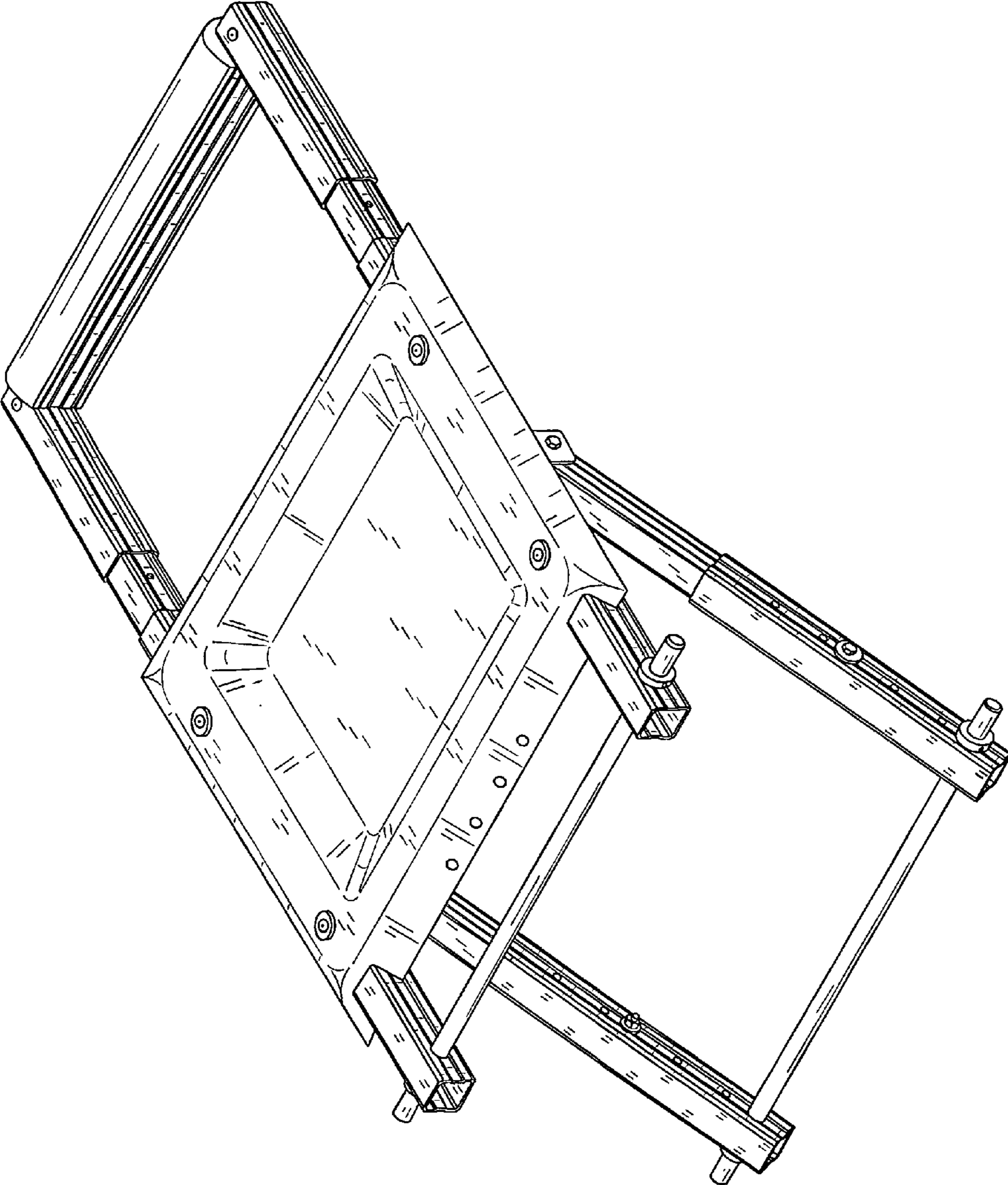


FIG 1

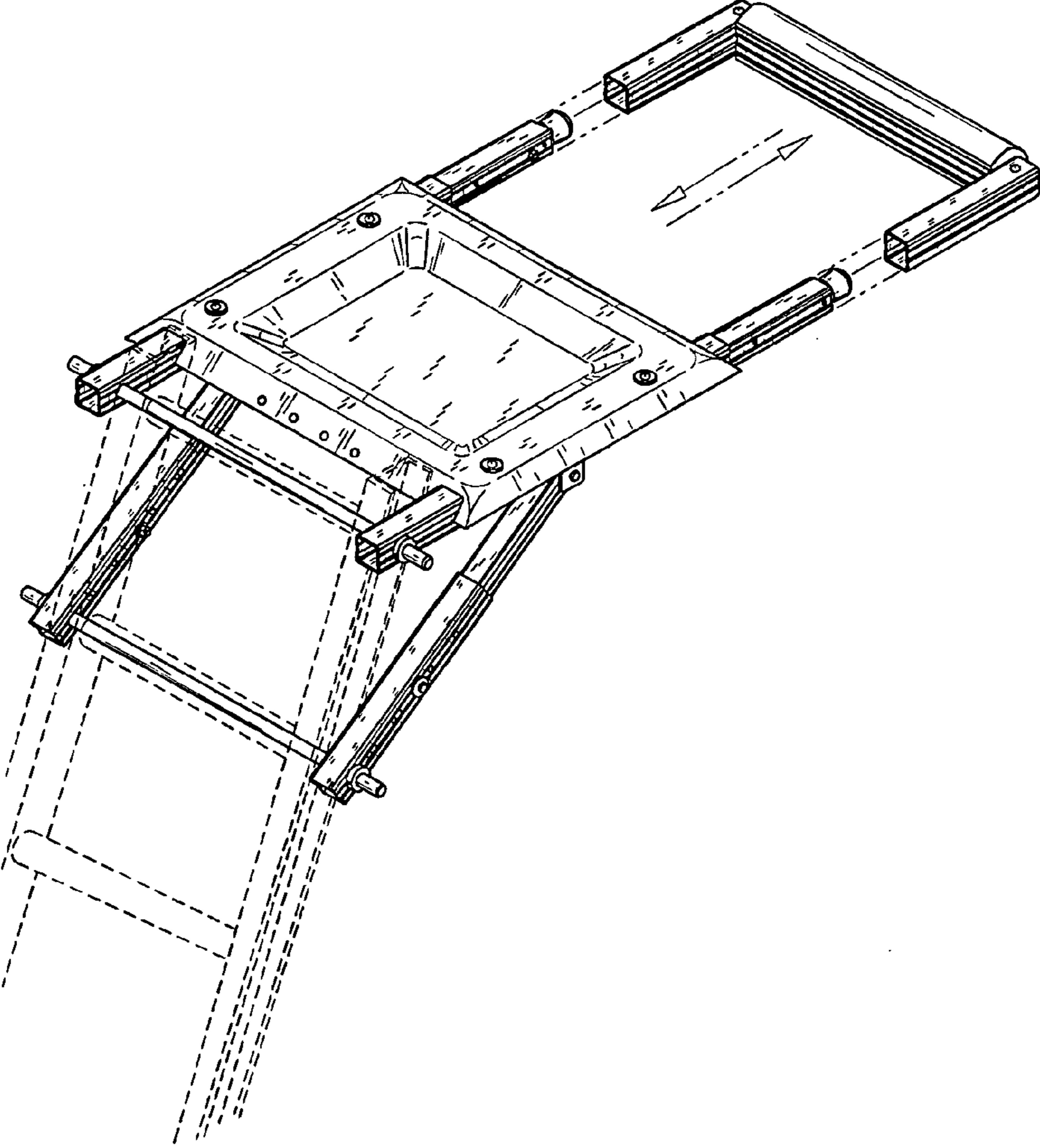


FIG 2