



US00D683053S

(12) **United States Design Patent**
Davis et al.

(10) **Patent No.:** **US D683,053 S**
(45) **Date of Patent:** **** *May 21, 2013**

(54) **SUPPORT STRUCTURE**

(75) Inventors: **Adam Davis**, Leola, PA (US); **James Fairorth**, Manheim, PA (US); **Michael Tait**, Lititz, PA (US)

(73) Assignee: **Tait Towers, Inc.**, Lititz, PA (US)

(*) Notice: This patent is subject to a terminal disclaimer.

(**) Term: **14 Years**

(21) Appl. No.: **29/424,773**

(22) Filed: **Jun. 15, 2012**

Related U.S. Application Data

(60) Continuation of application No. 13/472,668, filed on May 16, 2012, which is a continuation of application No. 13/008,246, filed on Jan. 18, 2011, which is a continuation of application No. 12/388,645, filed on Feb. 19, 2009, now Pat. No. 7,922,416, which is a division of application No. 11/295,999, filed on Dec. 7, 2005, now Pat. No. 7,703,401.

(51) **LOC (9) Cl.** **25-04**

(52) **U.S. Cl.**
USPC **D25/62; D25/66**

(58) **Field of Classification Search** D25/66,
D25/62; 182/128, 130, 141, 152, 187; 248/439
See application file for complete search history.

(56) **References Cited**

U.S. PATENT DOCUMENTS

3,000,466	A *	9/1961	Johnson et al.	182/118
3,086,256	A *	4/1963	Schieber, Jr.	108/171
3,190,406	A *	6/1965	Usher et al.	52/646
4,055,124	A *	10/1977	Weagle	108/132
5,555,954	A *	9/1996	Swiderski	182/152
D464,144	S *	10/2002	Peterson	D25/62
D486,243	S *	2/2004	Yamaoka	D25/66
7,549,381	B1 *	6/2009	Nail et al.	108/132
2005/0029049	A1 *	2/2005	Moser et al.	182/152

* cited by examiner

Primary Examiner — Doris Clark

(74) *Attorney, Agent, or Firm* — McNees Wallace & Nurick LLC

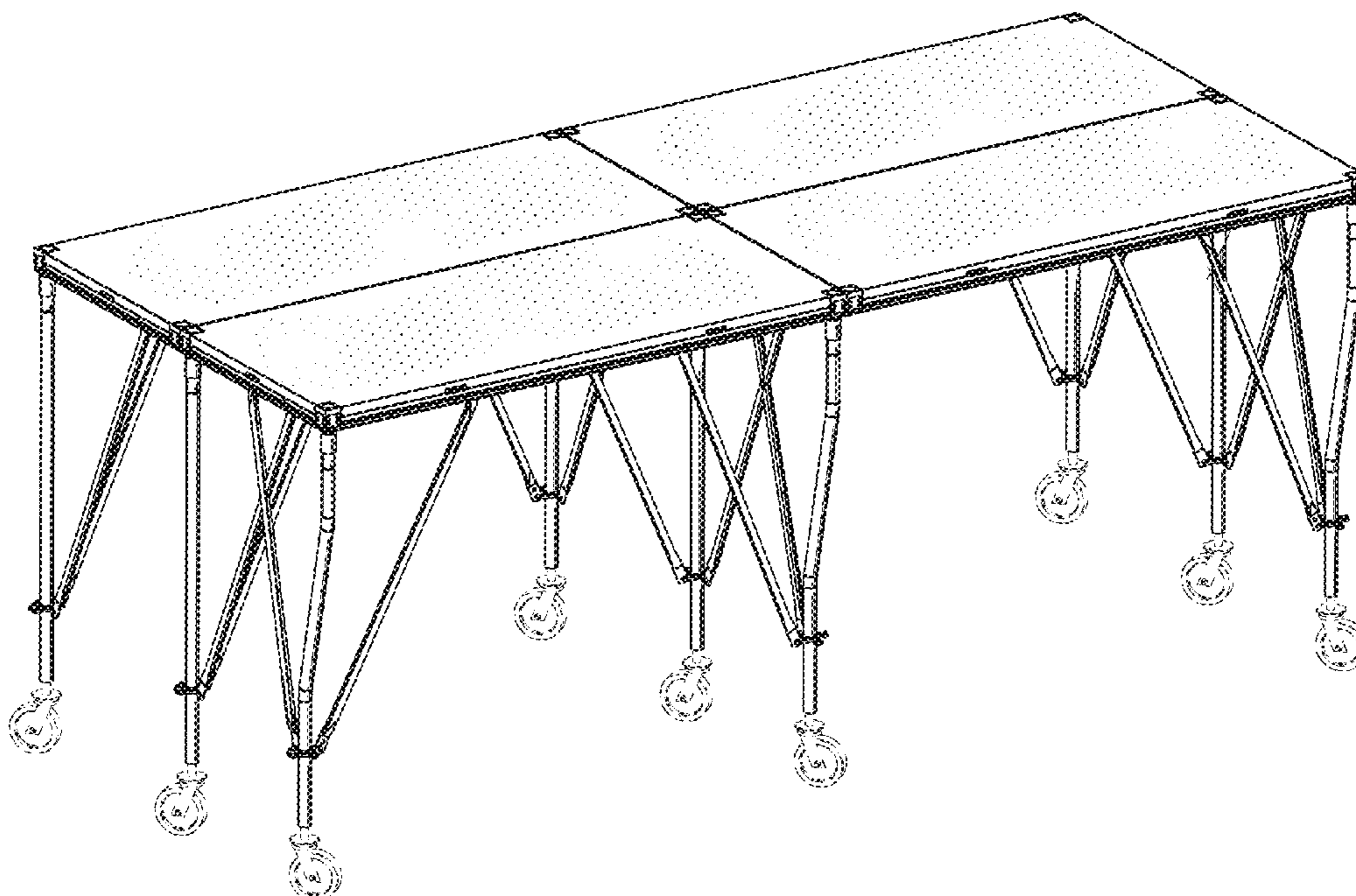
(57) **CLAIM**

We claim the ornamental design for a support structure, as shown and described.

DESCRIPTION

FIG. 1 is a perspective view of a support structure according to the disclosure;
FIG. 2 is a side view of a support structure according to the disclosure;
FIG. 3 is a front view of a support structure according to the disclosure;
FIG. 4 is a top view of a support structure according to the disclosure; and,
FIG. 5 is a bottom view of a support structure according to the disclosure.
The broken line portions shown on the drawing disclosure are for illustrative purposes only and form no part of the claimed design.

1 Claim, 3 Drawing Sheets



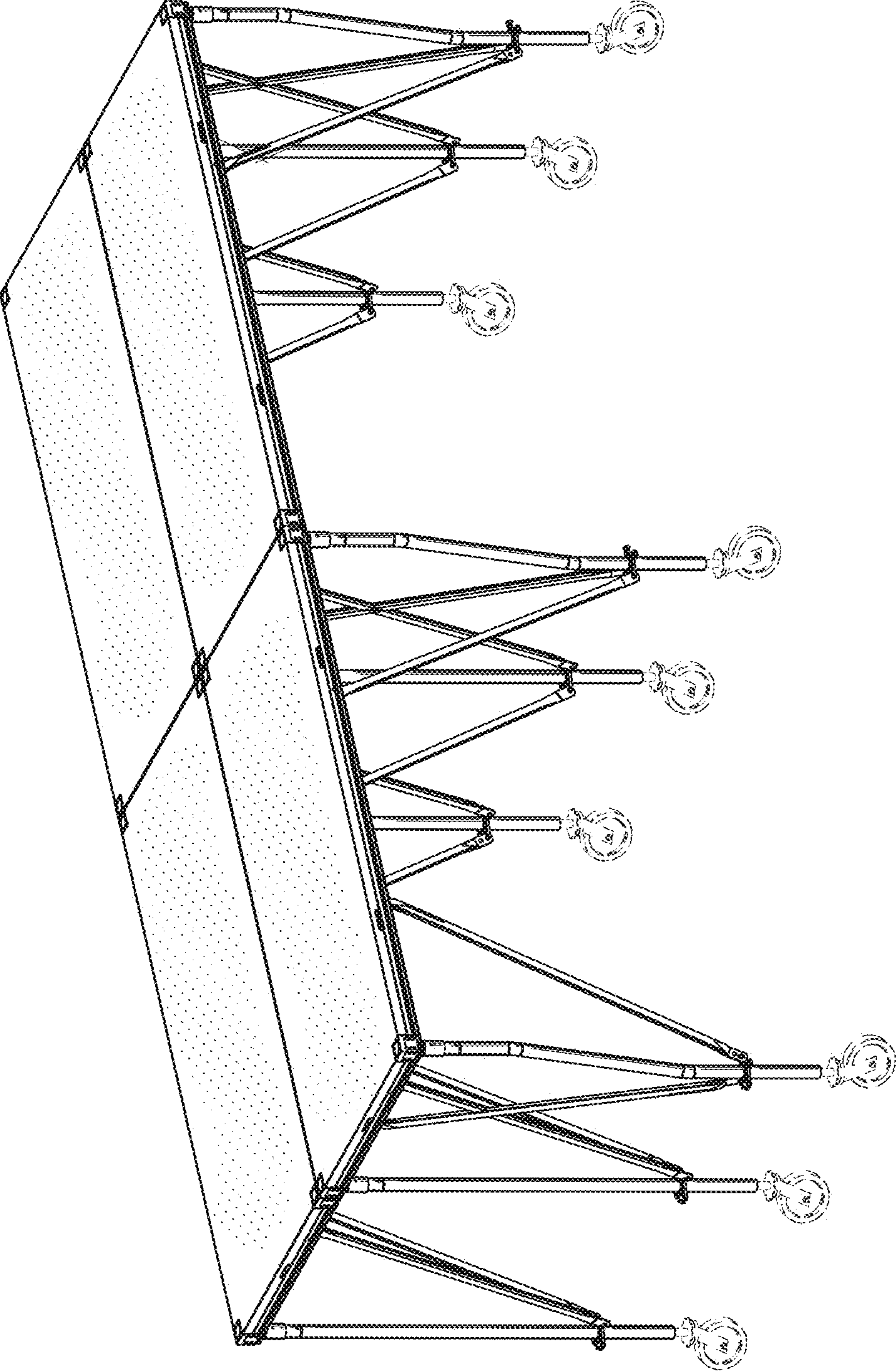


FIG. 1

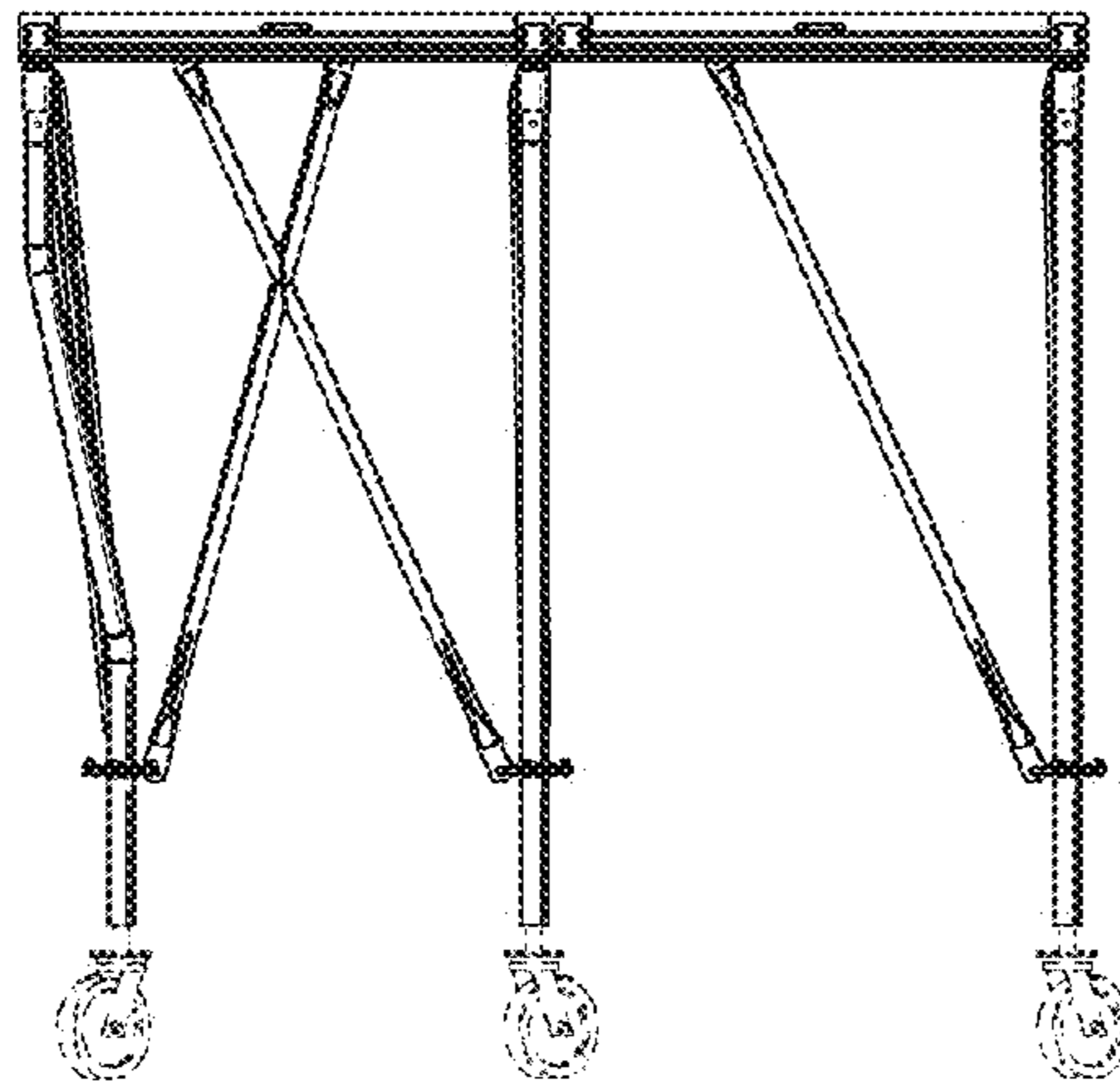


FIG. 2

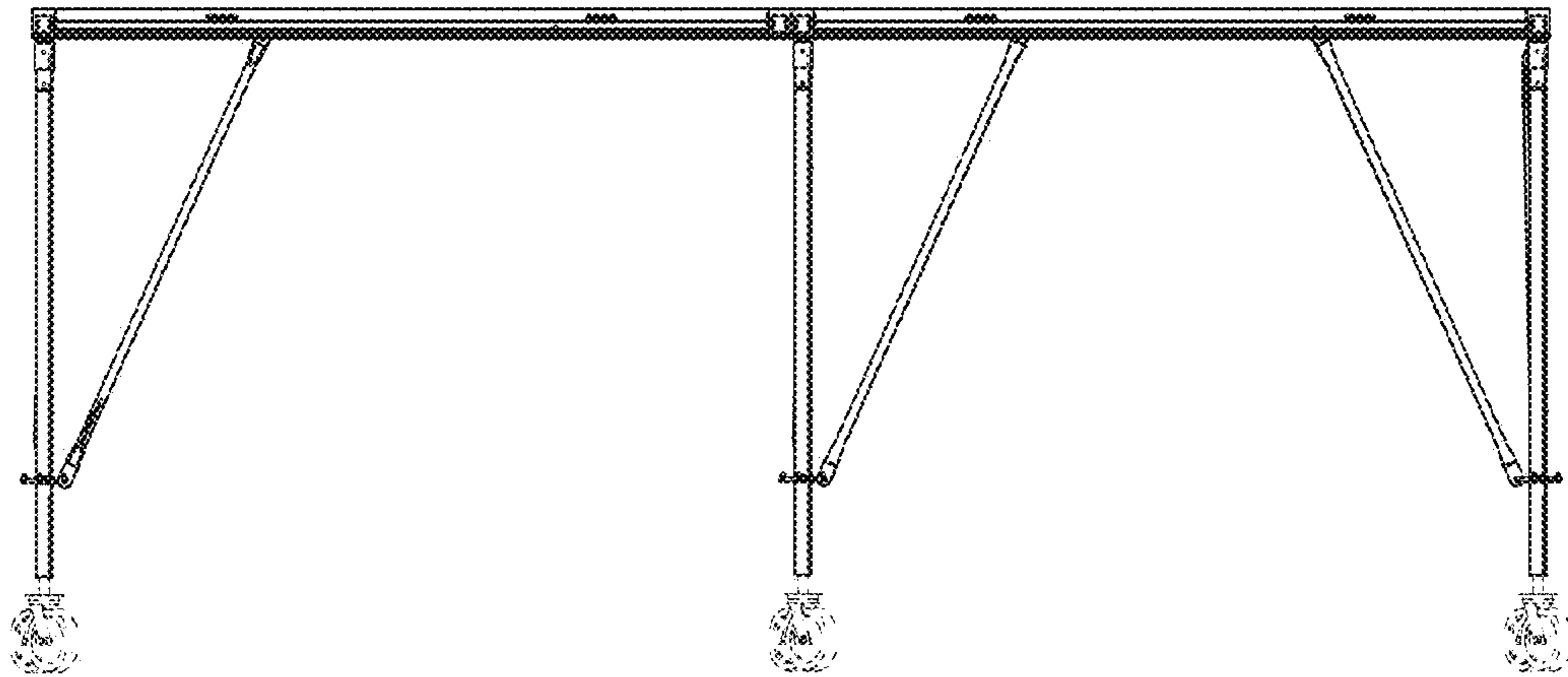


FIG. 3

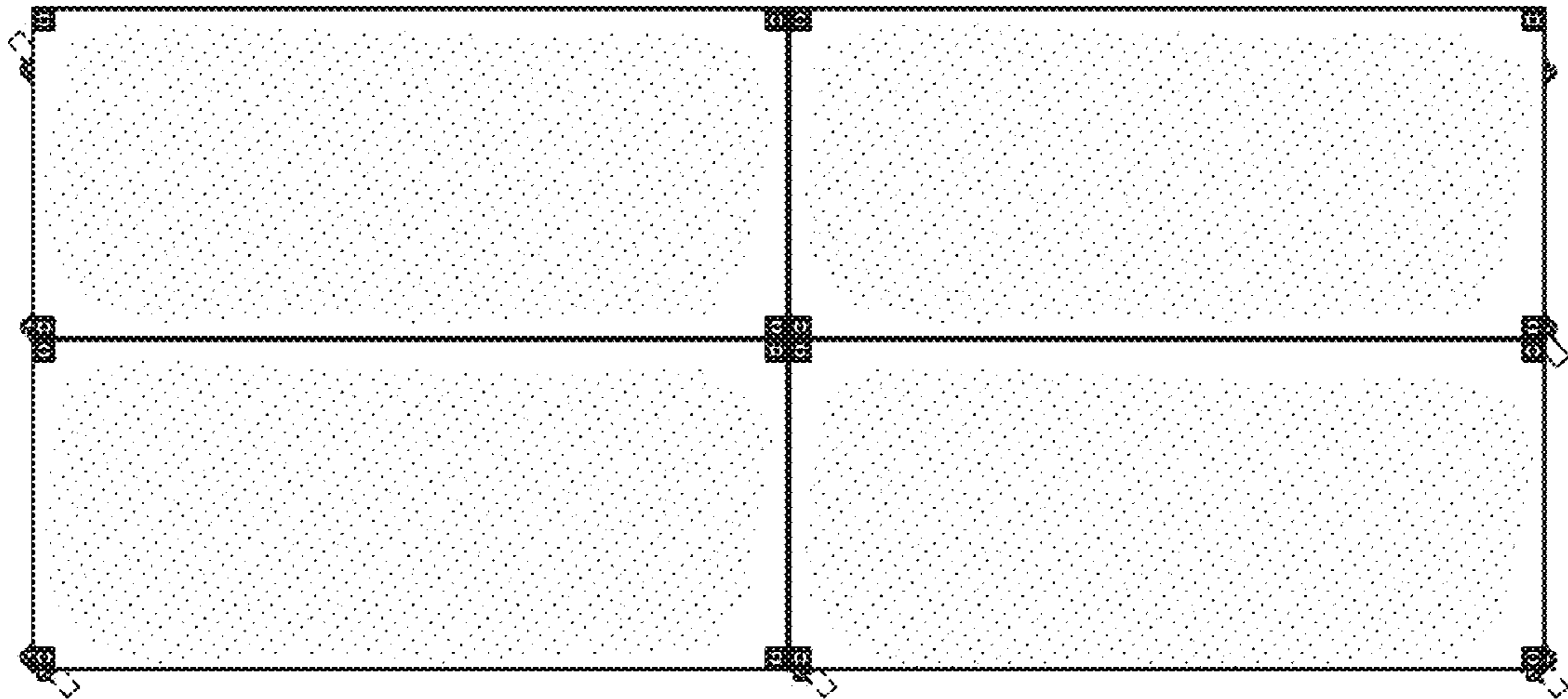


FIG. 4

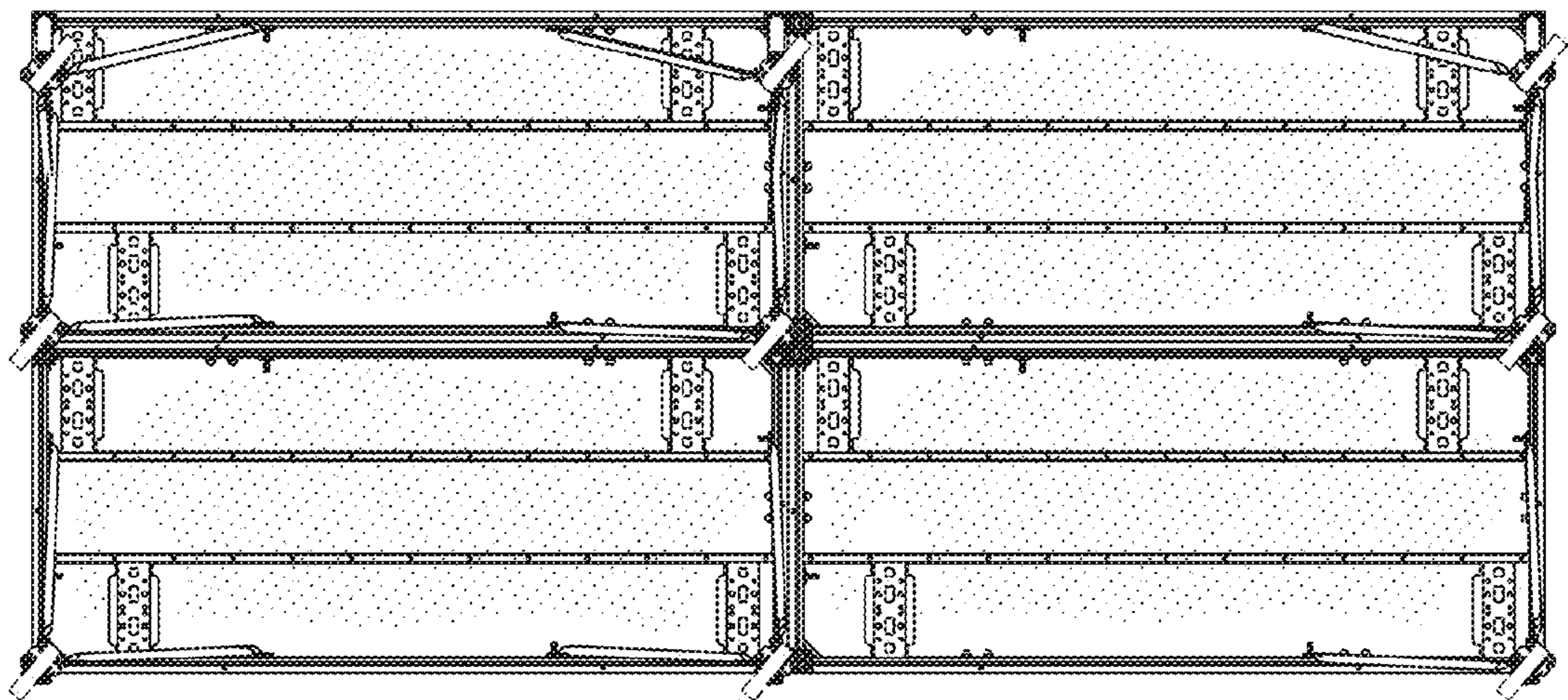


FIG. 5