



US00D683050S

(12) **United States Design Patent**  
**Homma et al.**

(10) **Patent No.:** **US D683,050 S**

(45) **Date of Patent:** **\*\* May 21, 2013**

(54) **FRONT FACE OF DOOR CLOSURE**

(75) Inventors: **Yasuhiro Homma**, Greensboro, NC  
(US); **Christopher Osborne**, Efland, NC  
(US)

(73) Assignee: **Honda Patents & Technologies North  
America, LLC**, Torrance, CA (US)

(\*\*) Term: **14 Years**

(21) Appl. No.: **29/403,584**

(22) Filed: **Oct. 7, 2011**

(51) **LOC (9) Cl.** ..... **25-02**

(52) **U.S. Cl.**

USPC ..... **D25/48.3**

(58) **Field of Classification Search**

USPC ..... D6/561; D23/295, 303; D12/100,  
D12/106, 345, 96, 404; D25/48.3, 48.4;  
52/782.11, 457, 79.1; 4/479, 460; 49/61,  
49/68; 187/336; 312/109; 244/129.4, 129.5

See application file for complete search history.

(56) **References Cited**

**U.S. PATENT DOCUMENTS**

4,493,118 A \* 1/1985 Braxton ..... 4/460  
5,740,888 A \* 4/1998 Aulanko et al. .... 187/336

D455,391 S \* 4/2002 Granzeier et al. .... D12/345  
D500,365 S \* 12/2004 Sommerfeld et al. .... D25/48.3  
7,963,482 B2 \* 6/2011 Ashton et al. .... 244/129.5  
2004/0177567 A1 \* 9/2004 Braun ..... 52/79.1  
2005/0223652 A1 \* 10/2005 Mower et al. .... 52/79.1  
2007/0119659 A1 \* 5/2007 Fargo ..... 187/336

\* cited by examiner

*Primary Examiner* — Doris Clark

(74) *Attorney, Agent, or Firm* — Plumsea Law Group, LLC

(57) **CLAIM**

The ornamental design for a front face of a door closure, as shown and described.

**DESCRIPTION**

FIG. 1 is an elevational view of a front face of a door closure showing our new design with the doors illustrated in a retracted and fully open position;

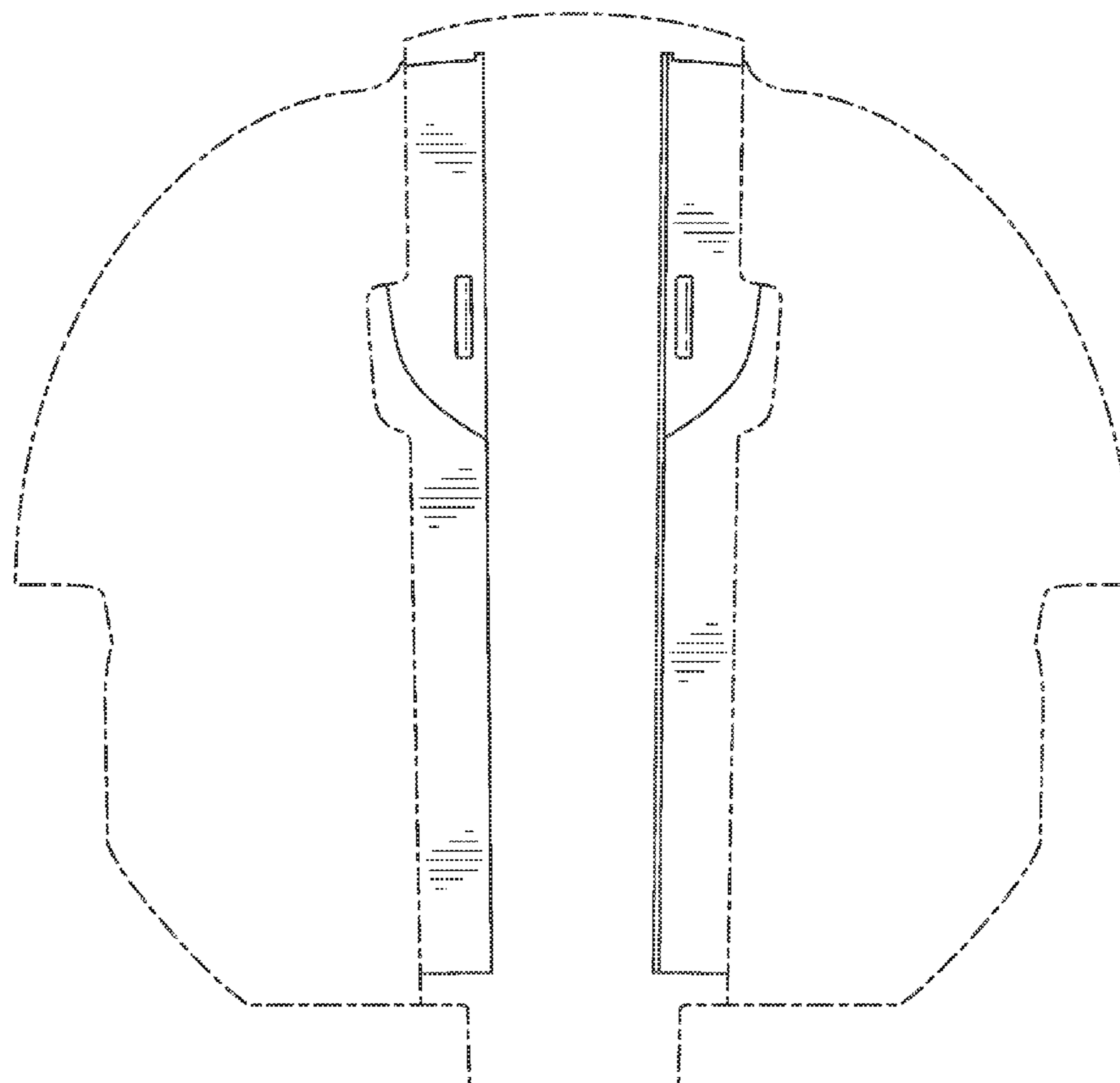
FIG. 2 is an elevational view thereof with the doors illustrated in a partially retracted and partially open position;

FIG. 3 is an elevational view thereof with the doors illustrated in an extended and closed position; and,

FIG. 4 is a perspective view of an upper door panel of the closure illustrated in a retracted and fully open position as in FIG. 1.

The broken line showings form no part of the claimed design.

**1 Claim, 4 Drawing Sheets**



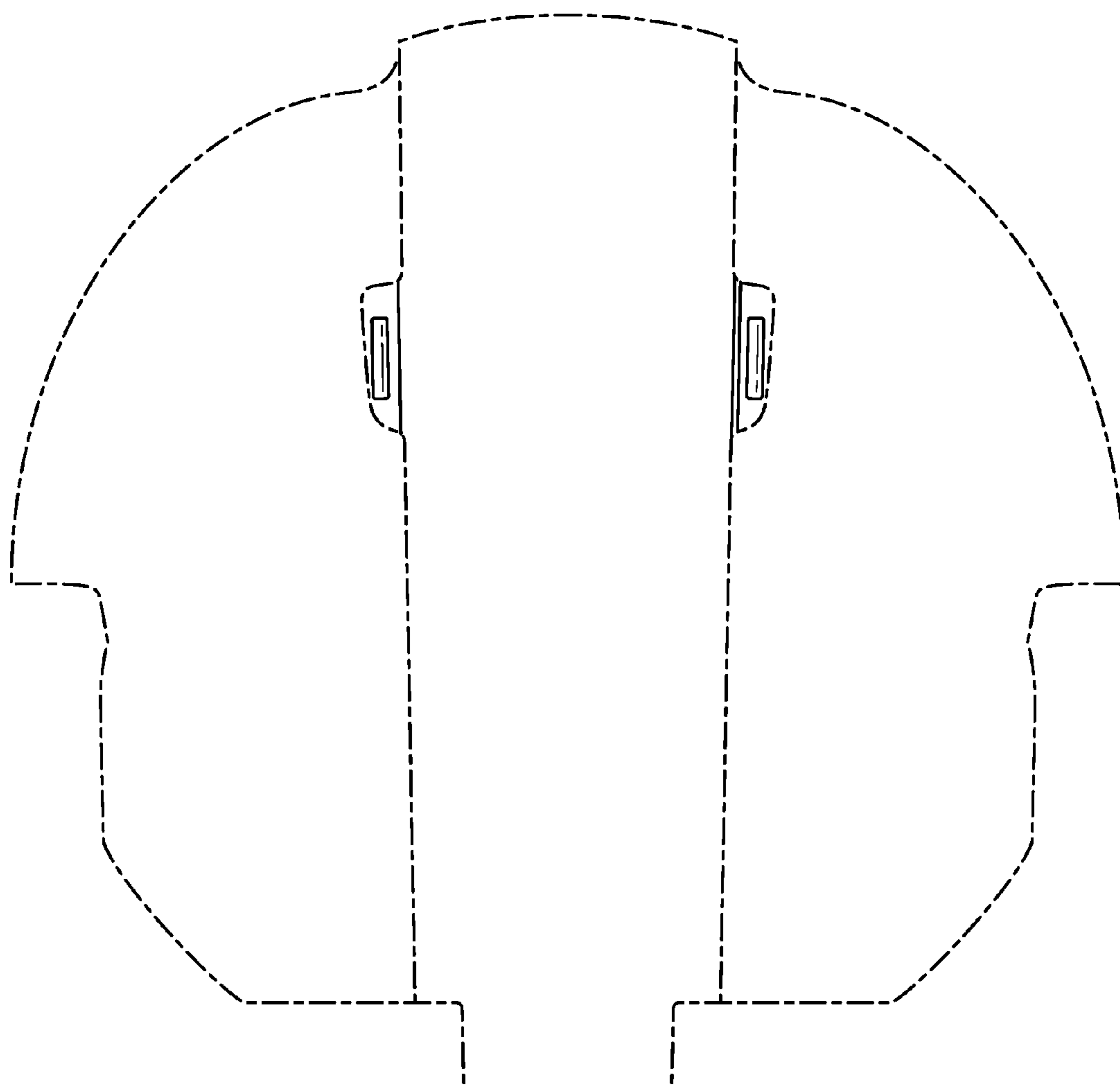


FIG. 1

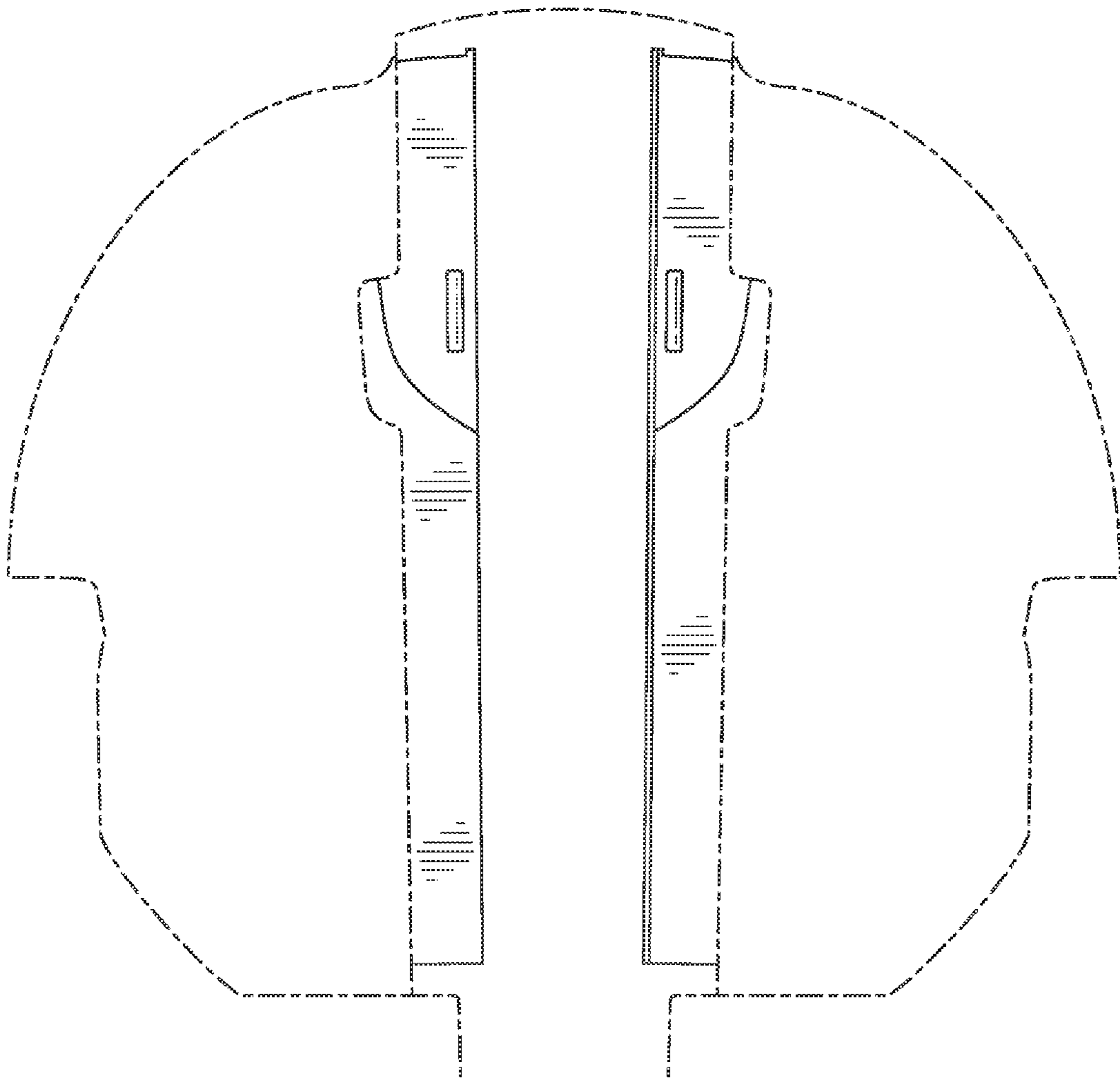


FIG. 2

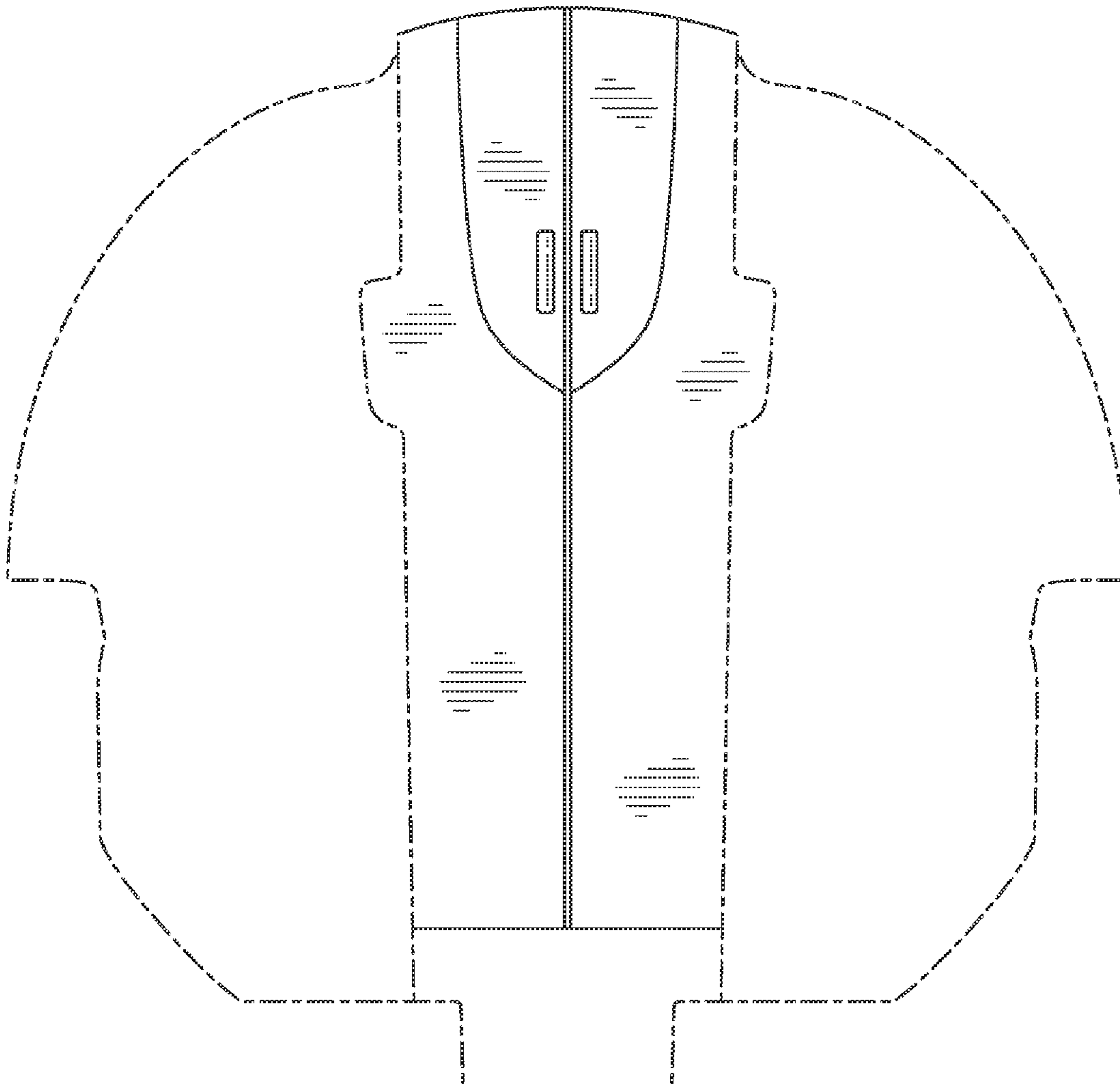
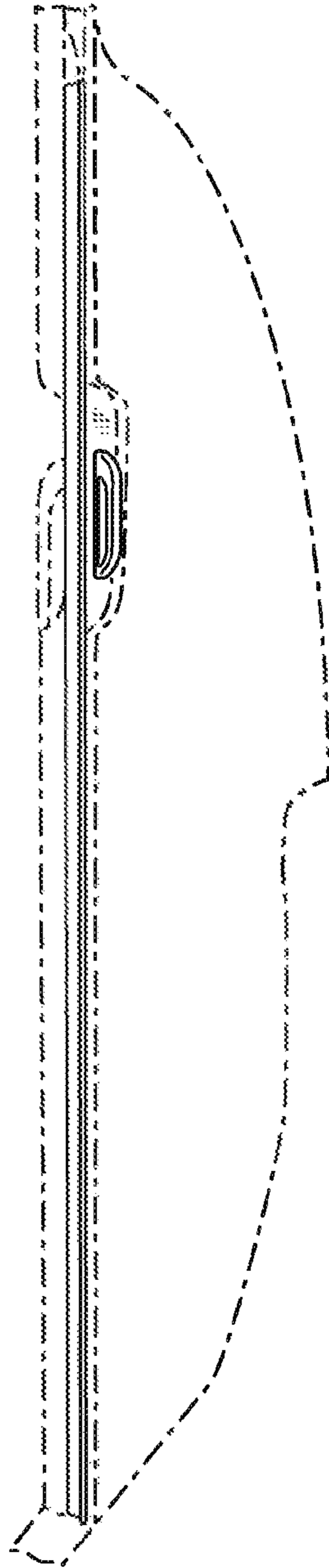


FIG. 3



**FIG. 4**