

US00D683046S

(12) **United States Design Patent**
Yin et al.

(10) **Patent No.:** **US D683,046 S**

(45) **Date of Patent:** **** May 21, 2013**

(54) **INVERTIBLE MAGNETIC STAND FOR TEST TUBES**

(71) Applicants: **Shanshan Yin**, Chengdu (CN); **Qiang Wan**, Chengdu (CN)

(72) Inventors: **Shanshan Yin**, Chengdu (CN); **Qiang Wan**, Chengdu (CN)

(73) Assignee: **Snova Biotechnologies Co., Ltd.**, Chengdu, Longquanyi District (CN)

(**) Term: **14 Years**

(21) Appl. No.: **29/436,146**

(22) Filed: **Nov. 1, 2012**

(30) **Foreign Application Priority Data**

Sep. 3, 2012 (CN) 2012 3 0419689

(51) **LOC (9) Cl.** **24-02**

(52) **U.S. Cl.**
USPC **D24/230**

(58) **Field of Classification Search** D24/216,
D24/222, 224, 226, 227, 229, 230; 422/63-64,
422/99-104, 250, 266, 297, 330, 476, 561,
422/942; 206/563, 446; 211/69, 71-72,
211/74, 71.01

See application file for complete search history.

(56) **References Cited**

U.S. PATENT DOCUMENTS

| | | | | |
|--------------|---------|-------------------|-------|---------|
| D265,126 S * | 6/1982 | Beall | | D24/230 |
| D323,400 S * | 1/1992 | Frenkel et al. | | D24/230 |
| D325,975 S * | 5/1992 | Grade et al. | | D24/230 |
| D333,522 S * | 2/1993 | Gianino | | D24/229 |
| D333,523 S * | 2/1993 | Gianino | | D24/229 |
| D382,346 S * | 8/1997 | Buhler et al. | | D24/227 |
| D413,391 S * | 8/1999 | Lapeus et al. | | D24/227 |
| D413,677 S * | 9/1999 | Dumitrescu et al. | | D24/229 |
| D417,009 S * | 11/1999 | Boyd | | D24/227 |

| | | | | |
|--------------|---------|-------------------|-------|---------|
| D420,747 S * | 2/2000 | Dumitrescu et al. | | D24/227 |
| D421,130 S * | 2/2000 | Cohen et al. | | D24/229 |
| D428,497 S * | 7/2000 | Lapeus et al. | | D24/227 |
| D448,854 S * | 10/2001 | Kuiper et al. | | D24/230 |
| D461,554 S * | 8/2002 | Lafond et al. | | D24/230 |
| D484,989 S * | 1/2004 | Gebrian | | D24/230 |
| D591,425 S * | 4/2009 | Hawker et al. | | D24/230 |
| D595,423 S * | 6/2009 | Johansson et al. | | D24/229 |
| D596,312 S * | 7/2009 | Giraud et al. | | D24/230 |
| D596,758 S * | 7/2009 | Constable | | D24/230 |
| D598,566 S * | 8/2009 | Allaer | | D24/230 |
| D637,709 S * | 5/2011 | Brede et al. | | D24/107 |
| D662,603 S * | 6/2012 | Greenizen | | D24/227 |

* cited by examiner

Primary Examiner — T. Chase Nelson

Assistant Examiner — Mark Cavanna

(74) *Attorney, Agent, or Firm* — Andrew W. Chu; Craft Chu PLLC

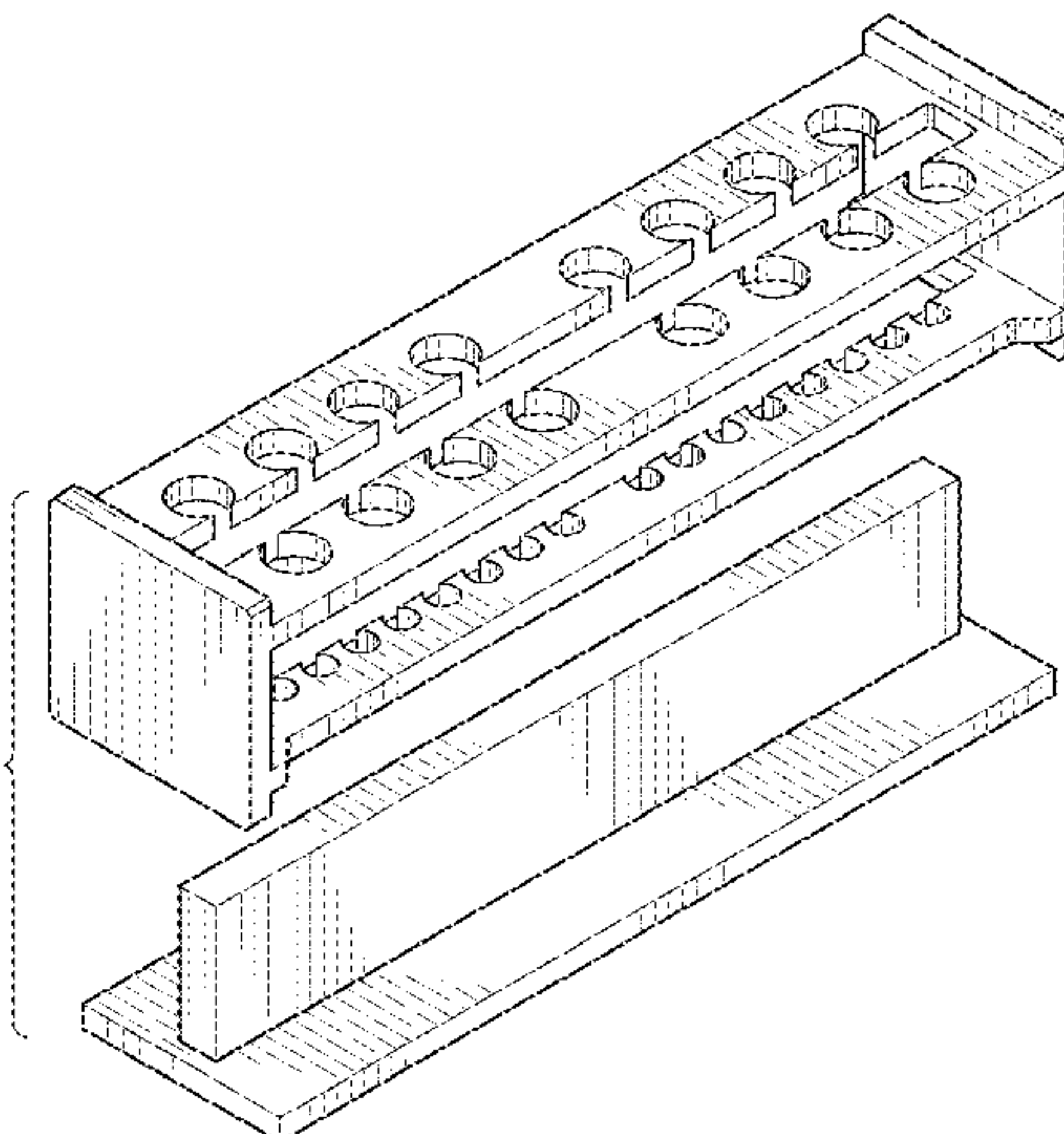
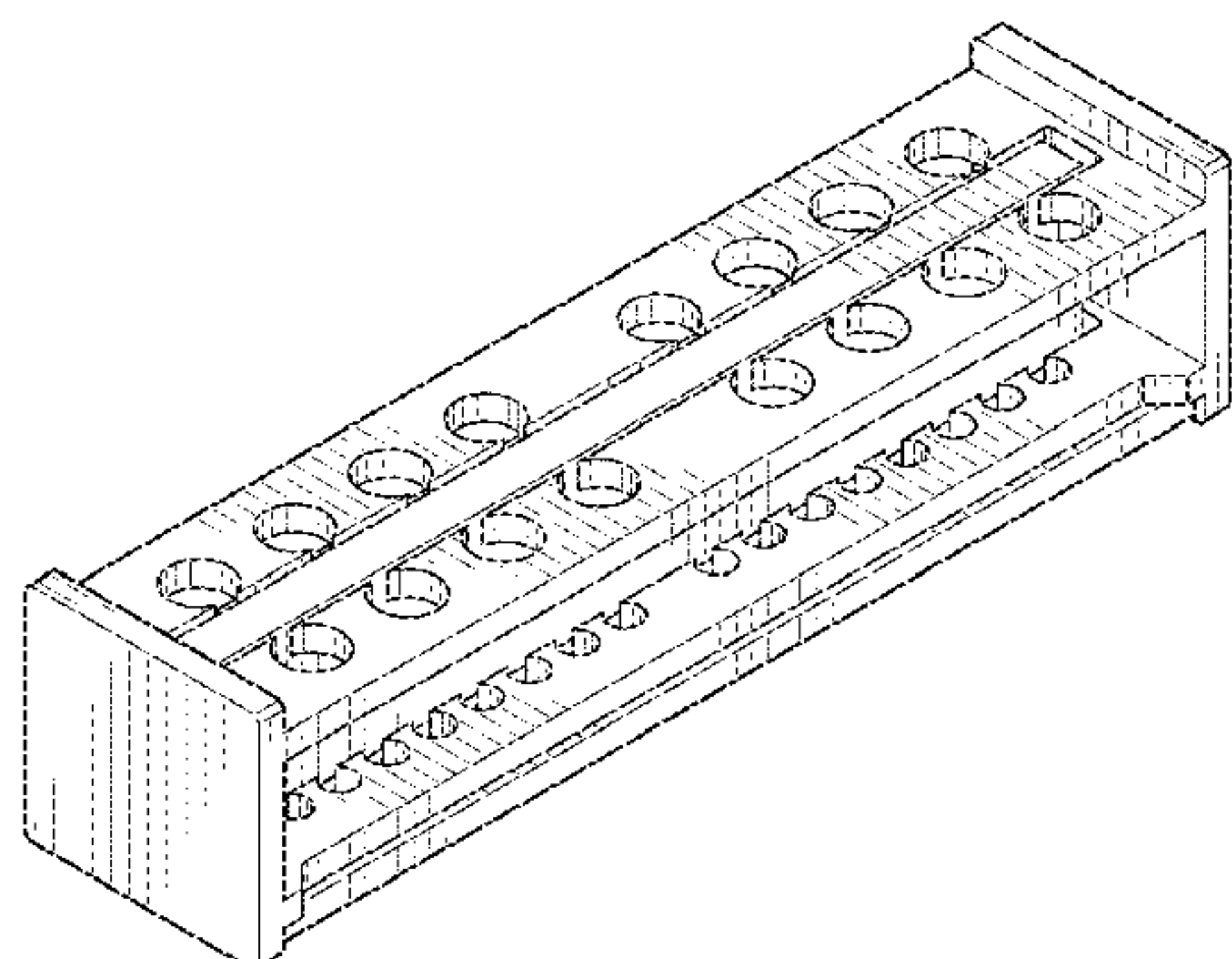
(57) **CLAIM**

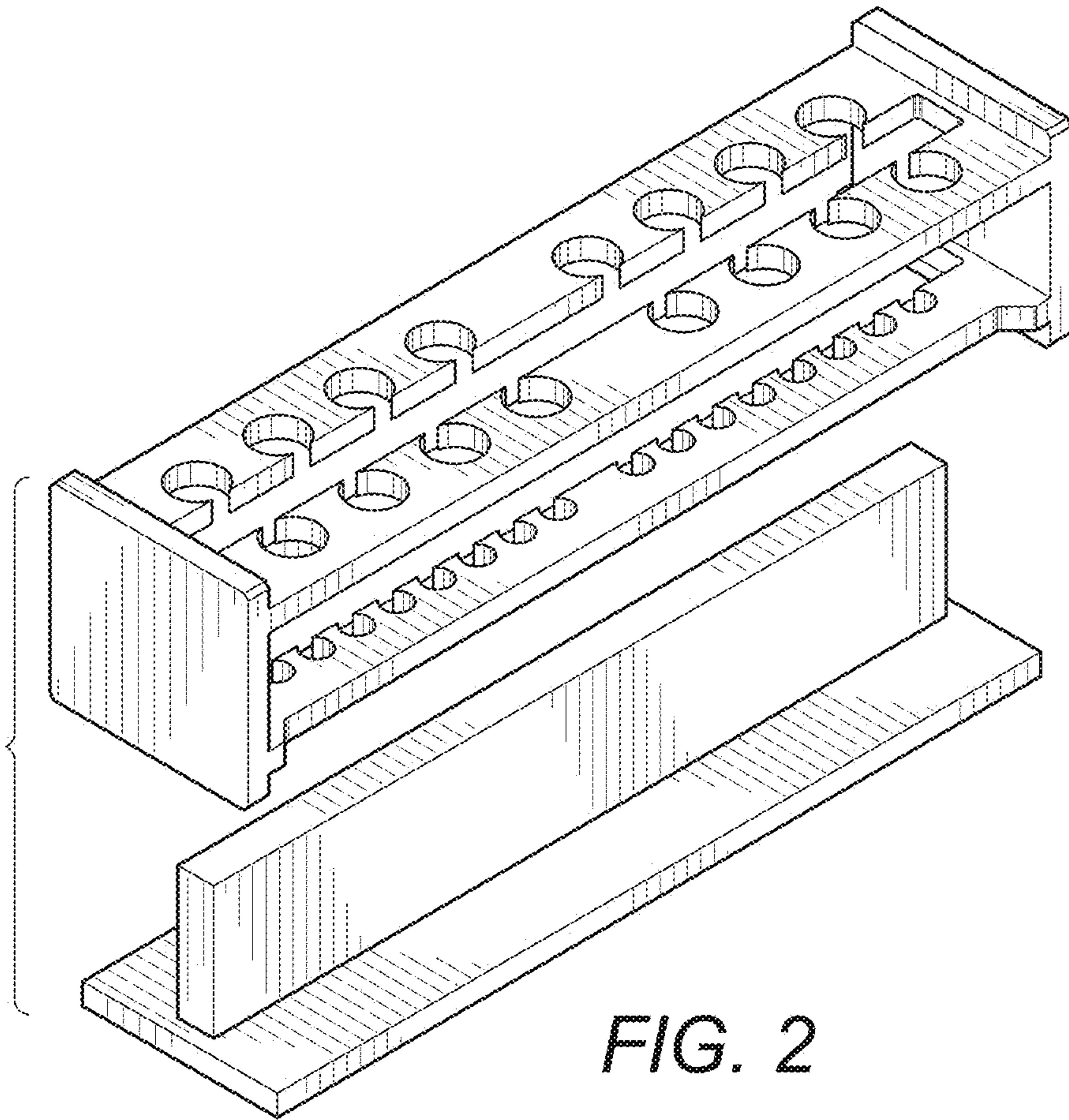
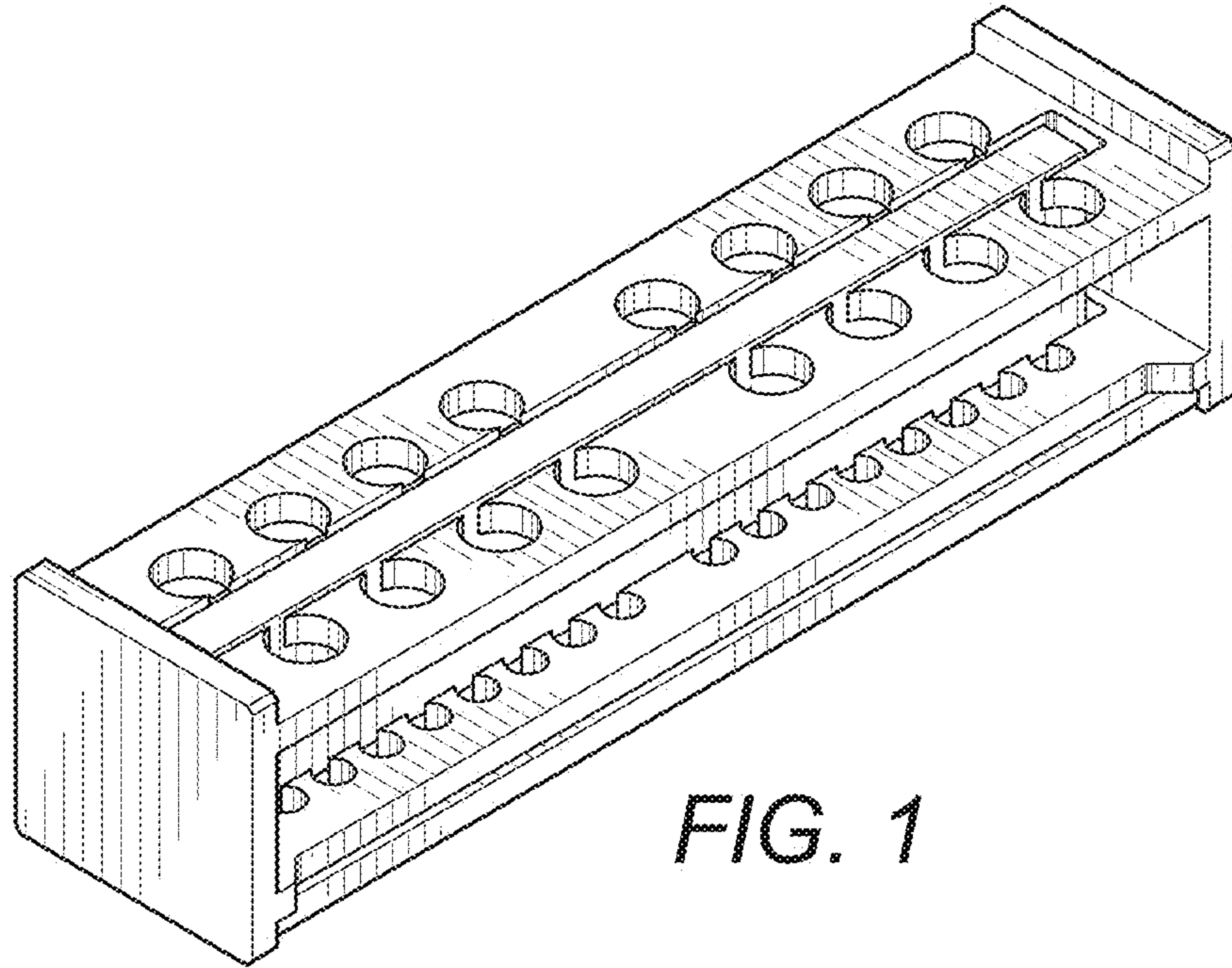
The ornamental design for an invertible magnetic stand for test tubes, as shown and described.

DESCRIPTION

FIG. 1 is an upper perspective view of the invertible magnetic stand for test tubes showing our design;
 FIG. 2 is an exploded perspective view of the stand, showing a magnetic core for creating a magnetic field for test tubes held in a rack portion of the stand;
 FIG. 3 is an exploded side elevation view thereof;
 FIG. 4 is an exploded opposite side elevation view thereof;
 FIG. 5 is a top plan view thereof;
 FIG. 6 is a bottom plan view thereof;
 FIG. 7 is an exploded end elevation view thereof;
 FIG. 8 is an exploded opposite end elevation view thereof;
 and,
 FIG. 9 is another perspective view of invertible magnetic stand for test tubes, showing an alternate, inverted configuration of the rack portion of the stand for use with test tubes of different sizes.

1 Claim, 3 Drawing Sheets





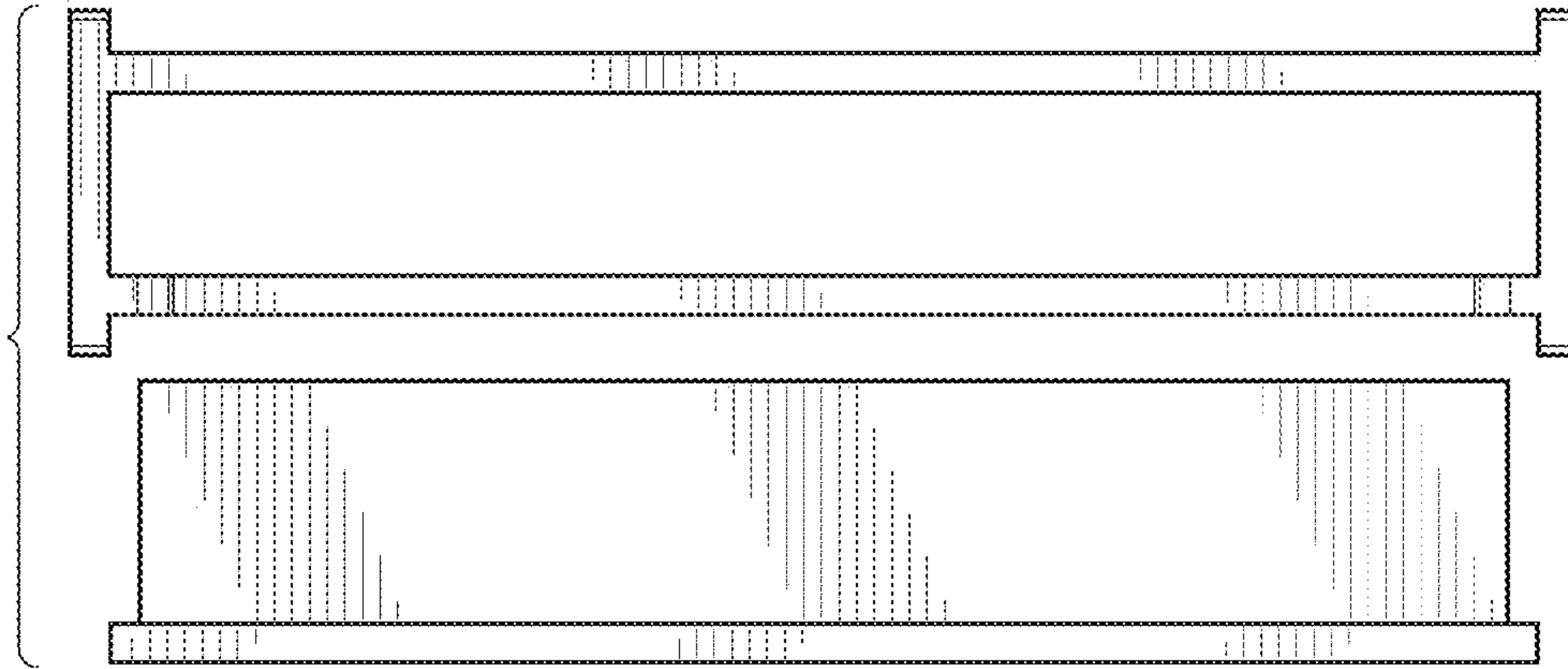


FIG. 3

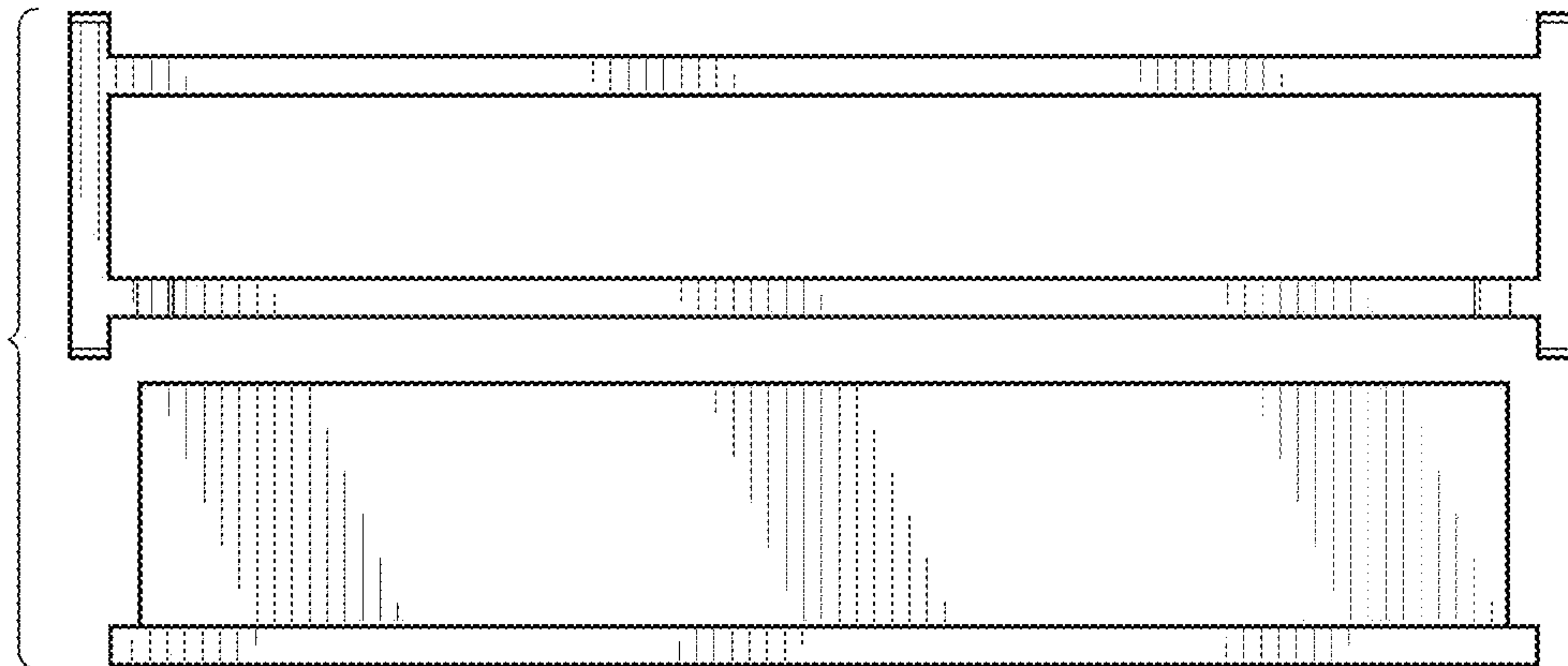


FIG. 4

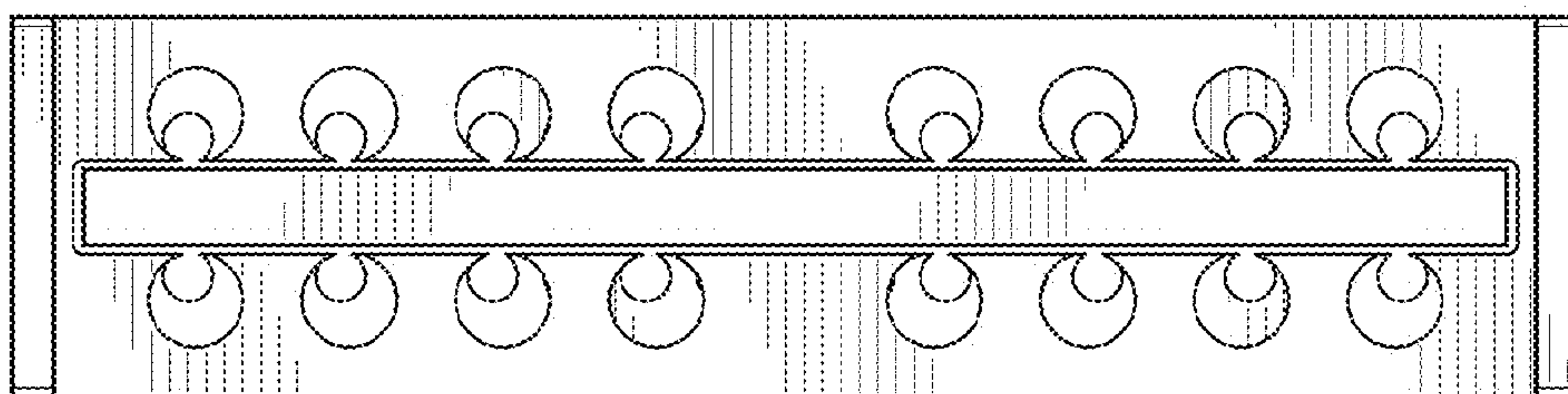


FIG. 5

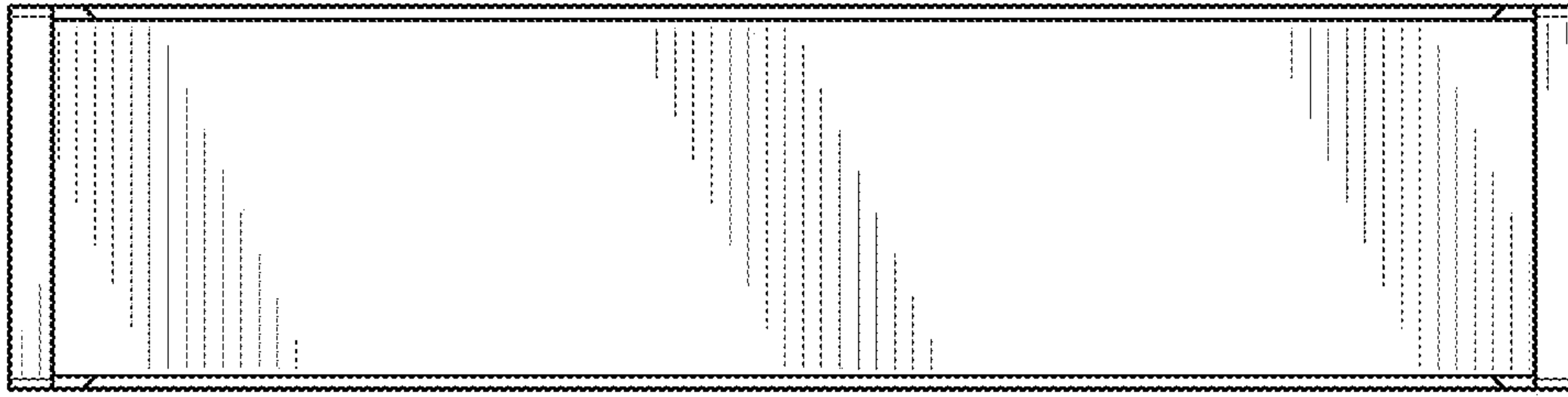


FIG. 6

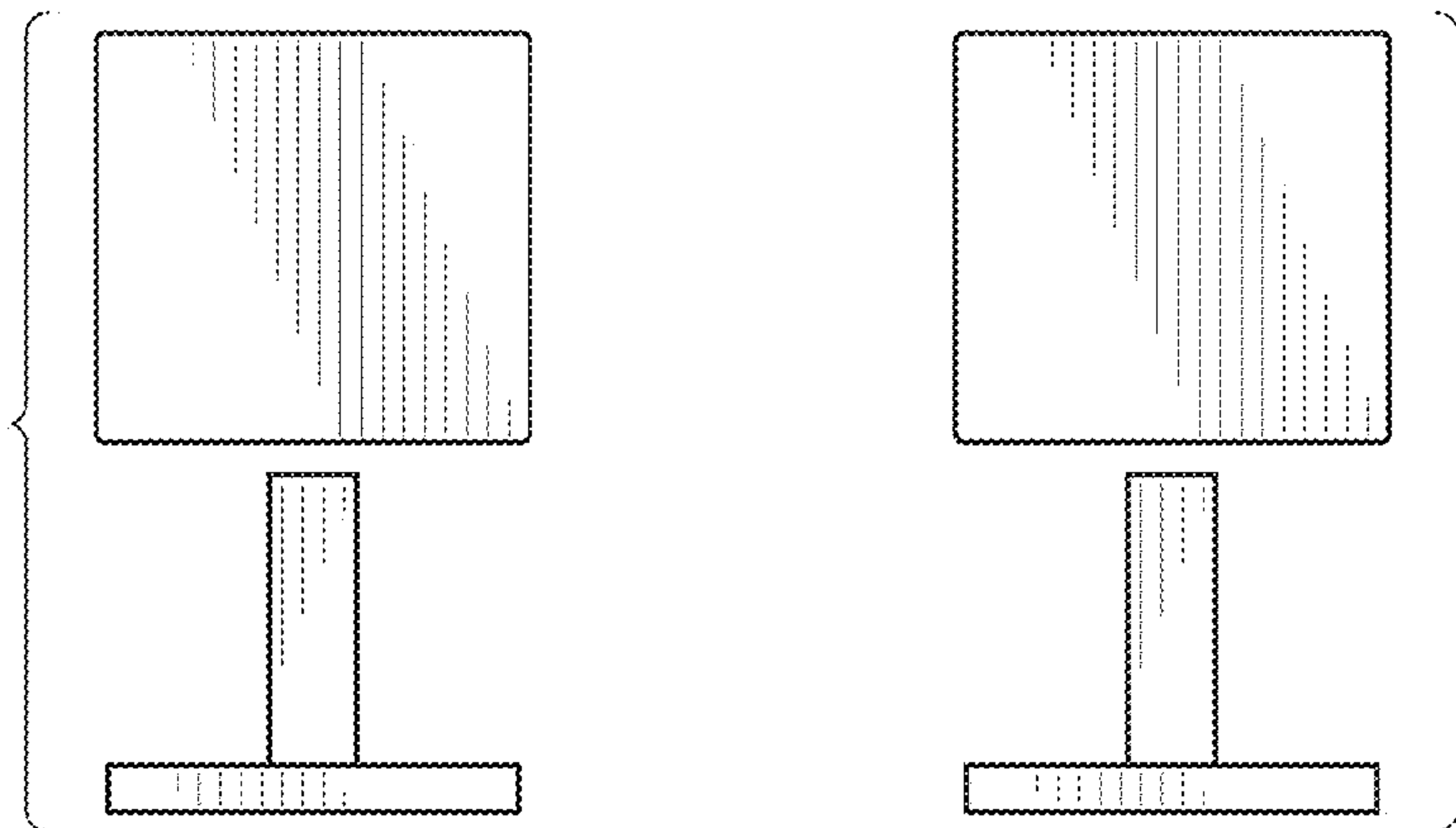


FIG. 7

FIG. 8

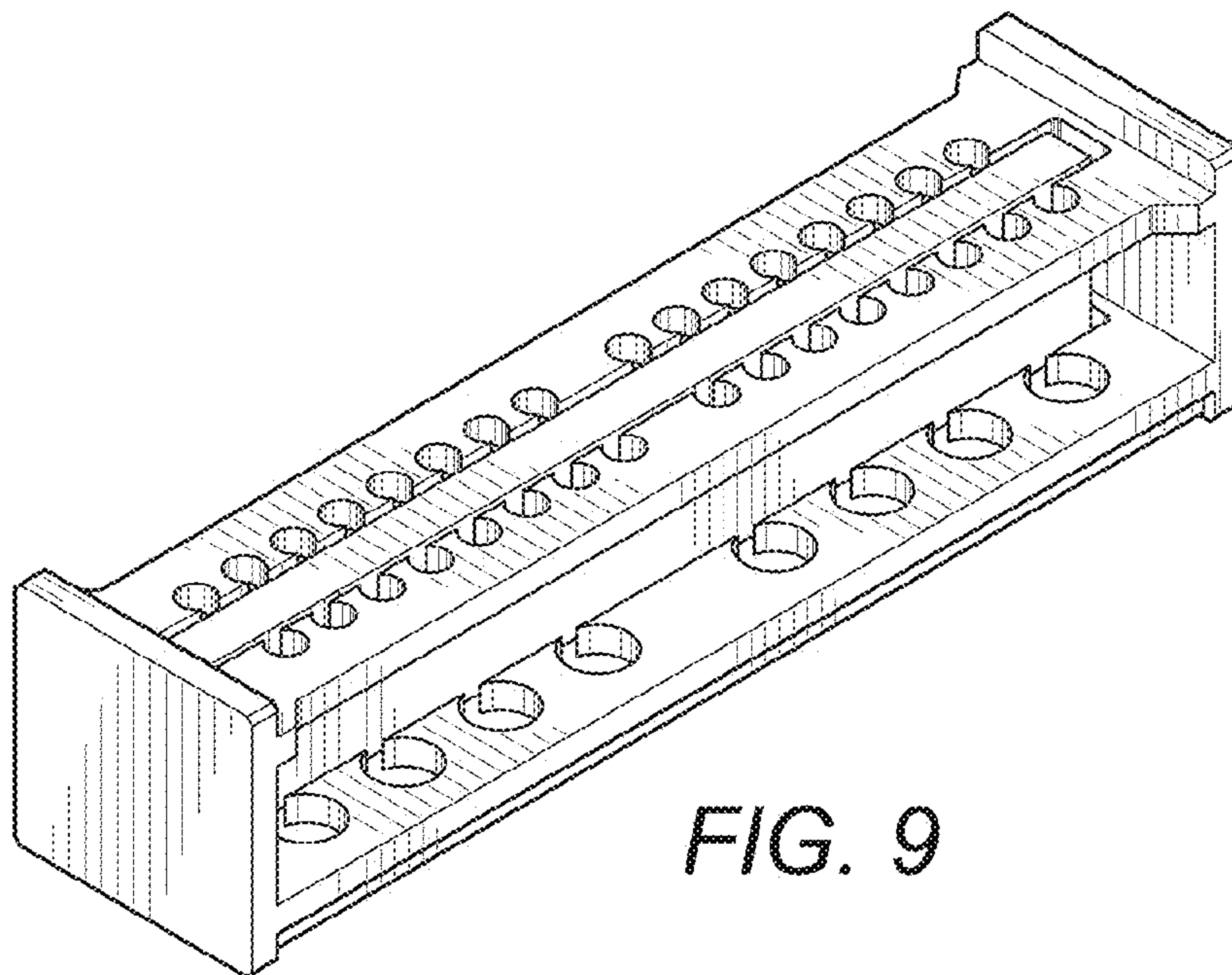


FIG. 9