



US00D683045S

(12) **United States Design Patent**
Domack

(10) **Patent No.:** **US D683,045 S**

(45) **Date of Patent:** **** May 21, 2013**

(54) **MICROSCOPE SLIDE**

(75) **Inventor:** **Thomas E. Domack**, Miami, FL (US)

(73) **Assignee:** **Beckman Coulter, Inc.**, Brea, CA (US)

(**) **Term:** **14 Years**

(21) **Appl. No.:** **29/394,559**

(22) **Filed:** **Jun. 17, 2011**

(51) **LOC (9) Cl.** **24-01**

(52) **U.S. Cl.**
USPC **D24/225**

(58) **Field of Classification Search** D24/216–217,
D24/219, 223–226, 227, 229–231, 232; D10/81;
422/400; 359/396–398; 382/113
See application file for complete search history.

(56) **References Cited**

U.S. PATENT DOCUMENTS

4,190,314	A *	2/1980	Goldsmith	359/397
D274,261	S *	6/1984	Valencia	D24/225
4,624,882	A *	11/1986	Melisz et al.	428/210
5,598,295	A *	1/1997	Olofson	359/398
5,866,241	A *	2/1999	Xiang	356/244

D431,301	S *	9/2000	Fisch	D24/225
D495,806	S *	9/2004	Nørholm	D24/225
8,103,072	B2 *	1/2012	Zahniser et al.	382/133
2004/0263962	A1 *	12/2004	Knittel	359/396
2008/0137185	A1 *	6/2008	Kruczynski et al.	359/397
2012/0183198	A1 *	7/2012	Zahniser et al.	382/133

* cited by examiner

Primary Examiner — Anhdao Doan

(74) *Attorney, Agent, or Firm* — K&L Gates LLP; Louis C. Cullman; Brian J. Novak

(57) **CLAIM**

The ornamental design for a microscope slide, as shown and described.

DESCRIPTION

FIG. 1 is a perspective view of a microscope slide illustrating my new design.

FIG. 2 is a top view of the microscope slide in FIG. 1.

FIG. 3 is a first side view of the microscope slide in FIG. 1.

FIG. 4 is a second side view of the microscope slide in FIG. 1.

FIG. 5 is a front view of the microscope slide in FIG. 1.

FIG. 6 is a back view of the microscope slide in FIG. 1; and,

FIG. 7 is a bottom view of the microscope slide in FIG. 1.

1 Claim, 1 Drawing Sheet

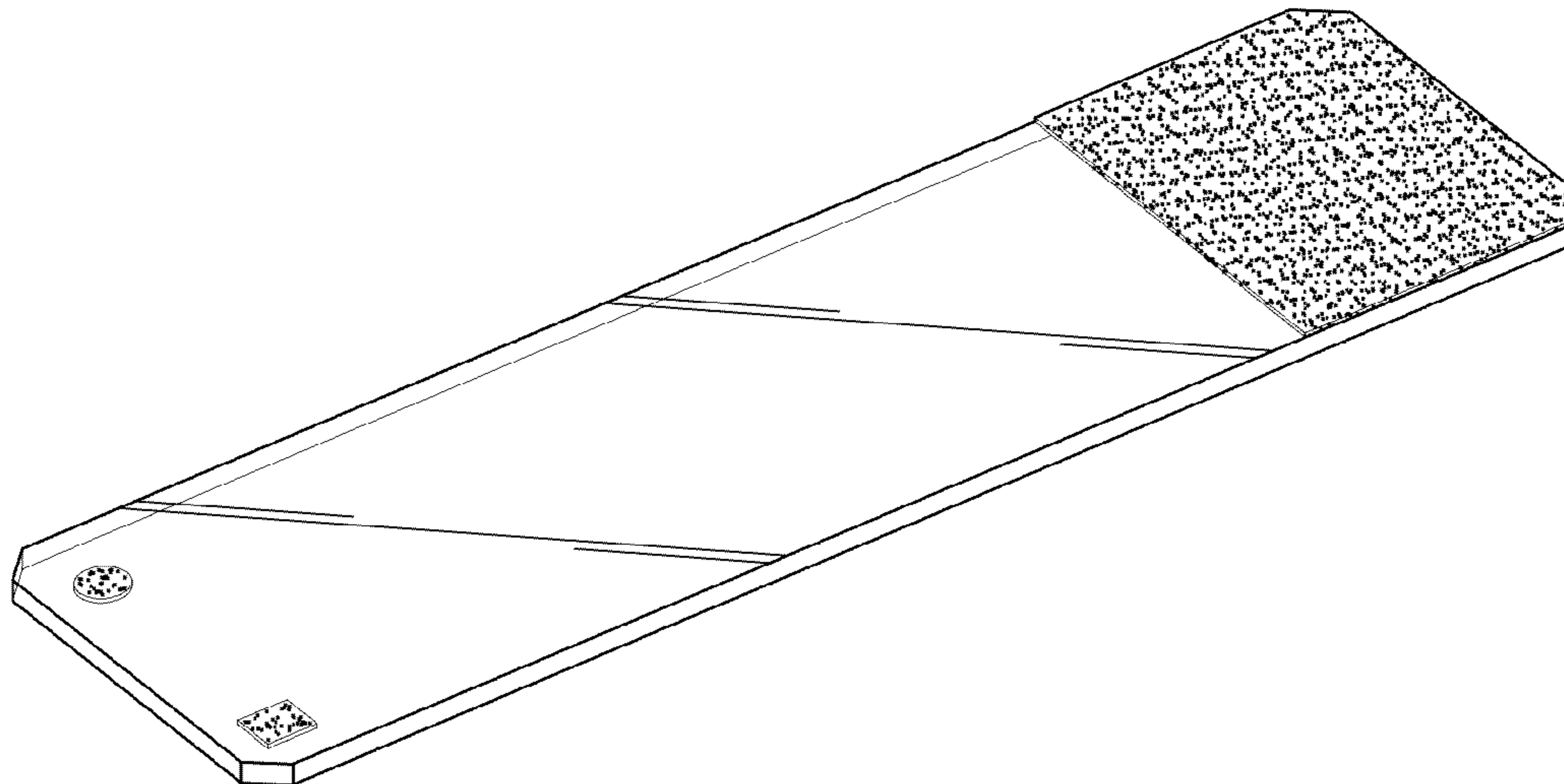


FIG. 1

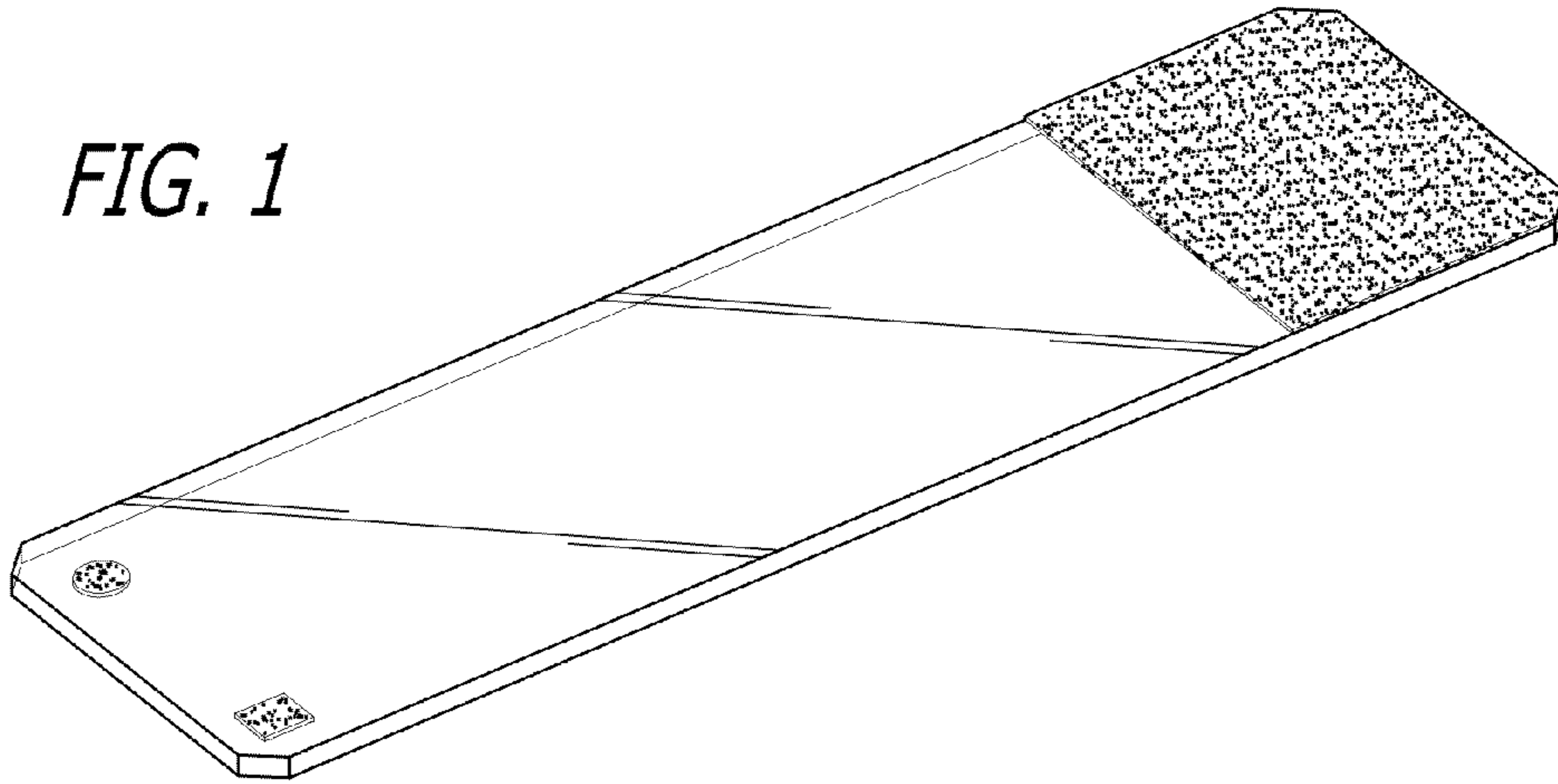


FIG. 2

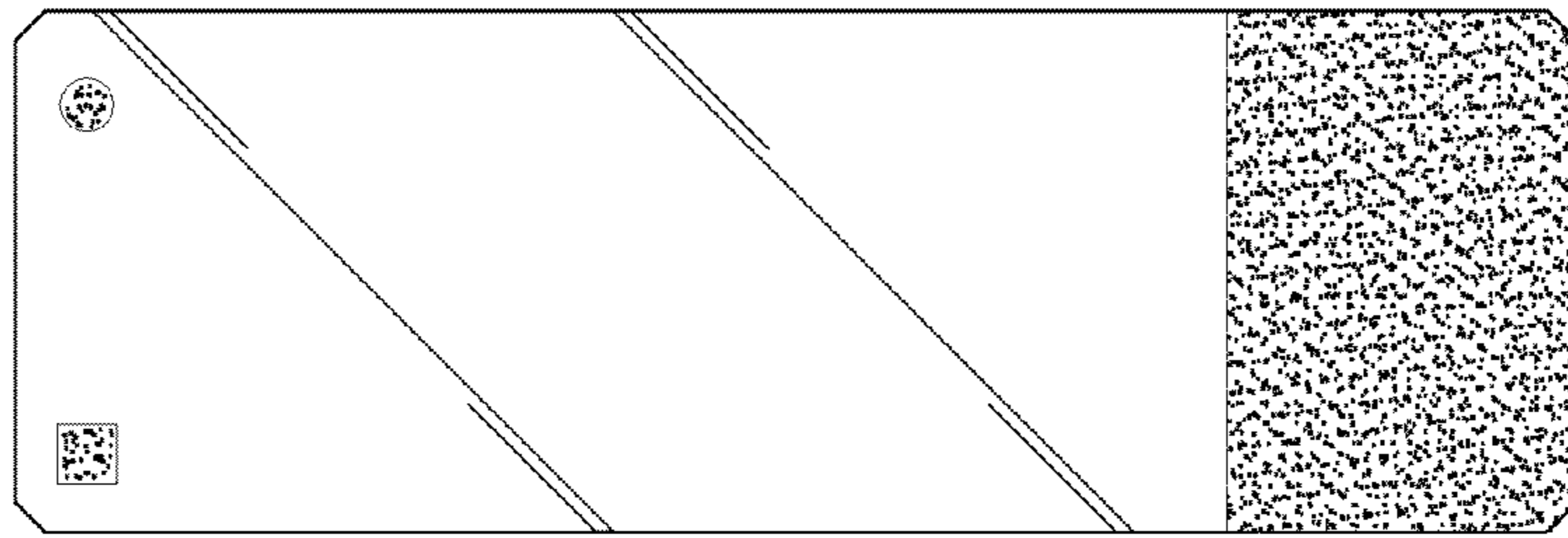


FIG. 3

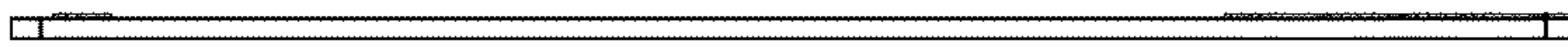


FIG. 4

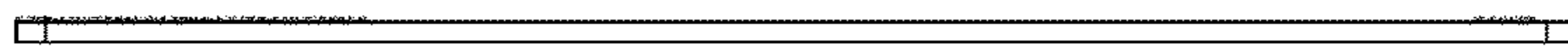


FIG. 6

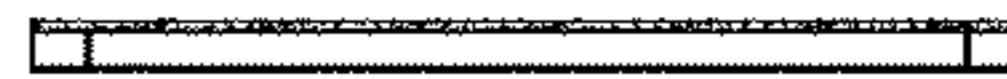


FIG. 5

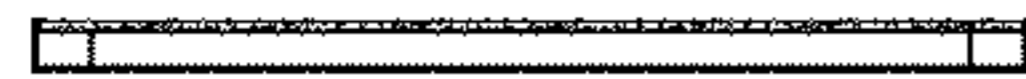


FIG. 7

