



US00D683039S

(12) **United States Design Patent**  
**Larsen et al.**

(10) **Patent No.:** **US D683,039 S**  
(45) **Date of Patent:** **\*\* May 21, 2013**

- (54) **SPA SHELL**
- (71) Applicant: **Watkins Manufacturing Corporation**,  
Vista, CA (US)
- (72) Inventors: **Christopher Carl Larsen**, Vista, CA  
(US); **Sage Nathan Baker**, Cardiff, CA  
(US)
- (73) Assignee: **Watkins Manufacturing Corporation**,  
Vista, CA (US)

D511,837 S	*	11/2005	Loyd	.....	D24/204
D512,152 S	*	11/2005	Loyd	.....	D24/204
D512,780 S	*	12/2005	Loyd	.....	D24/204
D513,325 S	*	12/2005	Loyd	.....	D24/204
D517,697 S		3/2006	Larsen		
D518,180 S	*	3/2006	Loyd	.....	D24/204
D518,181 S	*	3/2006	Loyd	.....	D24/204
D518,896 S		4/2006	Larsen		
D519,213 S	*	4/2006	Loyd	.....	D24/204
D521,154 S	*	5/2006	Loyd	.....	D24/204
D522,662 S	*	6/2006	Loyd	.....	D24/204
D527,828 S		9/2006	Larsen		
D528,663 S	*	9/2006	Loyd	.....	D24/204
D529,182 S	*	9/2006	Loyd	.....	D24/204

(\*\*) Term: **14 Years**

(Continued)

(21) Appl. No.: **29/439,778**

Primary Examiner — David Muller

(22) Filed: **Dec. 14, 2012**

(74) Attorney, Agent, or Firm — Nirav D. Parikh; Lora J. Graentzdoerffer; Edgar A. Zarins

(51) **LOC (9) Cl.** ..... **23-02**

(52) **U.S. Cl.**  
USPC ..... **D24/204**

(58) **Field of Classification Search** ..... D24/201,  
D24/204, 205; D23/277, 278, 276, 280.1–280.3;  
601/154–158; 4/541.1–541.6, 547, 578.1,  
4/579

See application file for complete search history.

(57) **CLAIM**

The ornamental design for a spa shell, as shown and described.

**DESCRIPTION**

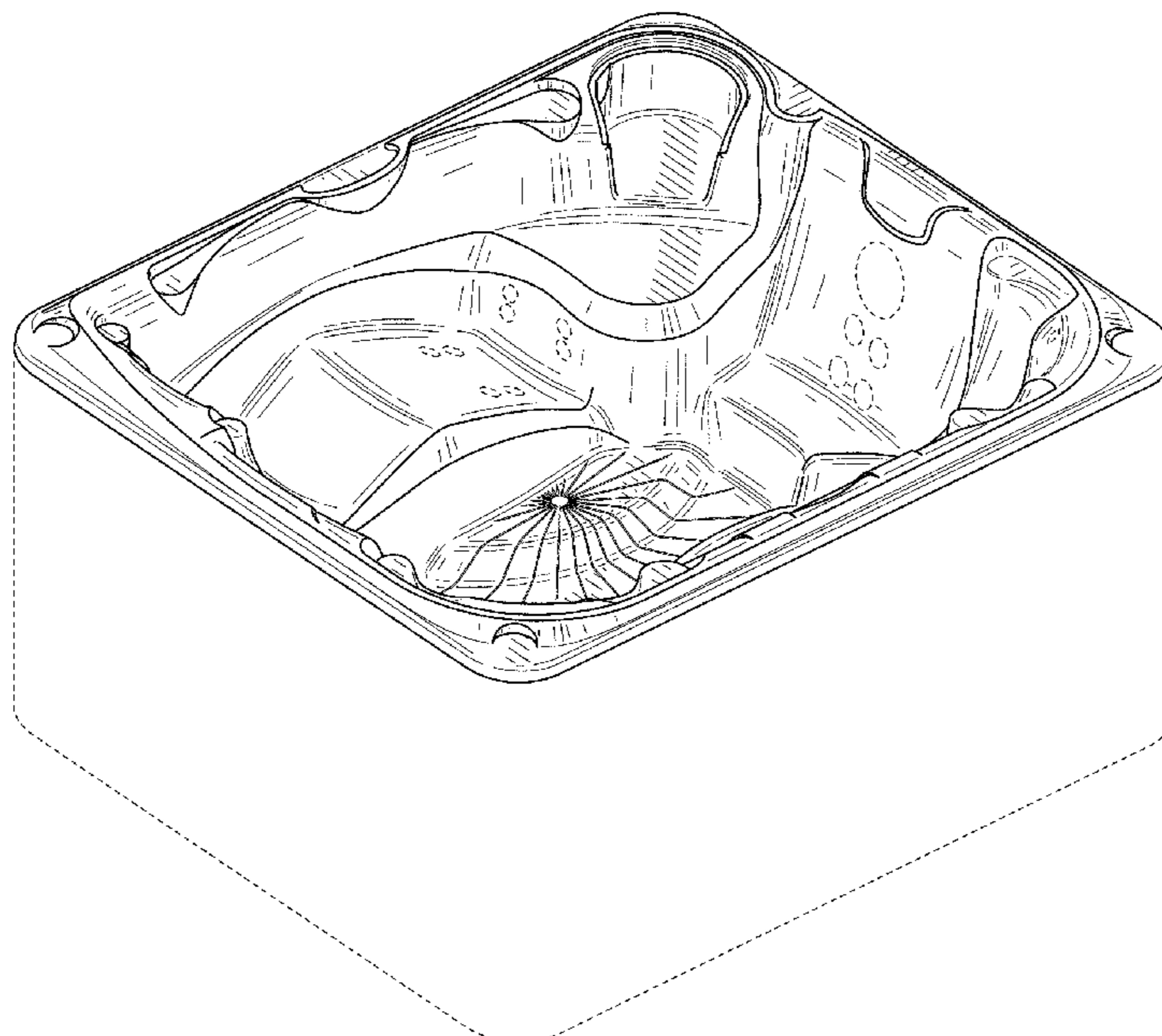
FIG. 1 is a perspective view of a spa shell showing our design;  
 FIG. 2 is a perspective view thereof;  
 FIG. 3 is a top plan view thereof;  
 FIG. 4 is a cross-sectional view taken along 4-4 of FIG. 3;  
 FIG. 5 is a cross-sectional view taken along 5-5 of FIG. 3;  
 FIG. 6 is a cross-sectional view taken along 6-6 of FIG. 3;  
 FIG. 7 is a cross-sectional view taken along 7-7 of FIG. 3;  
 FIG. 8 is a cross-sectional view taken along 8-8 of FIG. 3;  
 and,  
 FIG. 9 is a cross-sectional view taken along 9-9 of FIG. 3.  
 The broken-line disclosure in the views represents portions of the article in which the claimed design is embodied, but which form no part of the claimed design.

(56) **References Cited**

**U.S. PATENT DOCUMENTS**

D431,297 S	9/2000	Larsen et al.
D436,178 S	1/2001	Larsen et al.
D445,904 S	7/2001	Larsen
D446,309 S	8/2001	Bower
D446,310 S	8/2001	Bower
D446,862 S	8/2001	Larsen et al.
D463,028 S	9/2002	Bower
D463,569 S	9/2002	Bower
D465,576 S	11/2002	Larsen
D496,107 S	9/2004	Larsen

**1 Claim, 9 Drawing Sheets**



# US D683,039 S

Page 2

---

## U.S. PATENT DOCUMENTS

D531,729 S	11/2006	Larsen		D620,599 S	7/2010	Larsen et al.
D531,731 S	11/2006	Larsen		D620,600 S	7/2010	Larsen et al.
D542,416 S	5/2007	Larsen		D621,946 S	8/2010	Larsen et al.
D542,417 S	5/2007	Larsen		D621,947 S	8/2010	Larsen et al.
D542,925 S	5/2007	Larsen		D624,657 S	9/2010	Larsen et al.
D543,282 S	5/2007	Larsen		D628,302 S	11/2010	Larsen et al.
D543,283 S	5/2007	Larsen		D634,019 S	3/2011	Larsen et al.
D550,371 S	9/2007	Larsen		D634,020 S	3/2011	Larsen et al.
D551,357 S	* 9/2007	Loyd .....	D24/204	D634,021 S	3/2011	Larsen et al.
D552,746 S	* 10/2007	Loyd .....	D24/204	D641,486 S	7/2011	Larsen et al.
D577,943 S	10/2008	Larsen		D641,487 S	7/2011	Larsen et al.
D589,624 S	3/2009	Larsen		D641,889 S	7/2011	Larsen et al.
D590,951 S	4/2009	Larsen		D643,538 S	8/2011	Larsen et al.
D600,816 S	9/2009	Larsen		D643,539 S	8/2011	Larsen et al.
D601,263 S	9/2009	Larsen		D644,335 S	8/2011	Larsen et al.
D611,612 S	3/2010	Nering		D649,256 S	11/2011	Larsen et al.
D616,104 S	5/2010	Larsen et al.		D657,881 S	4/2012	Larsen et al.
D616,105 S	5/2010	Larsen et al.		D657,882 S	4/2012	Larsen et al.
D616,106 S	5/2010	Larsen et al.		D657,883 S	4/2012	Larsen et al.
D616,999 S	6/2010	Larsen et al.				

\* cited by examiner

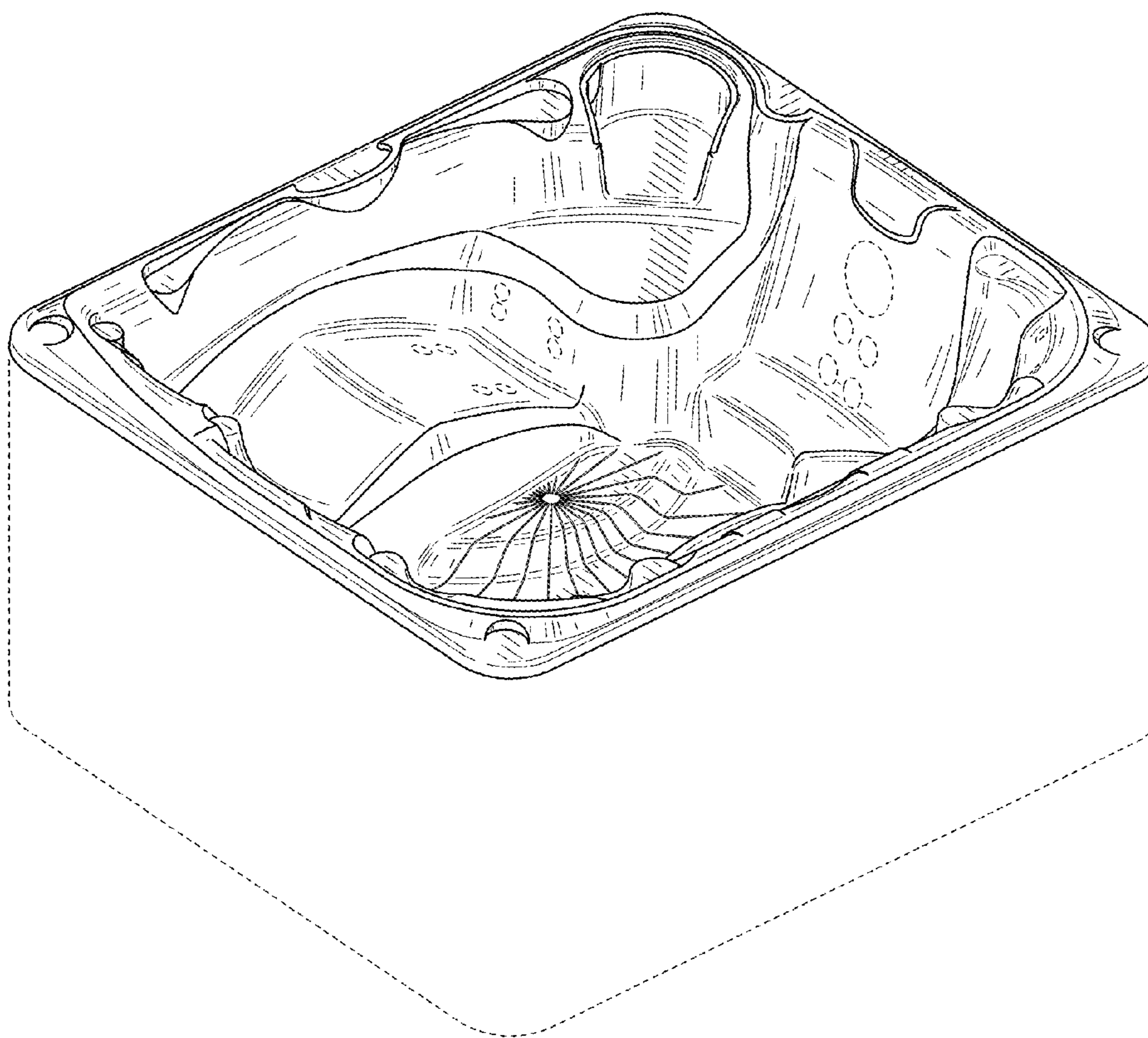


FIG. 1

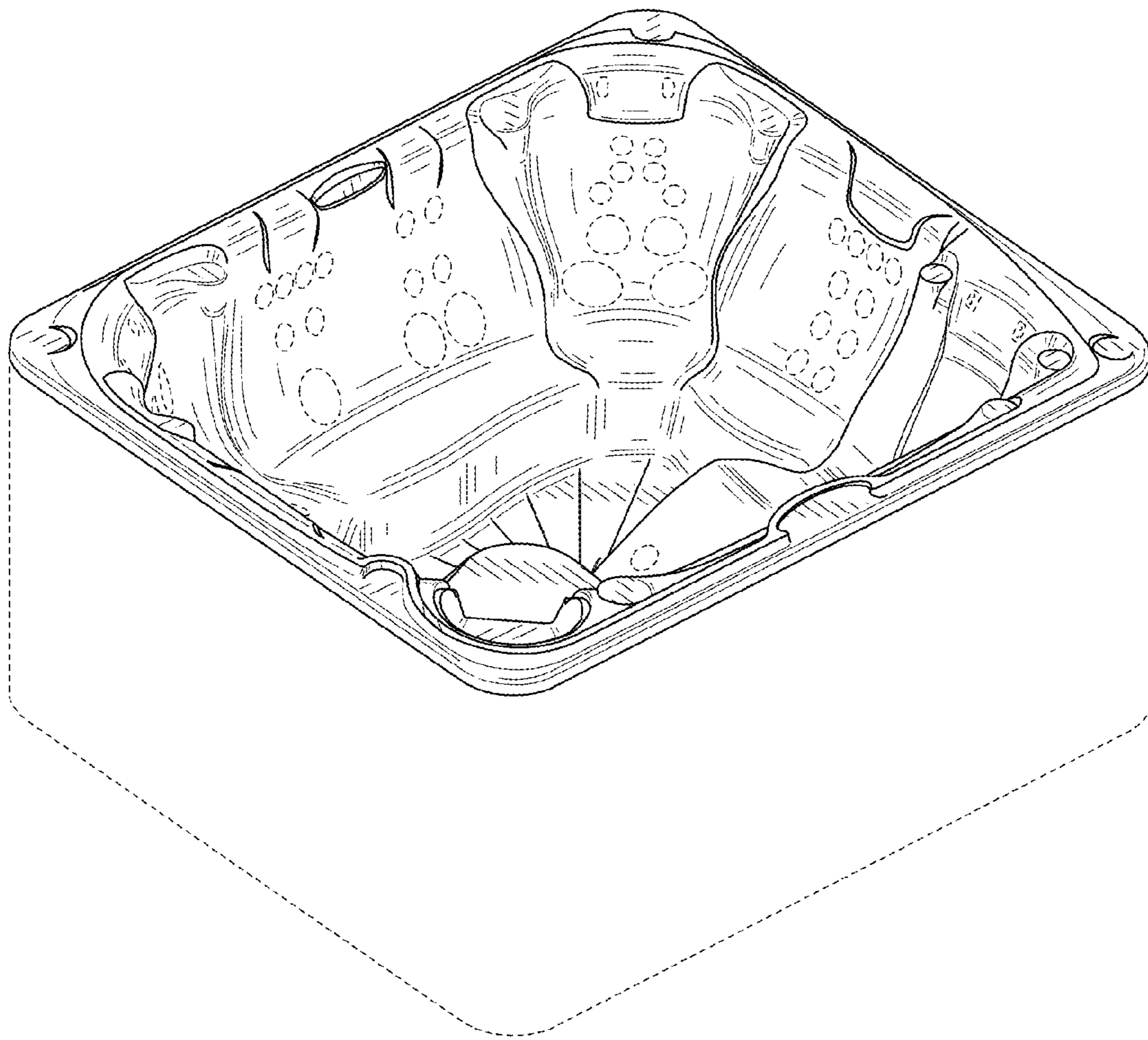


FIG. 2

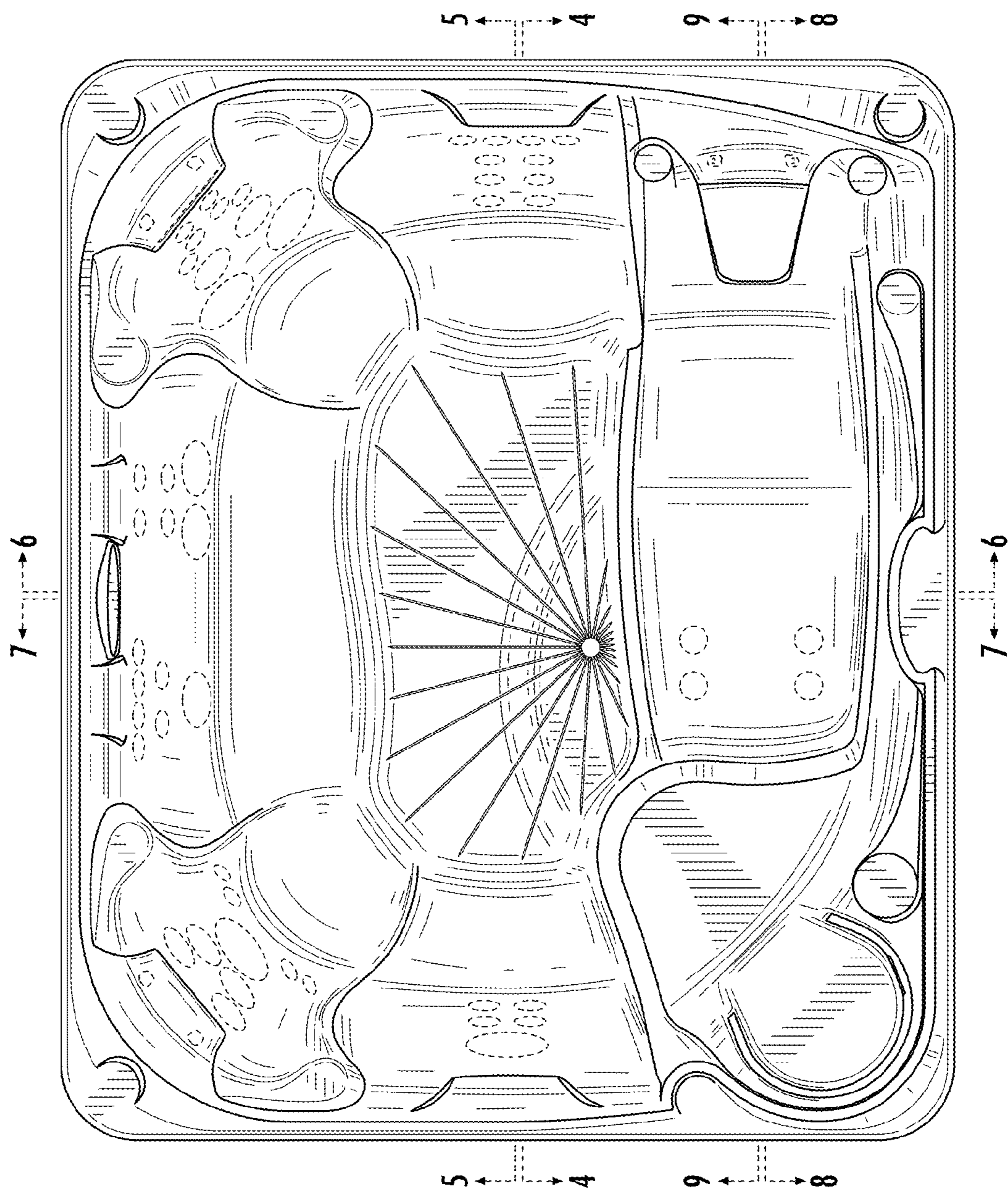
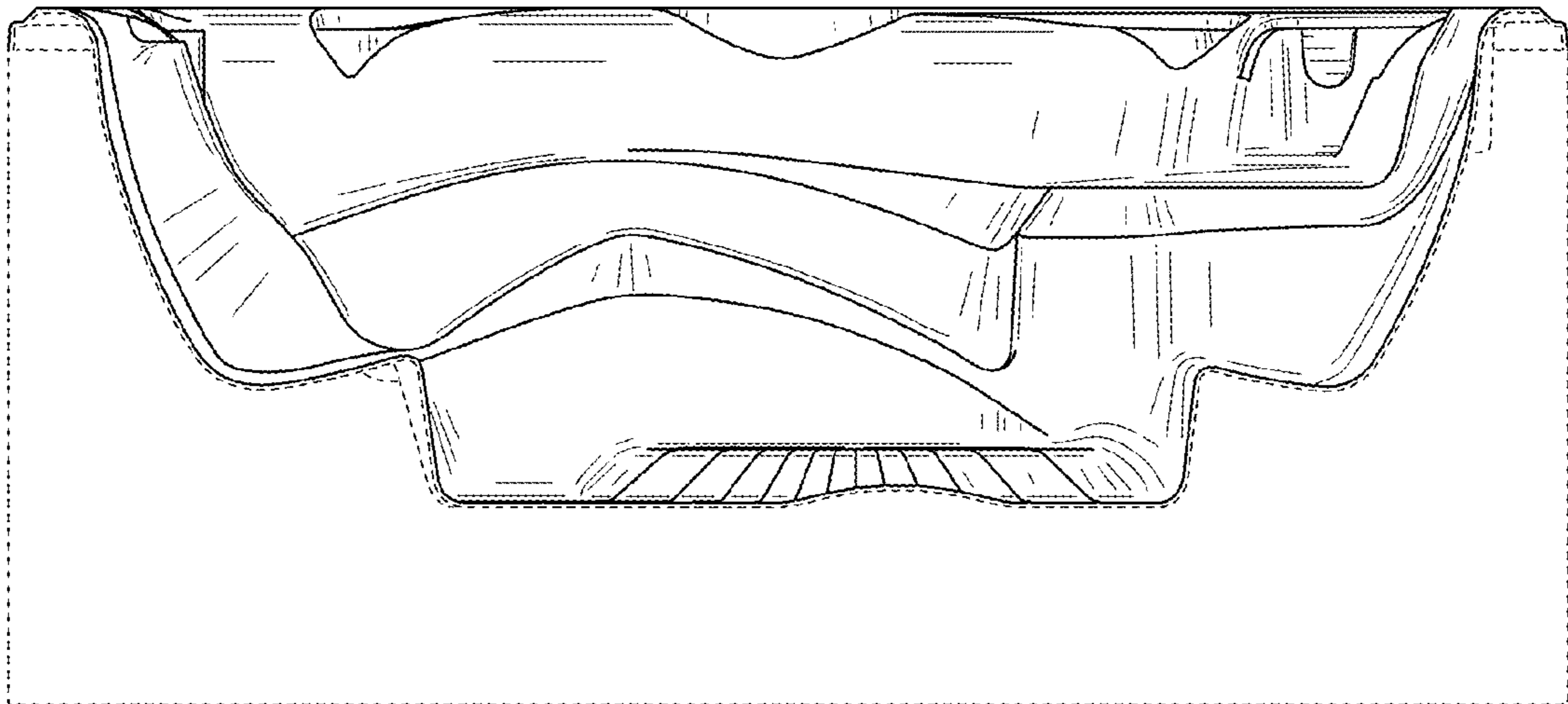


FIG. 3



**FIG. 4**

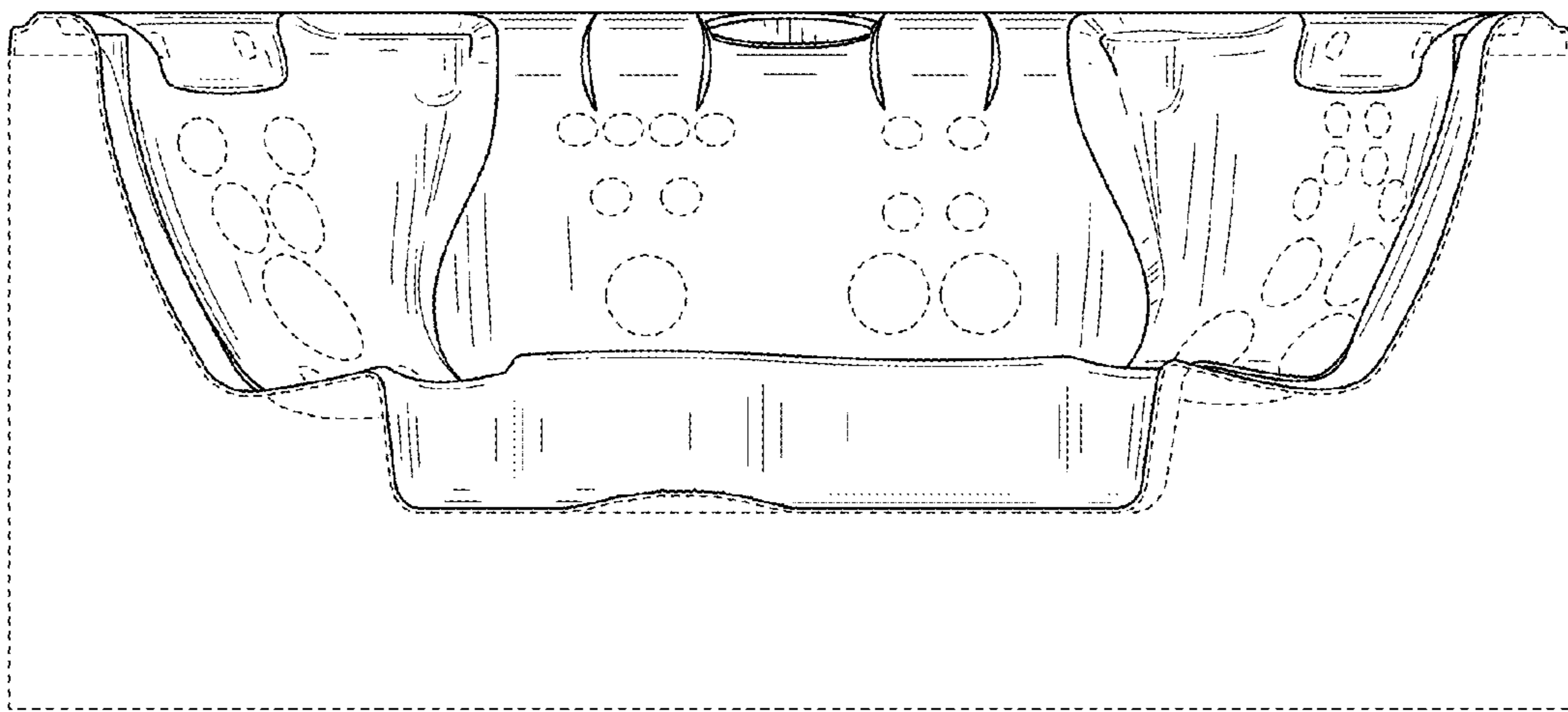
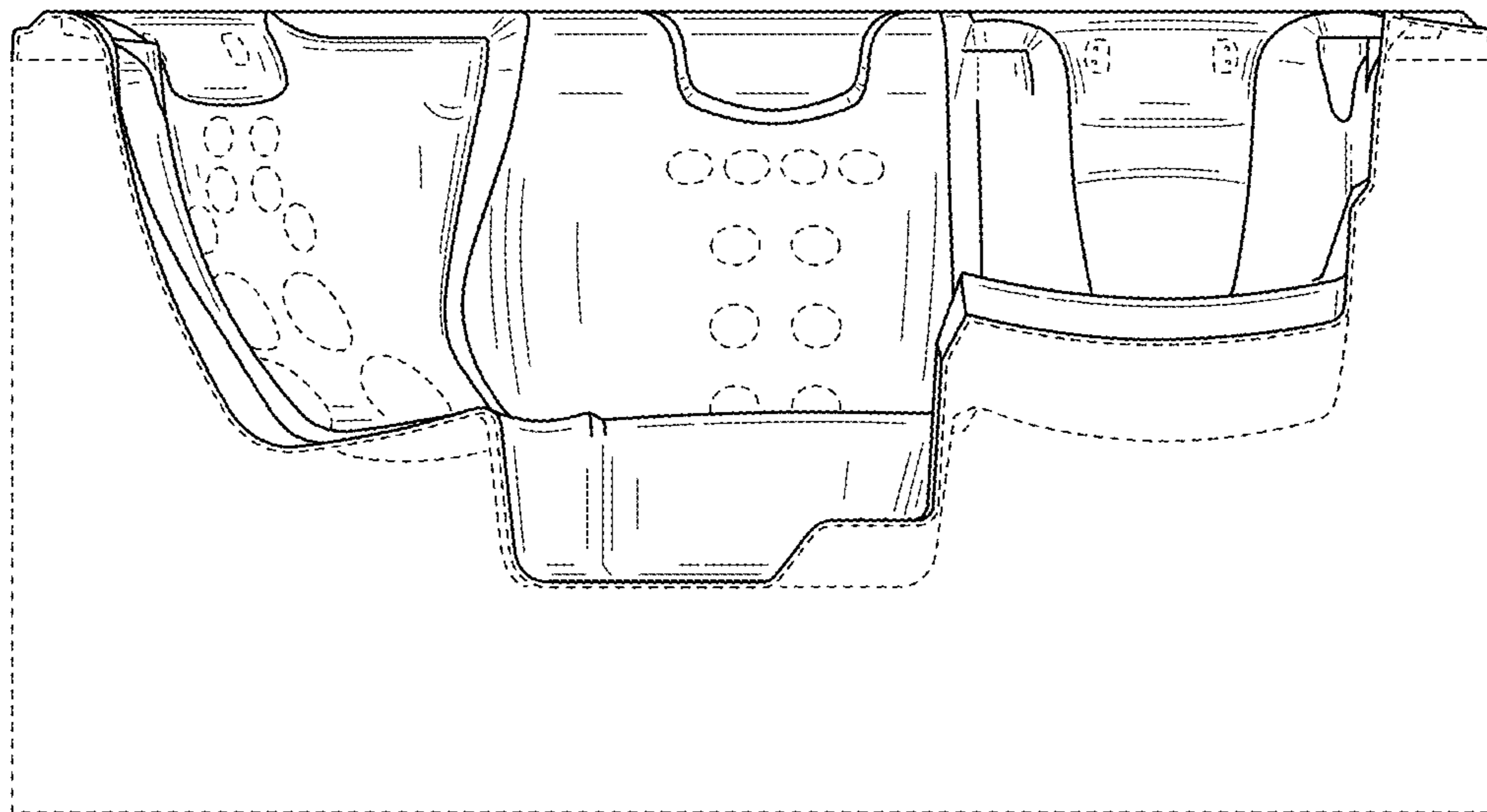
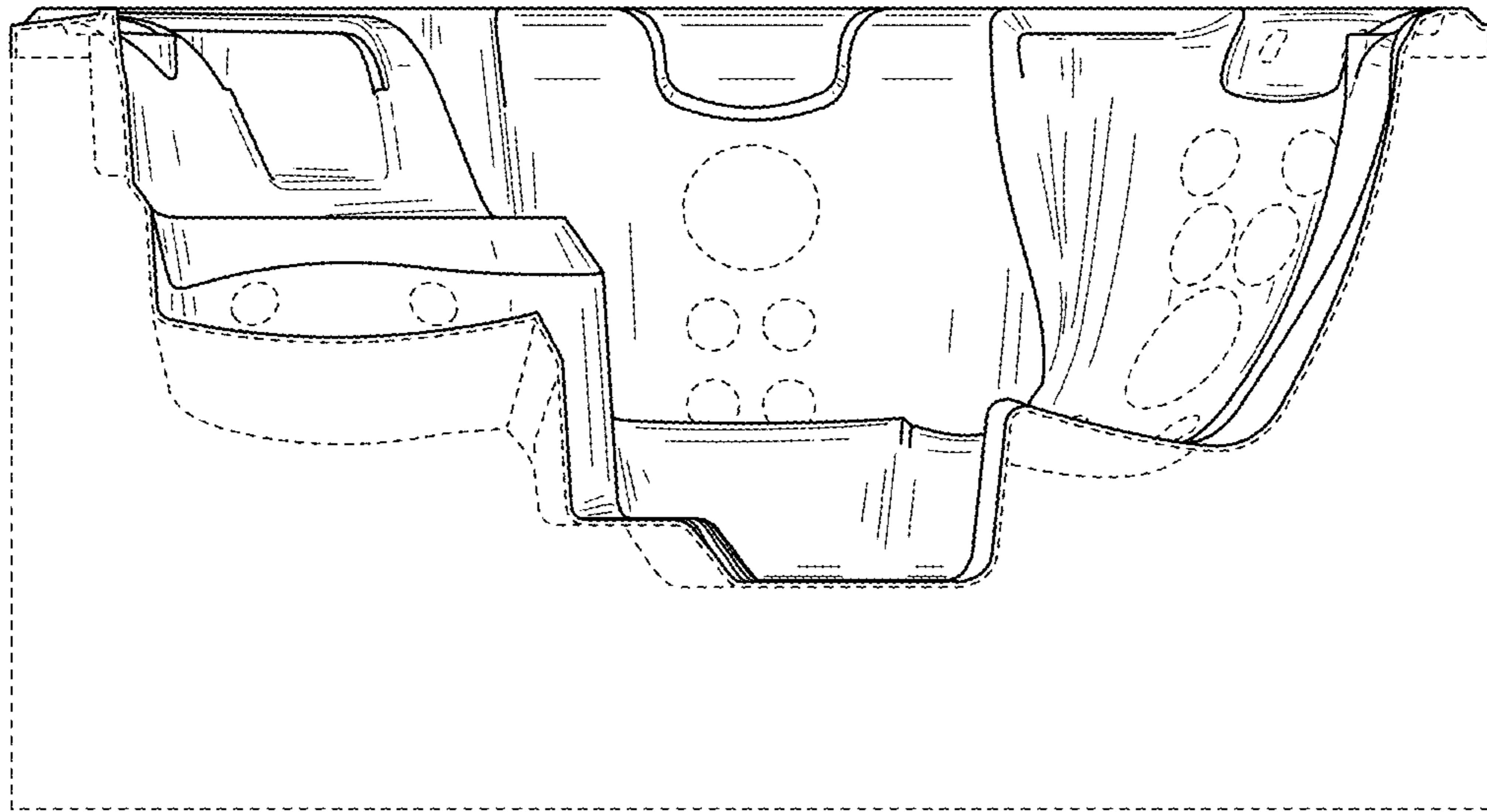


FIG. 5

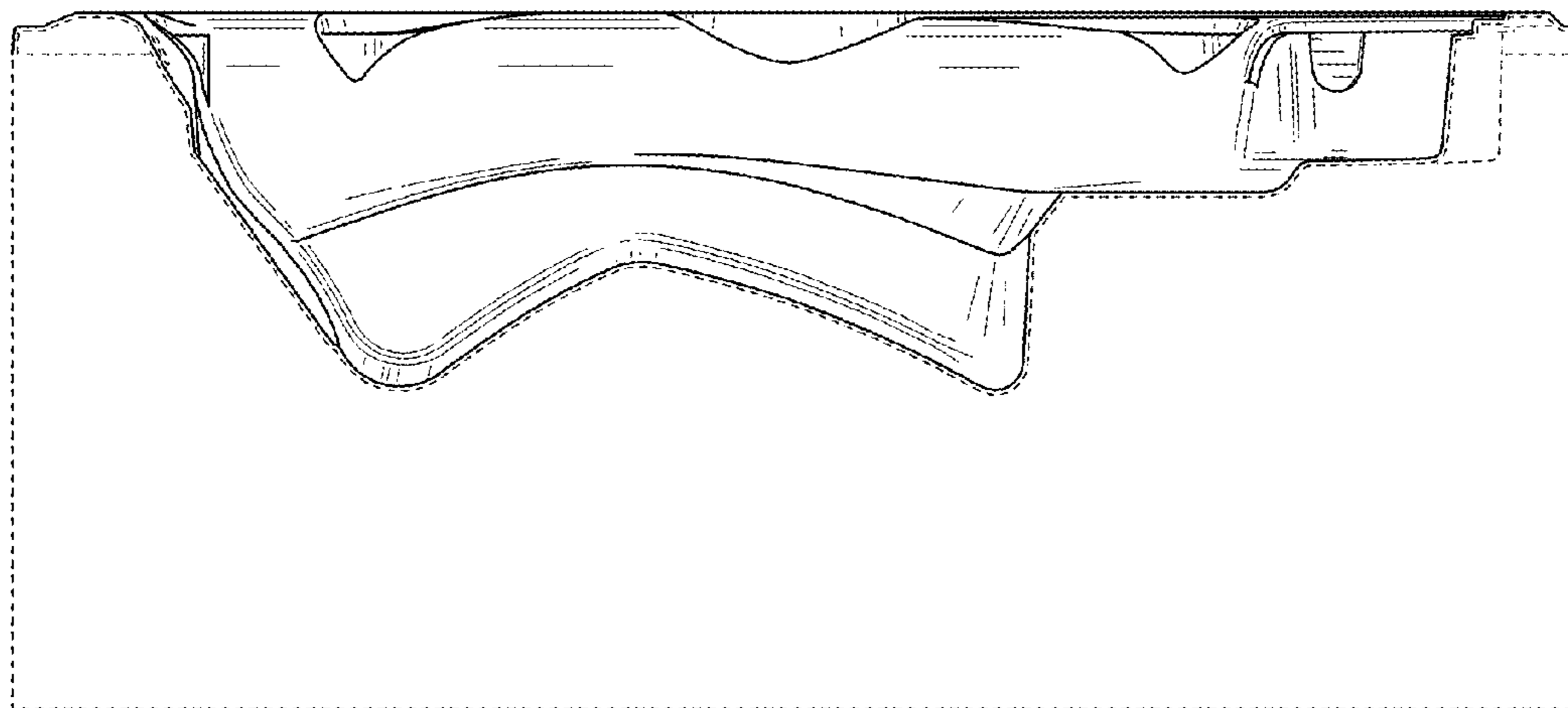


**FIG. 6**





**FIG. 7**



**FIG. 8**

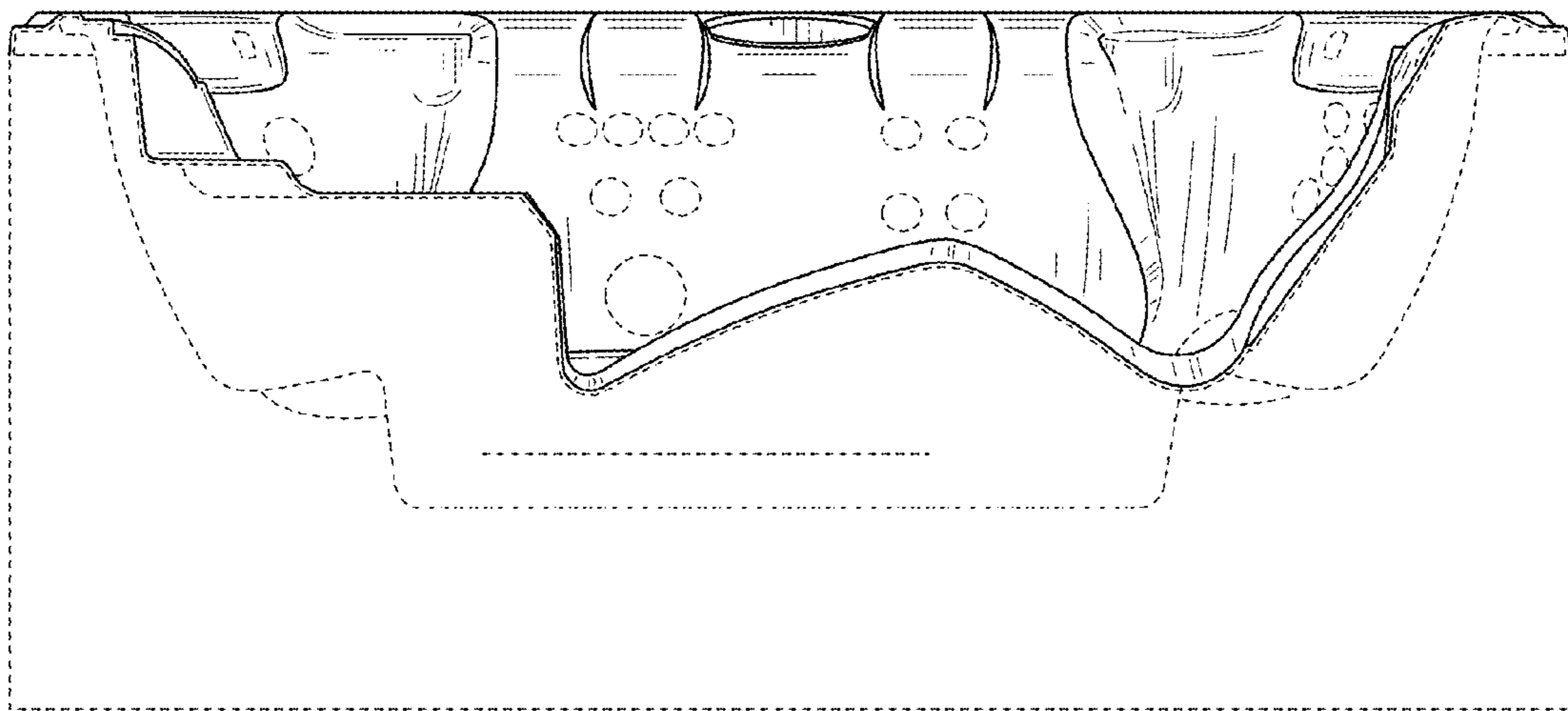


FIG. 9