



US00D683032S

(12) **United States Design Patent**
Sharps

(10) **Patent No.:** **US D683,032 S**

(45) **Date of Patent:** **** May 21, 2013**

- (54) **TORSO-SUPPORT APPARATUS**
- (75) Inventor: **Lewis Sharps, Bryn Mawr, PA (US)**
- (73) Assignee: **Operating Room Safety Enterprises, LLC, Berwyn, PA (US)**
- (**) Term: **14 Years**
- (21) Appl. No.: **29/412,784**
- (22) Filed: **Feb. 7, 2012**

D344,802 S *	3/1994	Kuck et al.	D24/183
6,076,525 A *	6/2000	Hoffman	128/845
6,428,497 B1 *	8/2002	Crouch	602/32
6,622,324 B2 *	9/2003	VanSteenburg et al.	5/621
7,600,281 B2 *	10/2009	Skripps	5/621
D604,422 S *	11/2009	Albrecht et al.	D24/183

* cited by examiner

Primary Examiner — T. Chase Nelson

Assistant Examiner — Mark Cavanna

(74) *Attorney, Agent, or Firm* — Offit Kurman, P.A.; Robert R. Axenfeld

Related U.S. Application Data

- (63) Continuation-in-part of application No. 29/386,121, filed on Feb. 24, 2011, now Pat. No. Des. 663,427.
- (51) **LOC (9) Cl.** **24-01**
- (52) **U.S. Cl.**
USPC **D24/184**
- (58) **Field of Classification Search**
USPC D24/183–184, 171; D6/360, 392; 5/600, 5/608, 610, 613–614, 621–624, 632; 602/32; 128/845–846; 606/242
See application file for complete search history.

(57) **CLAIM**

The ornamental design for a torso-support apparatus, as shown and described.

DESCRIPTION

This application relates to U.S. application Ser. No. 29/412,782, filed concurrently herewith; naming Lewis Sharps as the inventor, and entitled “Torso-Support Apparatus”.

FIG. 1 is a top-perspective-left-side view of an example torso-support apparatus;

FIG. 2 is a rear view thereof;

FIG. 3 is a front view thereof;

FIG. 4 is a left-side view thereof;

FIG. 5 is a right-side view thereof;

FIG. 6 is a bottom view thereof; and,

FIG. 7 is a top view thereof.

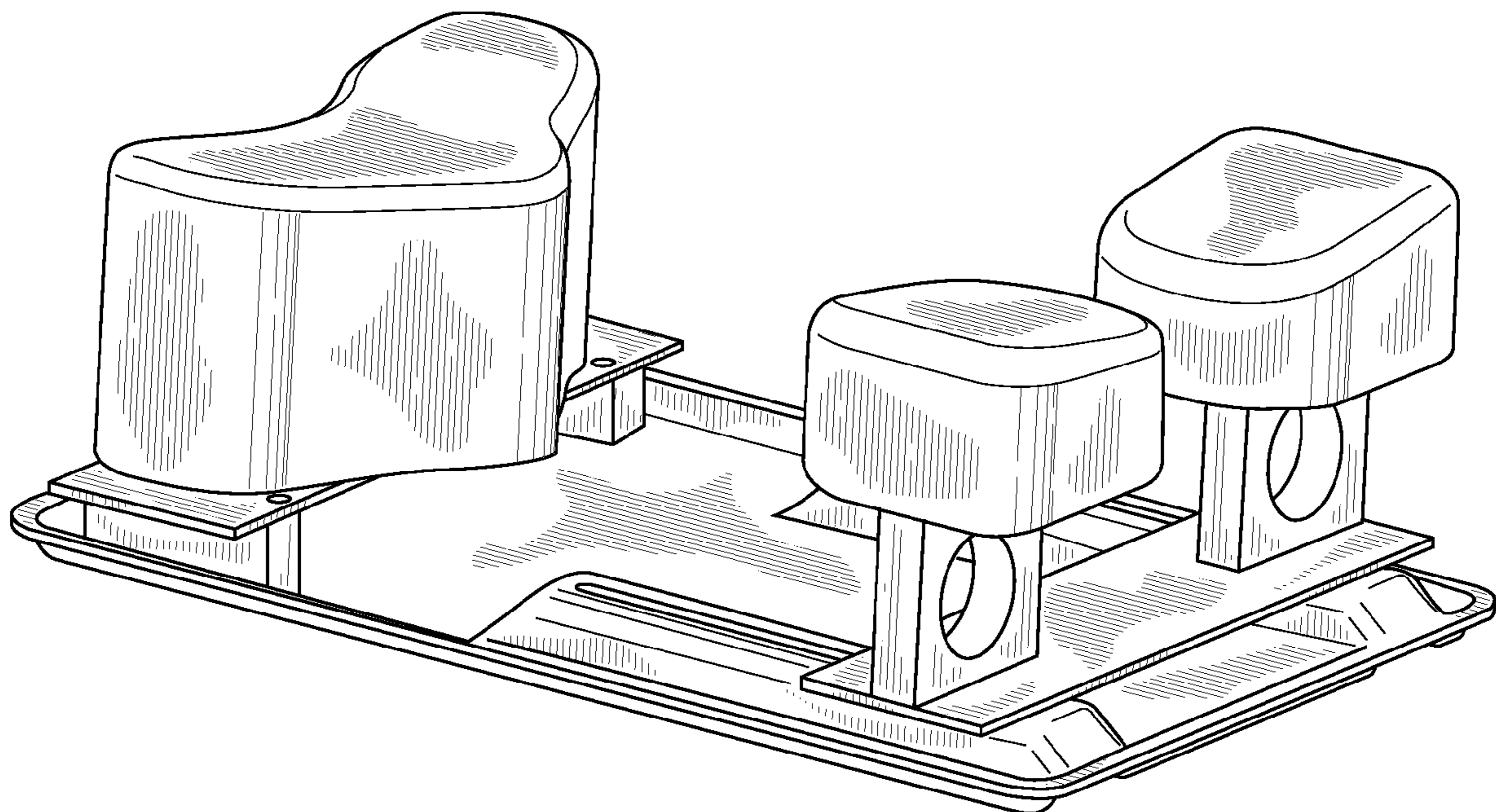
The broken lines showing the torso-support apparatus, or portion thereof, are not a part of the claimed design.

(56) **References Cited**

U.S. PATENT DOCUMENTS

D248,406 S *	7/1978	Hodge	D24/183
4,354,485 A *	10/1982	Safadago	606/242
4,827,541 A *	5/1989	Vollman et al.	5/613
D304,614 S *	11/1989	Guttormsen	D24/183
D320,663 S *	10/1991	Brann	D24/183
5,088,706 A *	2/1992	Jackson	5/608

1 Claim, 4 Drawing Sheets



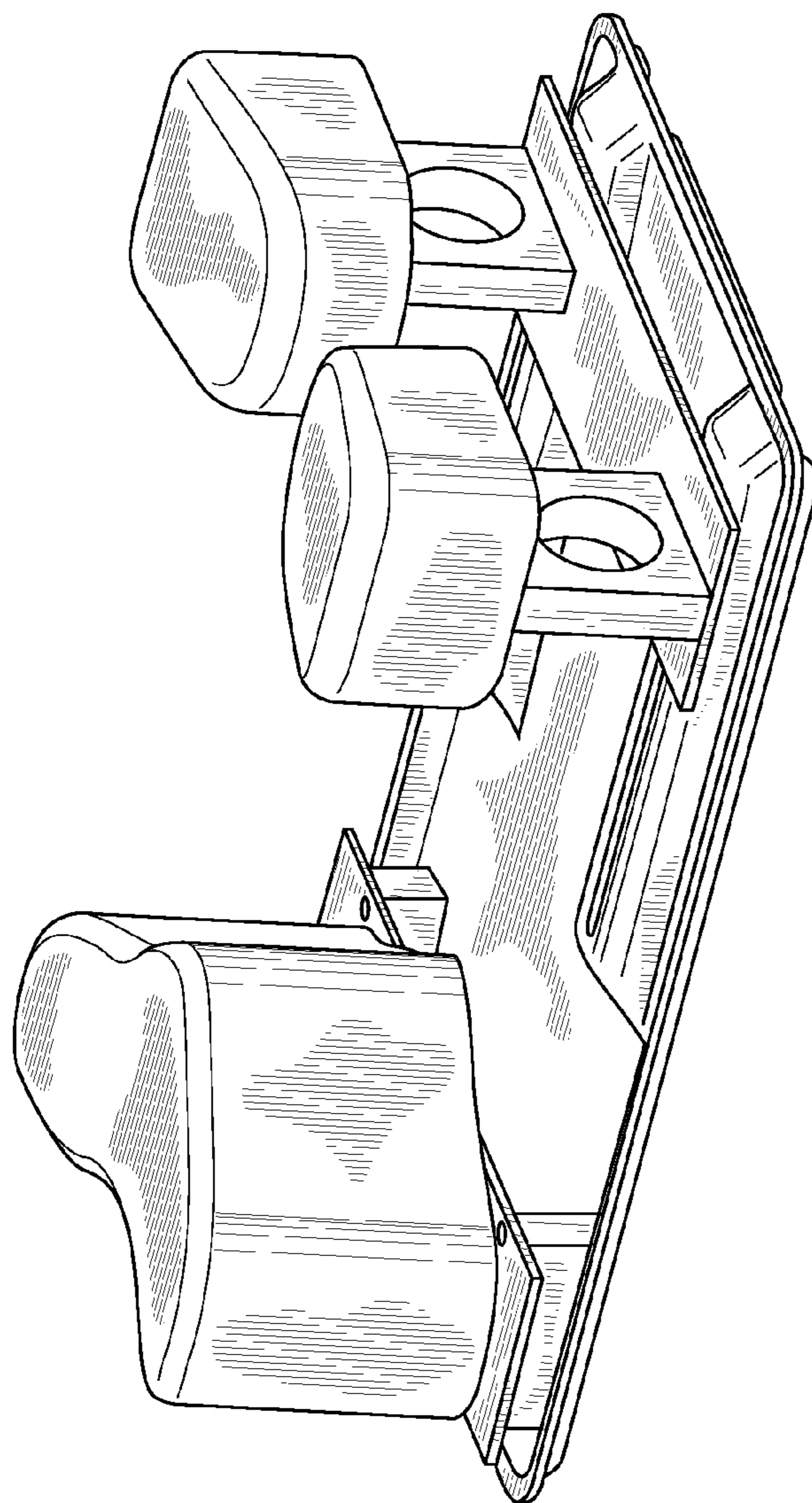


FIG. 1

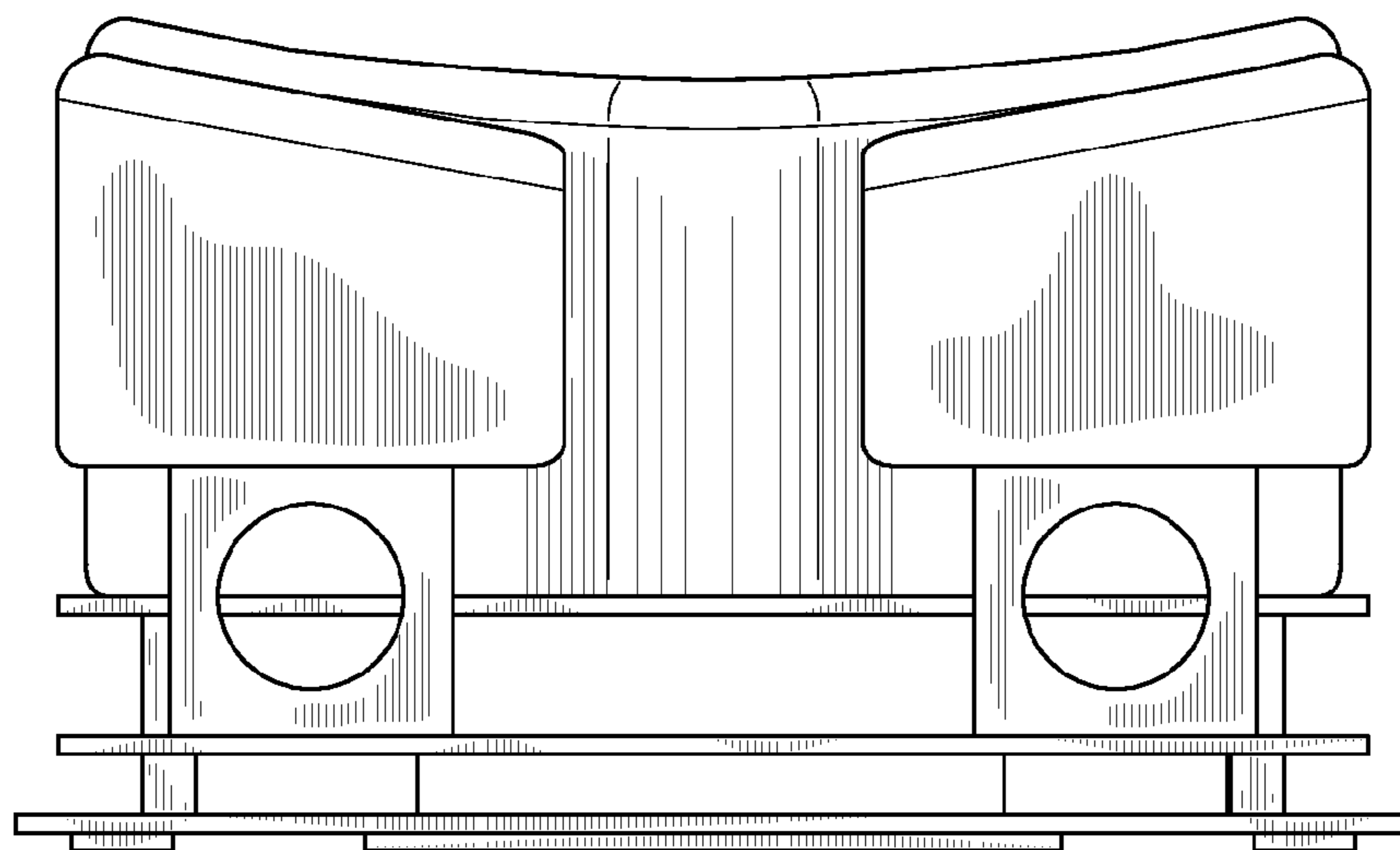


FIG. 2

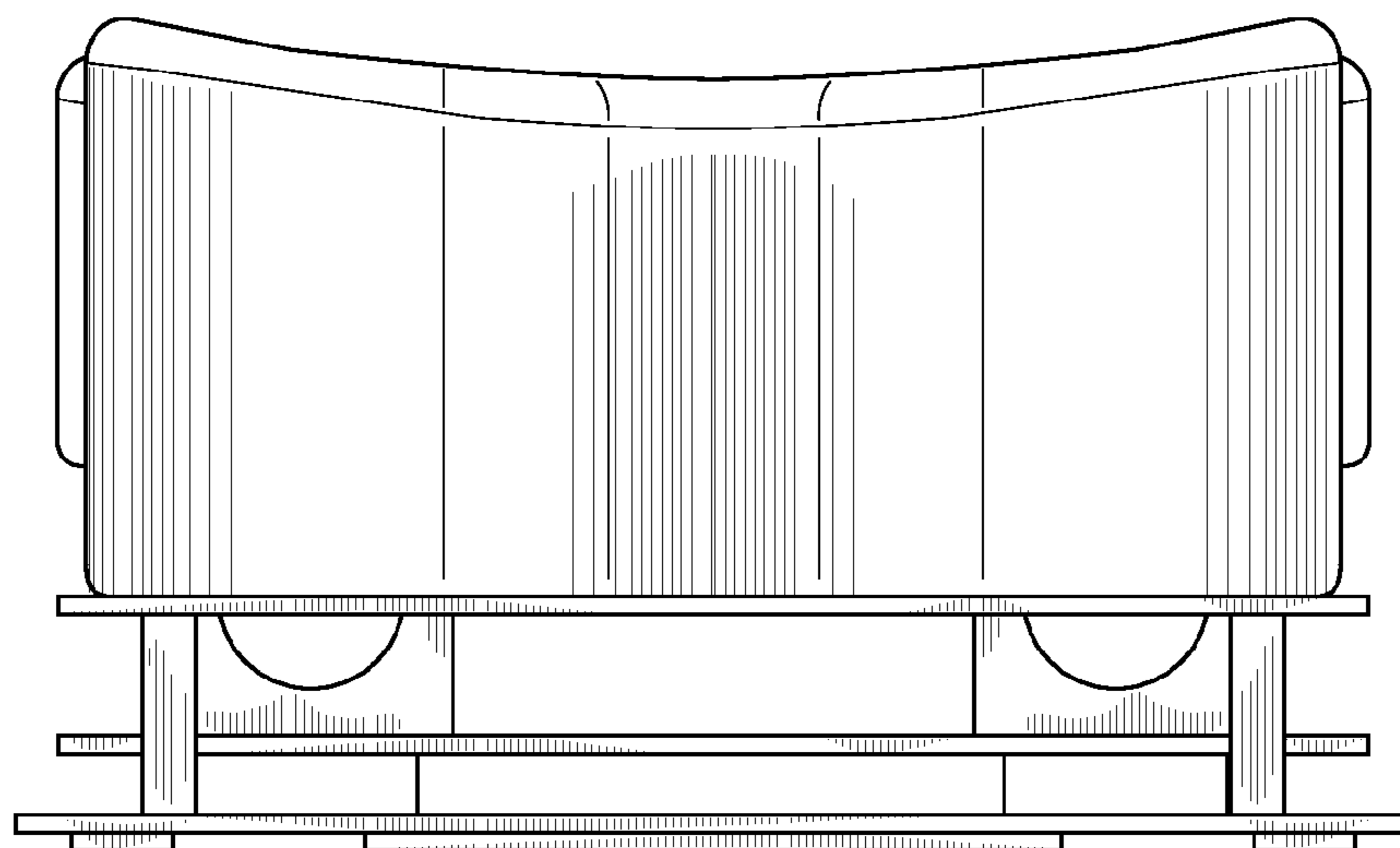


FIG. 3

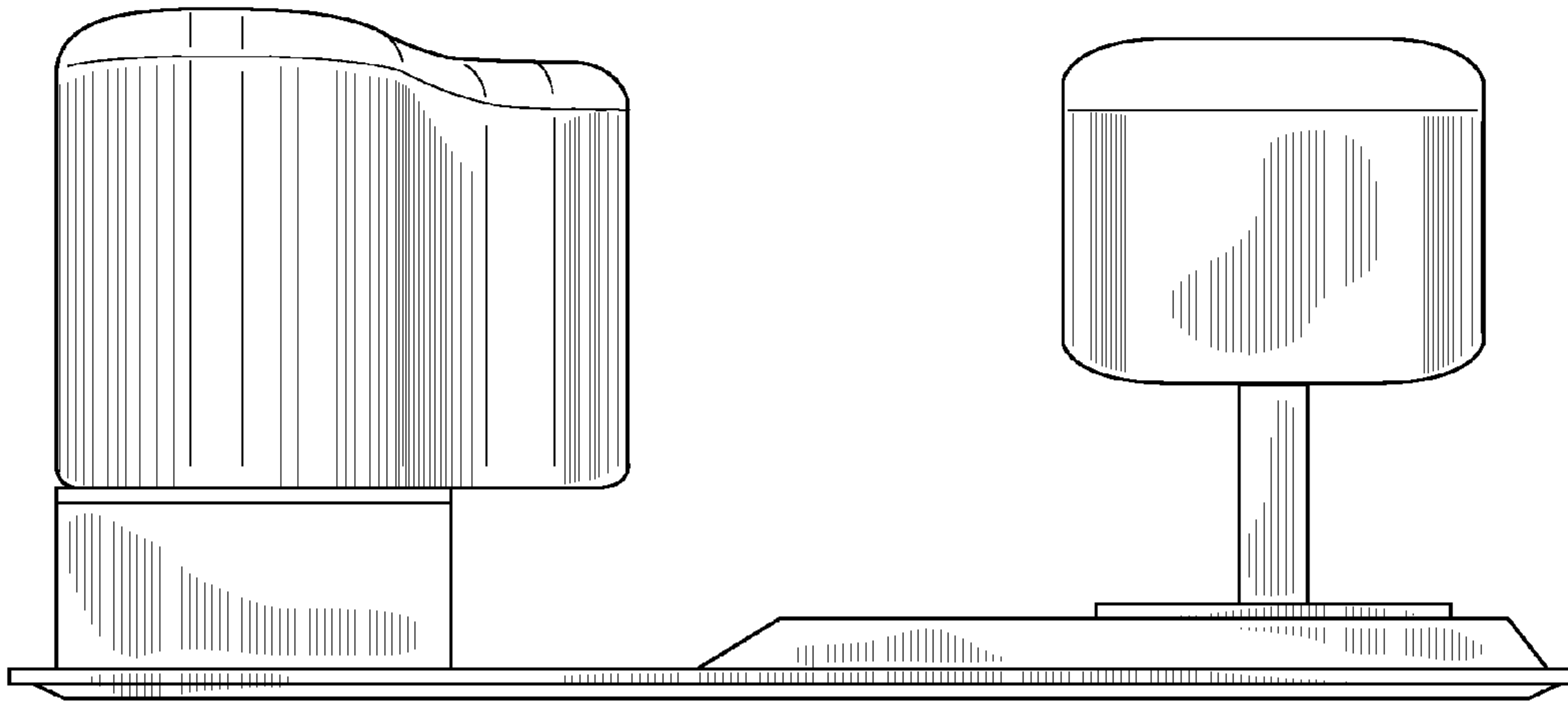


FIG. 4

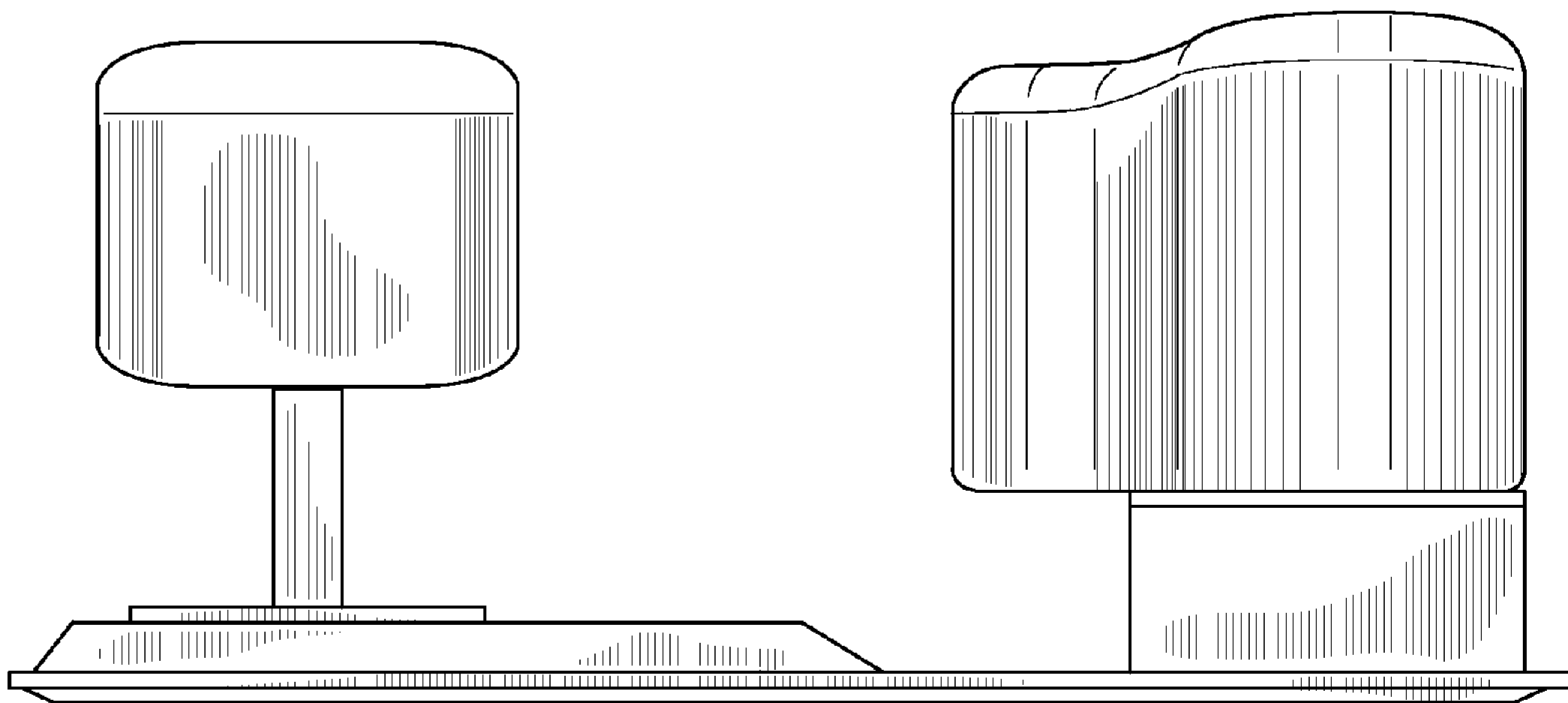


FIG. 5

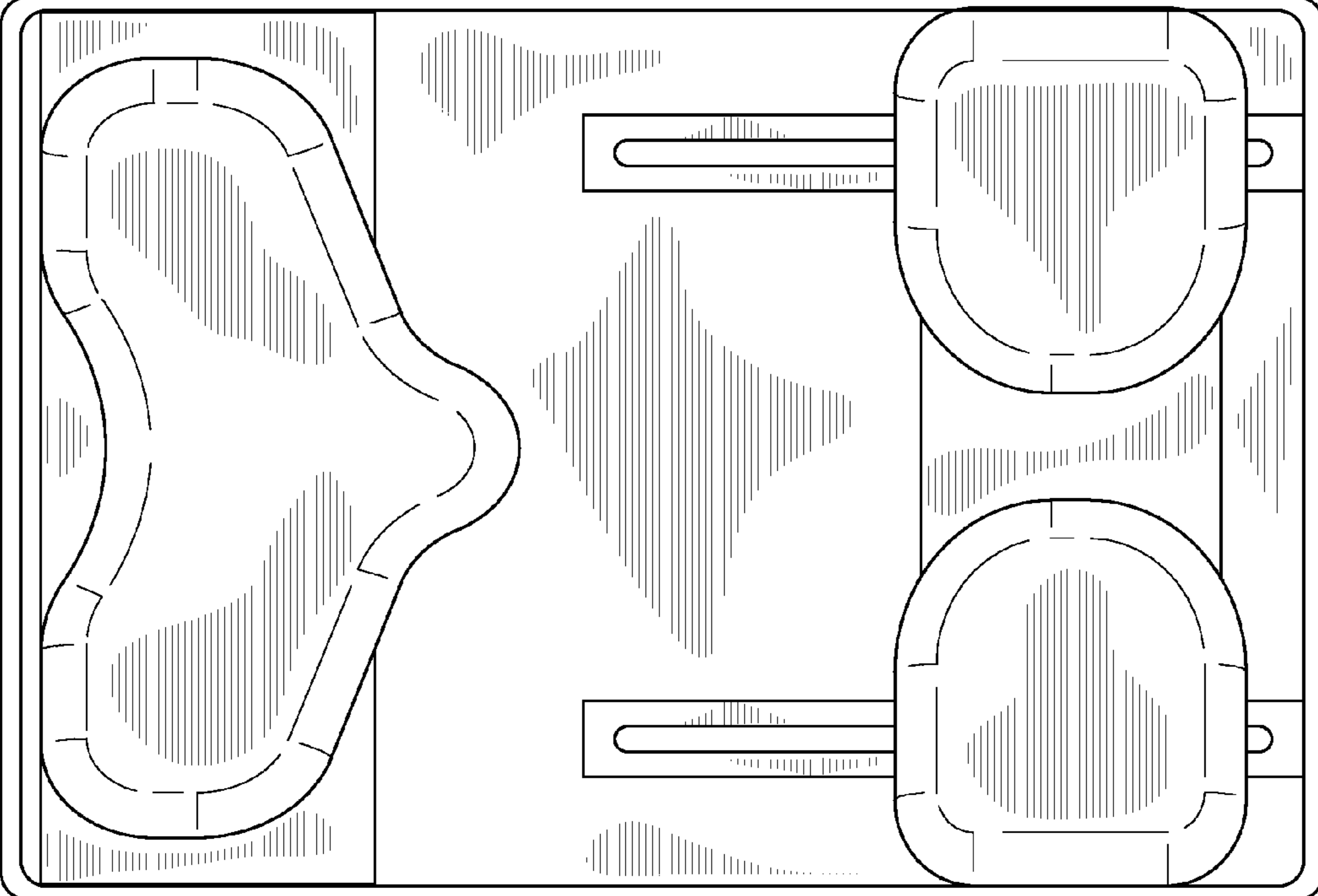


FIG. 7

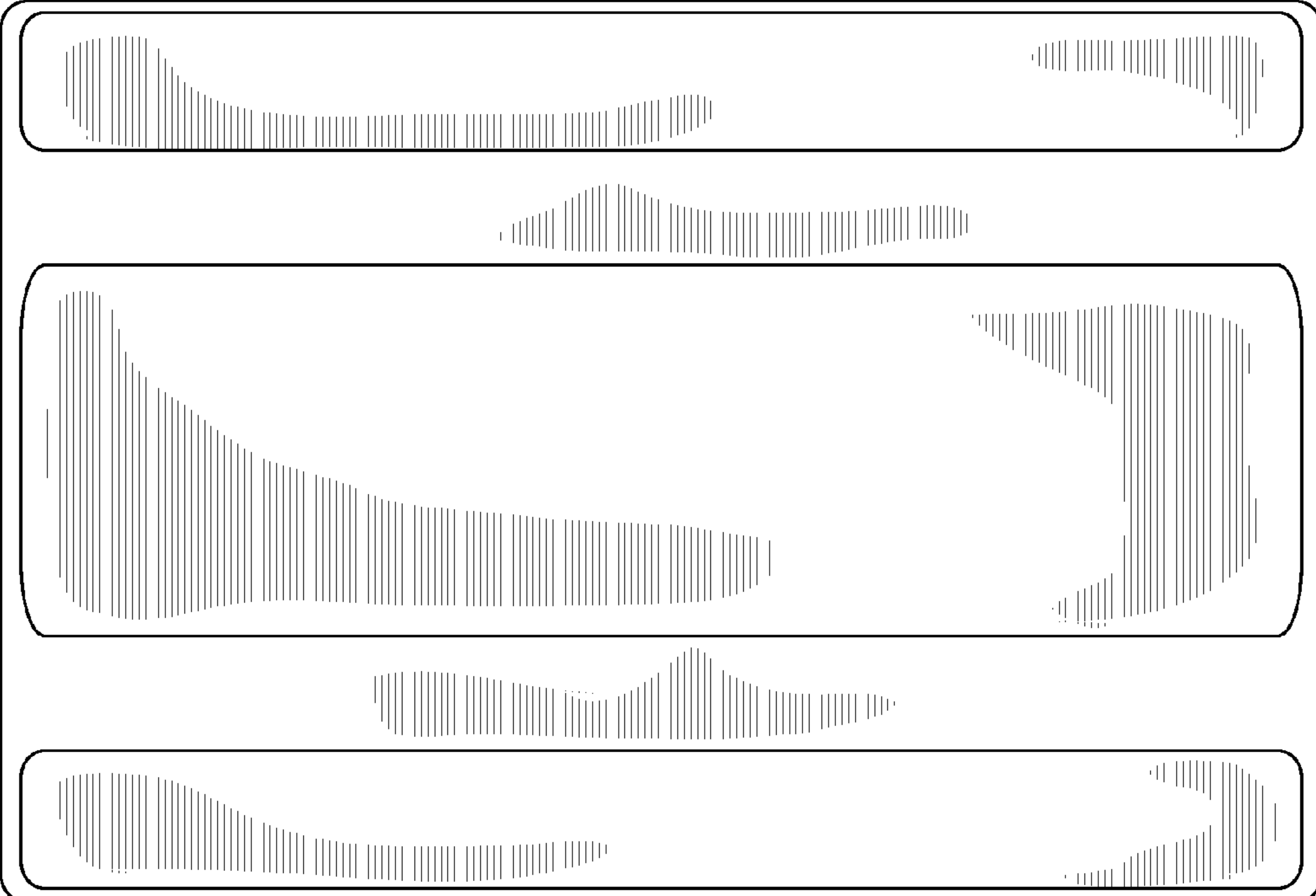


FIG. 6