



US00D683029S

(12) **United States Design Patent**
Goodman et al.

(10) **Patent No.:** **US D683,029 S**
(45) **Date of Patent:** **** May 21, 2013**

(54) **SOUND PROCESSOR**

(71) Applicant: **Advanced Bionics AG**, Staefa (CH)
(72) Inventors: **James P. Goodman**, Minnetonka, MN (US); **Cameron Smith**, Seattle, WA (US); **Bryan Cabatic**, Shoreline, WA (US); **Adam Smith**, Palm Desert, CA (US); **Adam Weisgerber**, Bellevue, WA (US)

(73) Assignee: **Advanced Bionics, LLC**, Valencia, CA (US)

(**) Term: **14 Years**

(21) Appl. No.: **29/433,804**

(22) Filed: **Oct. 4, 2012**

Related U.S. Application Data

(62) Division of application No. 29/381,389, filed on Dec. 17, 2010, now Pat. No. Des. 670,391.

(51) **LOC (9) Cl.** **24-99**

(52) **U.S. Cl.**
USPC **D24/174**

(58) **Field of Classification Search** D24/173-175,
D24/151, 155; 381/23.1, 312, 322-324, 328,
381/330, 380, 381; 181/126, 129; 600/25; 623/10,
623/11; 607/55-57

See application file for complete search history.

(56) **References Cited**

U.S. PATENT DOCUMENTS

D139,704 S 12/1944 Darr
D167,873 S 9/1952 Watson
D182,365 S 3/1958 Johnson et al.
D300,852 S 4/1989 Sunderland et al.
5,095,904 A 3/1992 Seligman et al.

D340,522 S 10/1993 Silbersky
D343,902 S 2/1994 Kosanke et al.
D380,048 S 6/1997 Hampf et al.
D419,677 S 1/2000 McKimm
D560,808 S 1/2008 Jurkiewicz
D567,379 S * 4/2008 Svensson D24/174
D594,443 S 6/2009 Lee et al.
D605,293 S 12/2009 Kurokawa et al.
D605,770 S * 12/2009 Bergstrom D24/174
D618,804 S 6/2010 Borregaard
D670,390 S 11/2012 Goodman et al.
D670,391 S 11/2012 Goodman et al.

* cited by examiner

Primary Examiner — Anhdao Doan

(74) *Attorney, Agent, or Firm* — Mary Elizabeth Bush

(57) **CLAIM**

We claim the ornamental design for a sound processor, as shown and described.

DESCRIPTION

The present application is also related to U.S. patent application Ser. No. 29/381,368, filed on Dec. 17, 2010, entitled "Sound Processor" to James P. Goodman et al., which is incorporated herein by reference in its entirety.

FIG. 1 is a perspective view of a sound processor showing our new design;

FIG. 2 is another perspective view thereof;

FIG. 3 is a front view thereof;

FIG. 4 is a rear view thereof;

FIG. 5 is a side view thereof;

FIG. 6 is another side view thereof;

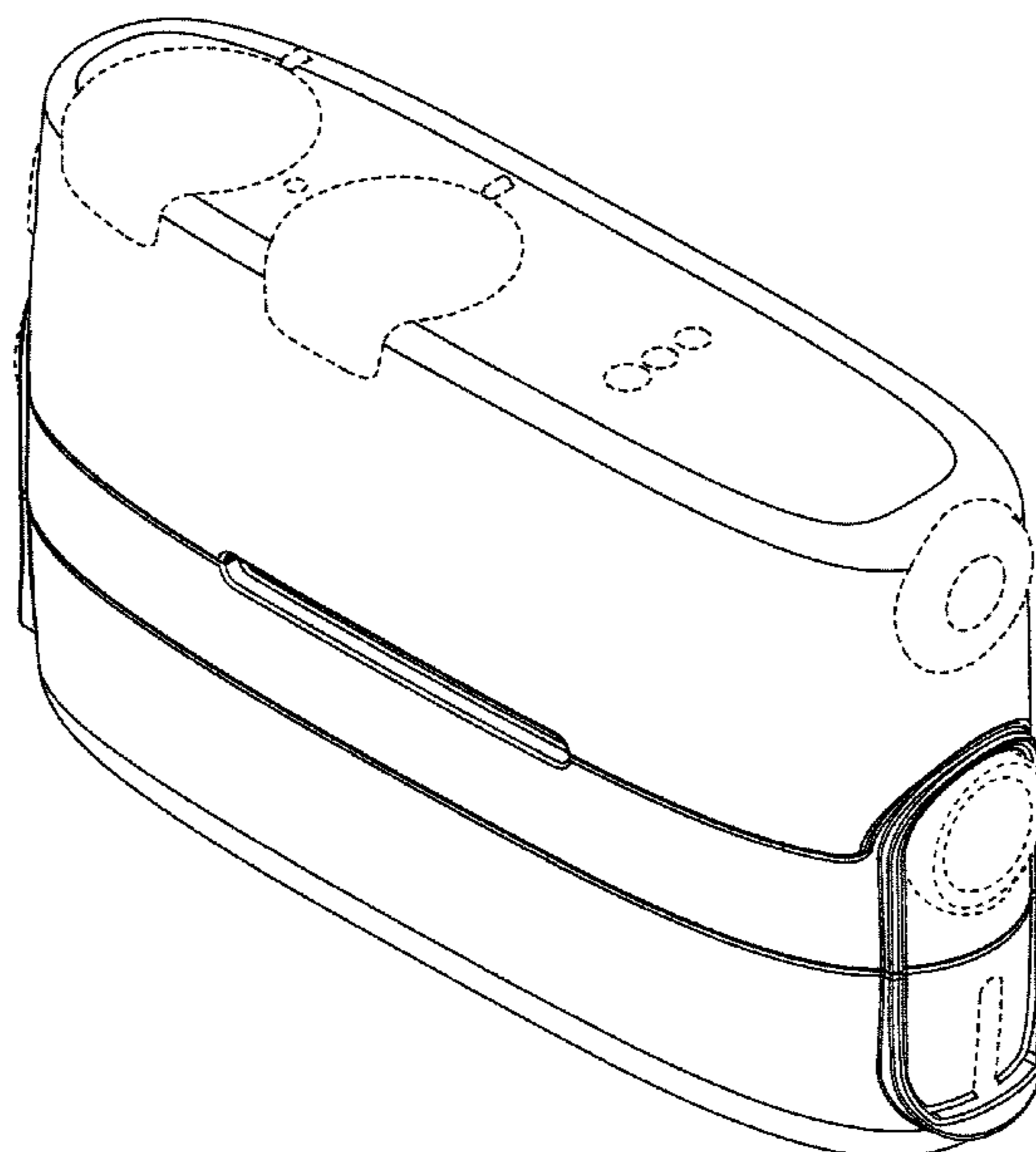
FIG. 7 is a top view thereof;

FIG. 8 is a bottom view thereof; and,

FIG. 9 is an exploded perspective view thereof.

The portions of the sound processor shown in broken lines do not form part of the claimed design.

1 Claim, 6 Drawing Sheets



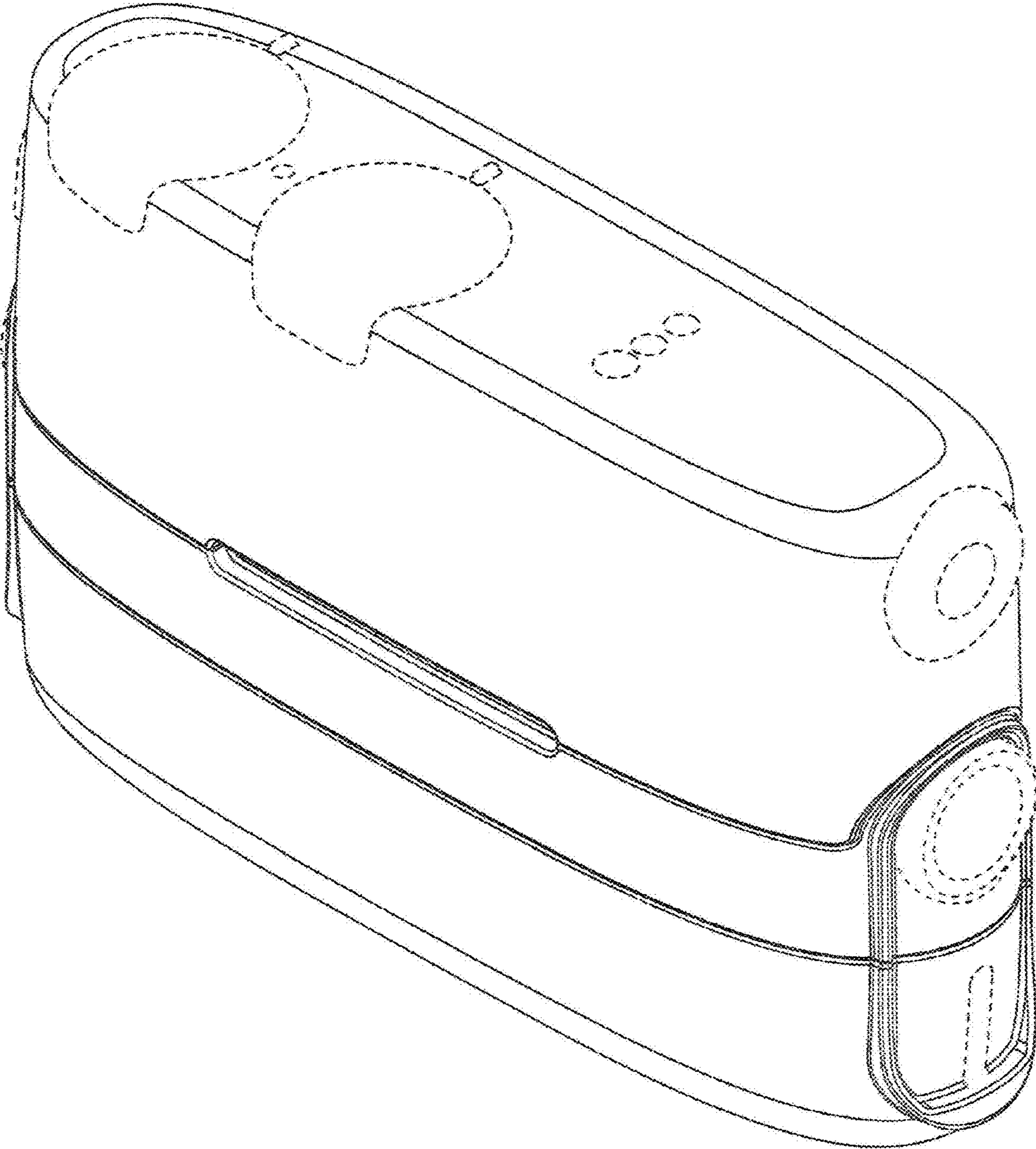


Fig. 1

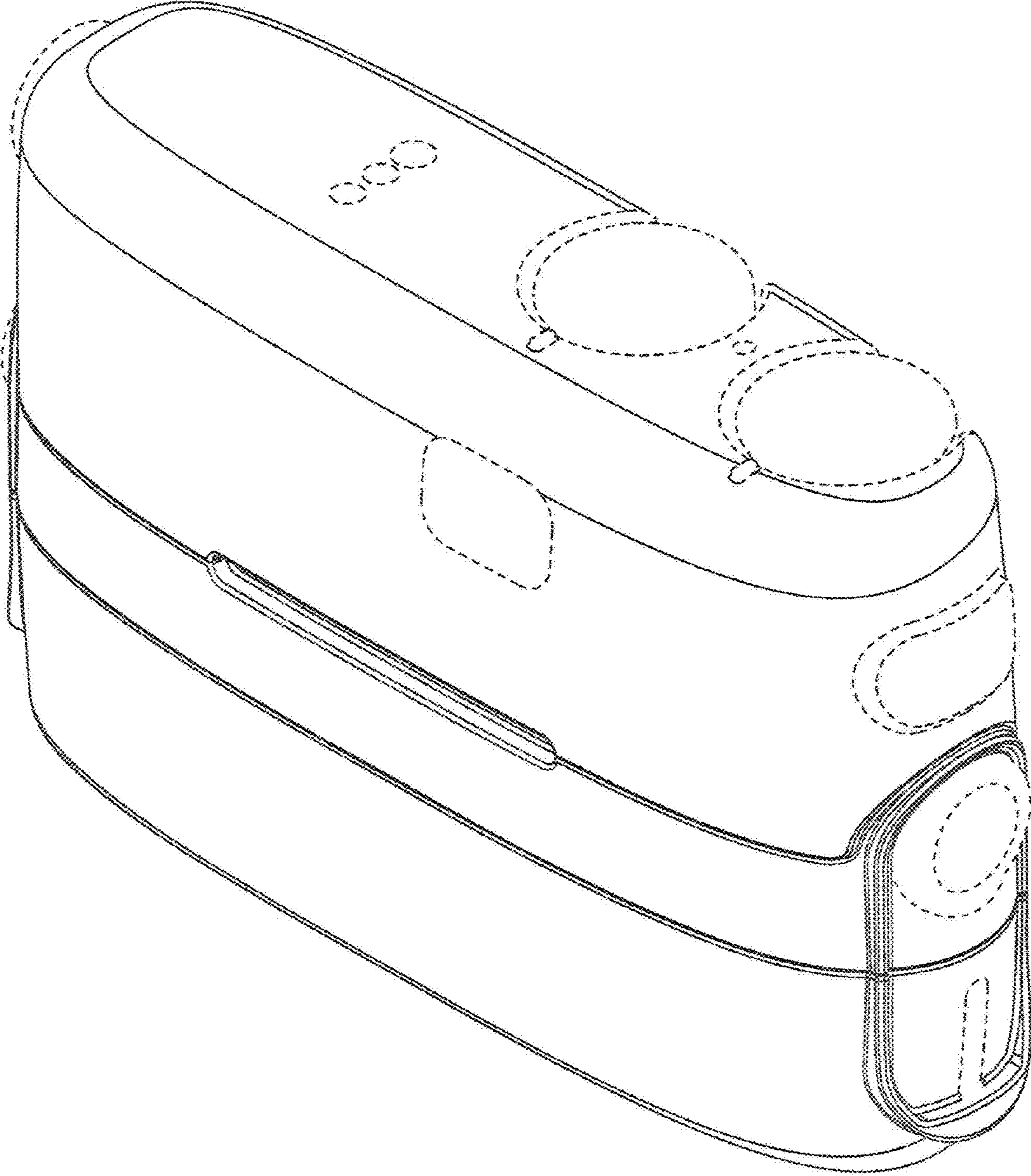


Fig. 2

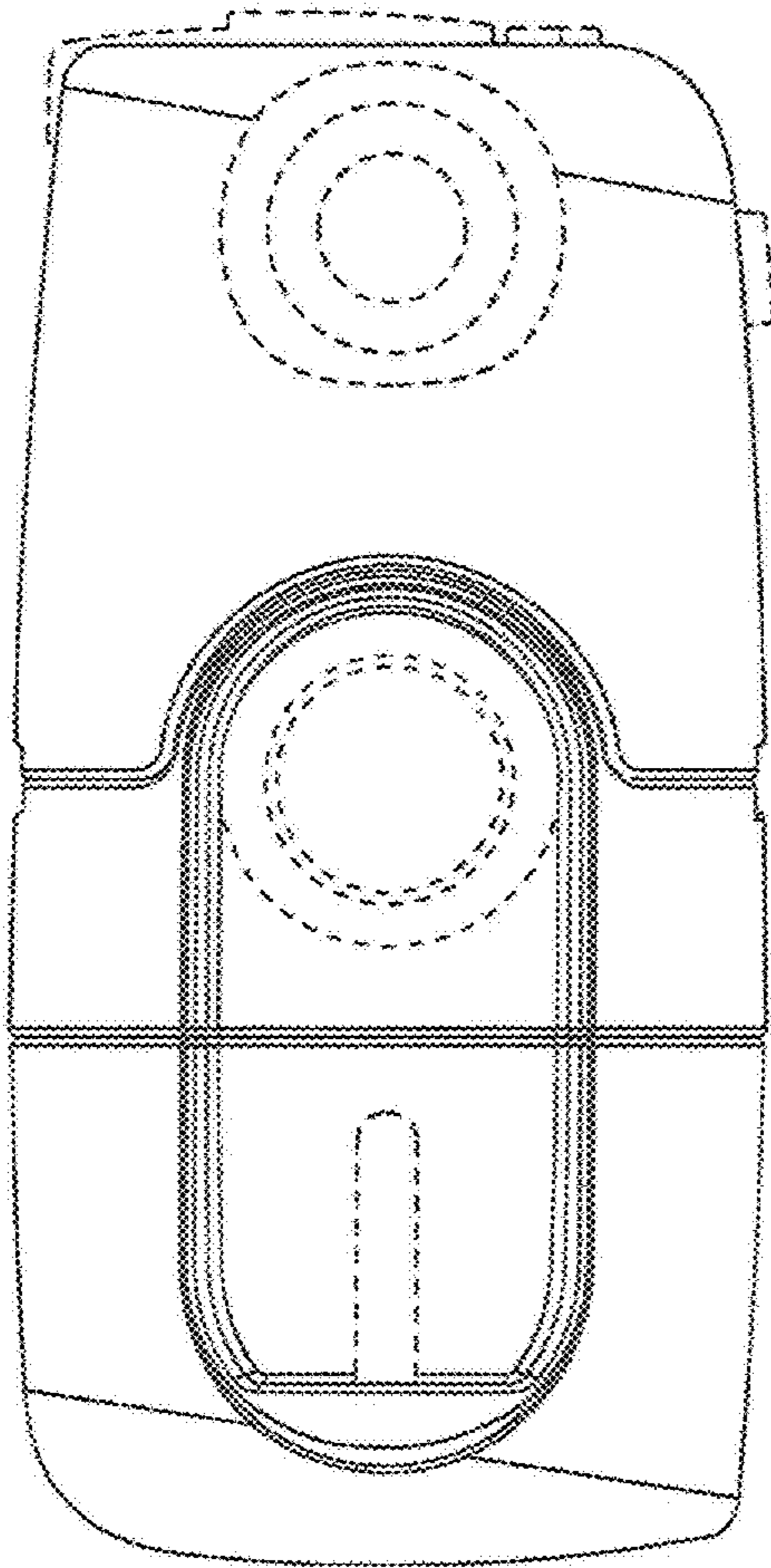


Fig. 3

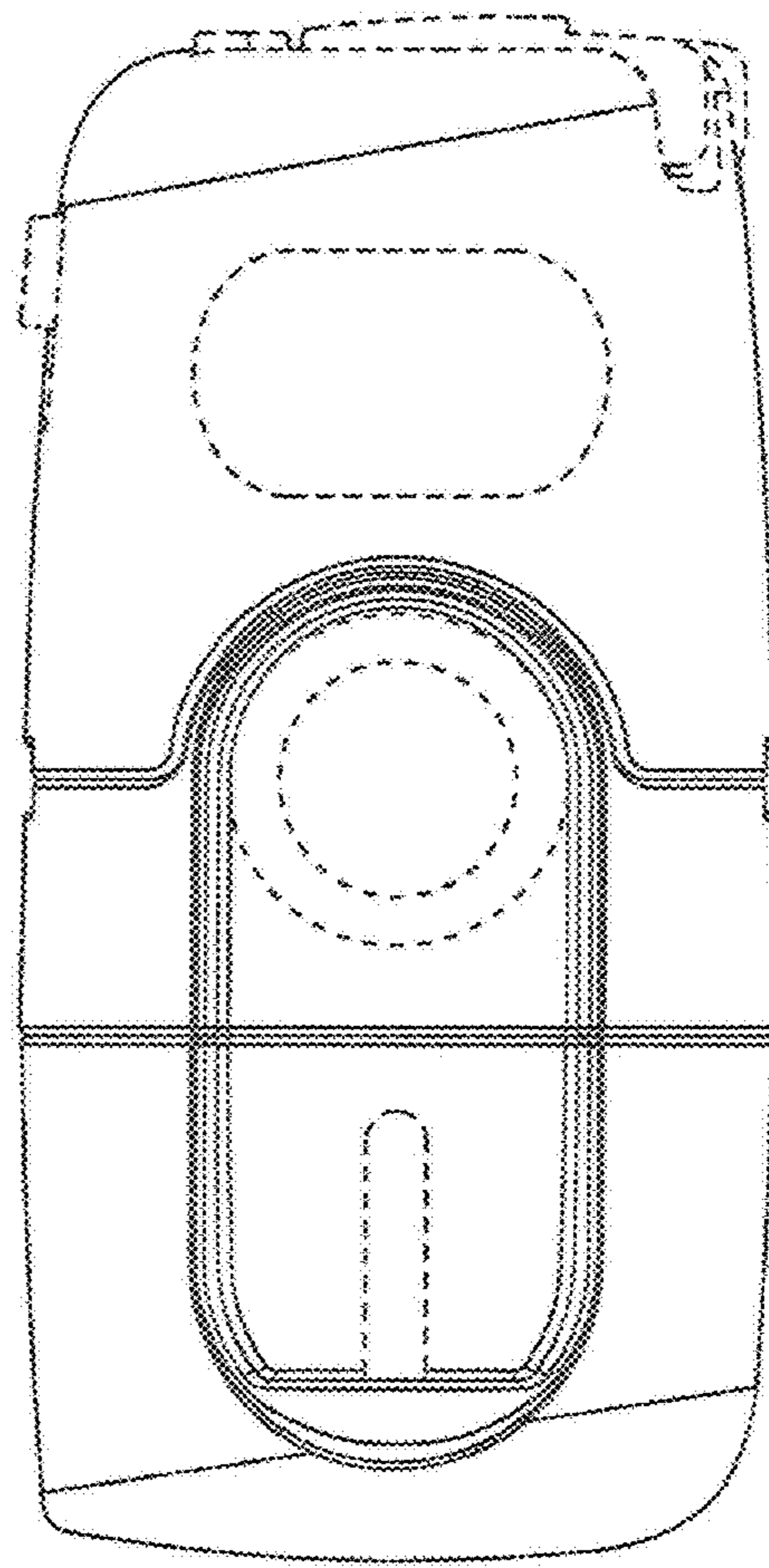


Fig. 4

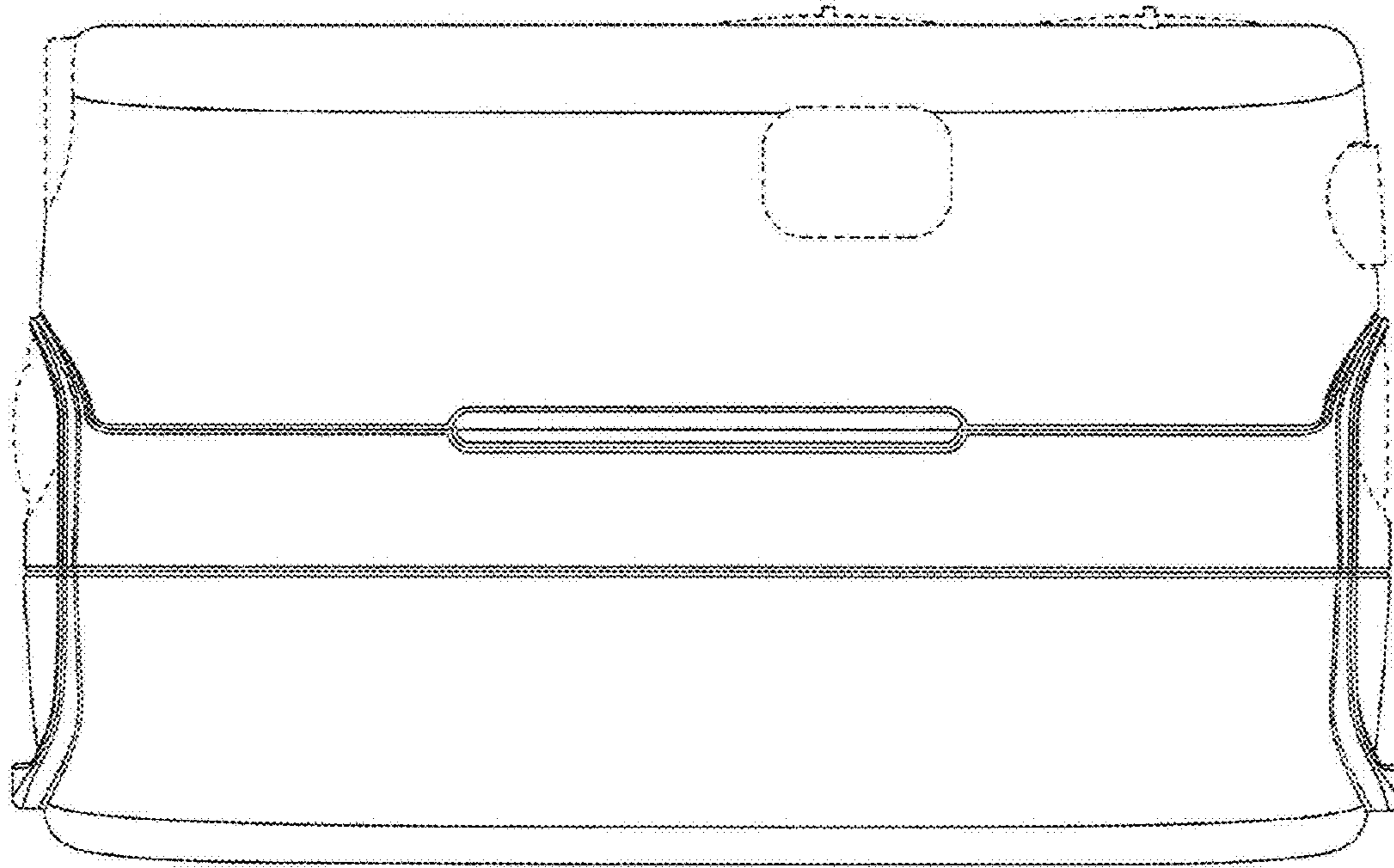


Fig. 5

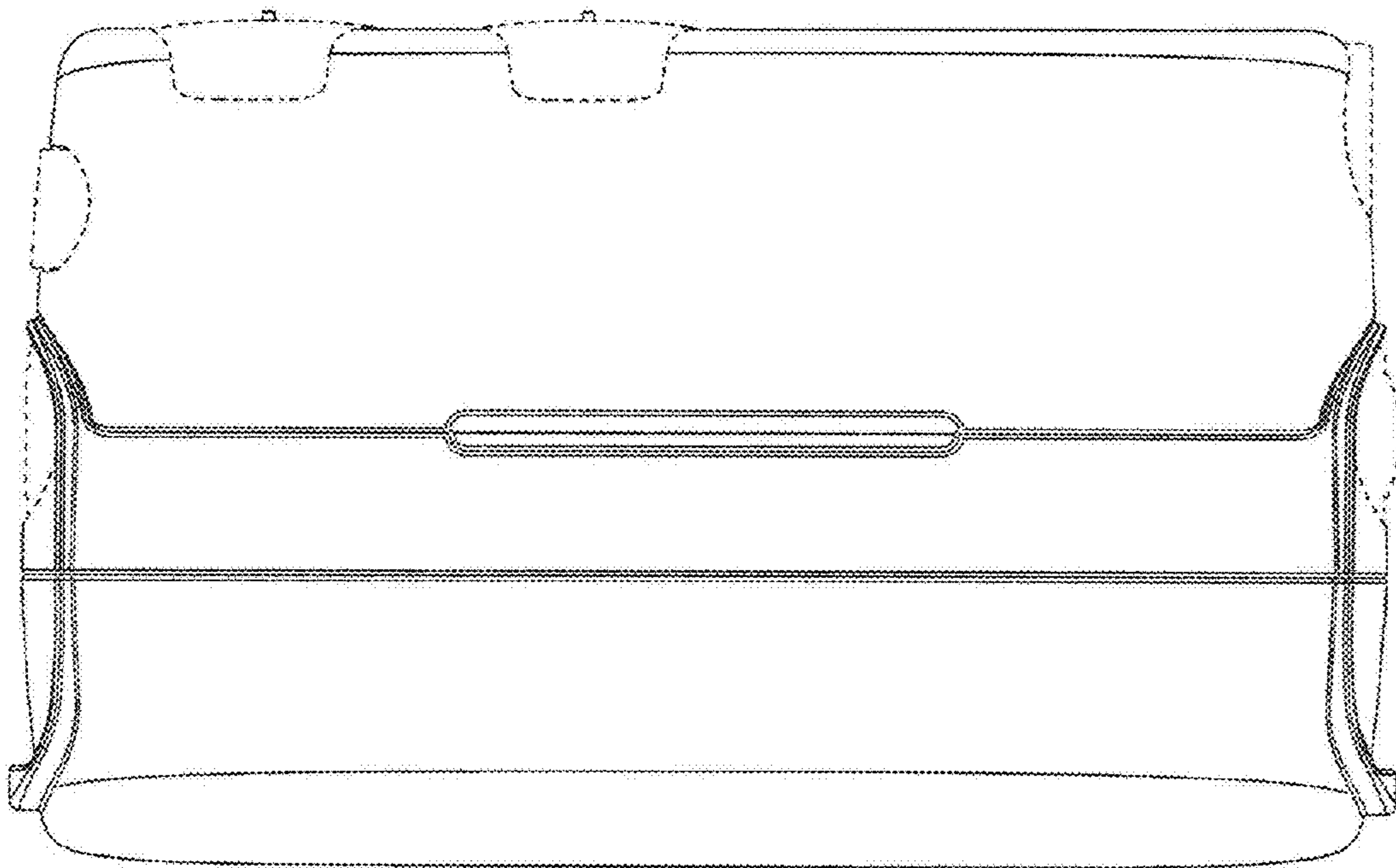


Fig. 6

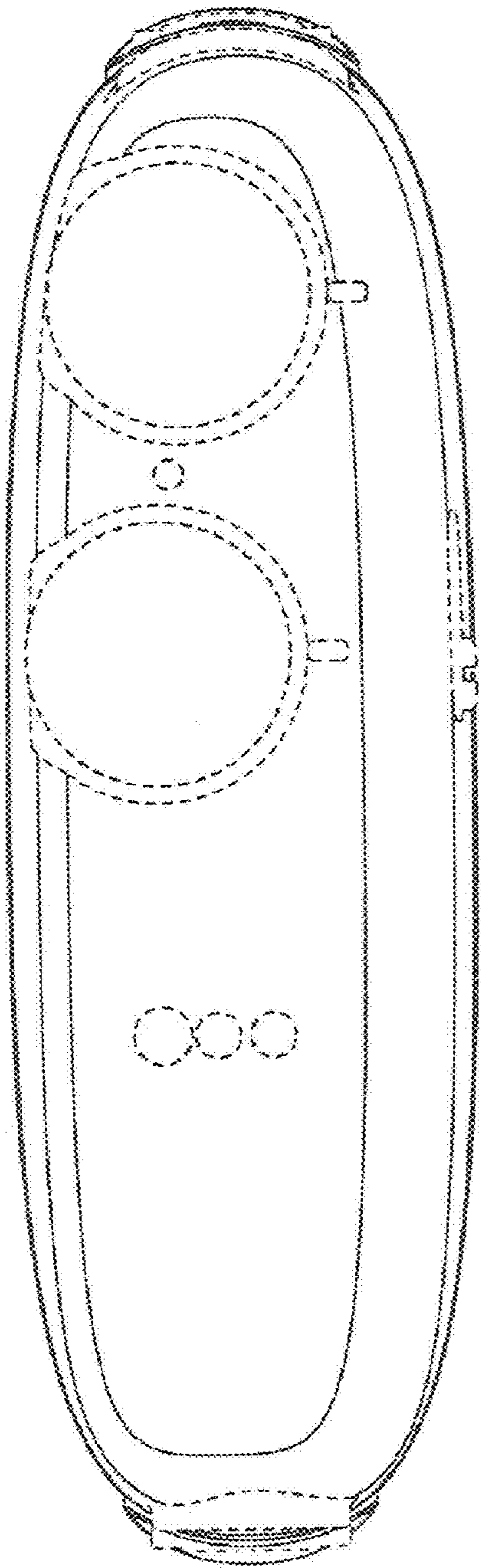


Fig. 7

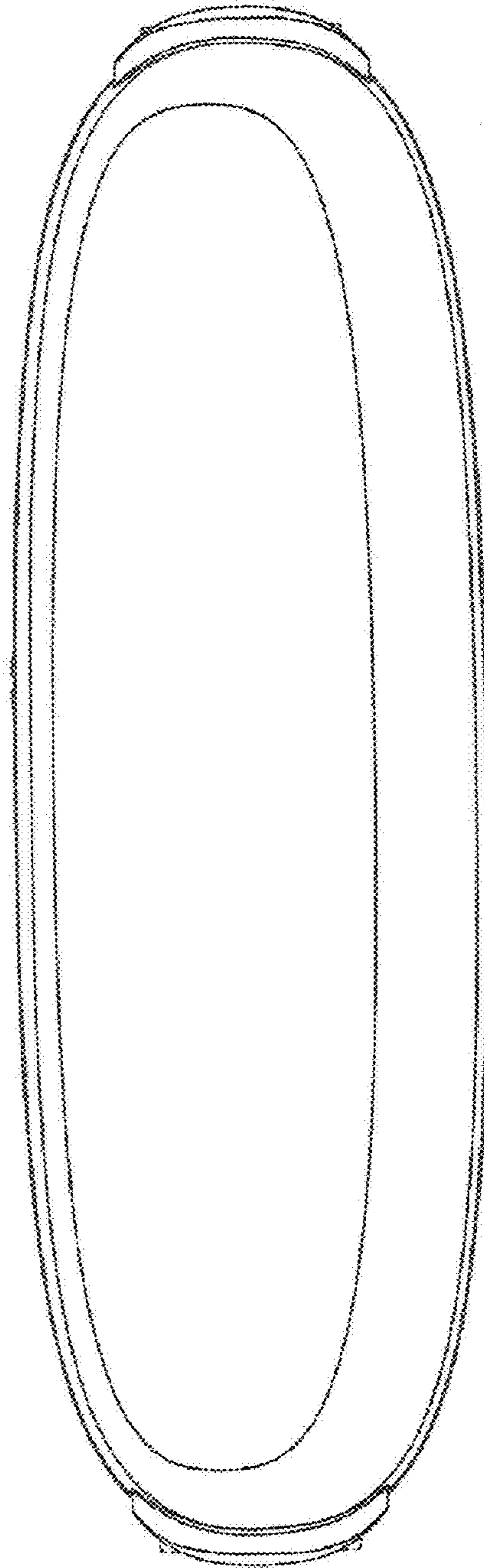


Fig. 8

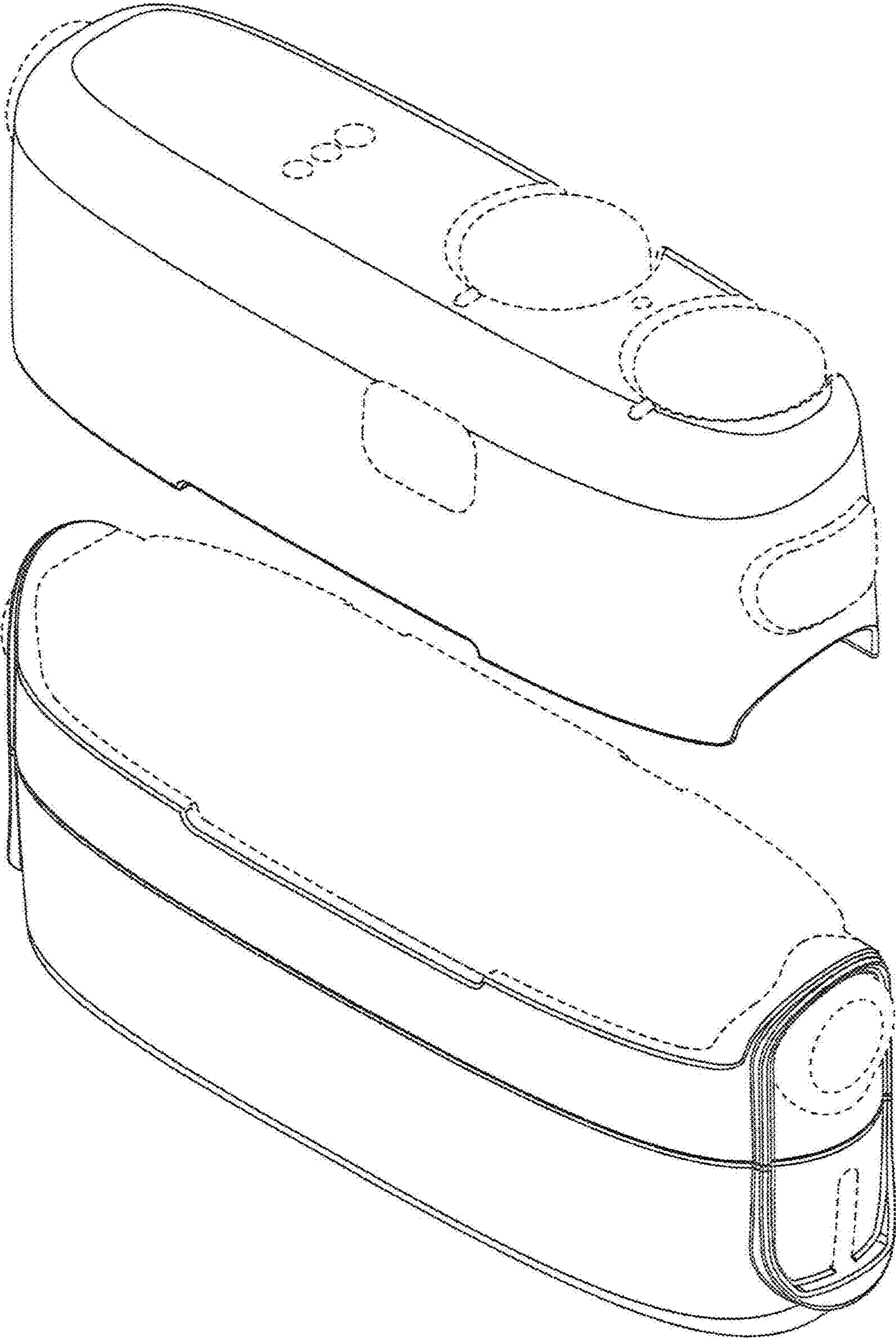


Fig. 9