

US00D683027S

(12) **United States Design Patent**
Noguchi et al.

(10) **Patent No.:** **US D683,027 S**
(45) **Date of Patent:** **** May 21, 2013**

(54) **SPHYGMOMANOMETER**

(75) Inventors: **So Noguchi**, Hirakata (JP); **Shuji Tsuruta**, Ibaraki (JP); **Yoshikazu Inami**, Akashi (JP); **Daisuke Nozaki**, Kyoto (JP); **Takeyasu Hashimoto**, Kusatsu (JP); **Shinjiro Komizo**, Kyoto (JP)

(73) Assignee: **Omron Healthcare Co., Ltd.**, Kyoto (JP)

(**) Term: **14 Years**

(21) Appl. No.: **29/397,998**

(22) Filed: **Jul. 25, 2011**

(30) **Foreign Application Priority Data**

Jan. 26, 2011	(JP)	2011-001568
Jan. 26, 2011	(JP)	2011-001569
Jan. 26, 2011	(JP)	2011-001570
Mar. 15, 2011	(JP)	2011-005938
Mar. 22, 2011	(JP)	2011-006419
Mar. 22, 2011	(JP)	2011-006420
Mar. 22, 2011	(JP)	2011-006421
Mar. 22, 2011	(JP)	2011-006422

(51) **LOC (9) Cl.** **24-02**

(52) **U.S. Cl.**
USPC **D24/165**

(58) **Field of Classification Search** D24/164-168, D24/186, 107; D10/46, 75, 98; 600/301, 600/481-483, 485, 490, 493-495, 500, 503, 600/509; 128/900

See application file for complete search history.

(56) **References Cited**

U.S. PATENT DOCUMENTS

D475,137 S *	5/2003	Manke et al.	D24/165
D537,944 S	3/2007	Eda et al.		
D541,941 S	5/2007	Nakanishi et al.		
D569,978 S	5/2008	Eda et al.		

D577,440 S	9/2008	Ferber et al.		
D583,474 S *	12/2008	Mitsunami et al.	D24/165
D609,343 S *	2/2010	Omaki	D24/165
D641,881 S	7/2011	Inami et al.		
D651,319 S *	12/2011	Hara	D24/165

FOREIGN PATENT DOCUMENTS

CN	3547736 S	7/2006
CN	3652658 S	5/2007
EM	000404637-0001 A1	11/2005
EM	000743638-0006 A1	7/2007
EM	000894191-0002 A1	4/2008
JP	D1239550 S	5/2005
JP	D1267443 S	4/2006
JP	D1387527 S	5/2010
JP	D1387528 S	5/2010
JP	D1387631 S	5/2010
JP	D1396052 S	8/2010
JP	D1403528 S	12/2010
JP	D1403529 S	12/2010
JP	D1403530 S	12/2010
JP	D1403531 S	12/2010
JP	D1415684 S	6/2011
JP	D1416703 S	6/2011

* cited by examiner

Primary Examiner — Anhdao Doan

(74) *Attorney, Agent, or Firm* — Capitol City TechLaw

(57) **CLAIM**

The ornamental design for a sphygmomanometer, as shown and described.

DESCRIPTION

FIG. 1 is a front, top, and right side perspective view of a sphygmomanometer showing our new design; FIG. 2 is a rear, bottom, and left side perspective view thereof; FIG. 3 is a front view thereof; FIG. 4 is a rear view thereof; FIG. 5 is a top view thereof; FIG. 6 is a bottom view thereof; FIG. 7 is a right side view thereof; and, FIG. 8 is a left side view thereof.

1 Claim, 8 Drawing Sheets



FIG.1



FIG.2



FIG.3



FIG.4



FIG.5

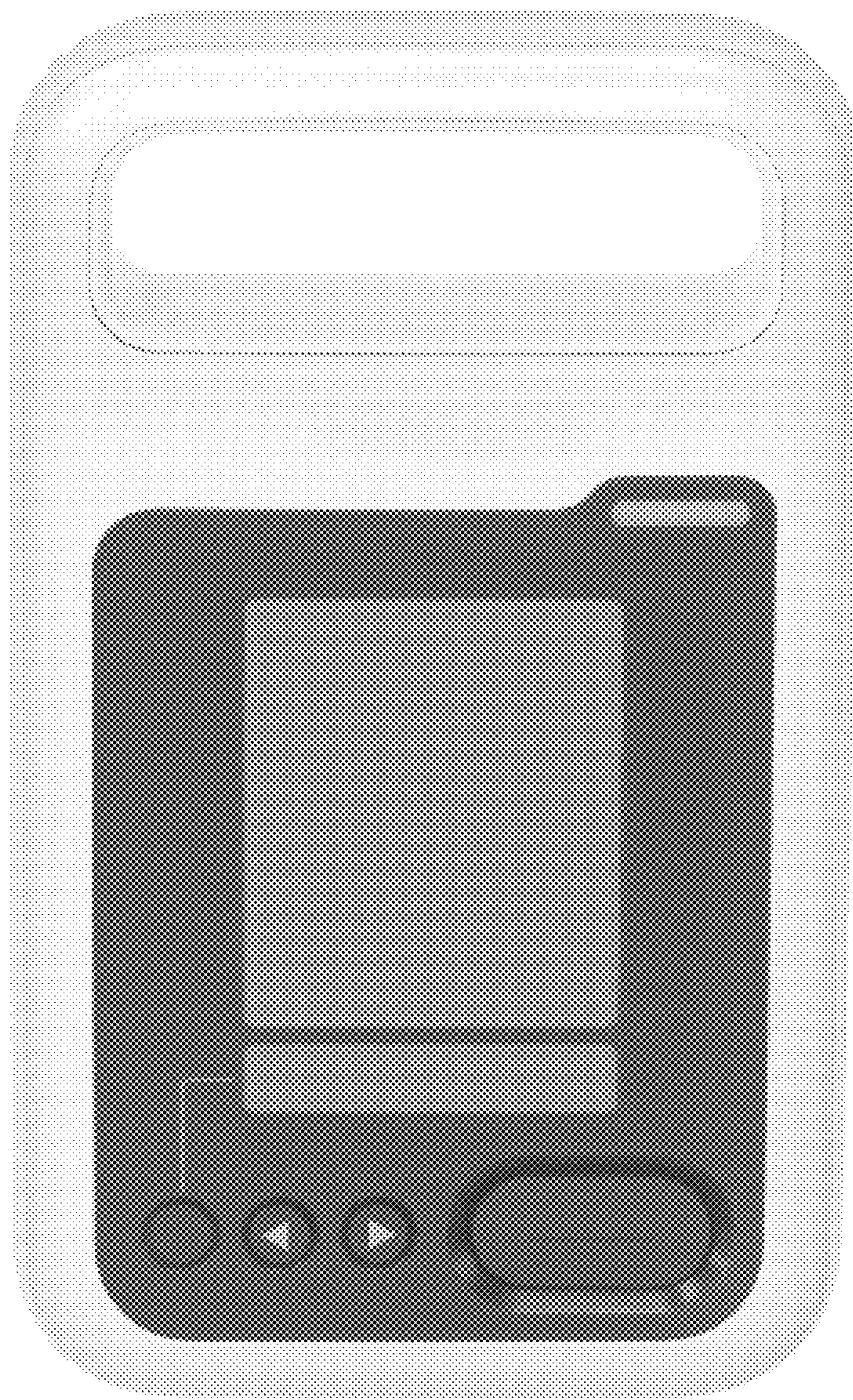


FIG.6



FIG.7

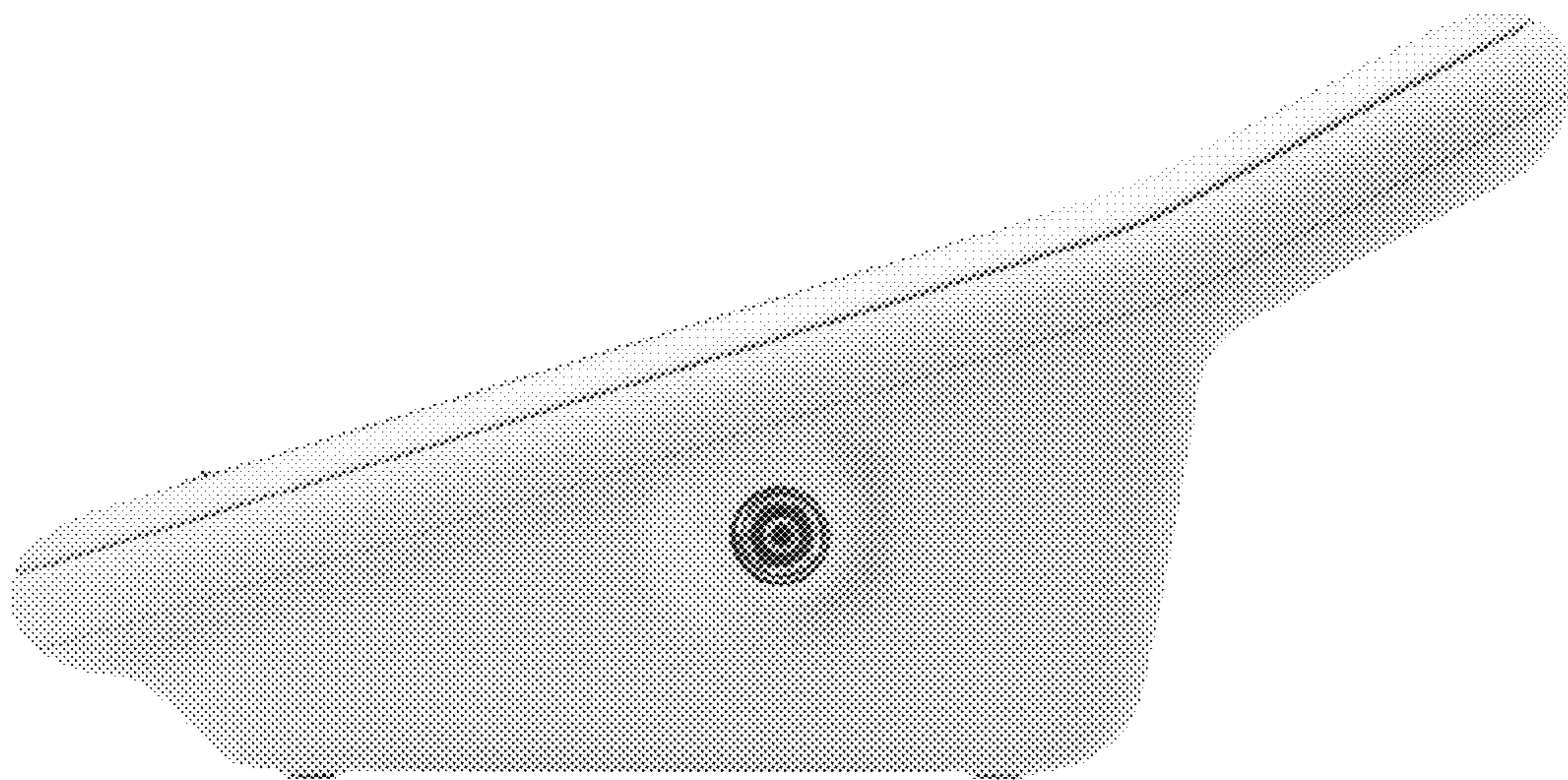


FIG.8

