



US00D683026S

(12) **United States Design Patent**  
**Banryu**

(10) **Patent No.:** **US D683,026 S**

(45) **Date of Patent:** **\*\* May 21, 2013**

(54) **SCANNER FOR A MAGNETIC RESONANCE TOMOGRAPHY DIAGNOSIS APPARATUS**

Extract of Nikkei Sangyo Shimbun (Newspaper), Showing a magnetic resonance imaging, (Siemens AG/Type 3T).

(75) Inventor: **Atsunobu Banryu**, Funabashi (JP)

\* cited by examiner

(73) Assignee: **Kabushiki Kaisha Toshiba** (JP)

(\*\*) Term: **14 Years**

*Primary Examiner* — Anhdao Doan

(21) Appl. No.: **29/422,443**

(74) *Attorney, Agent, or Firm* — Banner & Witcoff, Ltd.

(22) Filed: **May 21, 2012**

(30) **Foreign Application Priority Data**

Mar. 29, 2012 (JP) ..... 2012-007330

(51) **LOC (9) Cl.** ..... **24-01**

(52) **U.S. Cl.**  
USPC ..... **D24/158**

(58) **Field of Classification Search** ..... D24/158-161,  
D24/185, 186; 378/4, 15, 17, 20, 21, 23-27,  
378/62, 68, 146, 195-198

See application file for complete search history.

(56) **References Cited**

**U.S. PATENT DOCUMENTS**

D399,958 S	*	10/1998	Hiramatsu	.....	D24/158
D420,134 S	*	2/2000	Kitayama	.....	D24/159
D557,418 S	*	12/2007	Onuma et al.	.....	D24/158
D564,096 S	*	3/2008	Banryu	.....	D24/158
D625,416 S	*	10/2010	Kasai et al.	.....	D24/158
D628,294 S	*	11/2010	Baba	.....	D24/158

**FOREIGN PATENT DOCUMENTS**

JP	1312242	10/2007
JP	1312245	10/2007
JP	1370351	10/2009

**OTHER PUBLICATIONS**

Extract of Nikkei Sangyo Shimbun (Newspaper), Showing a magnetic resonance imaging, (Siemens-Asahi Medical Technologies Ltd/Magnetom Essenza).

(57) **CLAIM**

The ornamental design for a scanner for a magnetic resonance tomography diagnosis apparatus, as shown and described.

**DESCRIPTION**

FIG. 1 is a front perspective view of a scanner for a magnetic resonance tomography diagnosis apparatus, showing my new design;

FIG. 2 is a front elevational view thereof;

FIG. 3 is a rear elevational view thereof;

FIG. 4 is a left side elevational view thereof;

FIG. 5 is a right side elevational view thereof;

FIG. 6 is a top plan view thereof;

FIG. 7 is a bottom plan view thereof;

FIG. 8 is a cross sectional view hereof, taken along the line 8-8 in FIG. 2; and,

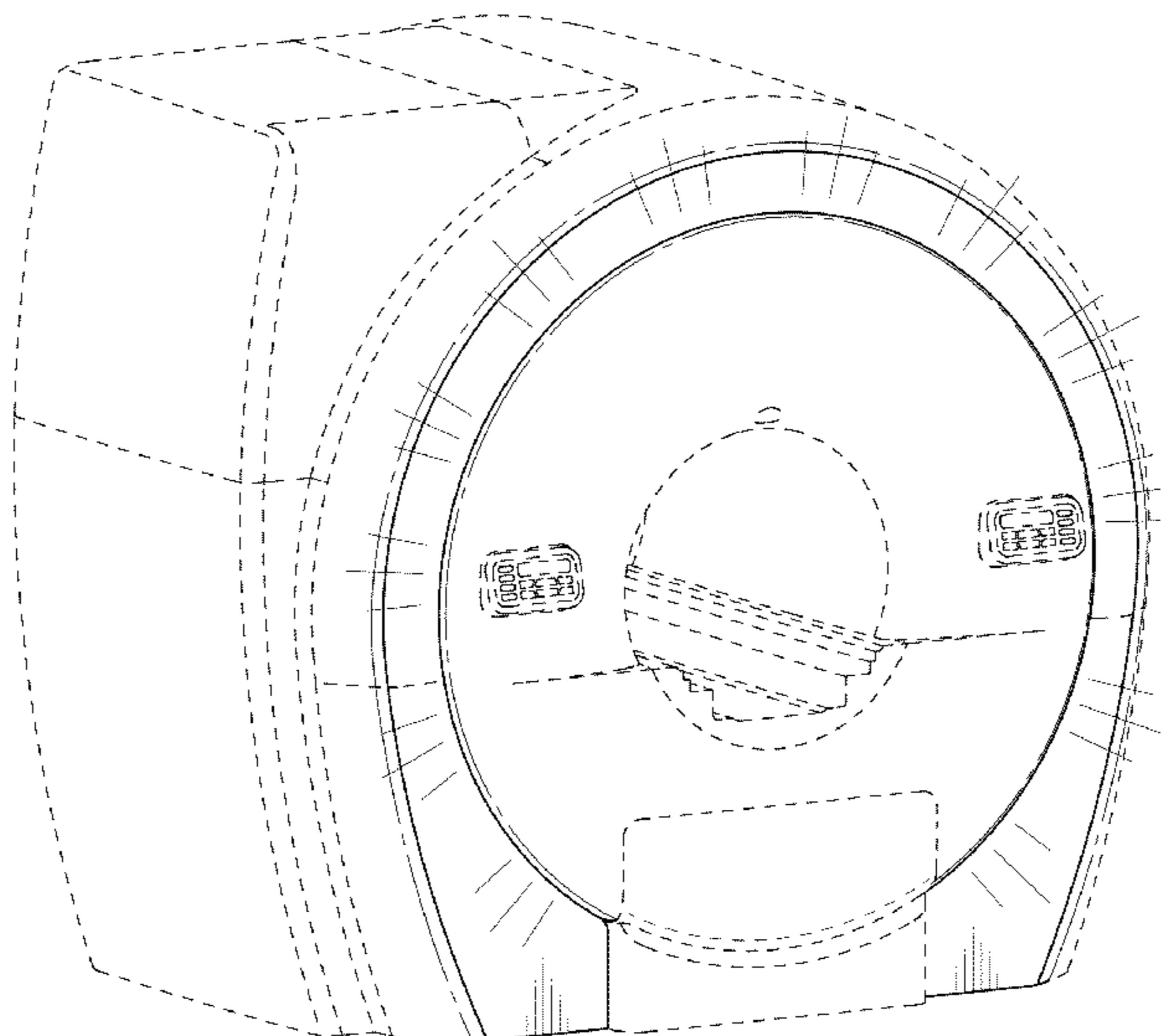
FIG. 9 is an enlarged view thereof, taken along the line 9-9 in FIG. 8.

The broken lines are for illustrative purpose only and form no part of the claimed design. The uneven spaced broken lines define the bounds of the claimed design and form no part thereof.

The recess visible in the cross section extends consistently around the center region from 7 o'clock to 5 o'clock.

The radial lines emanating from around the center region in FIGS. 1, 2, 4-9 indicate illumination.

**1 Claim, 8 Drawing Sheets**



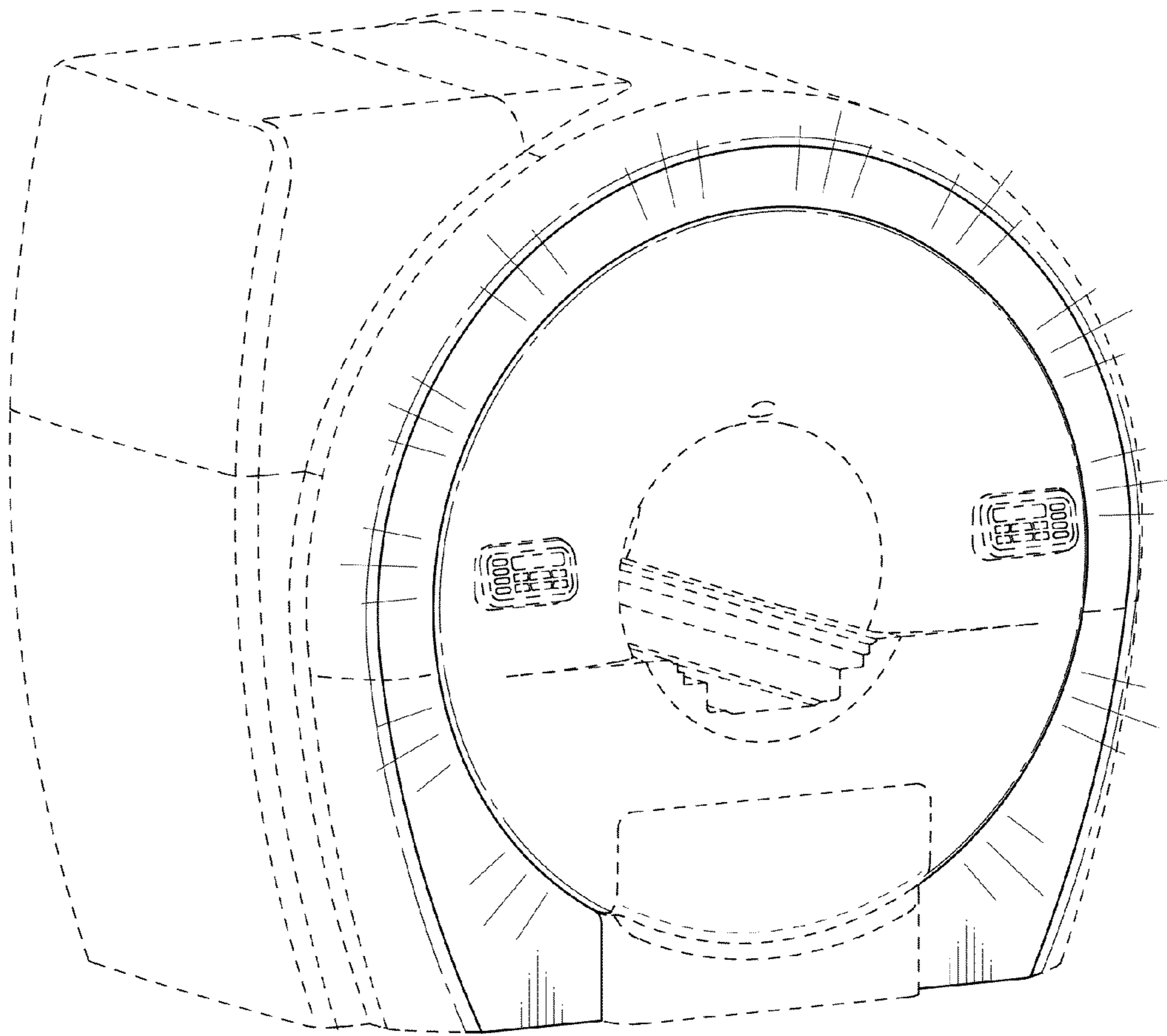


FIG. 1

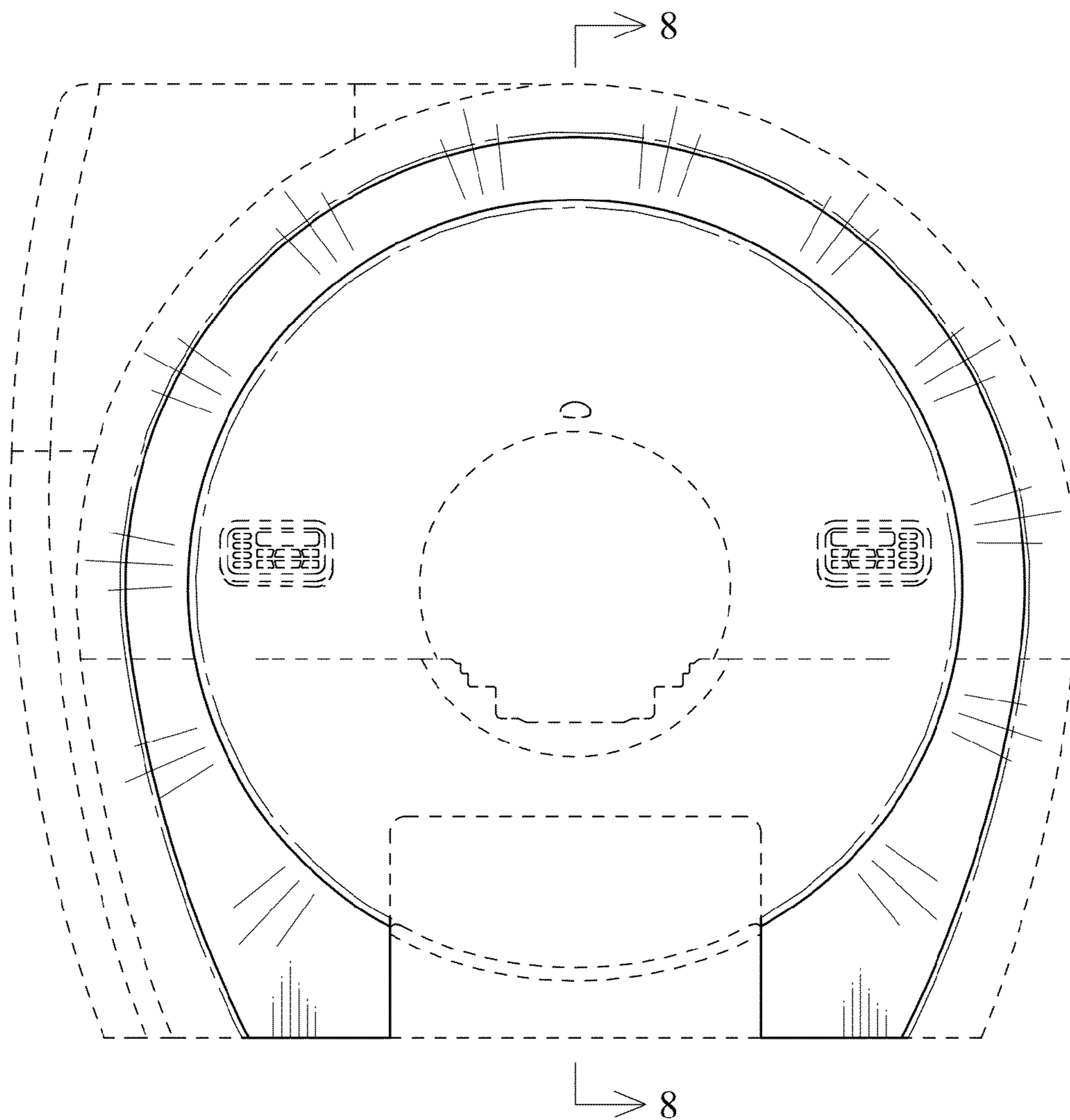


FIG. 2

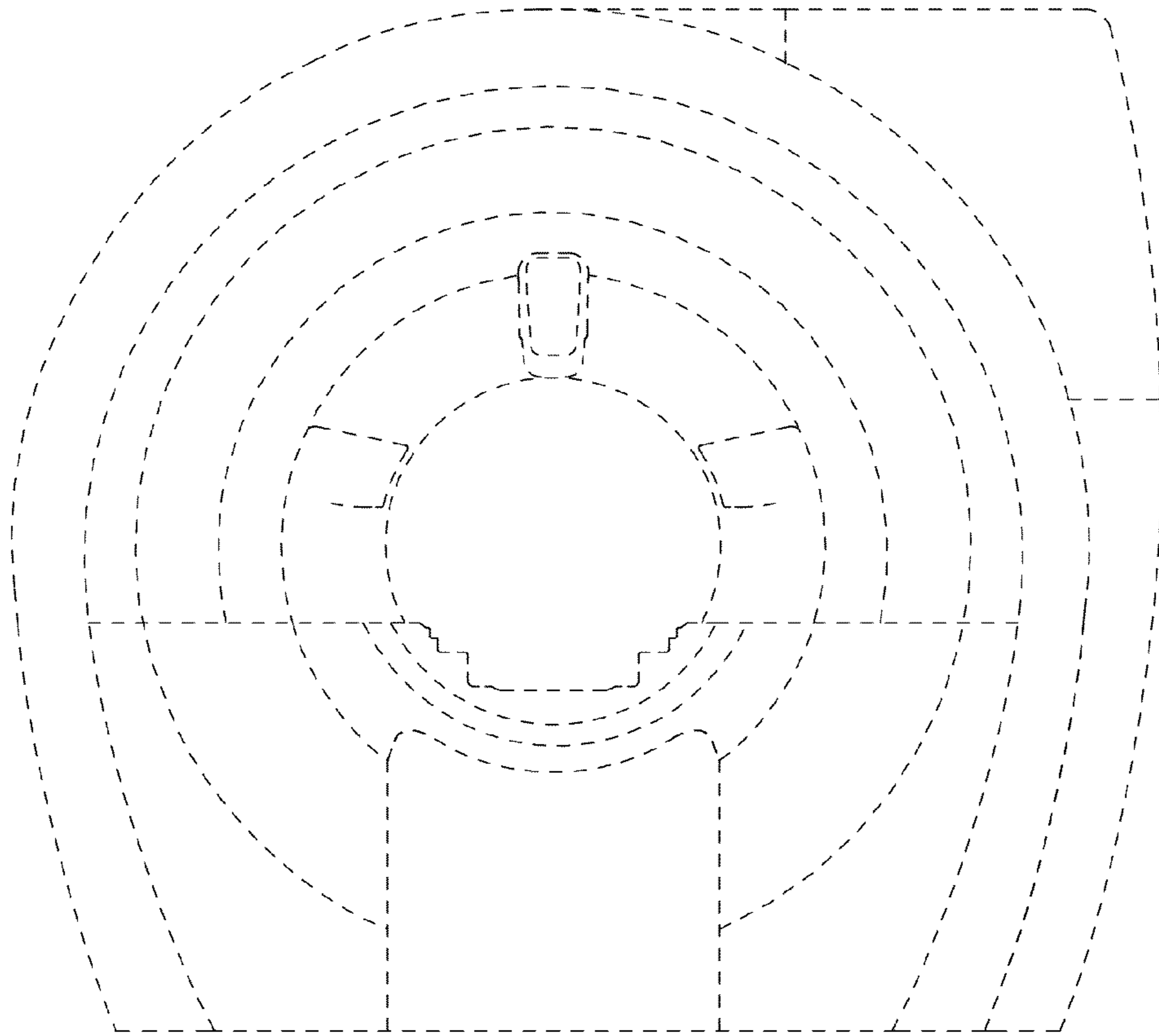


FIG. 3

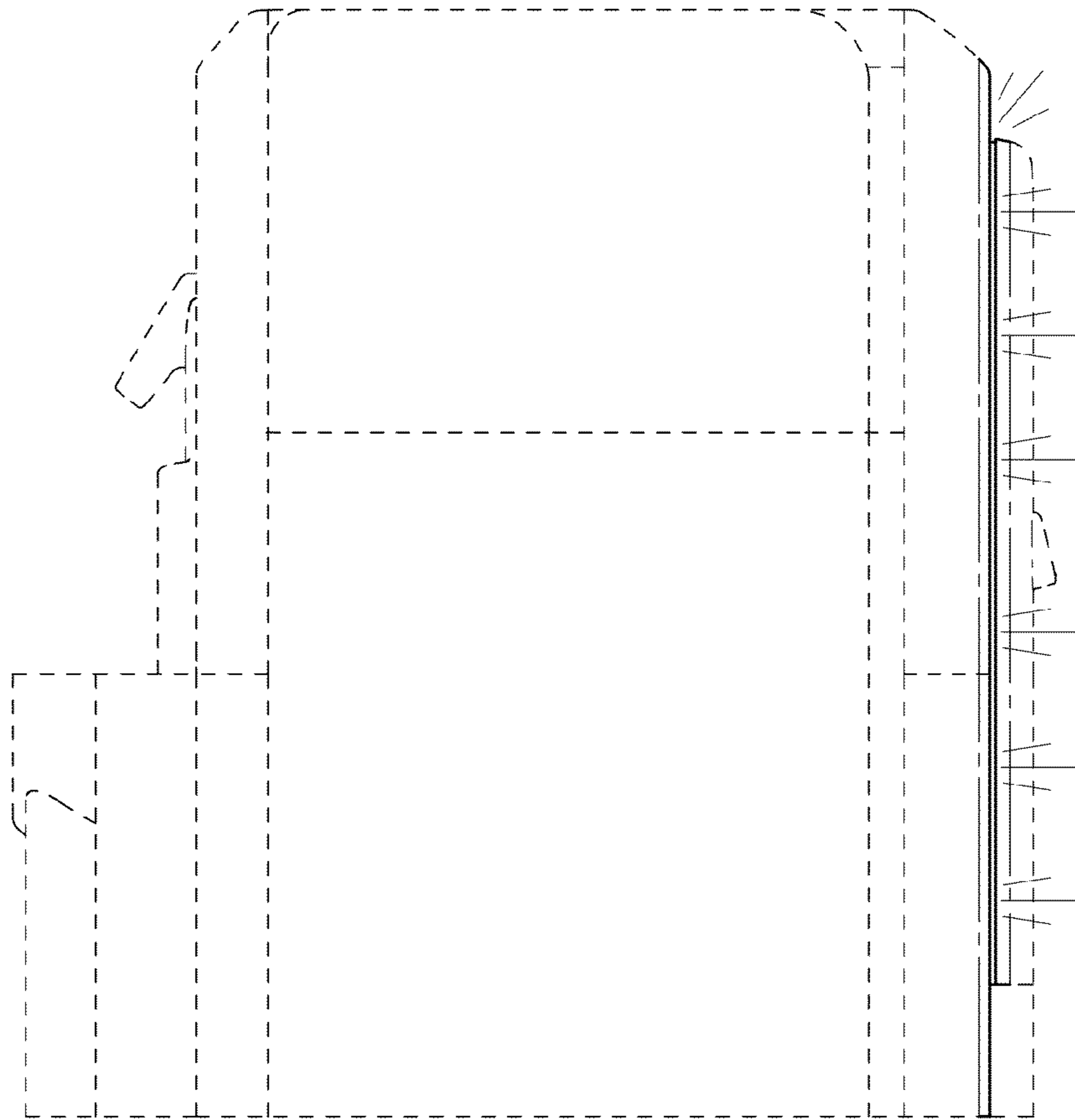


FIG. 4

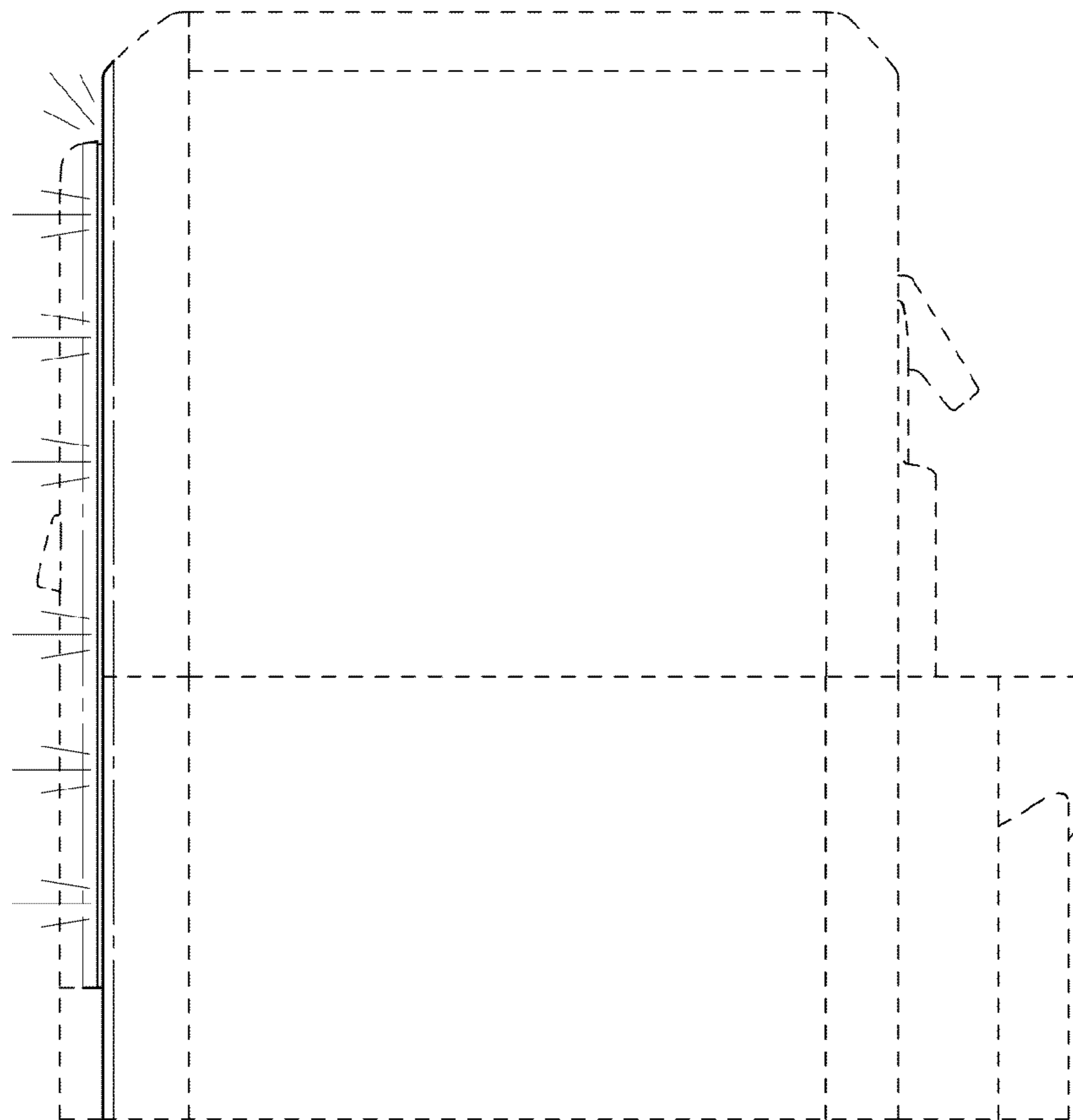


FIG. 5



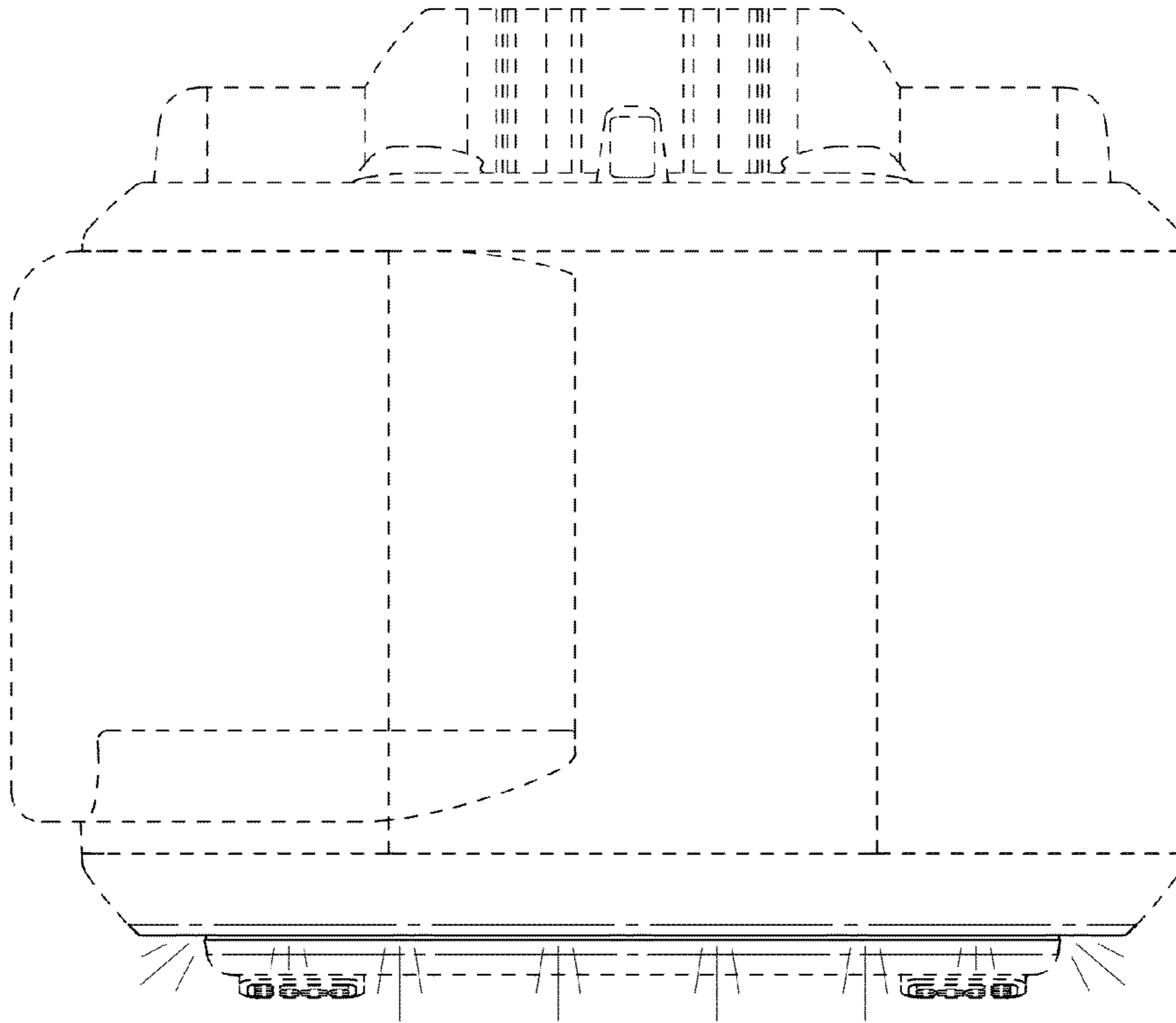


FIG. 6

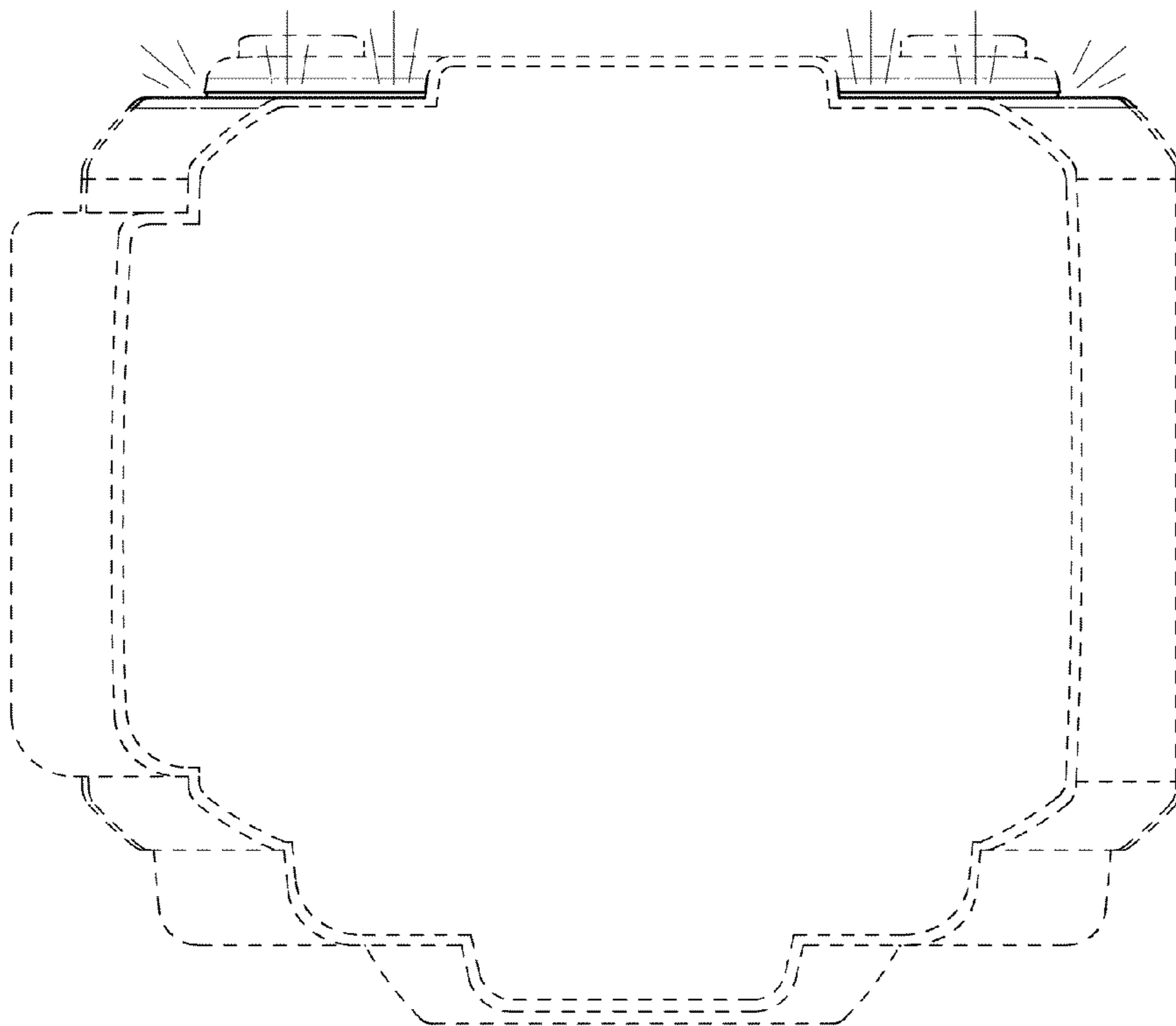


FIG. 7

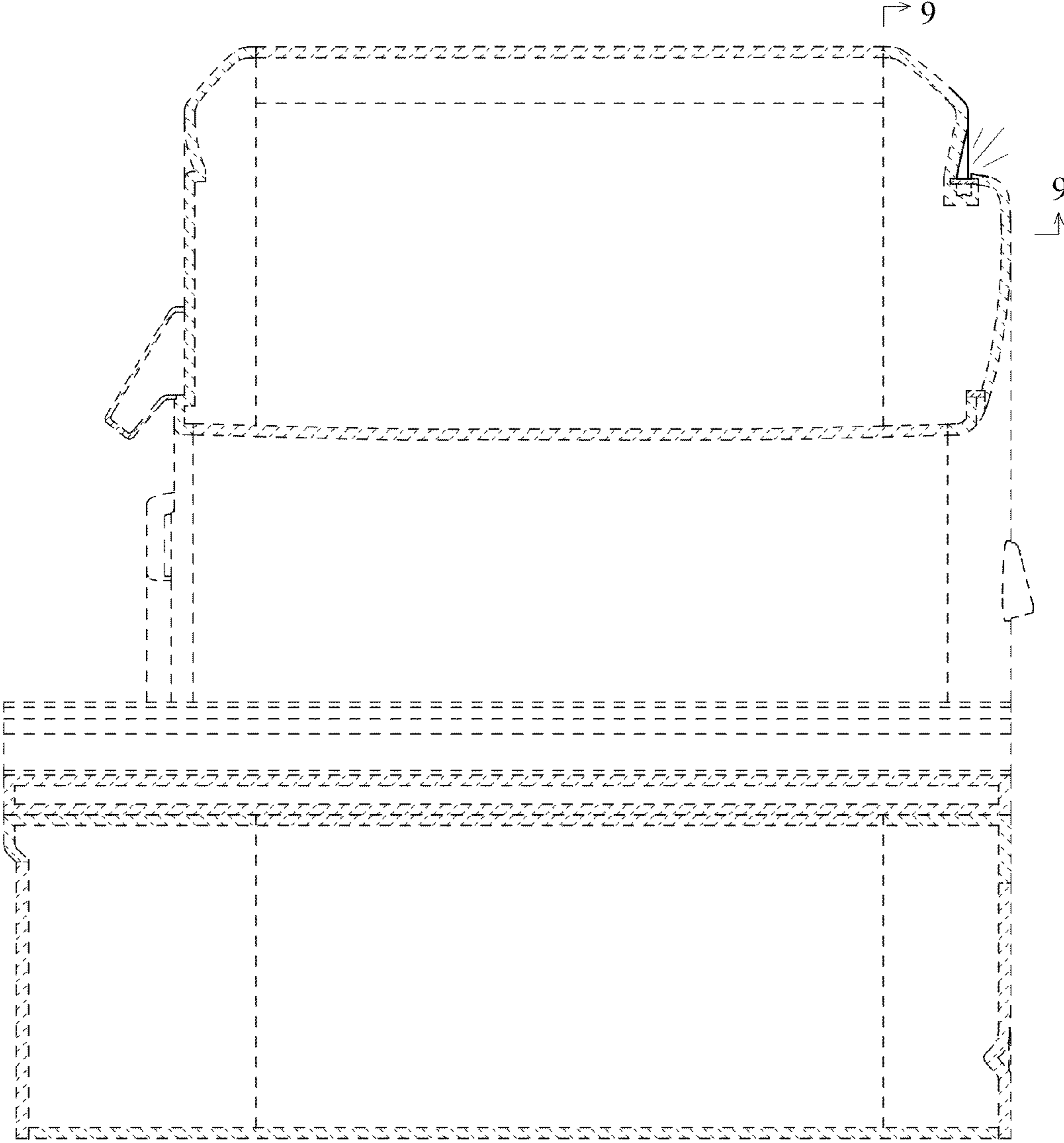


FIG. 8



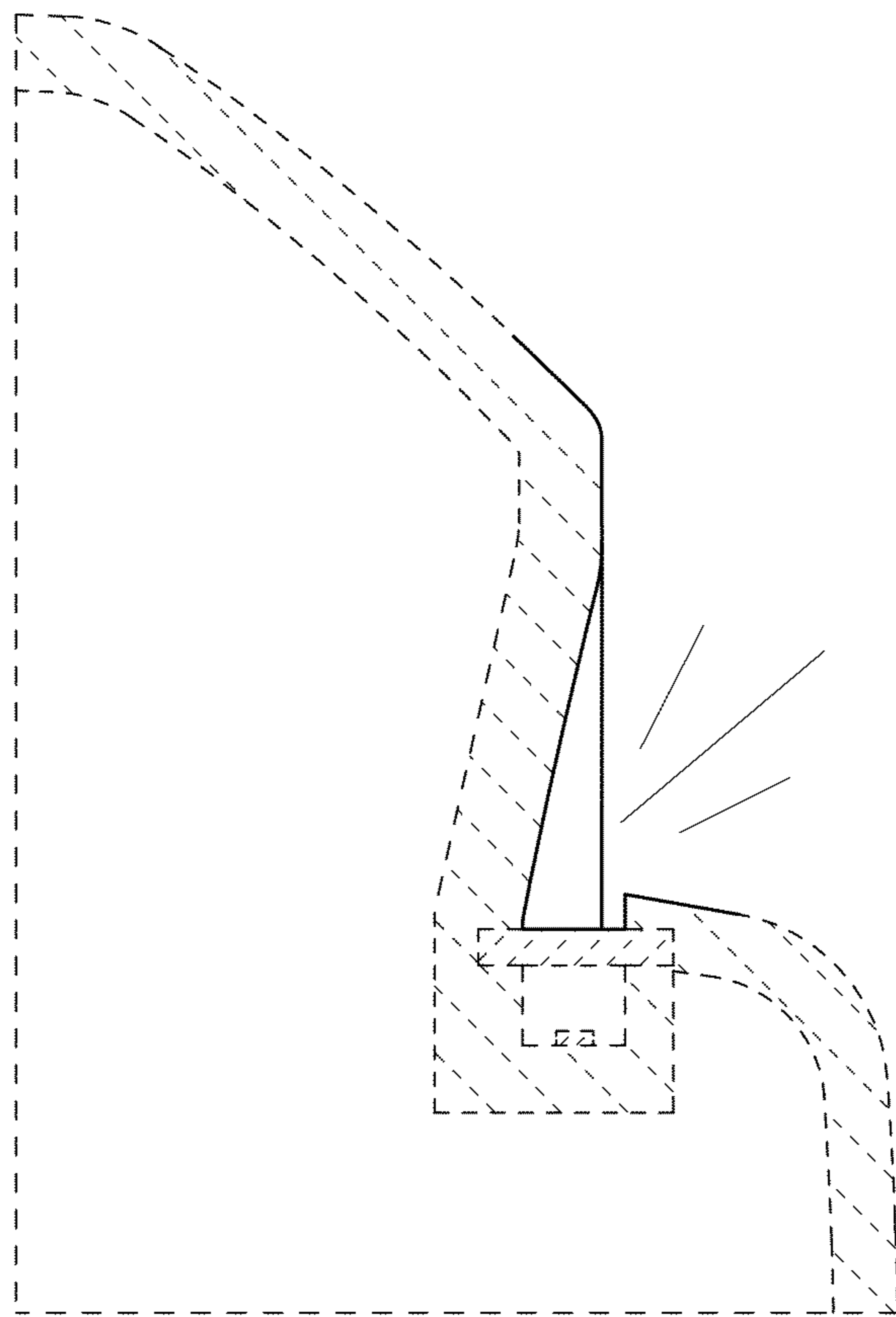


FIG. 9