



US00D683024S

(12) **United States Design Patent**  
**Baba**

(10) **Patent No.:** **US D683,024 S**

(45) **Date of Patent:** **\*\* May 21, 2013**

(54) **ELECTROMAGNETIC WAVE DETECTOR  
FOR A MAGNETIC RESONANCE  
TOMOGRAPHY APPARATUS**

*Primary Examiner* — Anhdao Doan  
(74) *Attorney, Agent, or Firm* — Banner & Witcoff, Ltd.

(75) **Inventor:** **Noriaki Baba**, Tokyo (JP)  
(73) **Assignees:** **Kabushiki Kaisha Toshiba** (JP);  
**Toshiba Medical Systems Corporation**  
(JP)

(57) **CLAIM**  
The ornamental design for the electromagnetic wave detector for a magnetic resonance tomography apparatus, as shown and described.

(\*\*) **Term:** **14 Years**  
(21) **Appl. No.:** **29/419,971**  
(22) **Filed:** **May 3, 2012**

**DESCRIPTION**

(30) **Foreign Application Priority Data**  
Nov. 22, 2011 (JP) ..... 2011-026933  
(51) **LOC (9) Cl.** ..... **24-01**  
(52) **U.S. Cl.**  
USPC ..... **D24/158**  
(58) **Field of Classification Search** ..... D24/158-161,  
D24/185, 186; 378/4, 15, 17, 20, 21, 23-27,  
378/62, 68, 146, 195-198  
See application file for complete search history.

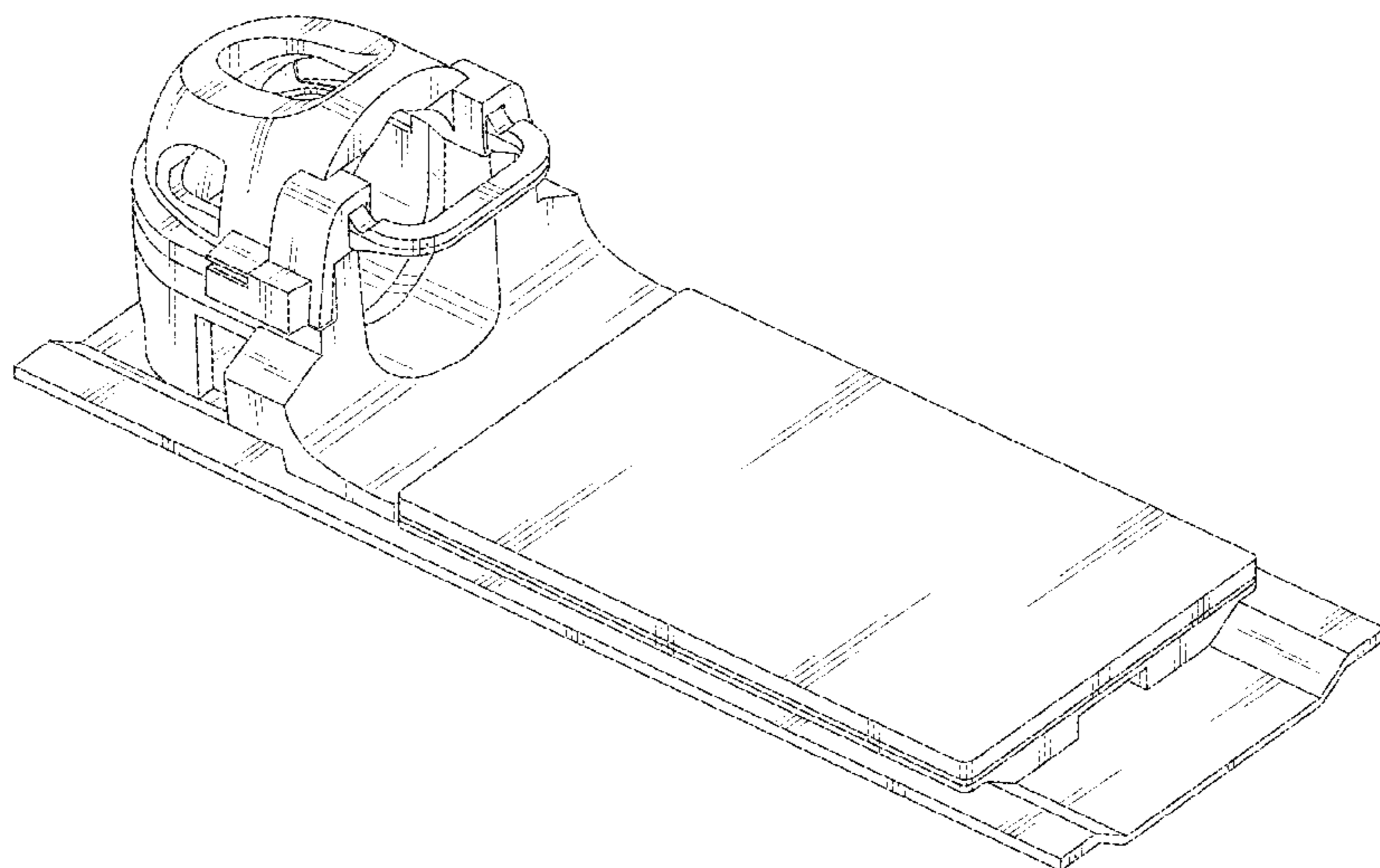
FIG. 1 is a front, top and right side perspective view of the electromagnetic wave detector for a magnetic resonance tomography apparatus, showing my new design;  
FIG. 2 is a front, top and left side perspective view thereof;  
FIG. 3 is a front elevational view thereof; and the opposite side being a mirror image thereof;  
FIG. 4 is a top plan view thereof;  
FIG. 5 is a bottom plan view thereof;  
FIG. 6 is a left side elevational view thereof;  
FIG. 7 is a right side elevational view thereof;  
FIG. 8 is a cross-sectional view thereof, taken along the line 8-8 in FIG. 4, with its internal mechanisms omitted;  
FIG. 9 is a front elevational view with an upper part of a coil detached thereof;  
FIG. 10 is a top plan view with the upper part of the coil detached thereof;  
FIG. 11 is a right side elevational view with the upper part of the coil detached thereof;  
FIG. 12 is a front elevational view of the upper part of the coil thereof;  
FIG. 13 is a bottom plan view of the upper part of the coil thereof; and,  
FIG. 14 is a right side elevational view of the upper part of the coil thereof.  
The broken lines showings in FIG. 8 is for the purpose of illustrating unclaimed portions of the electromagnetic wave detector for a magnetic resonance tomography apparatus. The internal mechanisms omitted as described and the broken lines form no part of the claimed design.

(56) **References Cited**  
**U.S. PATENT DOCUMENTS**  
D320,660 S \* 10/1991 Foreman et al. .... D24/158  
D380,832 S \* 7/1997 Isshiki et al. .... D24/158  
D386,261 S \* 11/1997 Lee et al. .... D24/159  
D447,803 S \* 9/2001 Yanagihara et al. .... D24/159  
D527,105 S \* 8/2006 Kitayama et al. .... D24/158  
D563,556 S \* 3/2008 Baba ..... D24/158  
D592,751 S \* 5/2009 Ninomiya et al. .... D24/158  
D639,953 S \* 6/2011 Wodecki ..... D24/159

**FOREIGN PATENT DOCUMENTS**  
JP 1187080 10/2003  
JP 1402494 11/2010  
JP 1413705 5/2011

\* cited by examiner

**1 Claim, 10 Drawing Sheets**



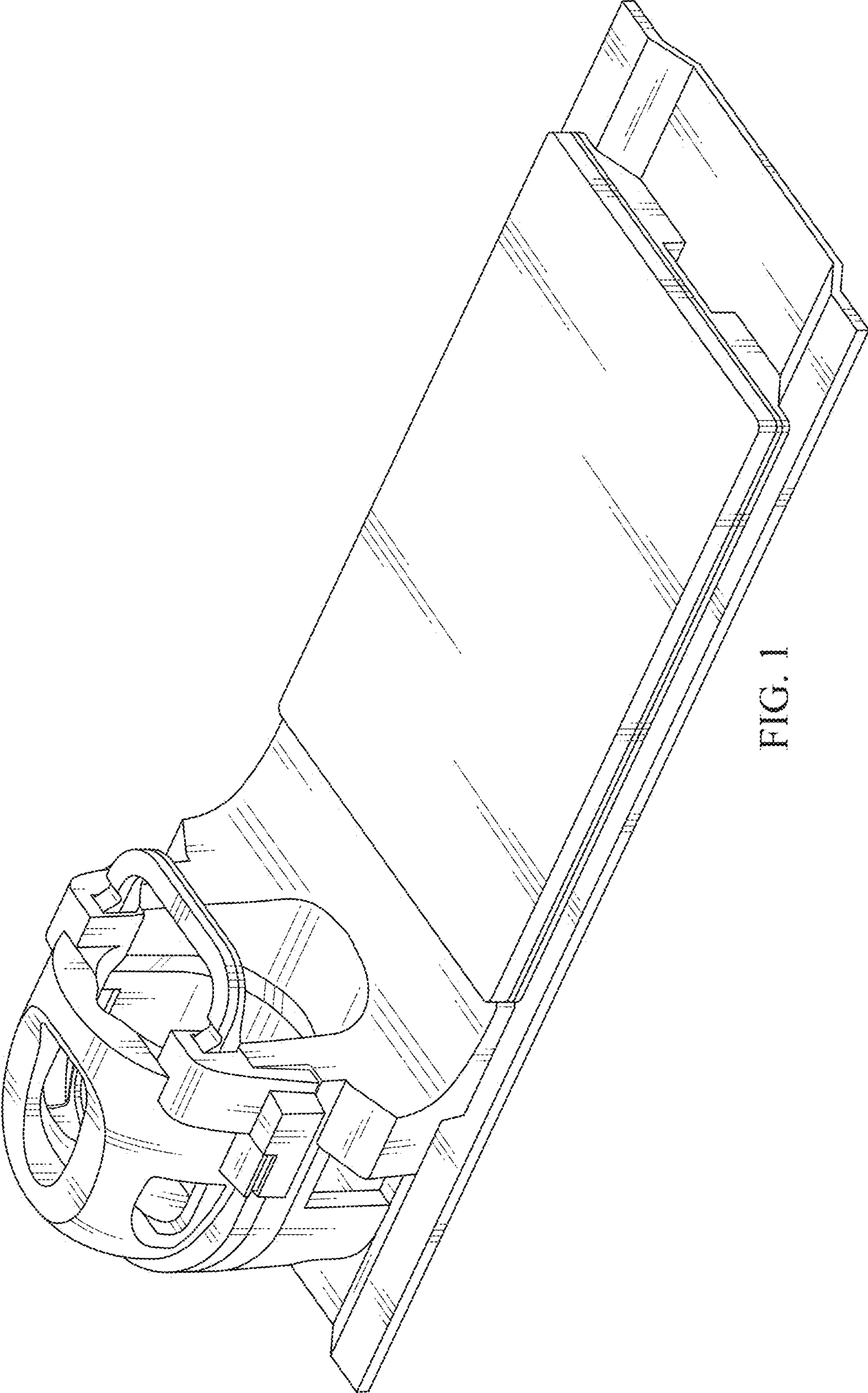


FIG. 1

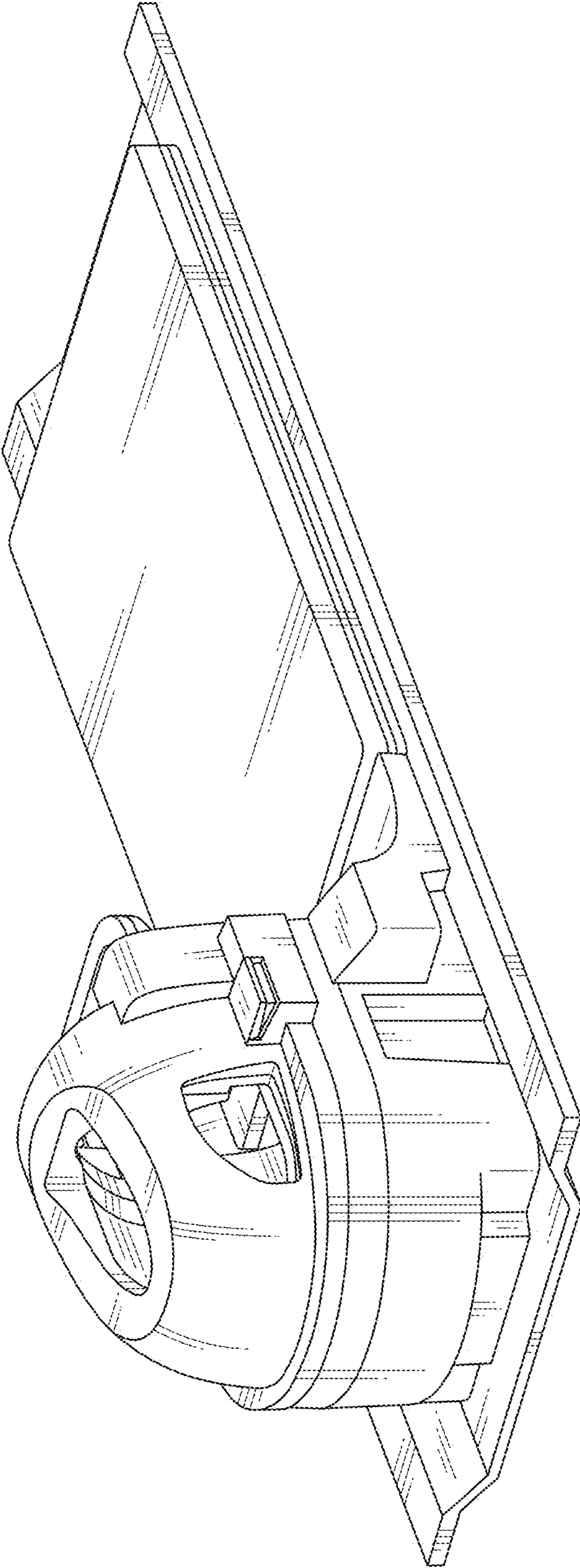


FIG. 2



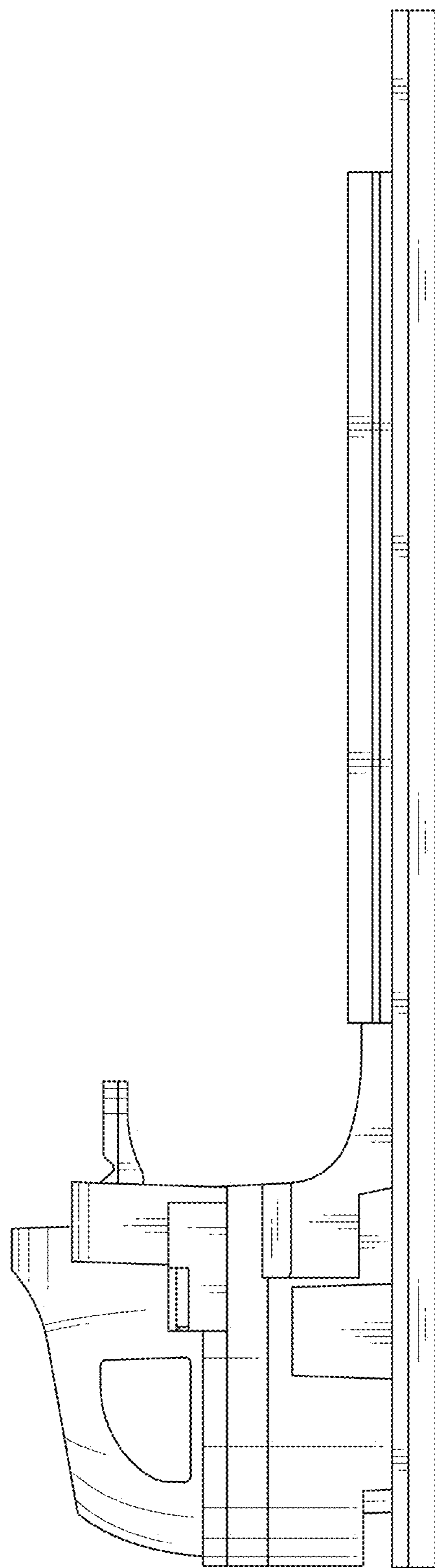


FIG. 3

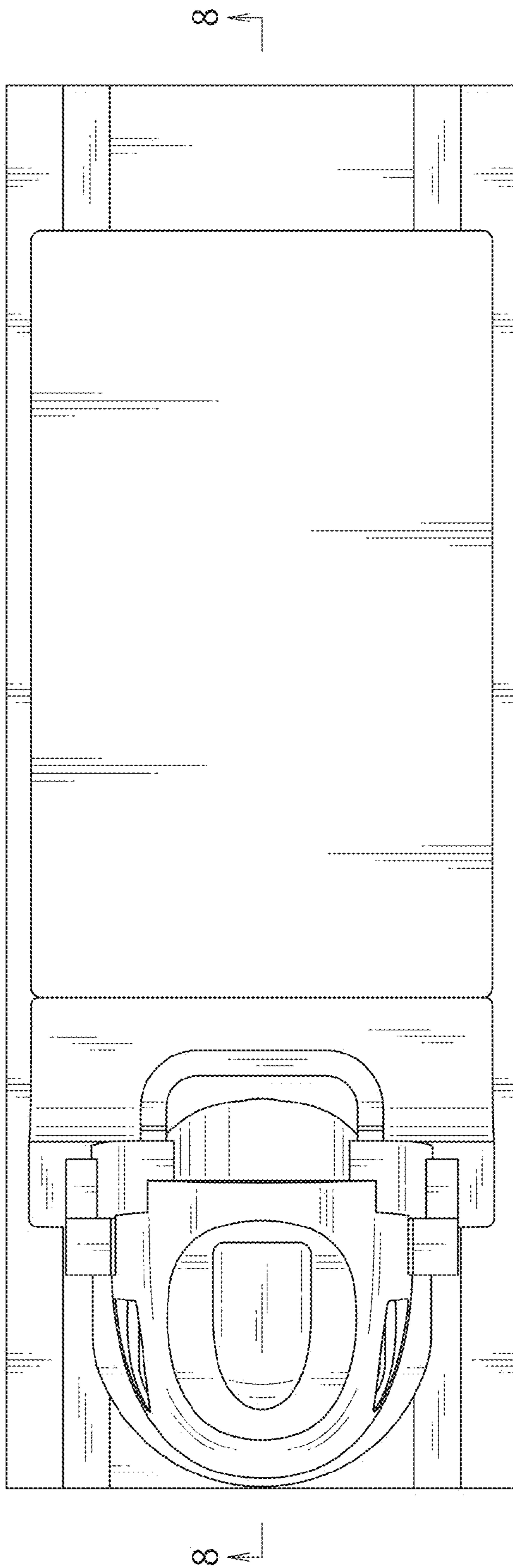


FIG. 4

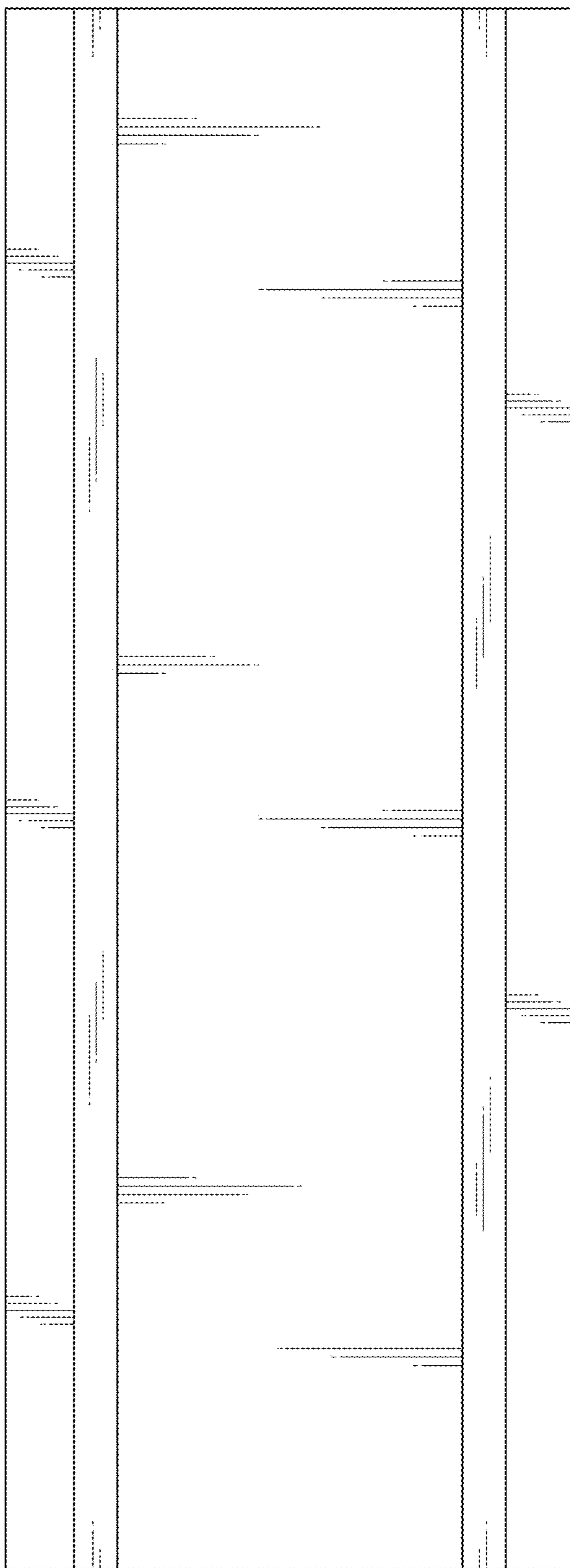


FIG. 5

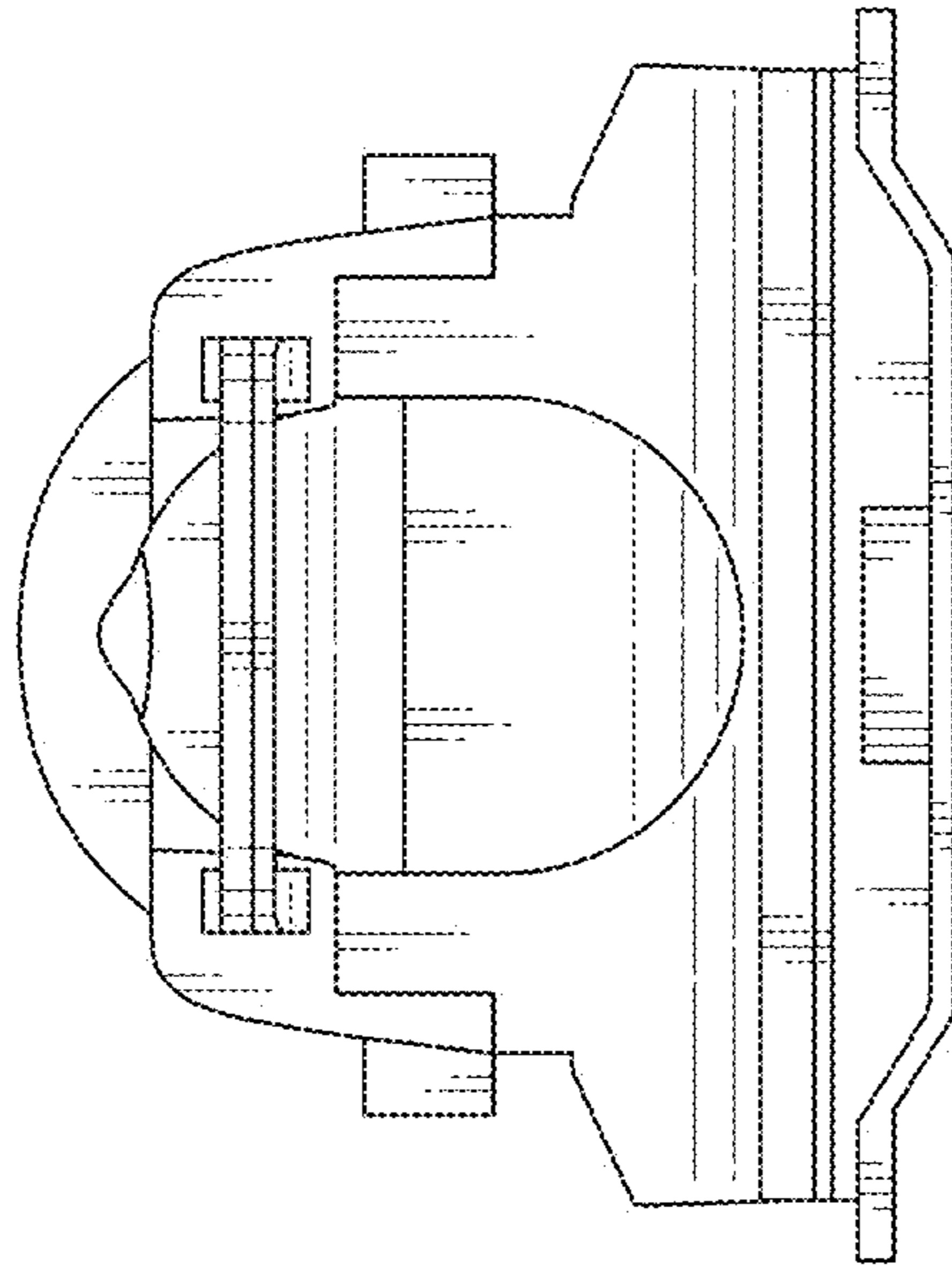


FIG. 7

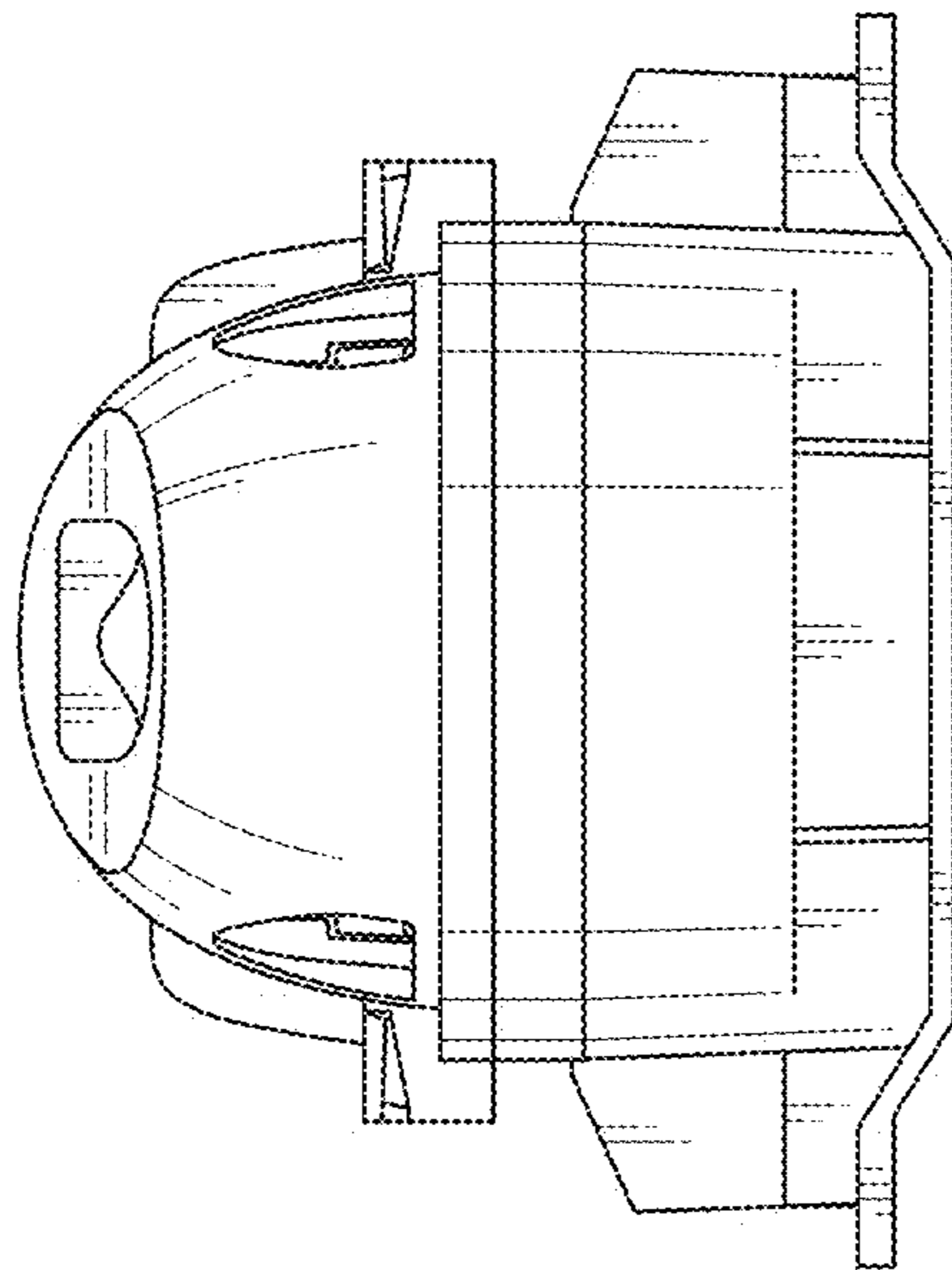


FIG. 6

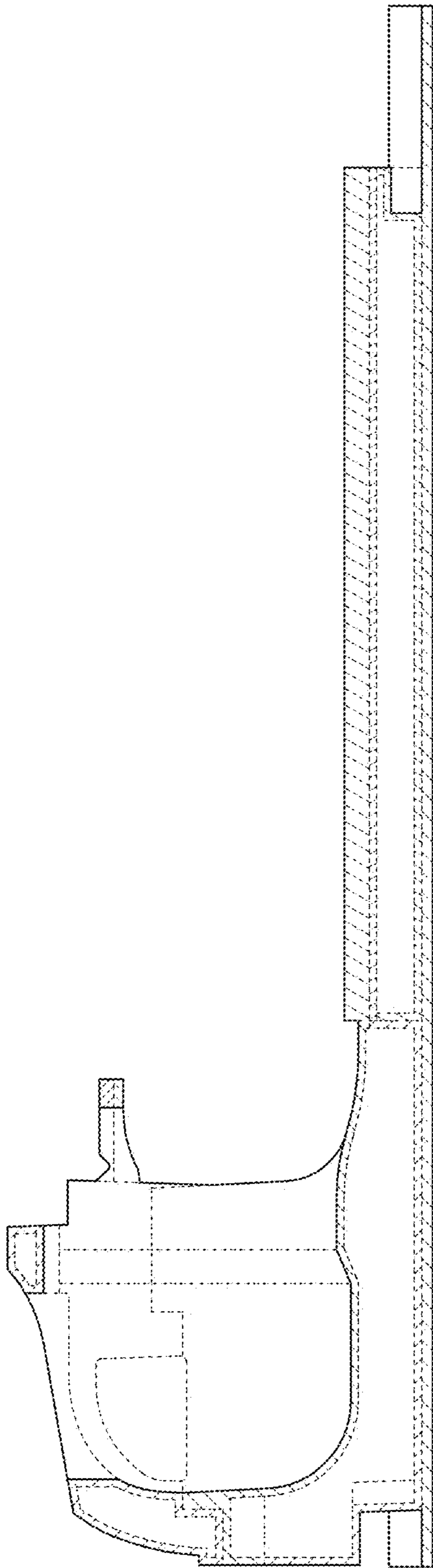


FIG. 8

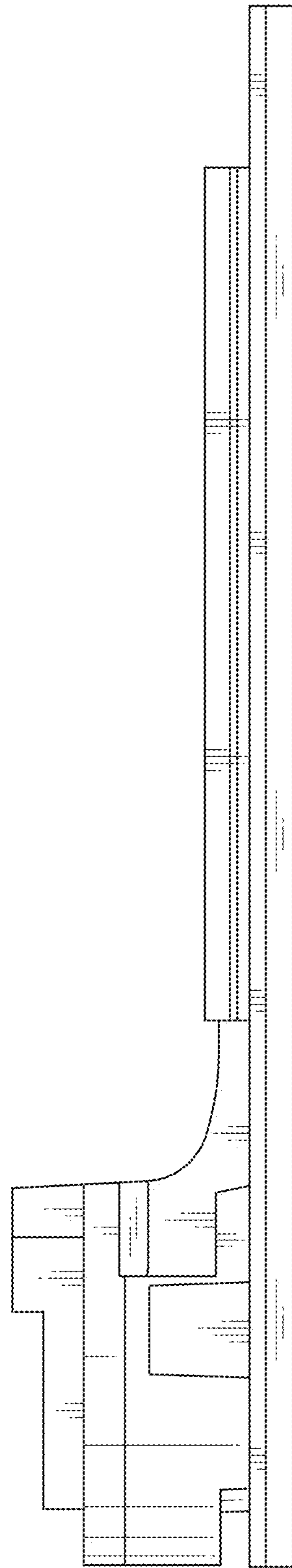


FIG. 9



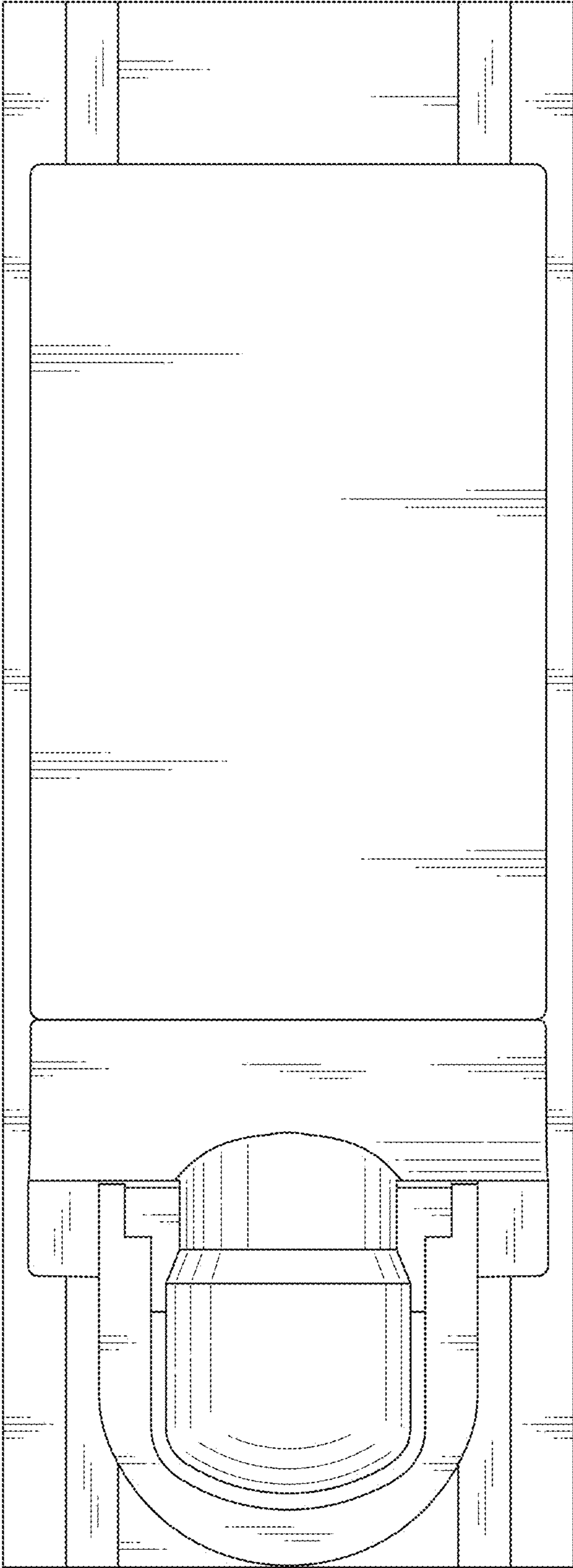


FIG. 10

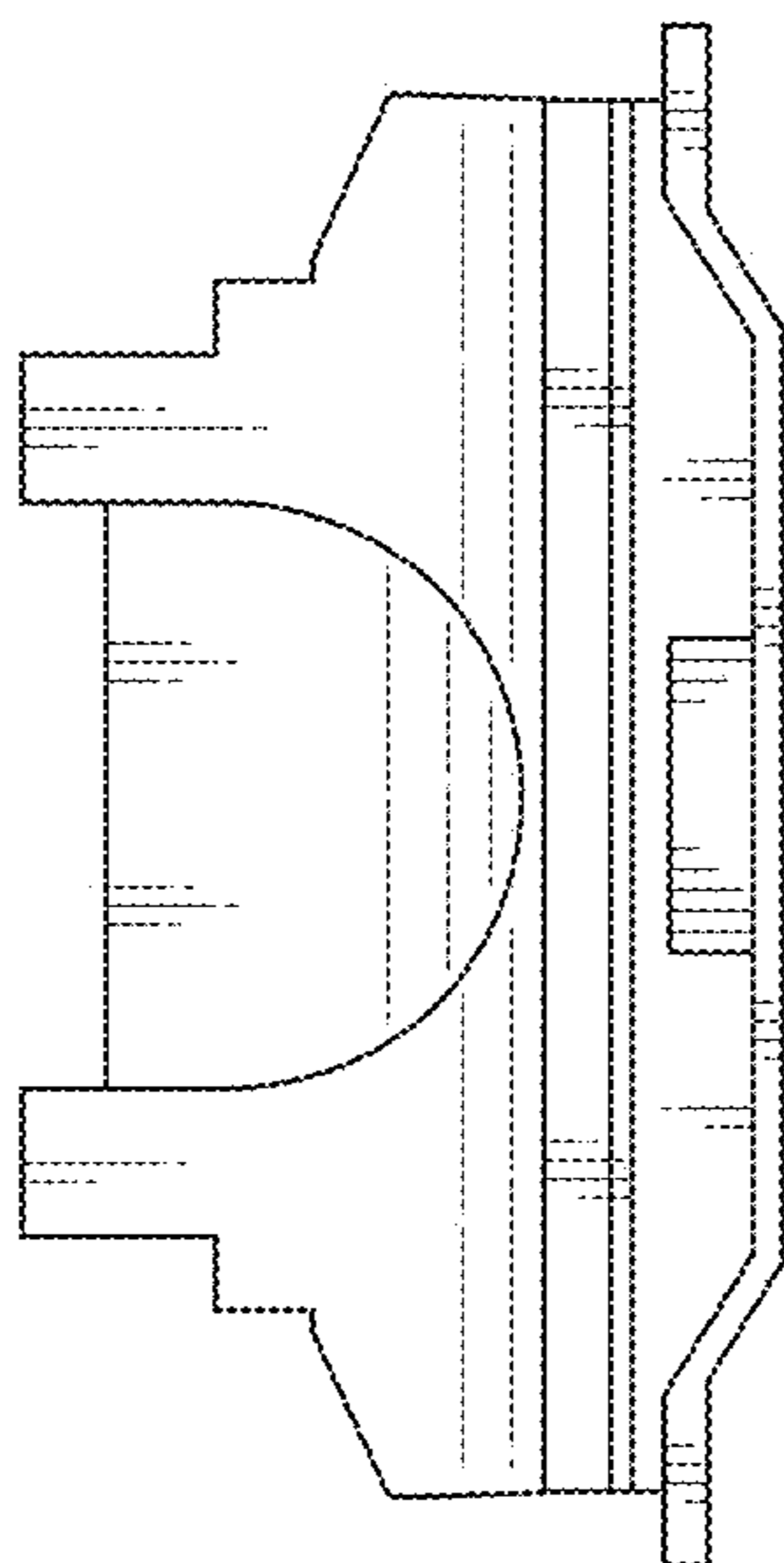


FIG. 11

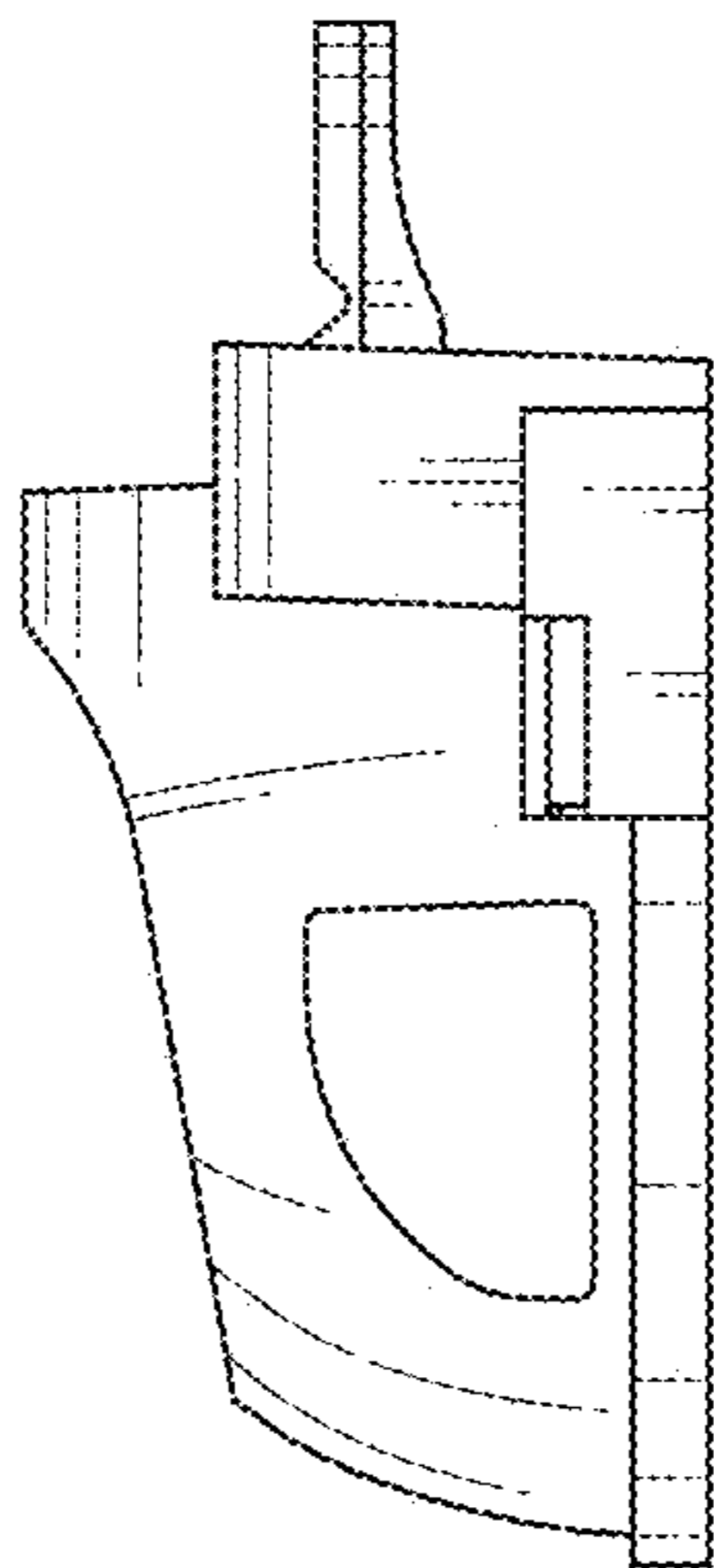


FIG. 12

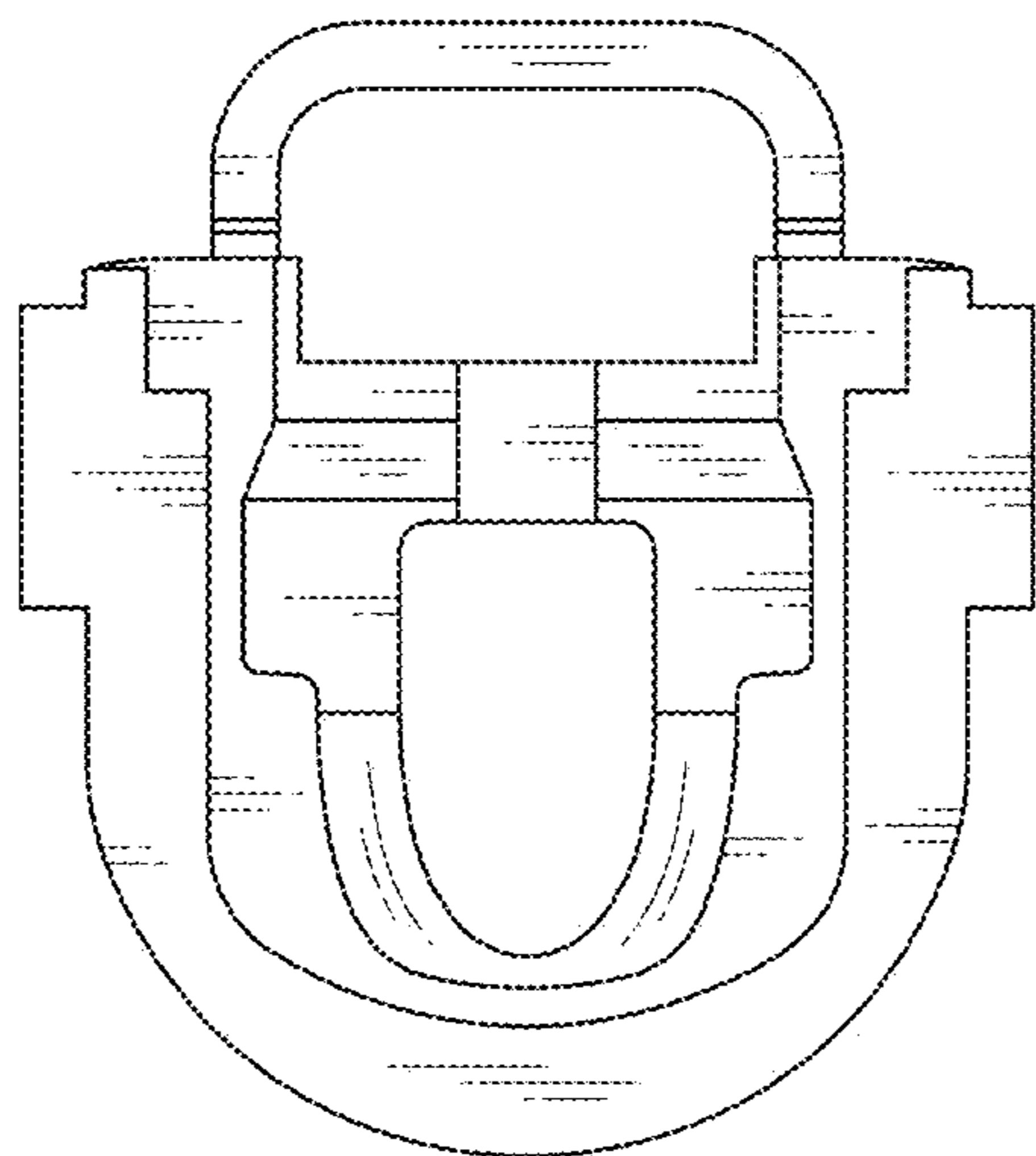


FIG. 13

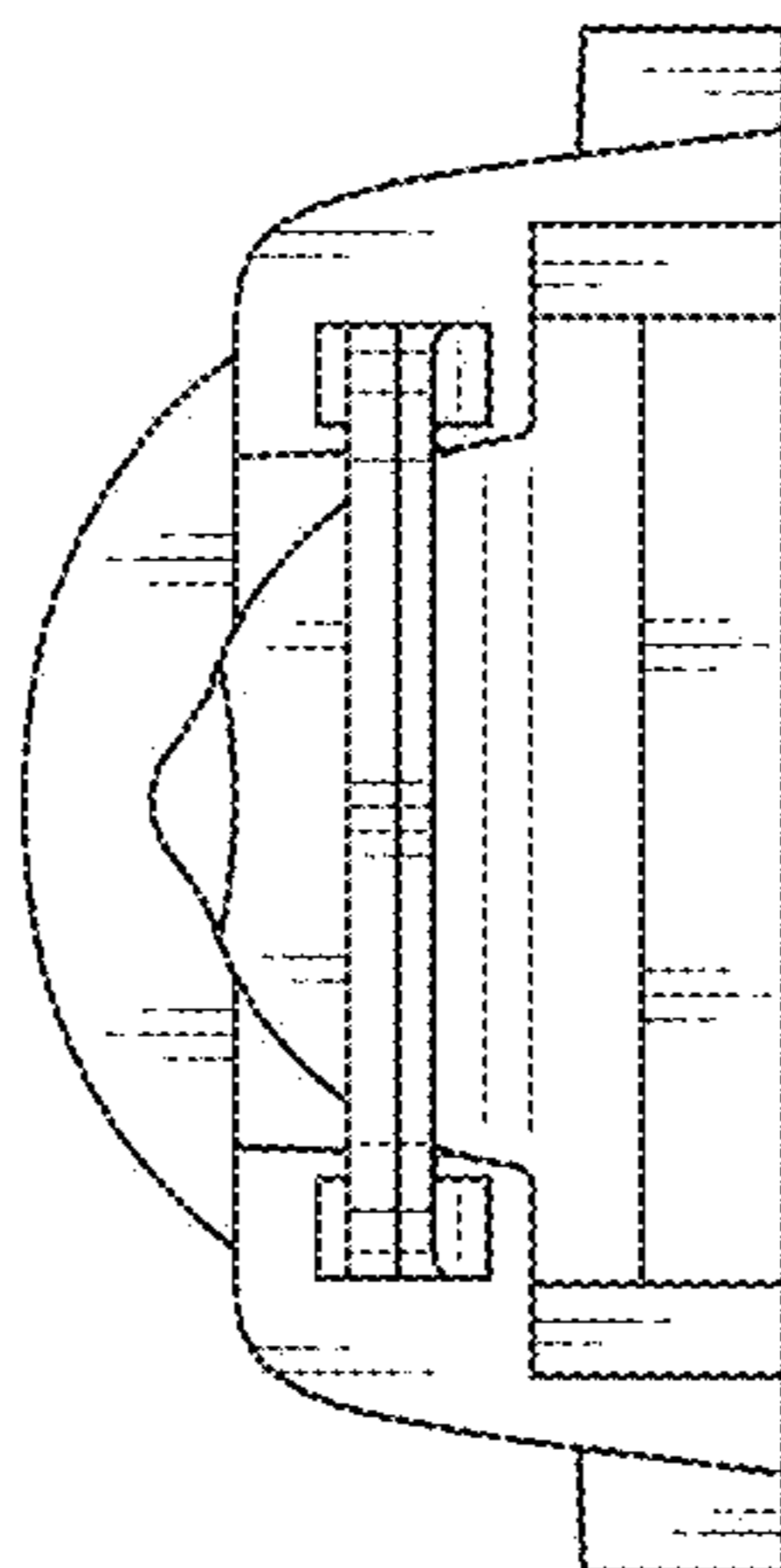


FIG. 14