



US00D683020S

(12) **United States Design Patent**
Boutte

(10) **Patent No.:** **US D683,020 S**

(45) **Date of Patent:** **** May 21, 2013**

(54) **SKIN MARKER**

(75) Inventor: **Martine M. Boutte**, South Glastonbury,
CT (US)

(73) Assignee: **Beekley Corporation**, Bristol, CT (US)

(**) Term: **14 Years**

(21) Appl. No.: **29/367,490**

(22) Filed: **Aug. 9, 2010**

(51) **LOC (9) Cl.** **24-01**

(52) **U.S. Cl.**
USPC **D24/158**

(58) **Field of Classification Search** D24/158-161,
D24/186, 124, 188, 189, 231, 232; 378/4,
378/15, 17, 20, 21, 23-27, 146, 162-166;
128/915; D20/22-38

See application file for complete search history.

(56) **References Cited**

U.S. PATENT DOCUMENTS

2,687,478	A *	8/1954	Land	250/475.2
3,577,160	A *	5/1971	White	378/162
3,848,136	A *	11/1974	Seldin	378/164
4,329,999	A *	5/1982	Phillips	600/573
4,339,035	A *	7/1982	Marcus et al.	206/370
4,693,237	A *	9/1987	Hoffman et al.	128/899
5,088,483	A *	2/1992	Heinecke	602/46
5,193,106	A *	3/1993	DeSena	378/163
5,306,271	A *	4/1994	Zinreich et al.	606/1
5,469,847	A *	11/1995	Zinreich et al.	600/414
5,577,335	A *	11/1996	Tucker	40/311
5,702,128	A *	12/1997	Maxim et al.	283/81
D415,836	S *	10/1999	Dunshee et al.	D24/189
RE36,461	E *	12/1999	Russell et al.	604/180
6,269,148	B1 *	7/2001	Jessop et al.	378/162
D542,852	S *	5/2007	Russell et al.	D20/22

7,602,883	B2 *	10/2009	Joseph et al.	378/162
D627,469	S *	11/2010	Dzierlatka	D24/158
D643,928	S *	8/2011	Dzierlatka	D24/158
2002/0150201	A1 *	10/2002	Schomberg	378/4
2004/0147846	A1 *	7/2004	Mueller et al.	600/476
2009/0022272	A1 *	1/2009	Joseph et al.	378/37
2010/0016713	A1 *	1/2010	Welch	600/426

* cited by examiner

Primary Examiner — Anhdao Doan

(74) *Attorney, Agent, or Firm* — McCarter & English, LLP

(57) **CLAIM**

The ornamental design for a skin marker, as shown and described.

DESCRIPTION

FIG. 1 is a top plan view of a first embodiment of a skin marker;

FIG. 2 is a front elevation view thereof, the right side view being identical to the front elevation view;

FIG. 3 is a rear elevation view thereof, the left side view being identical to the rear elevation view;

FIG. 4 is a bottom plan view thereof;

FIG. 5 is a top plan view of a second embodiment of a skin marker;

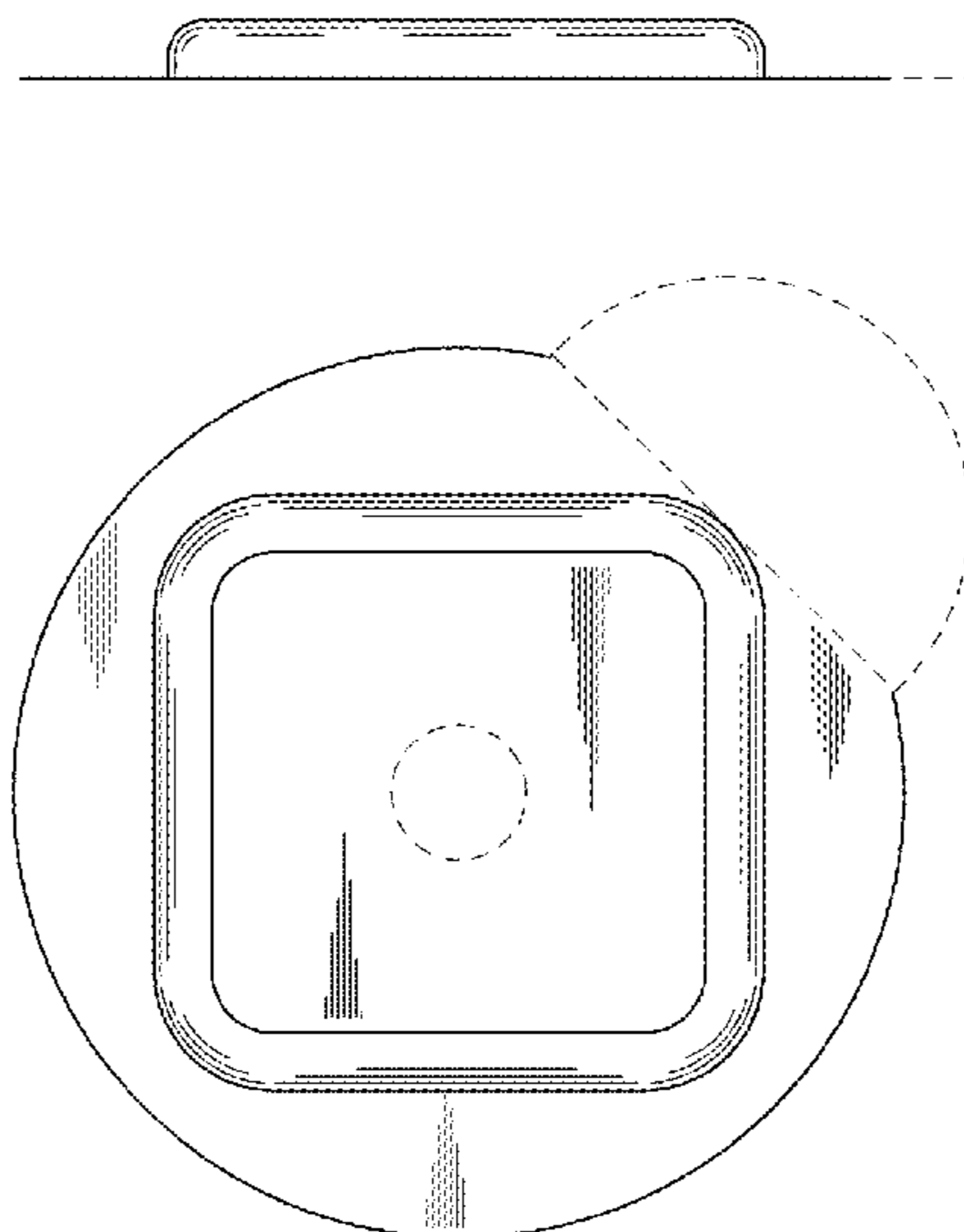
FIG. 6 is a front elevation view thereof, the right side view being identical to the front elevation view;

FIG. 7 is a rear elevation view thereof, the left side view being identical to the rear elevation view; and,

FIG. 8 is a bottom plan view thereof.

The broken lines immediately adjacent the shaded areas represent the bounds of the claim, and all other broken lines in the drawing views are included for the purpose of illustrating portions of the skin marker that form no part of the claimed design.

1 Claim, 2 Drawing Sheets



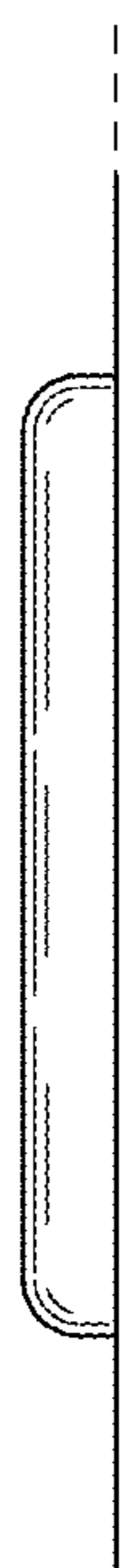


FIG. 2

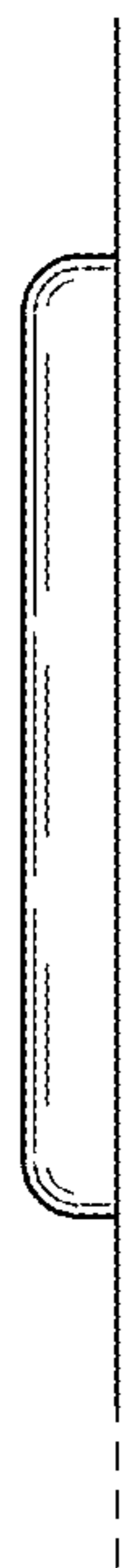


FIG. 3

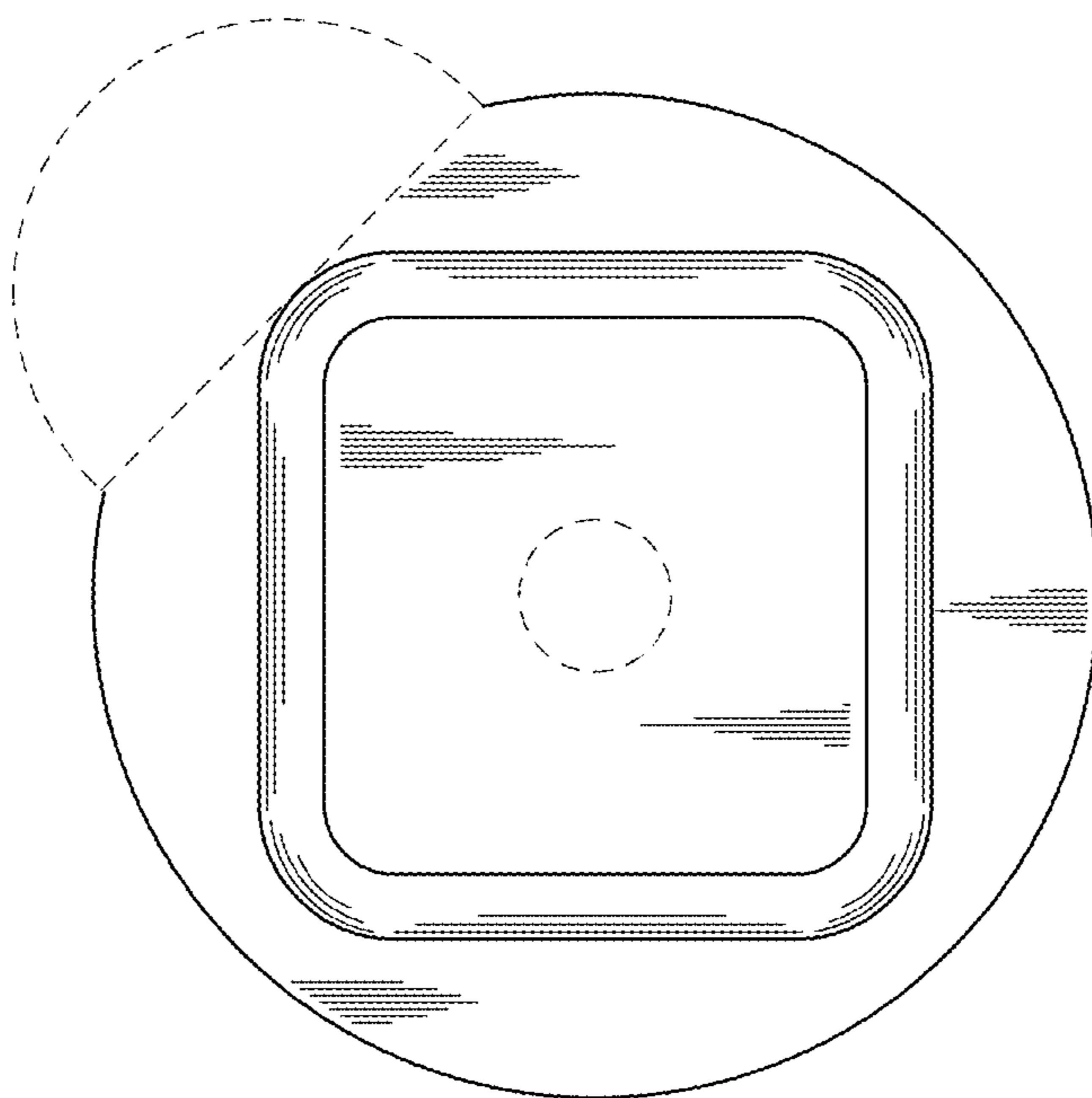


FIG. 1

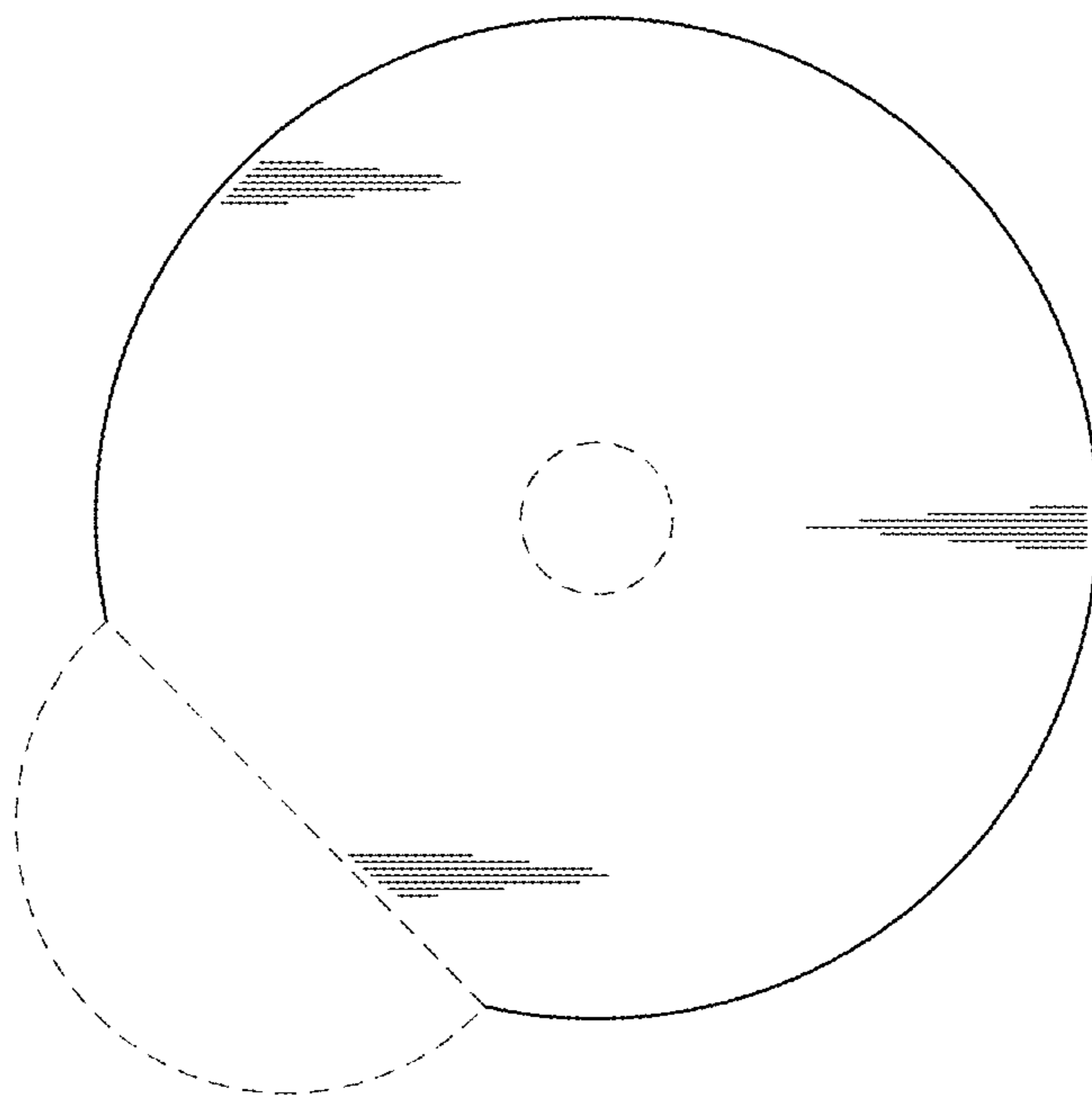


FIG. 4



FIG. 6

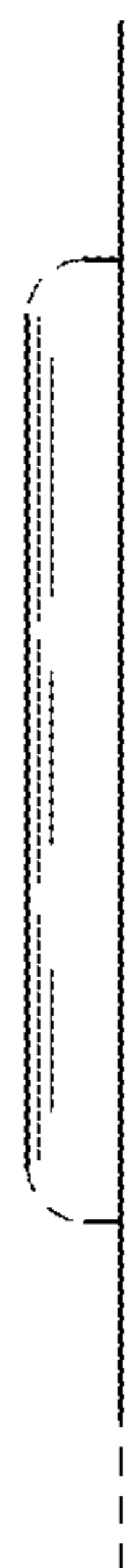


FIG. 7

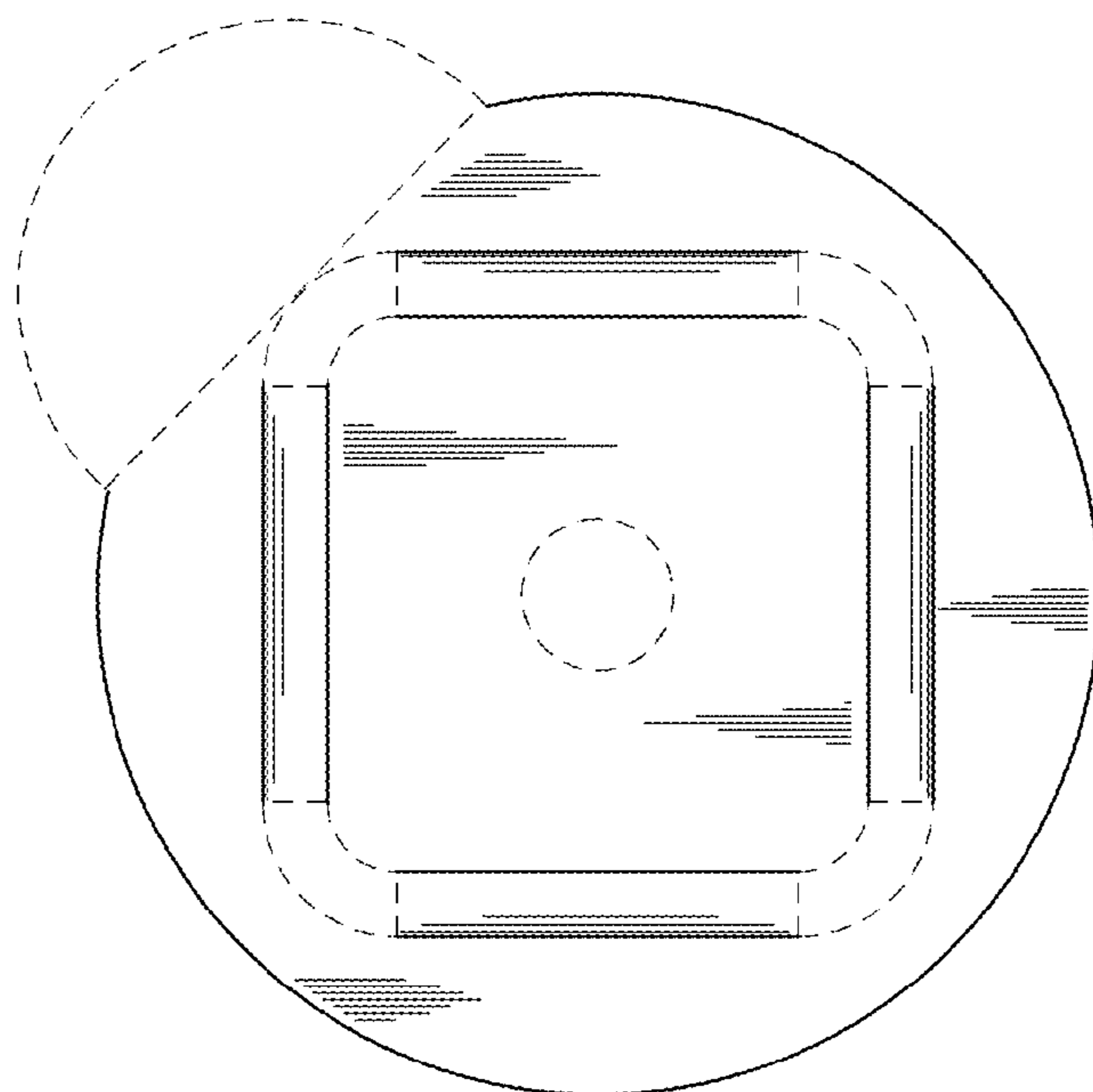


FIG. 5

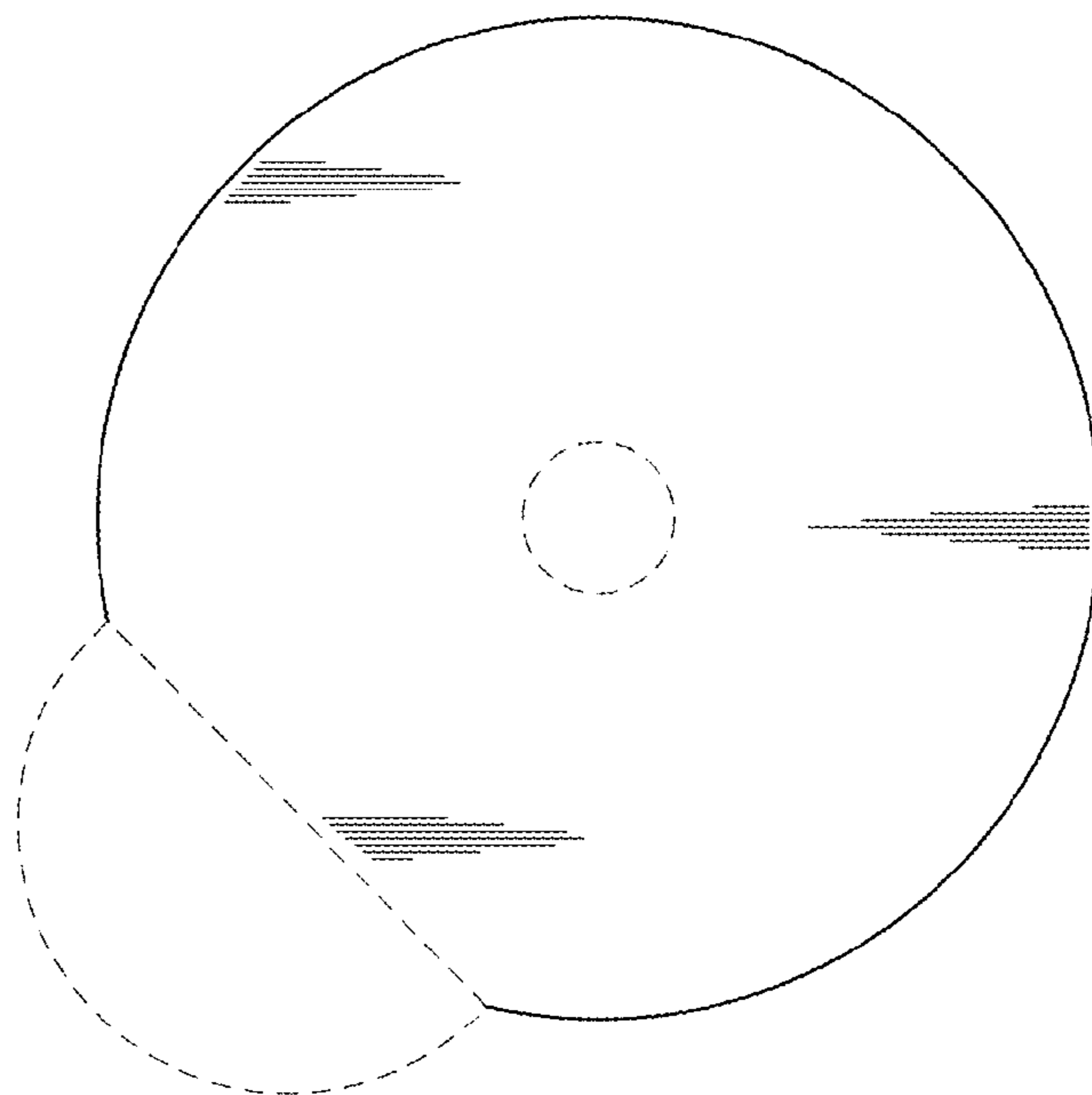


FIG. 8