



US00D683018S

(12) **United States Design Patent**  
**Herivel et al.**

(10) **Patent No.:** **US D683,018 S**

(45) **Date of Patent:** **\*\* May 21, 2013**

(54) **DISPOSABLE HYDRATION POUCH**

(76) Inventors: **Gregory Ellis Herivel**, Thornton, CO  
(US); **Jeffrey Brooks Goodner**,  
Highlands Ranch, CO (US)

(\*\*) Term: **14 Years**

(21) Appl. No.: **29/408,314**

(22) Filed: **Dec. 9, 2011**

(51) **LOC (9) Cl.** ..... **24-02**

(52) **U.S. Cl.**  
USPC ..... **D24/118; D3/202**

(58) **Field of Classification Search** ..... D24/118,  
D24/127, 108, 128, 111, 191, 190, 206; 604/317,  
604/327, 408, 403, 108, 339, 92, 415, 410,  
604/332, 333; 128/DIG. 24; 383/22, 23,  
383/35; D9/707, 709, 696; 206/219; D18/56;  
D3/202, 215, 226; 222/175, 526, 527, 529;  
220/705

See application file for complete search history.

7,311,231	B2	12/2007	Noell et al.	
7,490,740	B2 *	2/2009	Robins et al.	222/175
7,565,987	B2	7/2009	Bauer	
D598,645	S *	8/2009	McSavaney	D3/202
D599,484	S *	9/2009	Gray et al.	D24/206
7,648,276	B2	1/2010	Gill	
D612,936	S *	3/2010	Cremonese	D24/118
7,806,300	B1	10/2010	Noell et al.	
8,182,151	B2 *	5/2012	Dodgen	222/175
D668,345	S *	10/2012	Baumwald	D24/206
2004/0238571	A1	12/2004	Noell et al.	
2006/0027611	A1	2/2006	Hobbs	
2006/0038028	A1	2/2006	Miller et al.	
2006/0071006	A1	4/2006	Lojkutz et al.	
2010/0127007	A1	5/2010	Dodgen	

\* cited by examiner

*Primary Examiner* — David Muller

(74) *Attorney, Agent, or Firm* — John A. Arsenault

(57) **CLAIM**

I claim the ornamental design for a disposable hydration pouch, as shown and described.

**DESCRIPTION**

FIG. 1 is a front view of the disposable hydration pouch embodying my novel design;  
FIG. 2 is a rear view thereof;  
FIG. 3 is a left-side view thereof;  
FIG. 4 is a right-side view thereof;  
FIG. 5 is a top view thereof; and,  
FIG. 6 is a bottom view thereof.  
The broken line showing of parts of the drawings is included for the purpose of illustrating use and environment and forms no part of the claimed design.

**1 Claim, 4 Drawing Sheets**

(56) **References Cited**

U.S. PATENT DOCUMENTS

2,041,515	A	3/1935	Richards	
3,164,151	A *	1/1965	Vere Nicoll	D24/191
D261,430	S *	10/1981	Baturin	D24/190
D263,625	S *	3/1982	McKnight et al.	D24/191
D288,409	S *	2/1987	Mikkelsen	D9/707
D337,382	S *	7/1993	Wallace	D24/118
5,816,457	A	10/1998	Croft	
5,941,640	A	8/1999	Thatcher	
6,409,048	B1 *	6/2002	Belzeski	222/175
7,073,688	B2	7/2006	Choi et al.	
D539,028	S *	3/2007	Robins et al.	D3/202

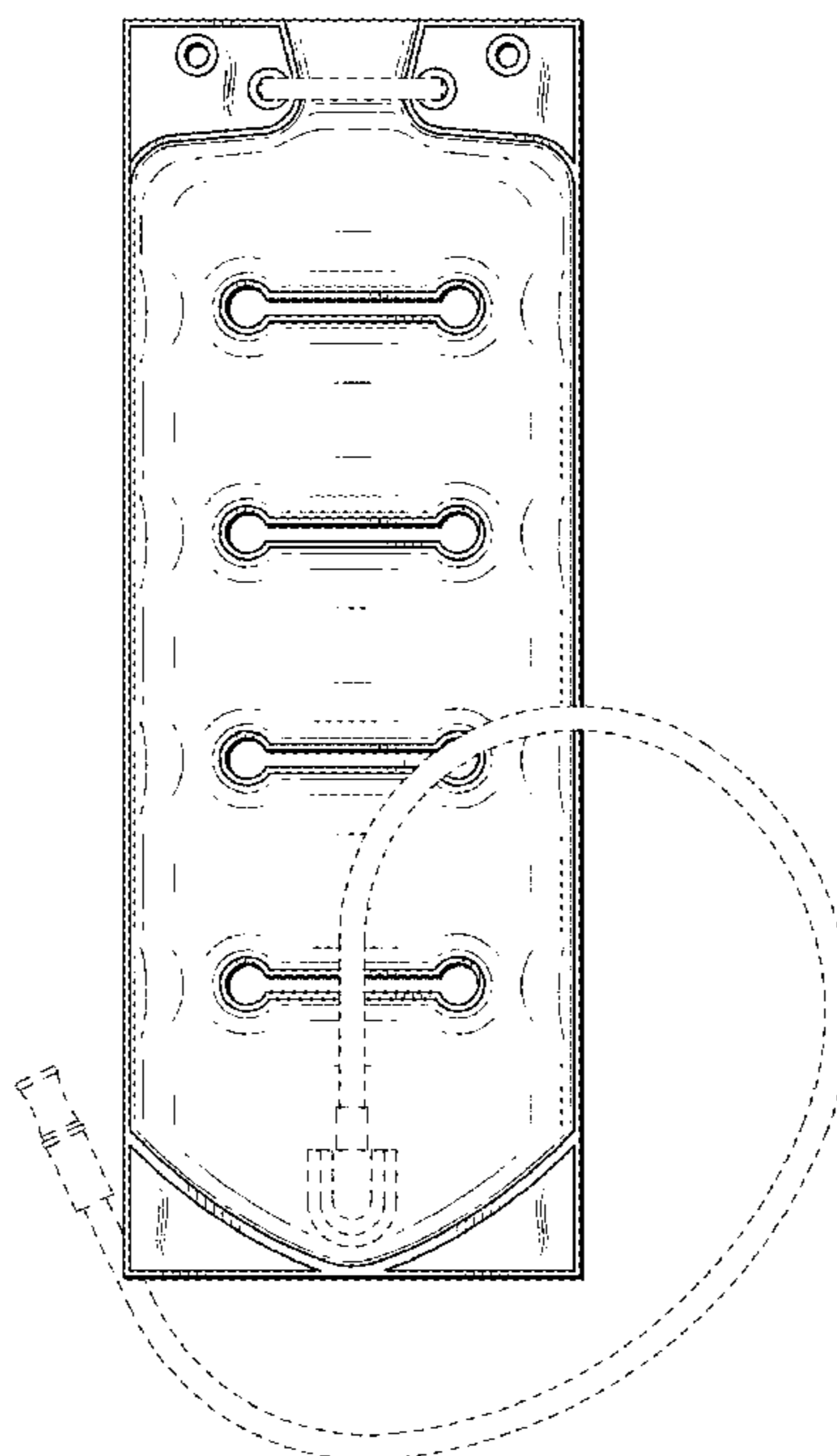


FIG. 1

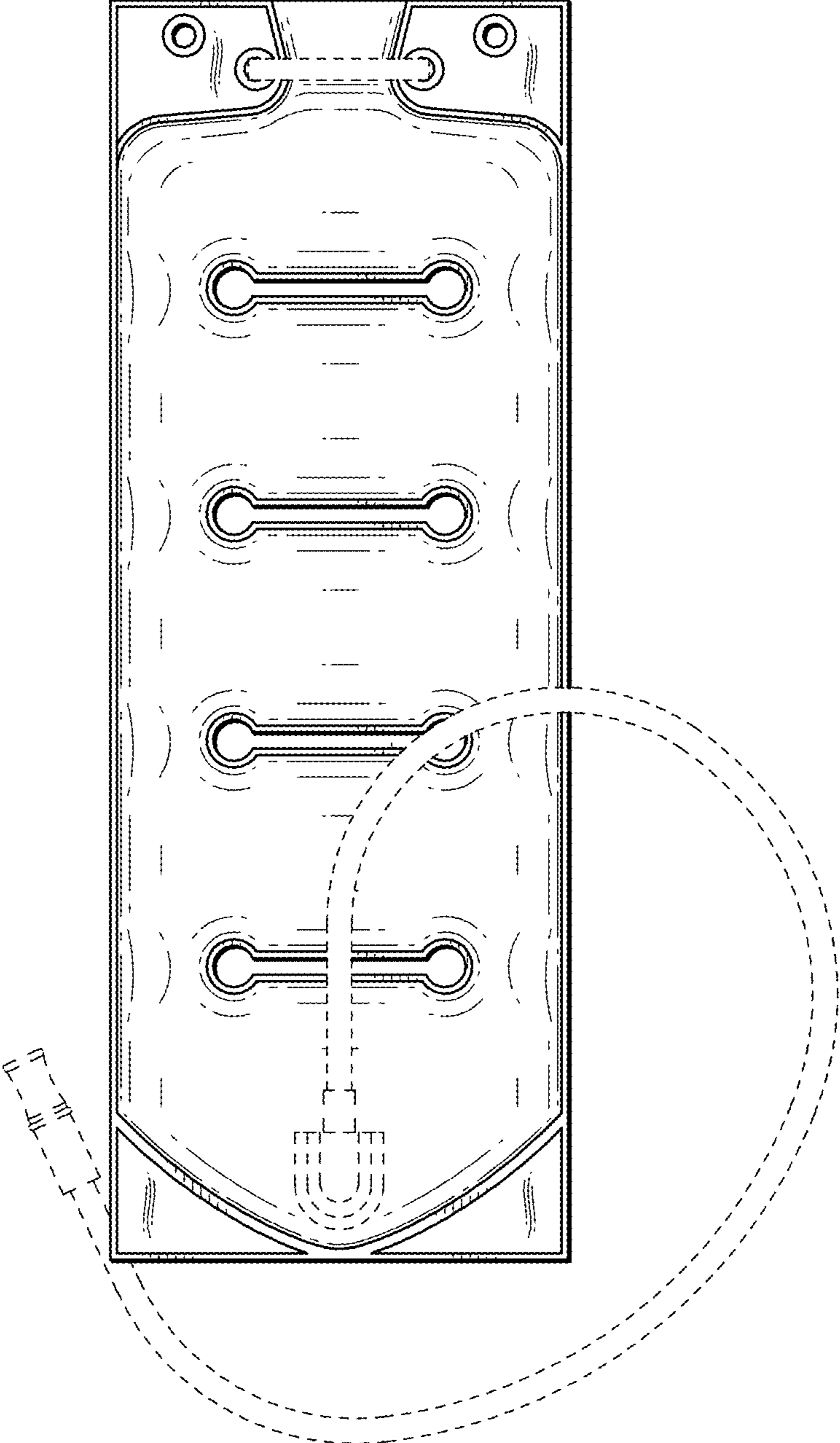


FIG. 2

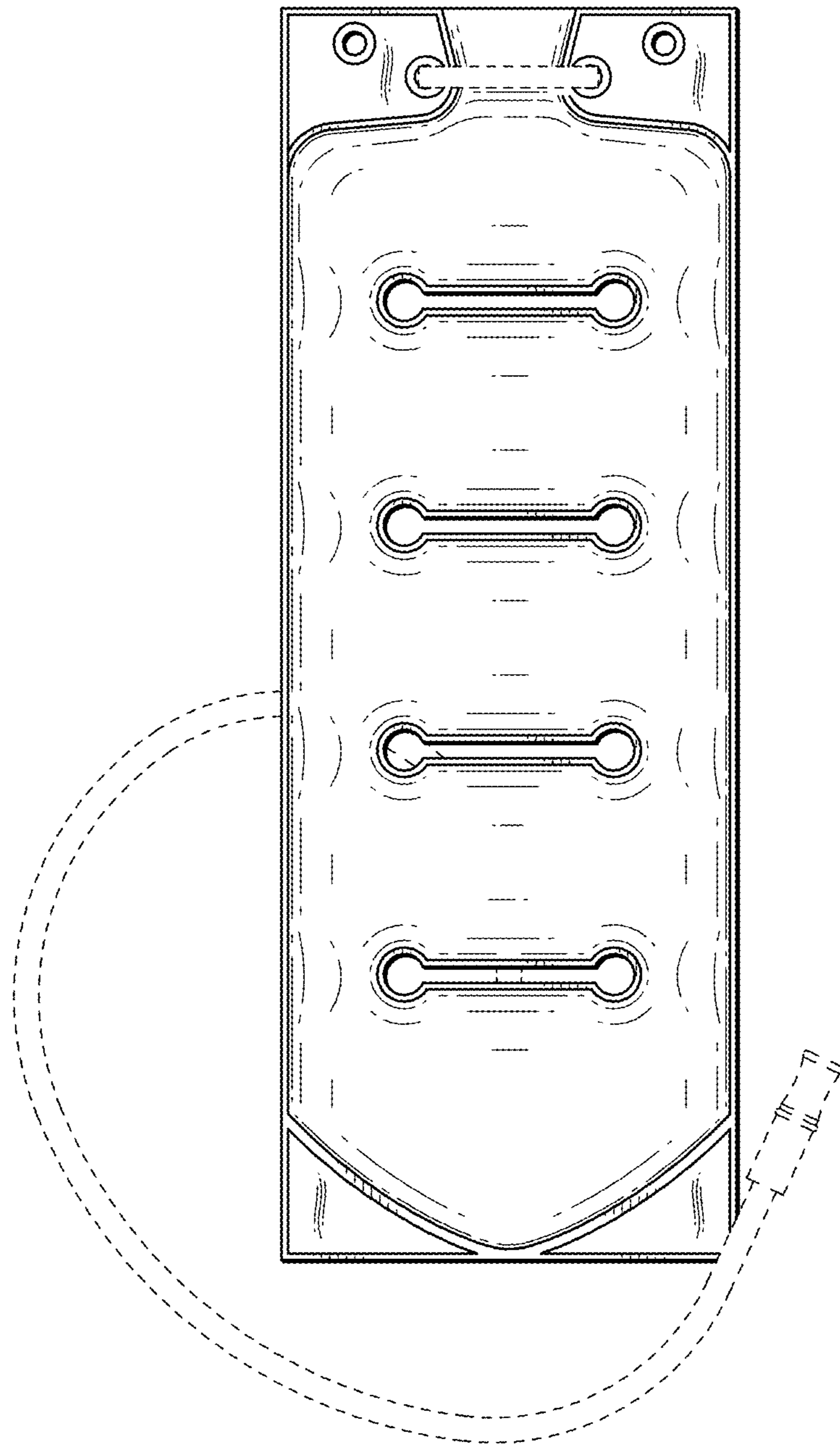


FIG. 3

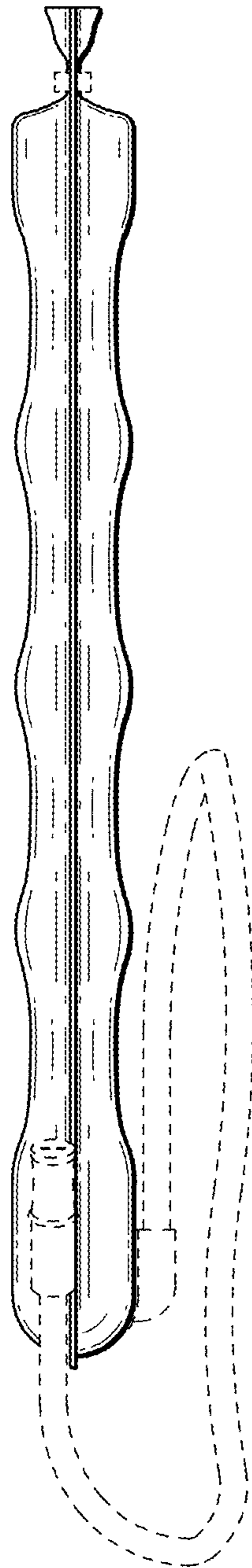


FIG. 4

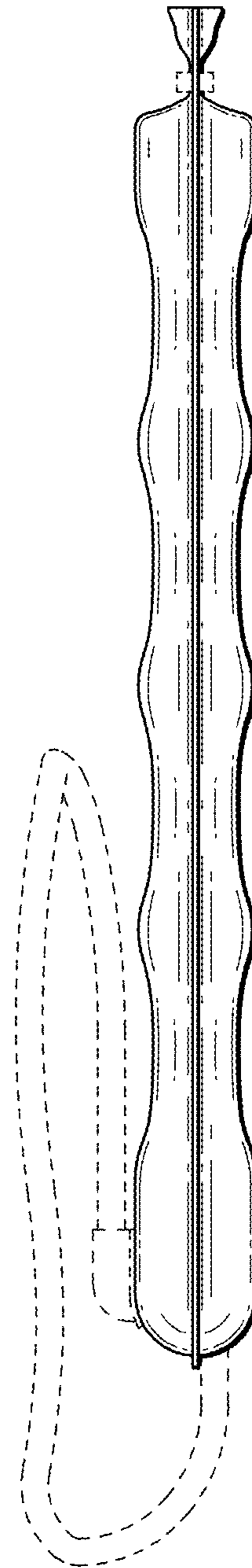


FIG. 5

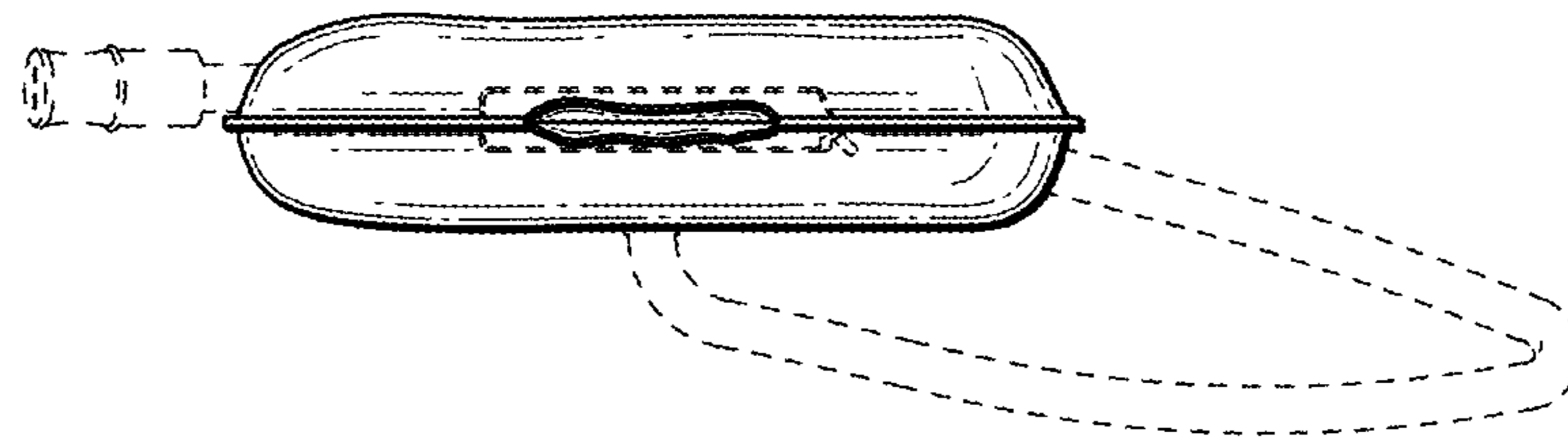


FIG. 6

