



US00D683016S

(12) **United States Design Patent**  
**Mirza et al.**

(10) **Patent No.:** **US D683,016 S**

(45) **Date of Patent:** **\*\* May 21, 2013**

(54) **MEDICAL DEVICE WITH LATERAL APERTURE**

(75) Inventors: **Mahmood Mirza**, North York (CA);  
**Ellen Harfield**, Mississauga (CA); **John Paul Urbanski**, Toronto (CA); **Gareth Davies**, Toronto (CA)

(73) Assignee: **Baylis Medical Company Inc**, Montreal (CA)

(\*\*) Term: **14 Years**

(21) Appl. No.: **29/407,710**

(22) Filed: **Dec. 1, 2011**

(51) **LOC (9) Cl.** ..... **24-02**

(52) **U.S. Cl.**  
USPC ..... **D24/112**

(58) **Field of Classification Search** ..... D24/107-108,  
D24/112, 127, 130, 133; 606/40-41, 184-185;  
604/43, 96.01, 164.01, 164.06, 167.02, 264,  
604/523, 912

See application file for complete search history.

(56) **References Cited**

**U.S. PATENT DOCUMENTS**

390,177 A	9/1888	Lee	
1,922,084 A	8/1933	Gerow	
2,043,630 A *	6/1936	Raiche	604/96.01
2,819,718 A	1/1958	Goldman	
2,936,761 A	5/1960	Snyder	
3,435,827 A *	4/1969	Ericson	604/268

3,539,674 A *	11/1970	Dereniuk et al.	264/130
3,566,874 A	3/1971	Shepherd et al.	
3,593,713 A	7/1971	Bogoff et al.	
4,211,233 A *	7/1980	Lin	604/43
4,863,441 A	9/1989	Lindsay et al.	
5,098,379 A *	3/1992	Conway et al.	604/523
5,147,332 A *	9/1992	Moorehead	604/523
5,482,740 A *	1/1996	Conway et al.	427/2.28
5,536,261 A *	7/1996	Stevens	604/523
D517,694 S *	3/2006	Wilshire et al.	D24/146
7,211,074 B2	5/2007	Sansoucy	

\* cited by examiner

*Primary Examiner* — Wan Laymon

(74) *Attorney, Agent, or Firm* — Nir Lifshitz; Glenn Arnold

(57) **CLAIM**

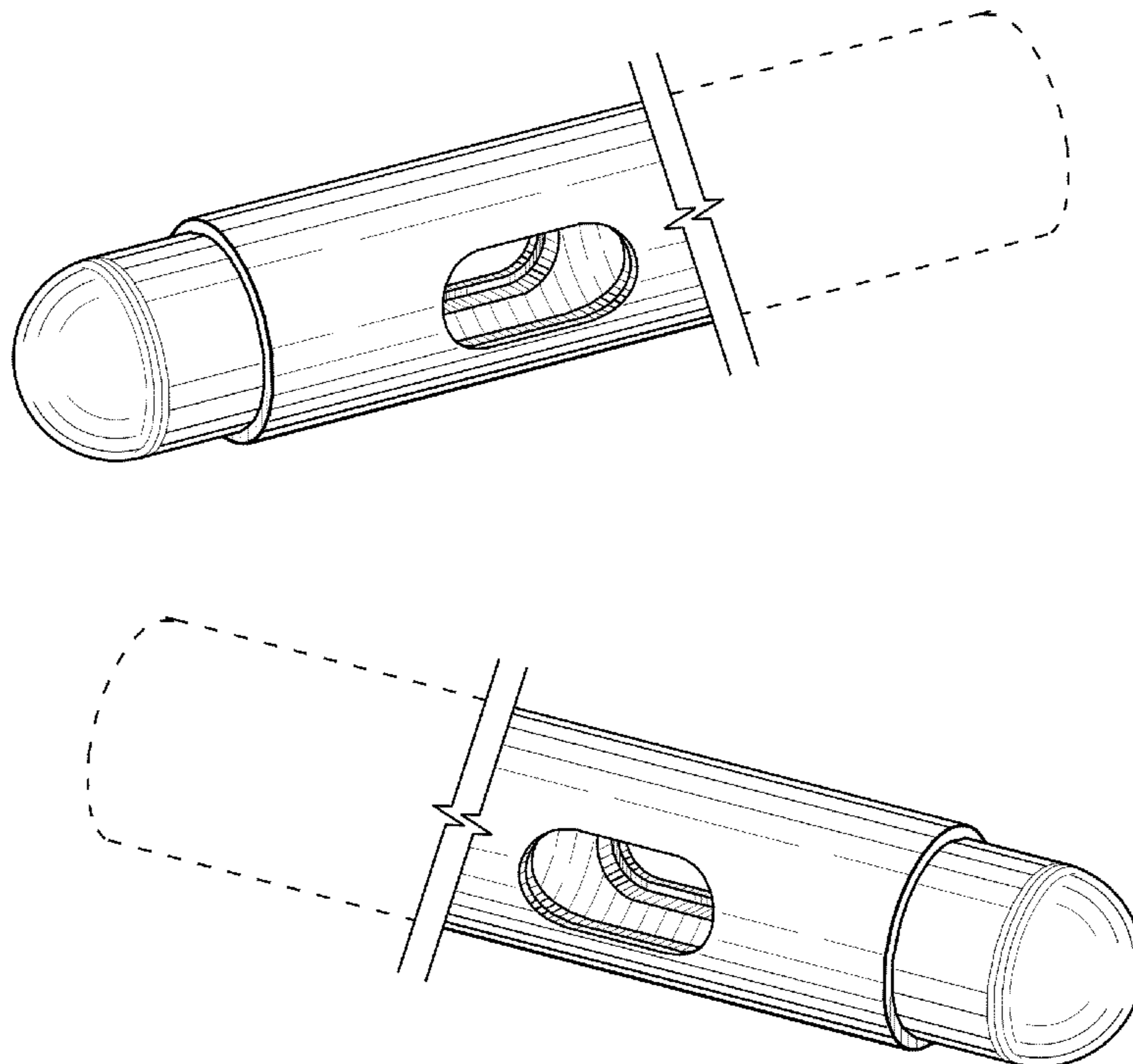
The ornamental design for a medical device with lateral aperture, as shown and described.

**DESCRIPTION**

FIG. 1 is a right perspective view of a medical device with lateral aperture, showing our new design;  
FIG. 2 is a left perspective view of the device of FIG. 1;  
FIG. 3 is a right side view of the device of FIG. 1;  
FIG. 4 is a top side view of the device of FIG. 1;  
FIG. 5 is a bottom side view of the device of FIG. 1;  
FIG. 6 is a left side view of the device of FIG. 1;  
FIG. 7 is a front side view of the device of FIG. 1; and,  
FIG. 8 is a rear side view of the device of FIG. 1.

The broken lines in the drawings represent unclaimed environmental subject matter. The break lines indicate that the medical device is of indeterminate length.

**1 Claim, 2 Drawing Sheets**



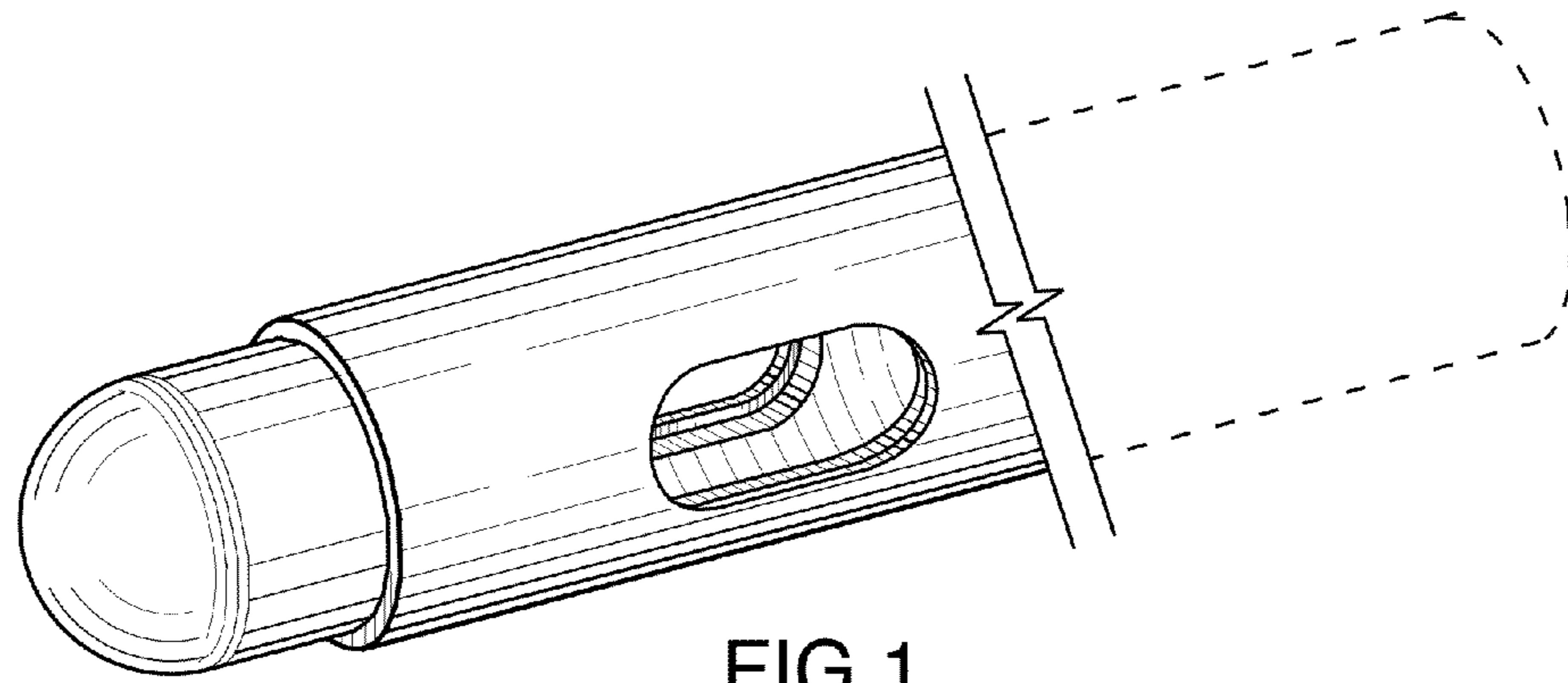


FIG.1

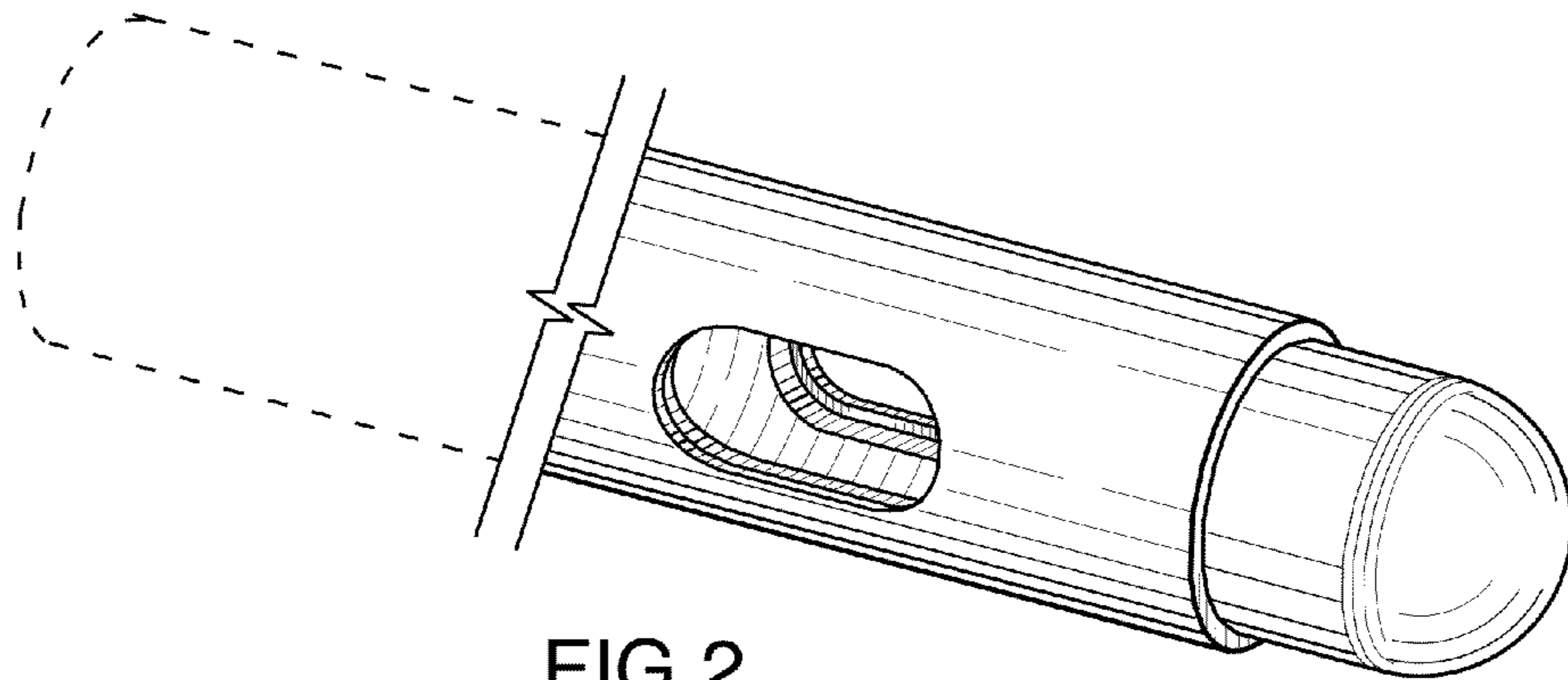


FIG.2

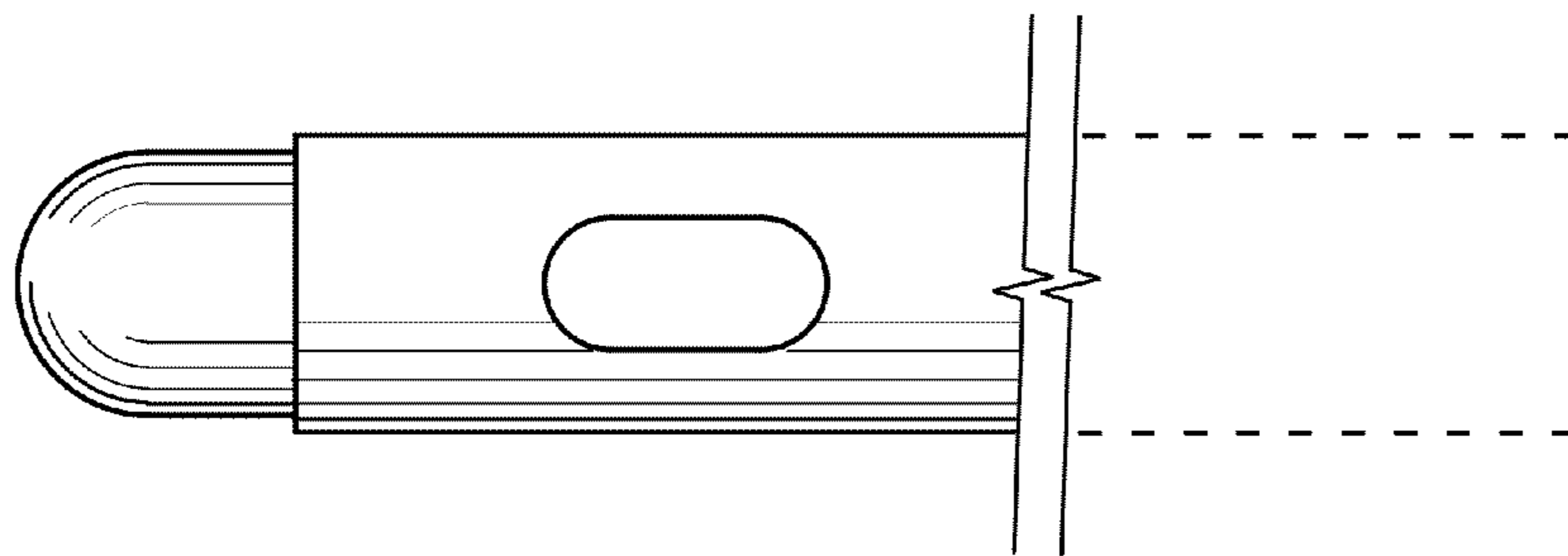


FIG.3

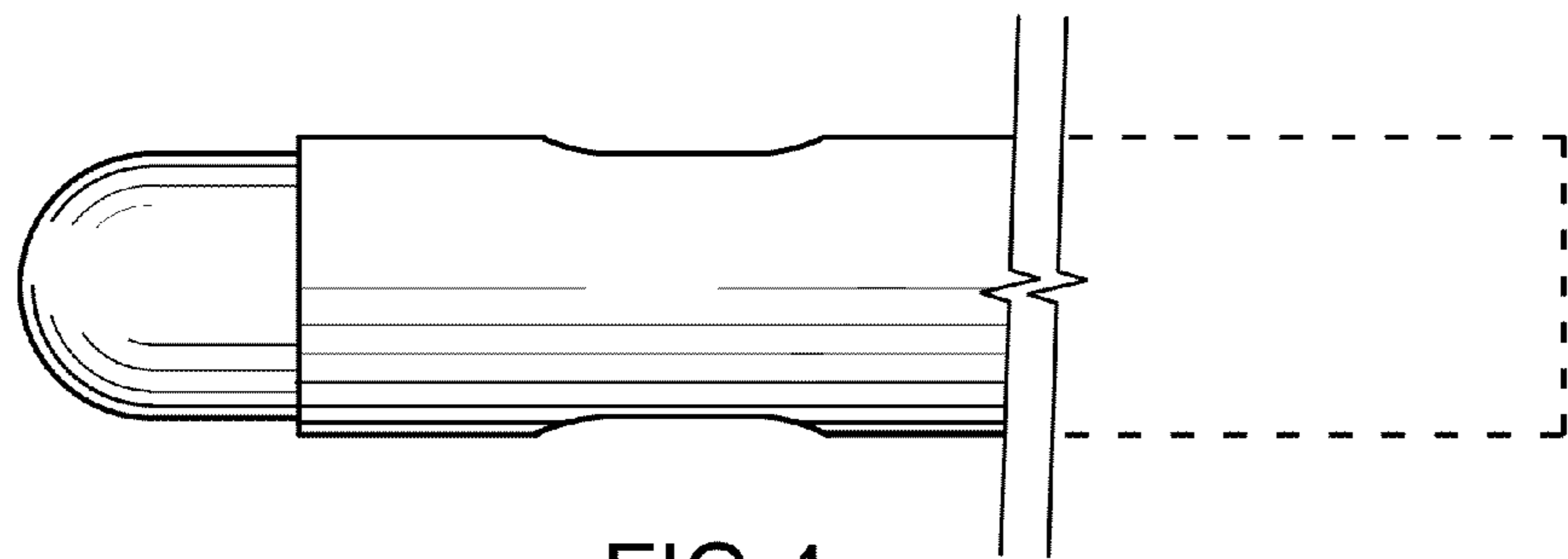


FIG.4

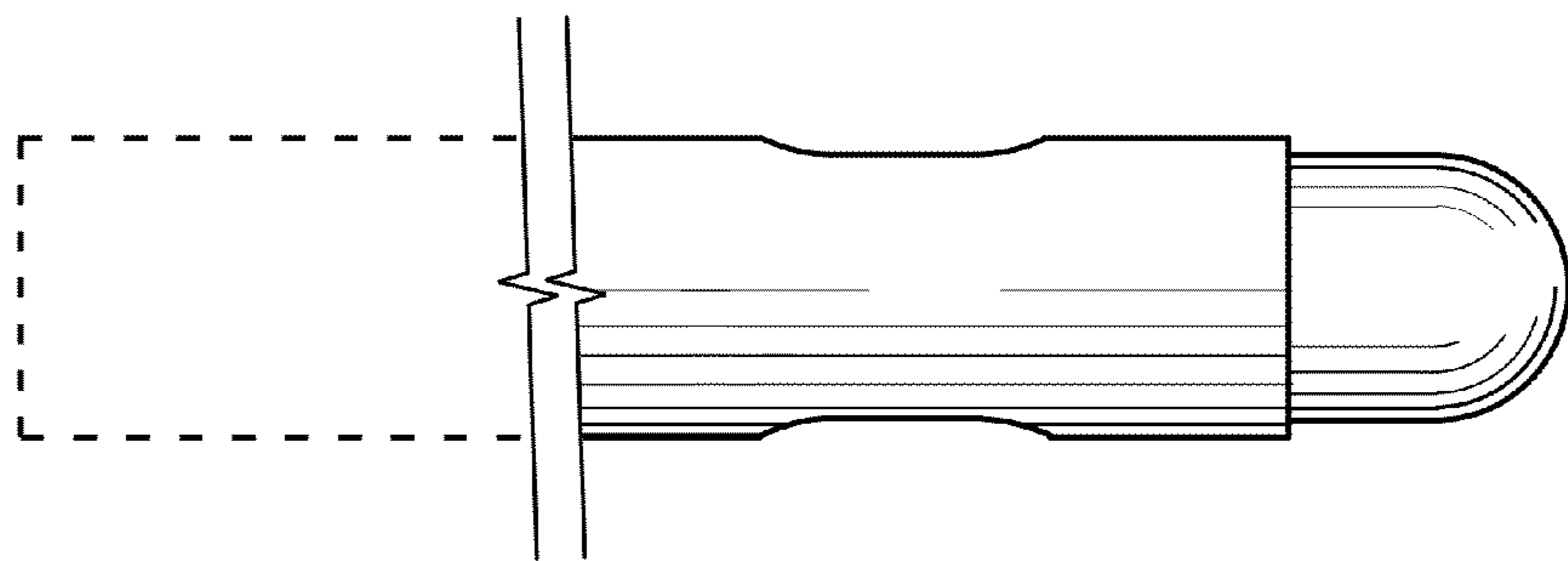


FIG.5

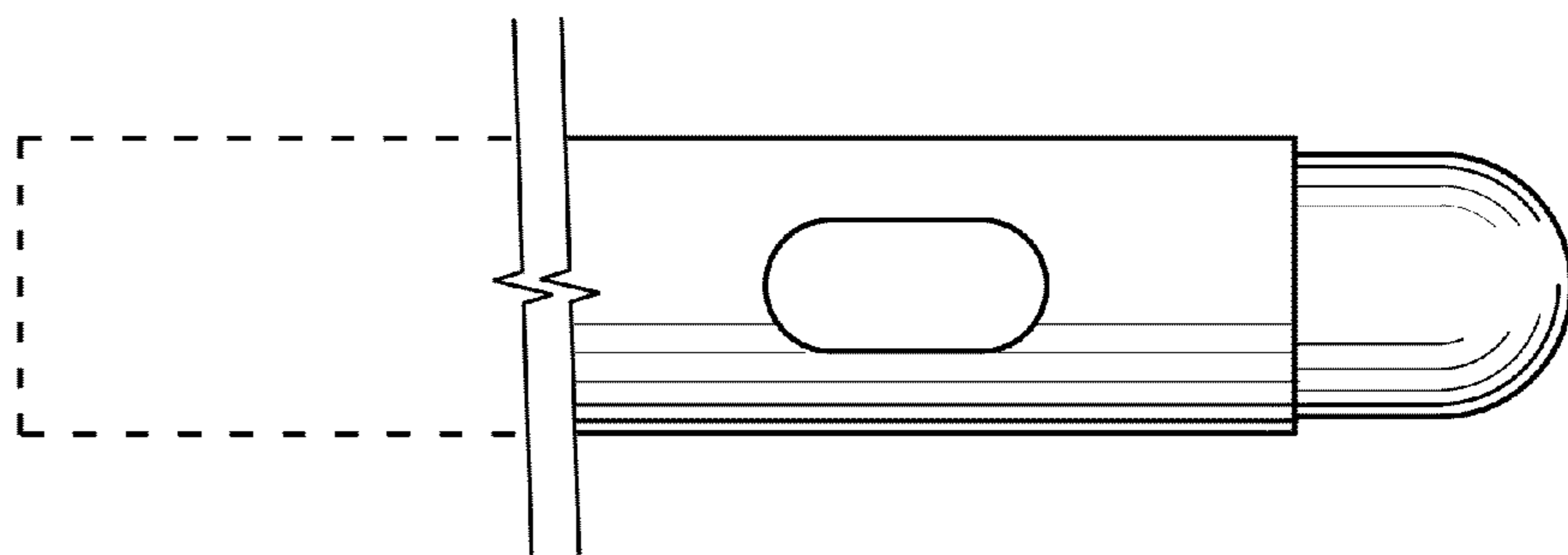


FIG.6

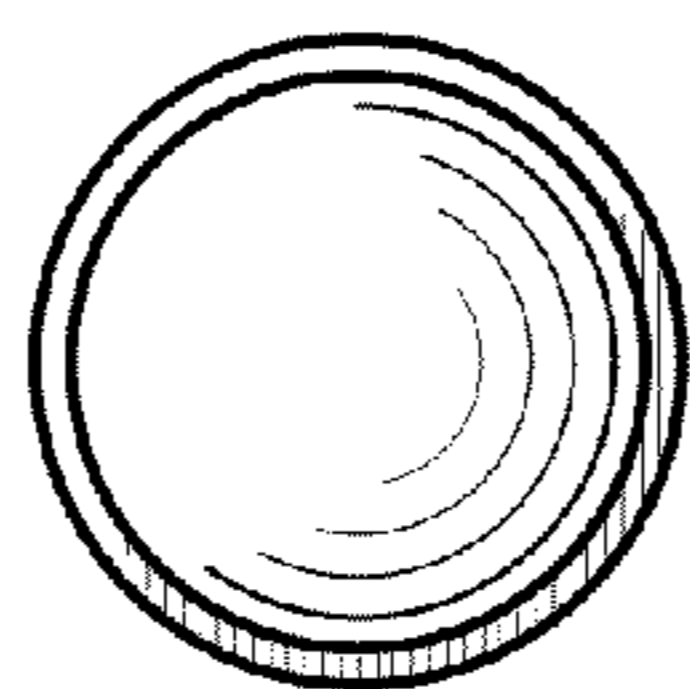


FIG.7

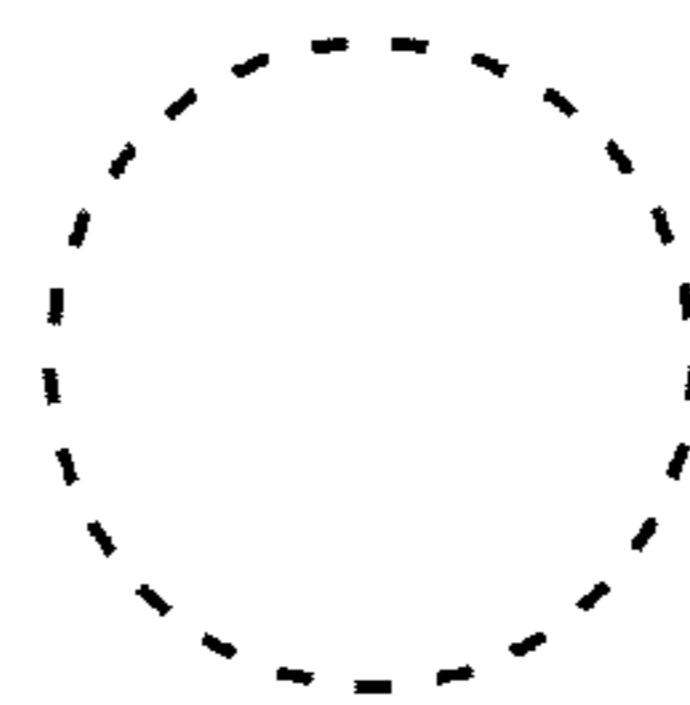


FIG.8