



US00D683015S

(12) **United States Design Patent**  
**Zisser**

(10) **Patent No.:** **US D683,015 S**

(45) **Date of Patent:** **\*\* May 21, 2013**

(54) **NASAL INHALER**

(75) Inventor: **Michael Zisser**, Berlin (DE)

(73) Assignee: **Rhinofilt GmbH**, Berlin (DE)

(\*\*) Term: **14 Years**

(21) Appl. No.: **29/426,144**

(22) Filed: **Jun. 30, 2012**

(30) **Foreign Application Priority Data**

Mar. 6, 2012 (EM) ..... 002003954-0001

(51) **LOC (9) Cl.** ..... **29-02**

(52) **U.S. Cl.**  
USPC ..... **D24/110.5**; D24/106; D24/110

(58) **Field of Classification Search** ..... D24/106,  
D24/110, 110.5, 124, 164; 128/200.24, 203.15,  
128/204.12, 206.11, 207.15, 207.18; 604/94.01;  
606/151, 199, 204.45

See application file for complete search history.

(56) **References Cited**

**U.S. PATENT DOCUMENTS**

4,265,236 A \* 5/1981 Pacella ..... 128/203.23  
5,477,852 A \* 12/1995 Landis et al. .... 128/207.18  
D375,552 S \* 11/1996 Davi ..... D24/106  
5,850,834 A \* 12/1998 Yoshida et al. .... 128/204.12

6,648,848 B1 \* 11/2003 Keldmann et al. .... 604/57  
D608,441 S \* 1/2010 Scharlott ..... D24/106  
7,661,425 B2 \* 2/2010 Keldmann et al. .... 128/203.15  
D616,559 S \* 5/2010 Boyer ..... D24/200  
D645,136 S \* 9/2011 Rosati ..... D24/106  
8,051,850 B2 \* 11/2011 Kwok et al. .... 128/200.24  
2006/0085027 A1 \* 4/2006 Santin et al. .... 606/199

\* cited by examiner

*Primary Examiner* — Ian Simmons

*Assistant Examiner* — Richelle Shelton

(74) *Attorney, Agent, or Firm* — Smartpat PLC; Axel Nix

(57) **CLAIM**

I claim the ornamental design for a nasal inhaler, as shown and described.

**DESCRIPTION**

FIG. 1 is a perspective view of a nasal inhaler showing my new design;

FIG. 2 is a front view thereof, the rear view being identical;

FIG. 3 is a right side view thereof, the left side view being identical;

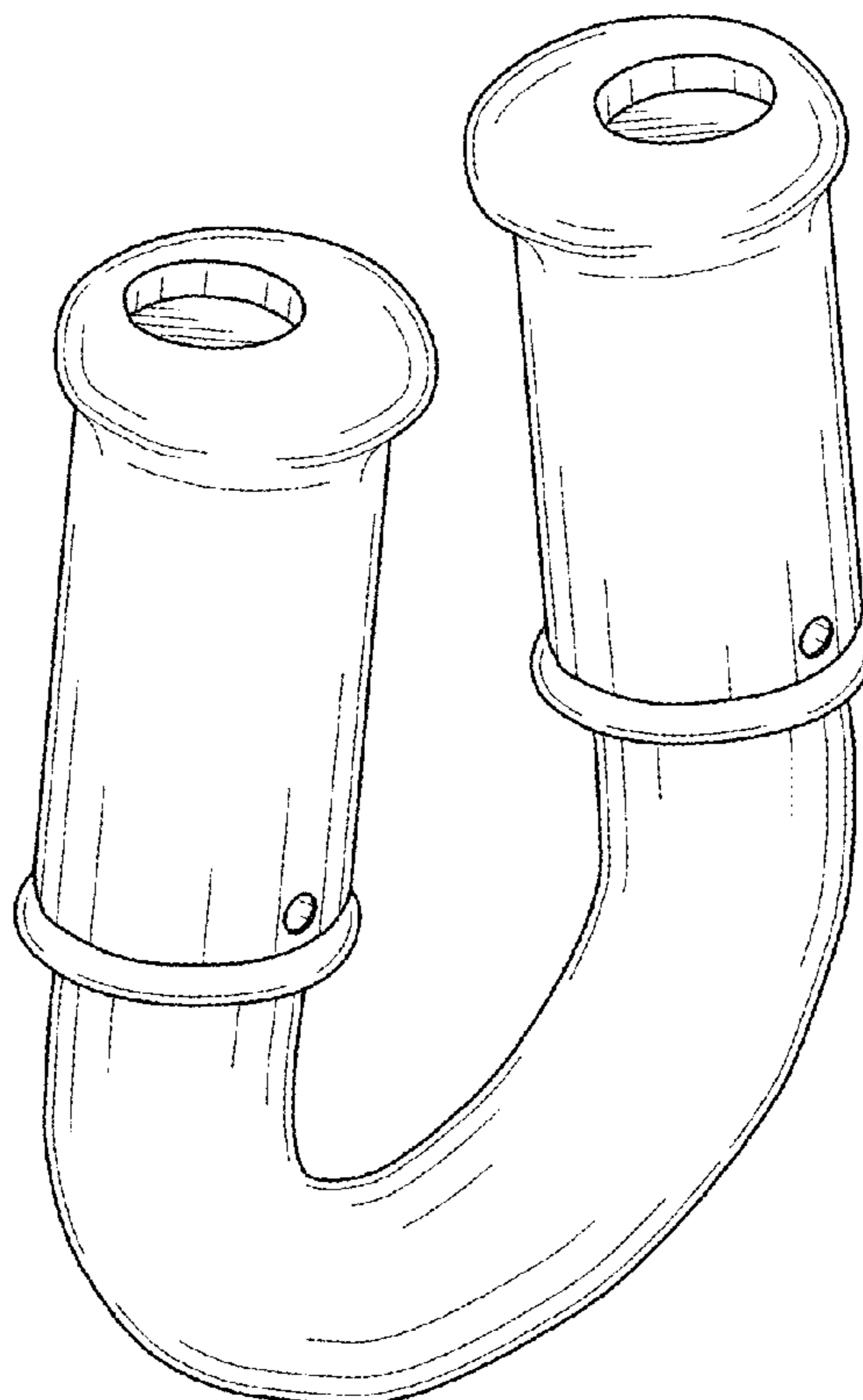
FIG. 4 is a top view thereof;

FIG. 5 is a bottom view thereof;

FIG. 6 is a cross sectional view along line 6-6 of FIG. 4; and,

FIG. 7 is a cross sectional view along line 7-7 of FIG. 4.

**1 Claim, 3 Drawing Sheets**



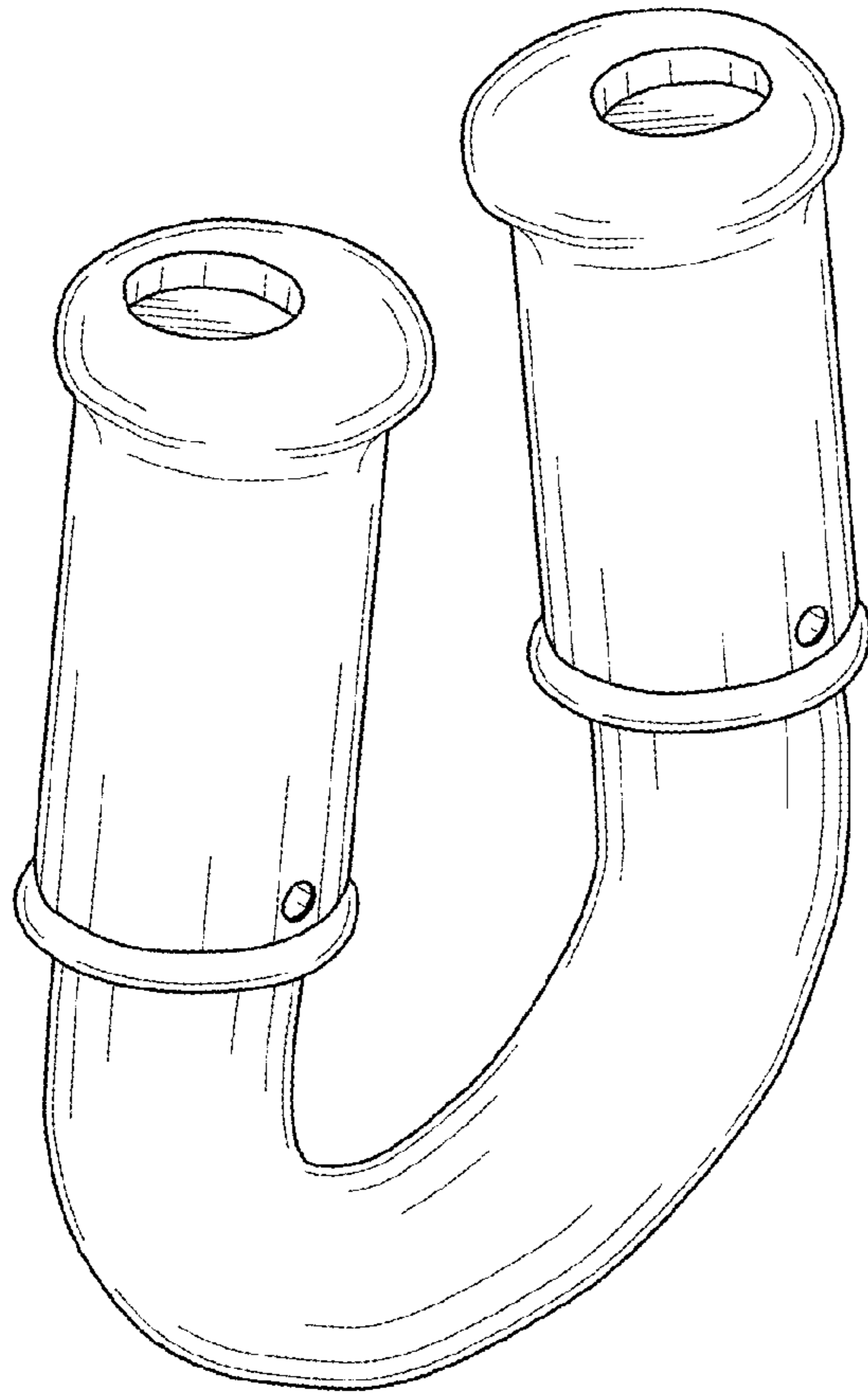


FIG. 1

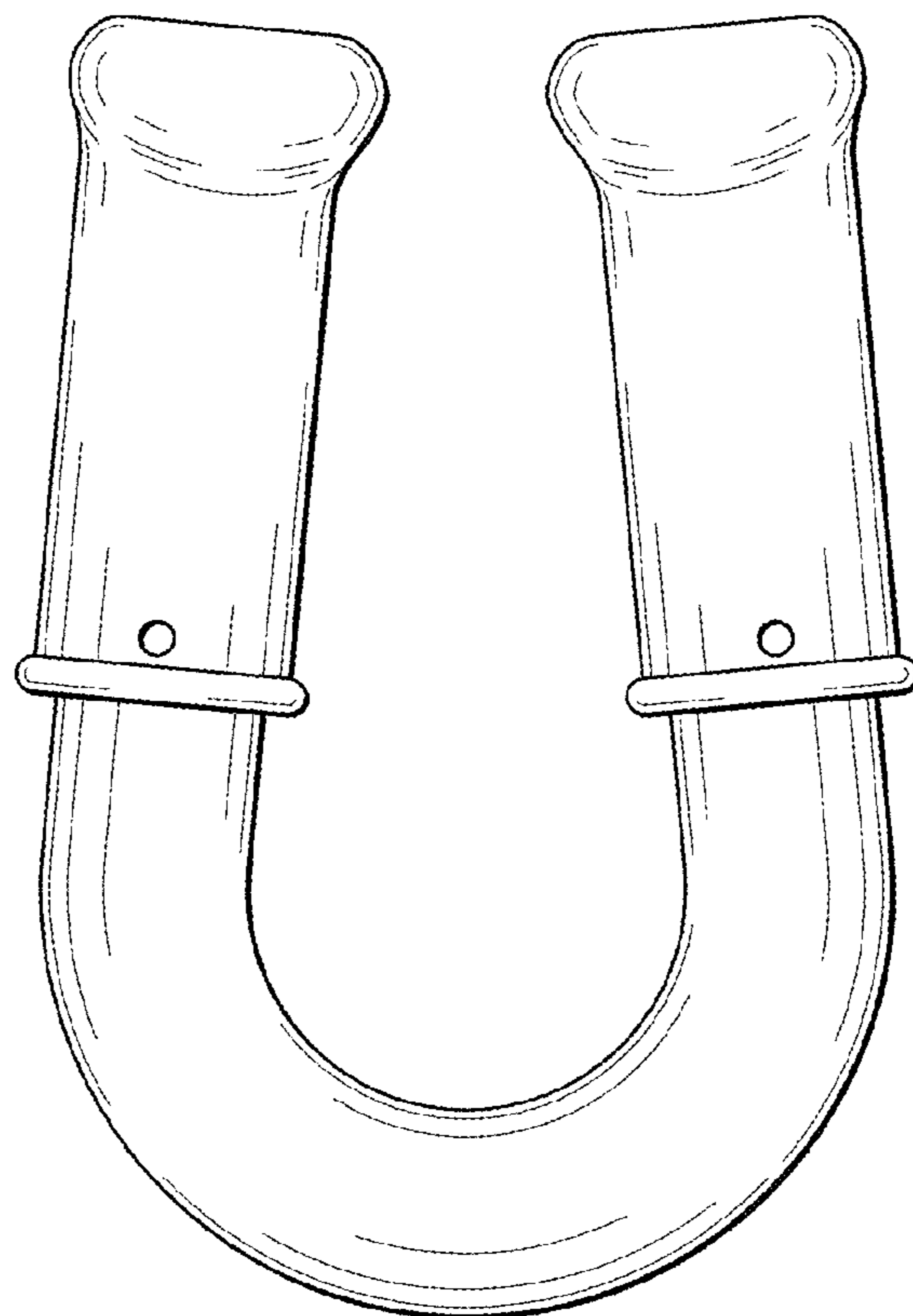


FIG. 2

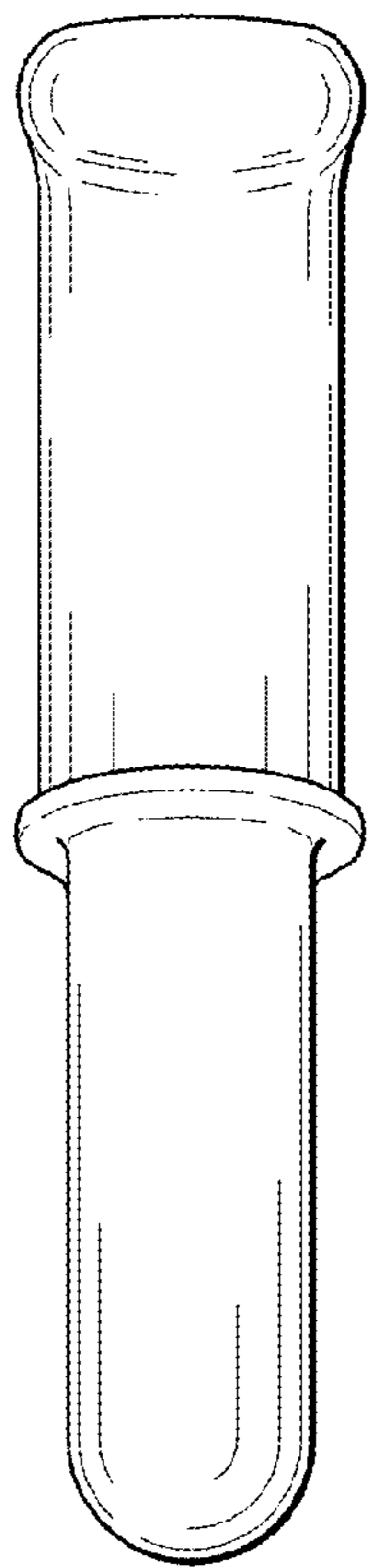


FIG. 3

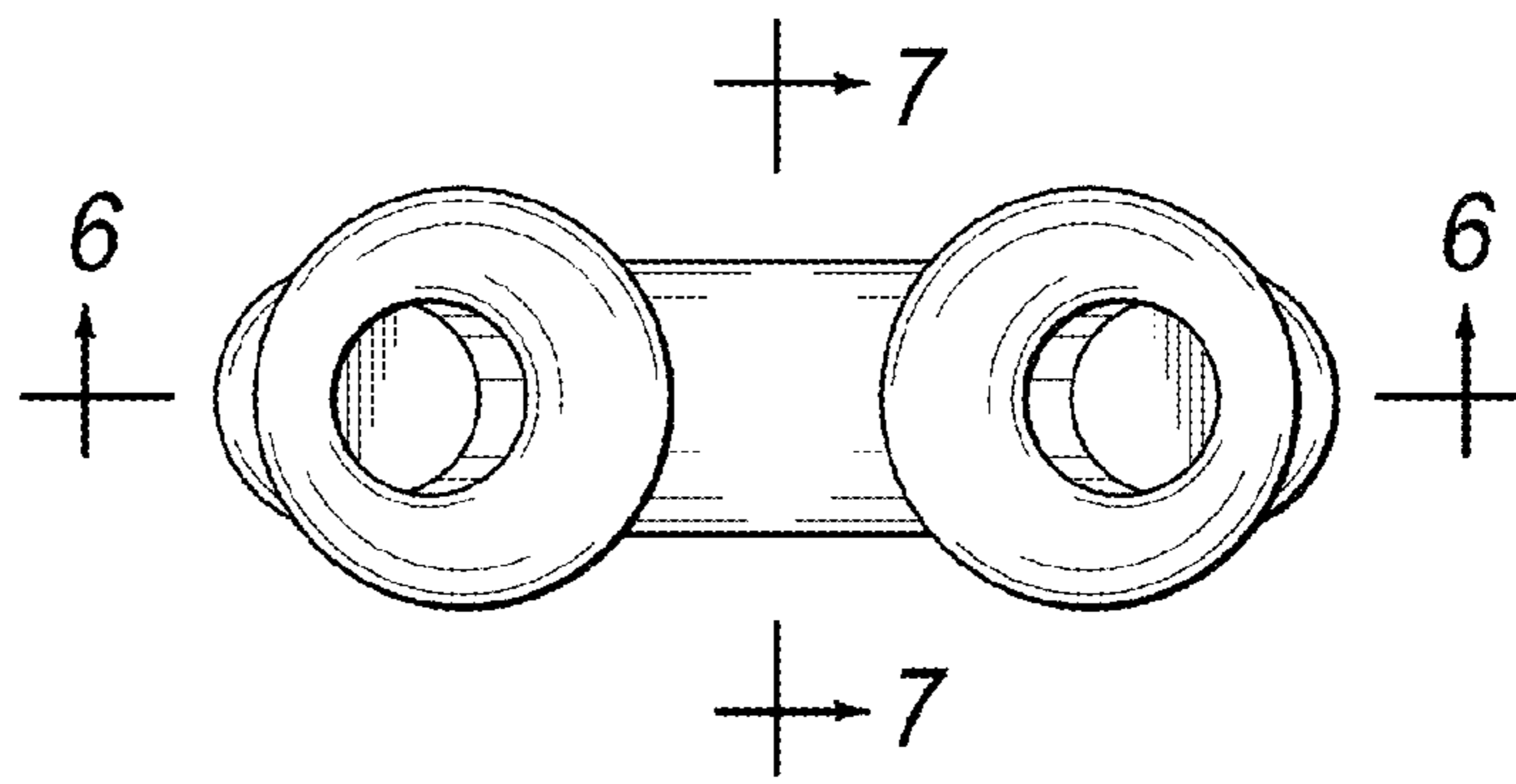


FIG. 4

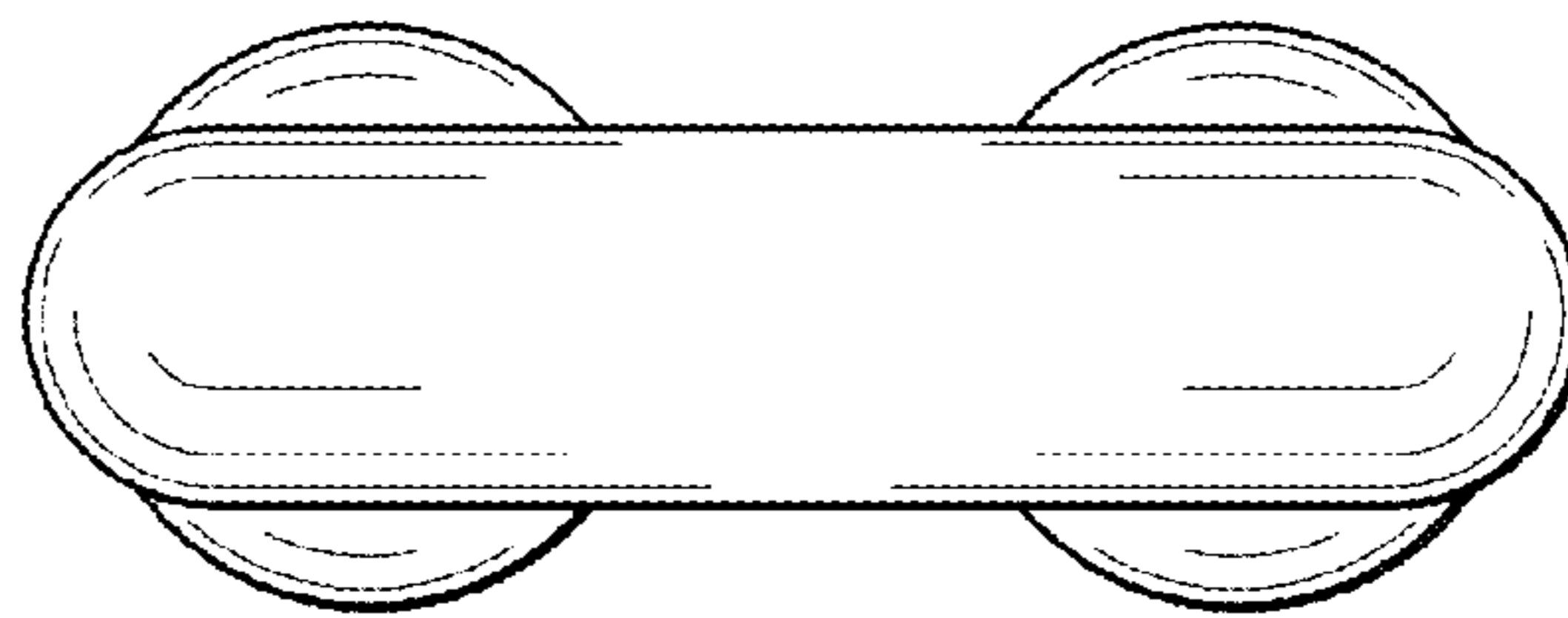
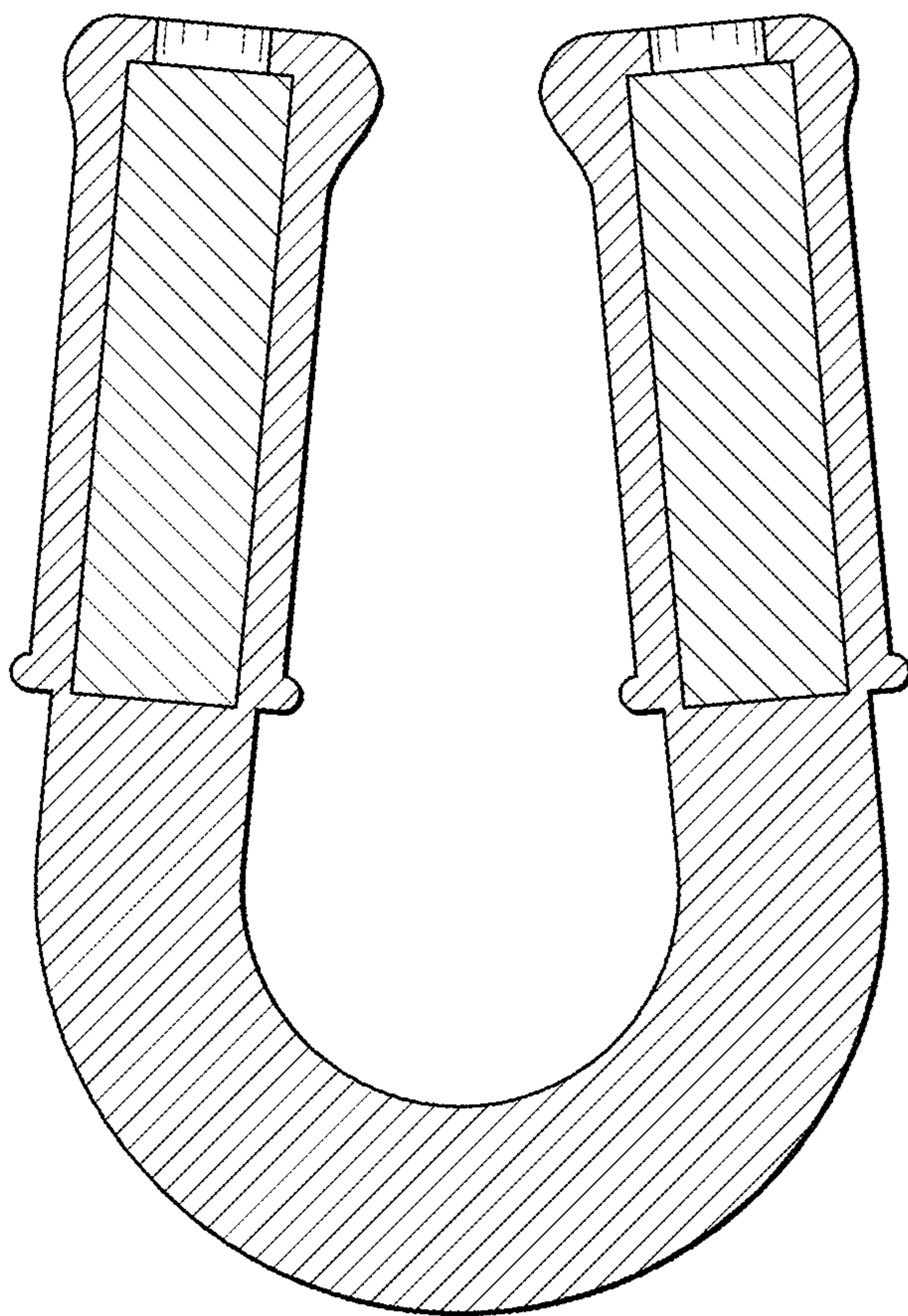
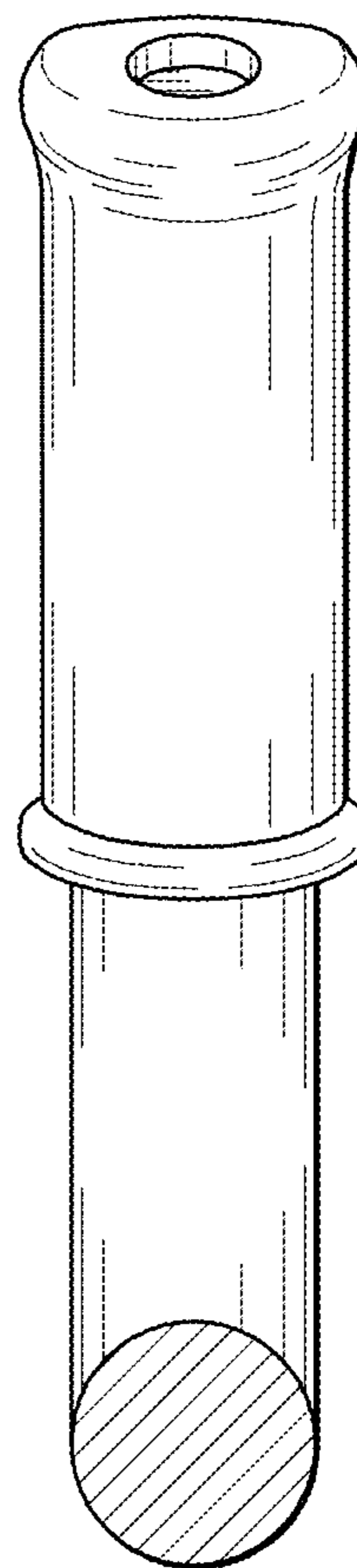


FIG. 5



*FIG. 6*



*FIG. 7*