



US00D683014S

(12) **United States Design Patent**
Hu et al.

(10) **Patent No.:** **US D683,014 S**
(45) **Date of Patent:** **** May 21, 2013**

(54) **POWERED AIR PURIFYING RESPIRATOR
(PAPR) BLOWER HAVING ATTACHMENT
BOSSES**

D646,379 S 10/2011 Huh
2007/0278168 A1* 12/2007 Li 211/94.01
2009/0314295 A1 12/2009 Hatmaker
2010/0163698 A1* 7/2010 Yeh et al. 248/220.31
2011/0126713 A1* 6/2011 Legare et al. 96/135

(75) Inventors: **Jia Hu**, Mounds View, MN (US);
Nathan A. Abel, Minneapolis, MN (US);
Kenneth J. Krepel, North St. Paul, MN
(US); **John M. Pilgrim**, Woodbury, MN
(US)

(73) Assignee: **3M Innovative Properties Company**,
St. Paul, MN (US)

(**) Term: **14 Years**

(21) Appl. No.: **29/413,400**

(22) Filed: **Feb. 15, 2012**

(51) **LOC (9) Cl.** **29-02**

(52) **U.S. Cl.**
USPC **D24/110; D24/128**

(58) **Field of Classification Search** D24/110,
D24/164, 127, 128; D6/553; D8/373, 374,
D8/382-384; D23/364, 383, 385; 211/85.13,
211/94.01, 106.01; 248/221.11, 222.13,
248/447.1; 128/204.18

See application file for complete search history.

(56) **References Cited**

U.S. PATENT DOCUMENTS

1,093,033	A *	4/1914	Canby	211/73
D56,016	S *	8/1920	Mertz	D8/383
D56,017	S *	8/1920	Mertz	D8/383
D56,018	S *	8/1920	Mertz	D8/383
1,937,424	A *	11/1933	Champlin	248/37.6
D267,453	S *	1/1983	Kipperman	D6/526
4,389,635	A	6/1983	Gallagher		
D286,721	S *	11/1986	Hagedorn et al.	D6/553
4,899,740	A	2/1990	Napolitano		
D632,375	S	2/2011	Curran		
7,921,615	B2 *	4/2011	Picchio	52/238.1

OTHER PUBLICATIONS

U.S. Appl. No. 29/413,397 to Abel et al., filed Feb. 15, 2012, entitled
*Powered Air Purifying Respirator (PAPR) Blower Having Stylized
Top.*

U.S. Appl. No. 29/413,398 to Abel et al., filed Feb. 15, 2012, entitled
*Powered Air Purifying Respirator (PAPR) Blower Having Stylized
Bottom.*

(Continued)

Primary Examiner — Ian Simmons

Assistant Examiner — Richelle Shelton

(74) *Attorney, Agent, or Firm* — Eric D. Levinson

(57) **CLAIM**

The ornamental design for a powered air purifying respirator
(PAPR) blower having attachment bosses, as shown and
described.

DESCRIPTION

FIG. 1 is a rear perspective view showing the new design for
a powered air purifying respirator (PAPR) blower having
attachment bosses;

FIG. 2 is a front view thereof;

FIG. 3 is a back view thereof;

FIG. 4 is a top view thereof;

FIG. 5 is a bottom view thereof;

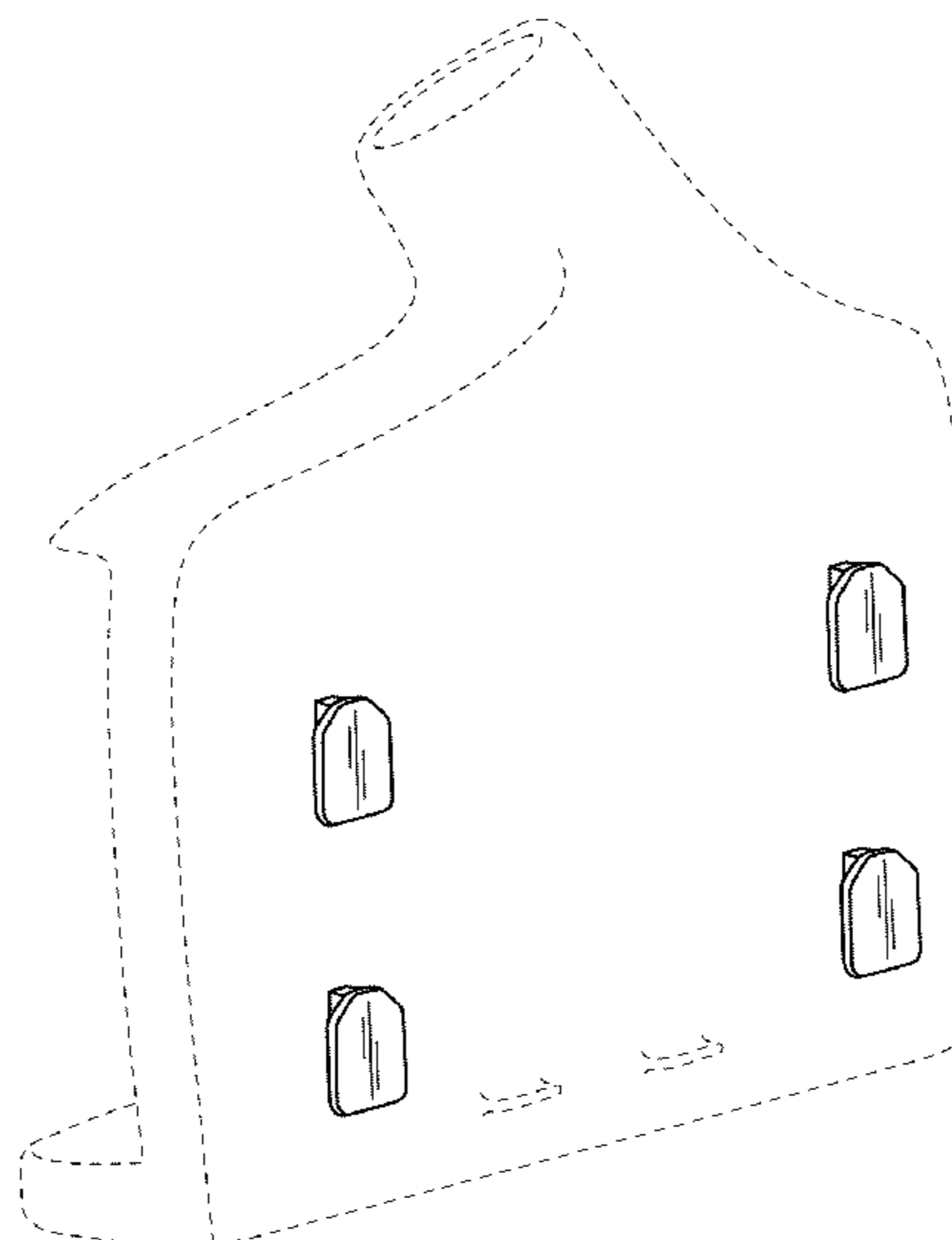
FIG. 6 is a left view thereof; and,

FIG. 7 is a right view thereof.

The broken line showing of portions of the article is included
for the purpose of illustrating environmental structure and
forms no part of the claimed design.

The shading is provided to illustrate contour only and is not an
indication of surface texture.

1 Claim, 3 Drawing Sheets



OTHER PUBLICATIONS

U.S. Appl. No. 29/413,401 to Dwyer et al., filed Feb. 15, 2012, entitled *Small Filter Cover for Powered Air Purifying Respirator (PAPR)*.

U.S. Appl. No. 29/413,404 to Dwyer et al., filed Feb. 15, 2012, entitled *Large Filter Cover for Powered Air Purifying Respirator (PAPR)*.

U.S. Appl. No. 29/413,408 to Abel et al., filed Feb. 15, 2012, entitled *Filter Cover for Powered Air Purifying Respirator (PAPR) Having Stylized Groove*.

U.S. Appl. No. 29/413,423 to Abel et al., filed Feb. 15, 2012, entitled *Powered Air Purifying Respirator (PAPR) Having Control Panel*.

U.S. Appl. No. 29/413,385 to Krepel et al., filed Feb. 15, 2012, entitled *Respirator Belt Having Attachment Slot*.

U.S. Appl. No. 29/413,386 to Krepel et al., filed Feb. 15, 2012, entitled *Respirator Belt Having Array of Attachment Slots*.

U.S. Appl. No. 13/396,839 to Krepel et al., filed Feb. 15, 2012, entitled *Interlock System for a Respirator Waist Belt*.

U.S. Appl. No. 13/396,858, to Hu et al., filed Feb. 15, 2012, entitled *Respirator Waist Belt*.

Miller PAPR webpage obtained from internet on Feb. 20, 2012 http://www.millerwelds.com/products/welding_protection/filtration/papr/.

* cited by examiner

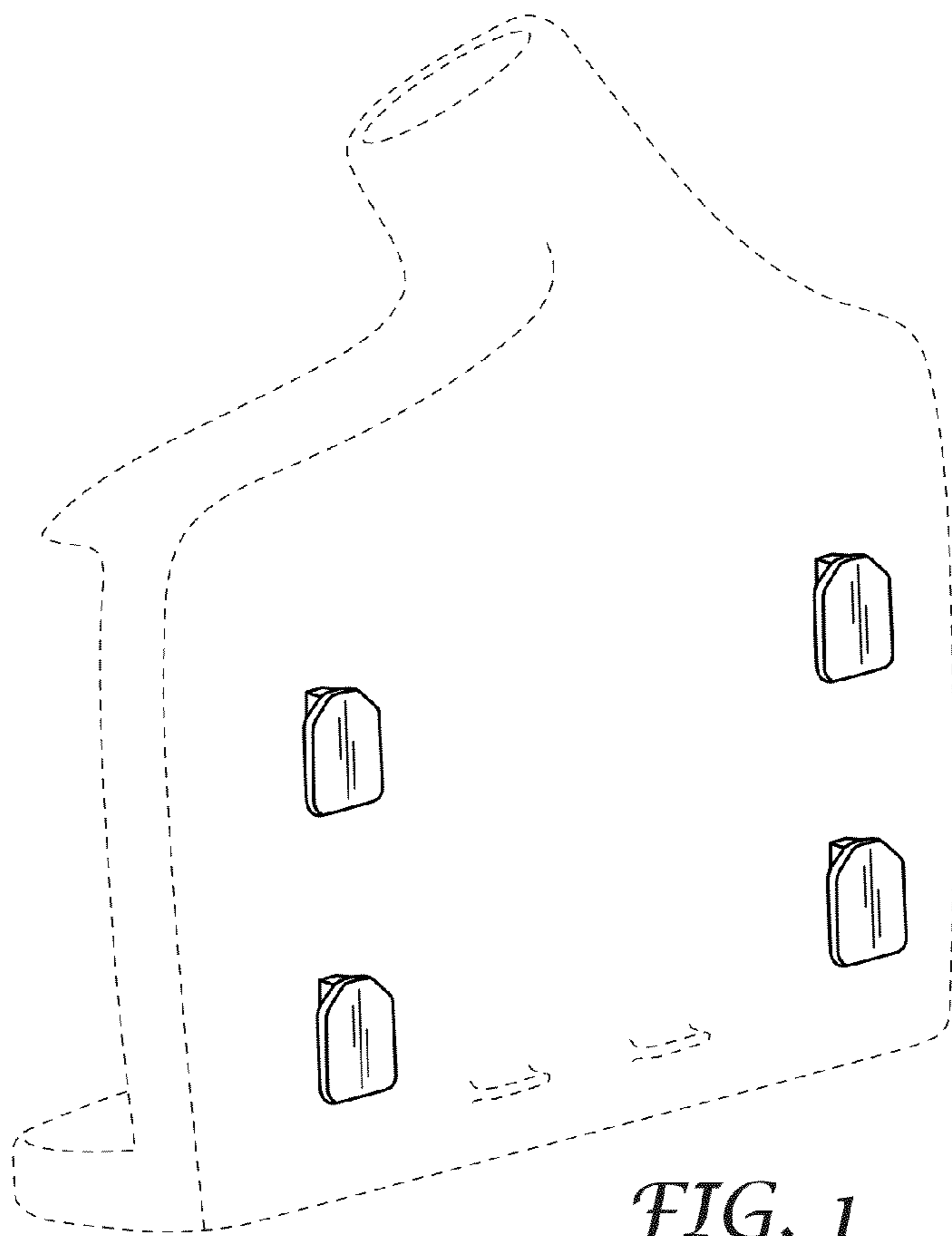


FIG. 1

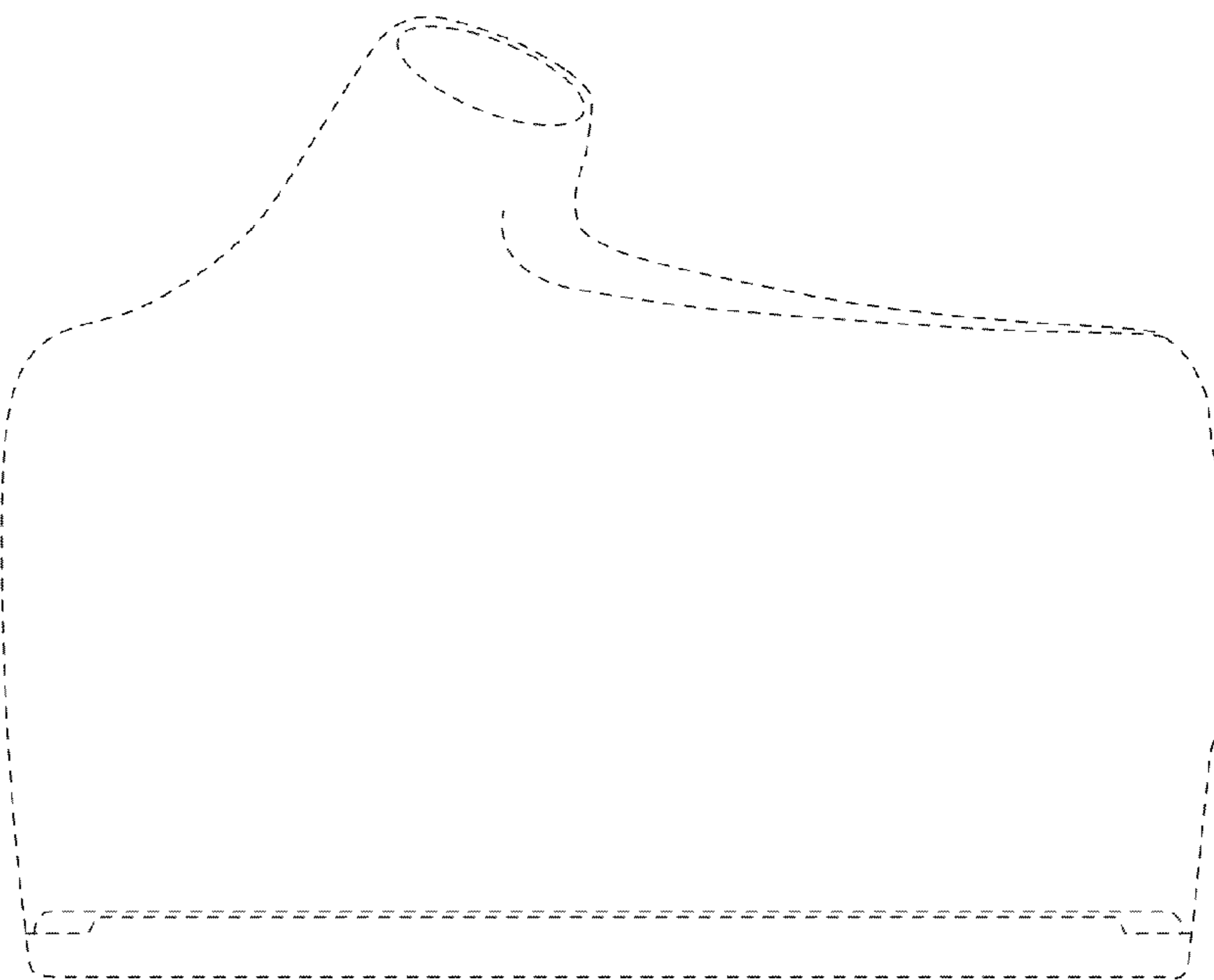


FIG. 2

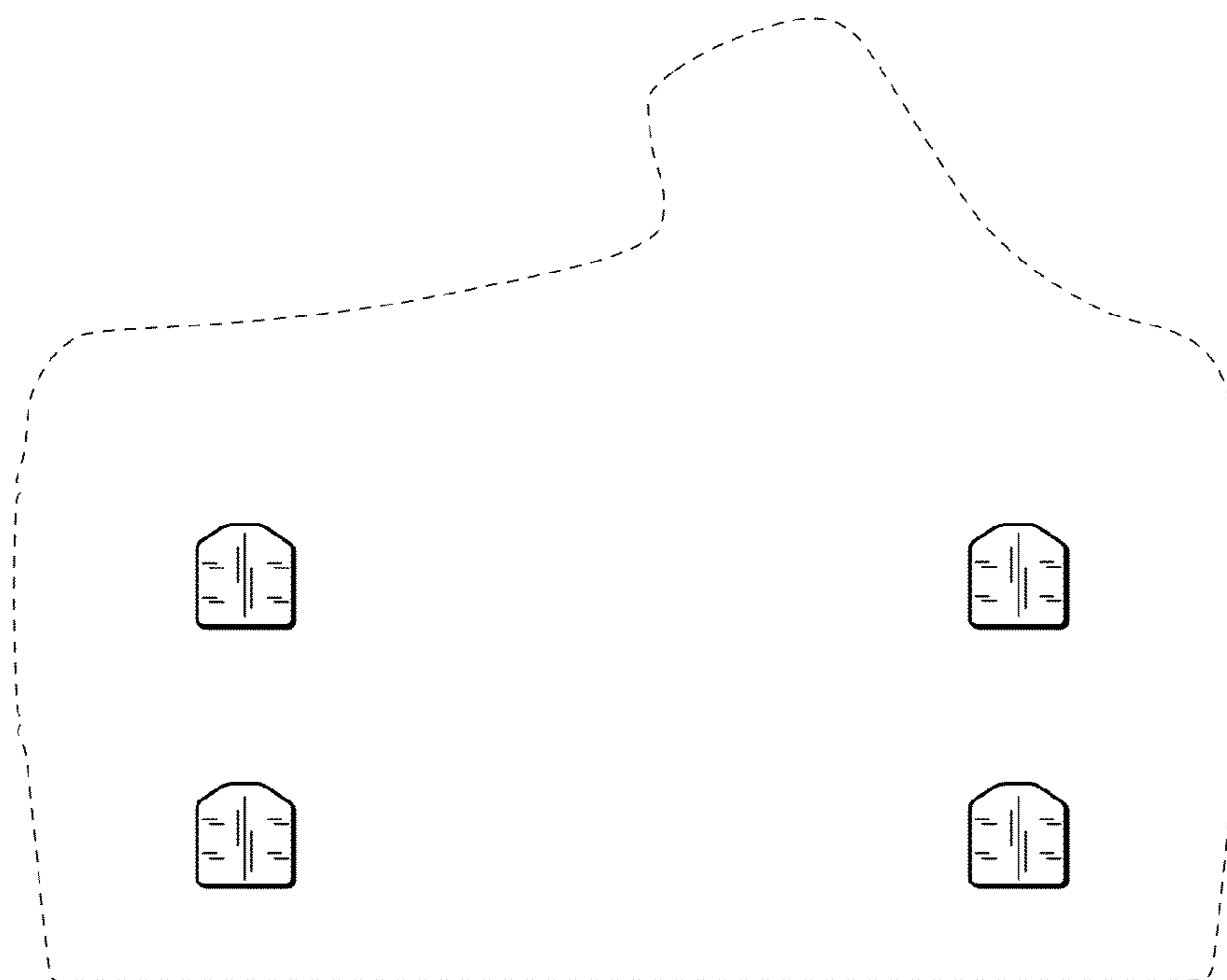


FIG. 3

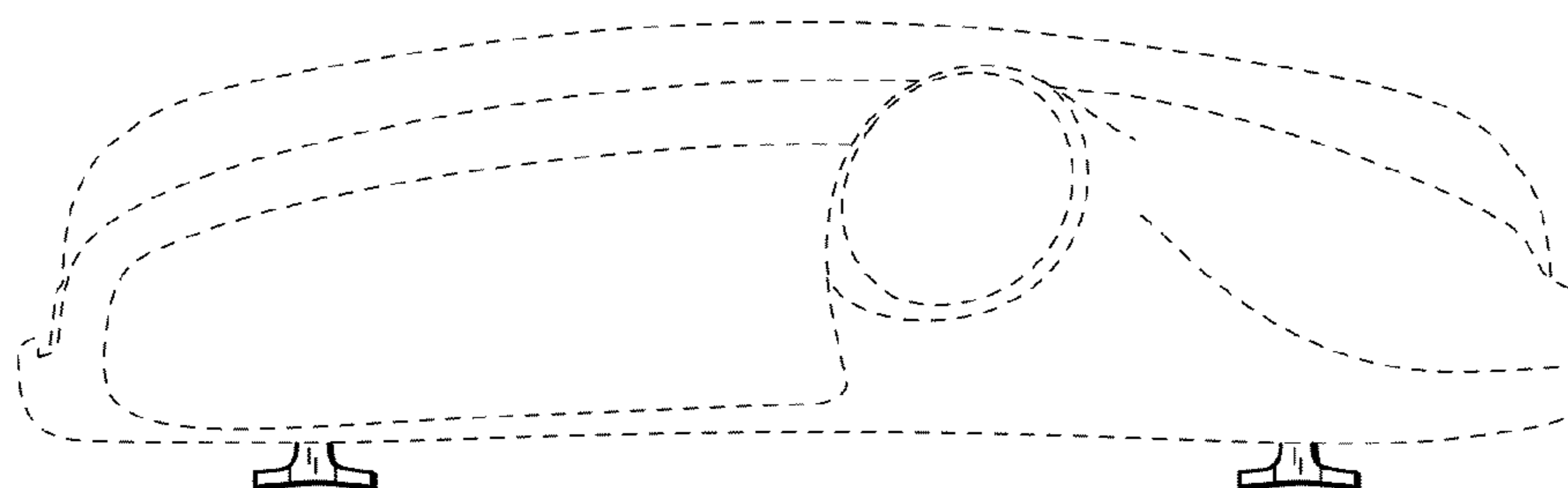


FIG. 4

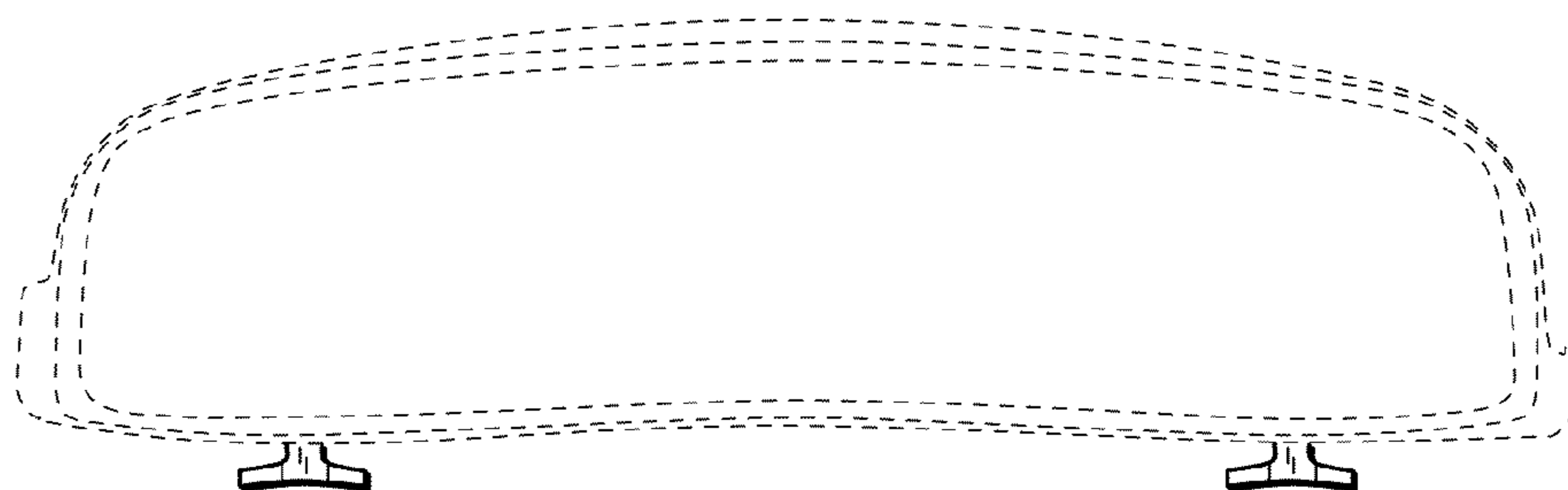


FIG. 5

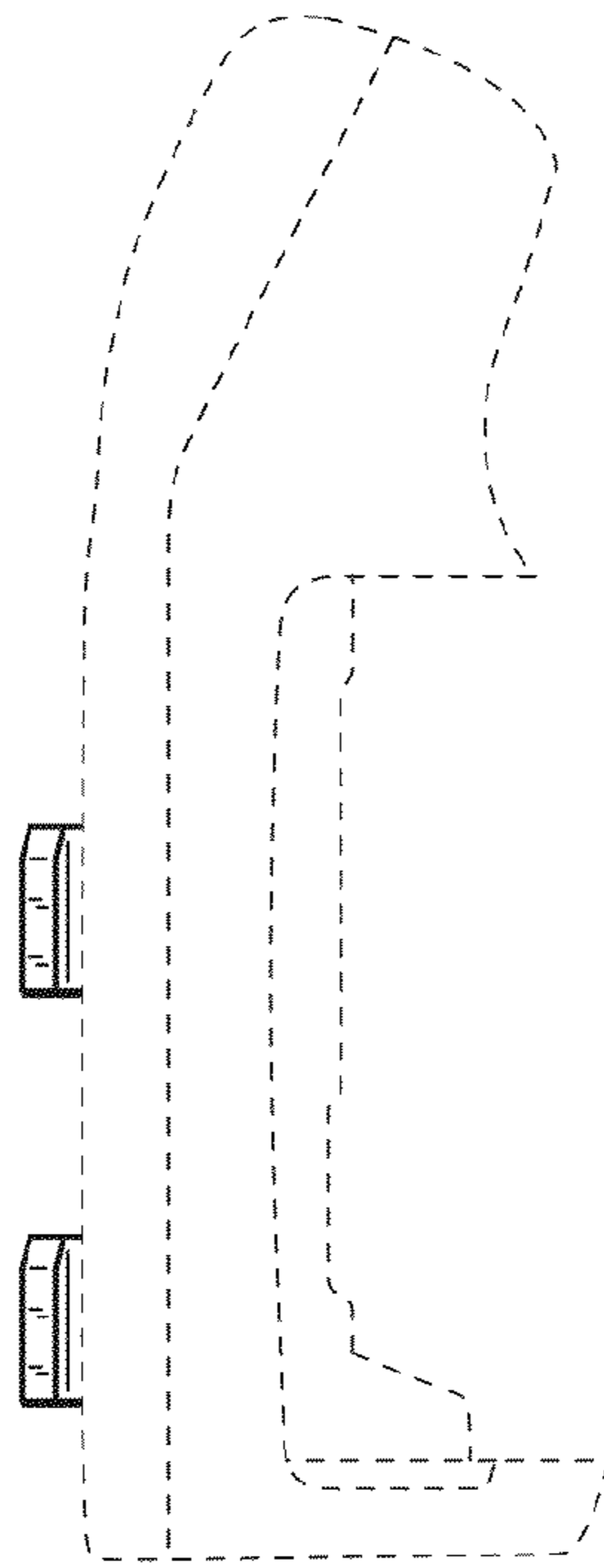


FIG. 6

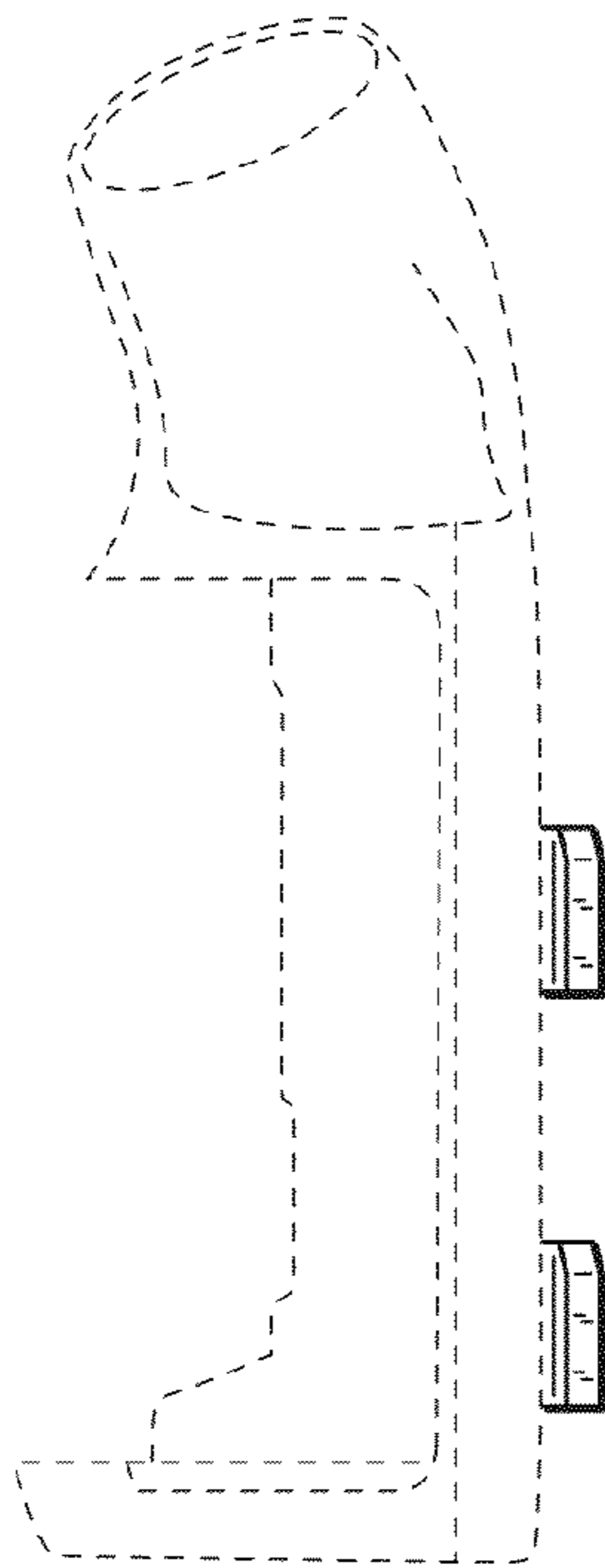


FIG. 7